



US00D786150S

(12) **United States Design Patent** (10) **Patent No.:** **US D786,150 S**  
**Carter et al.** (45) **Date of Patent:** **\*\* May 9, 2017**

(54) **AUTOMOBILE FRONT BUMPER**  
(71) Applicant: **Jaguar Land Rover Limited**, Whitley, Coventry (GB)  
(72) Inventors: **Richard Carter**, Coventry (GB); **Andrew Webber**, Coventry (GB)  
(73) Assignee: **Jaguar Land Rover Limited**, Whitley, Coventry (GB)

(\*\*) Term: **15 Years**  
(21) Appl. No.: **29/545,916**  
(22) Filed: **Nov. 17, 2015**

(30) **Foreign Application Priority Data**  
Jun. 15, 2015 (EM) ..... 002719302  
(51) **LOC (10) Cl.** ..... **12-16**  
(52) **U.S. Cl.**  
USPC ..... **D12/169**  
(58) **Field of Classification Search**  
USPC ..... D12/86, 90, 91, 92, 163, 164, 169, 171, D12/196, 216; 180/68.4, 68.6; 293/102, 293/112, 113, 115, 117, 120; 296/180.1, 296/180.2  
CPC ..... B60R 19/02; B60R 19/18; B60R 19/24; B60R 19/56; B60R 2019/007  
See application file for complete search history.

(56) **References Cited**  
U.S. PATENT DOCUMENTS  
D581,325 S \* 11/2008 Zheng ..... D12/169  
D585,344 S \* 1/2009 Tomita ..... D12/169  
D640,614 S \* 6/2011 Kumai ..... D12/169  
D643,350 S \* 8/2011 Furst ..... D12/169  
D660,205 S \* 5/2012 Hotta ..... D12/169  
D667,353 S \* 9/2012 Tomatsu ..... D12/169

(Continued)

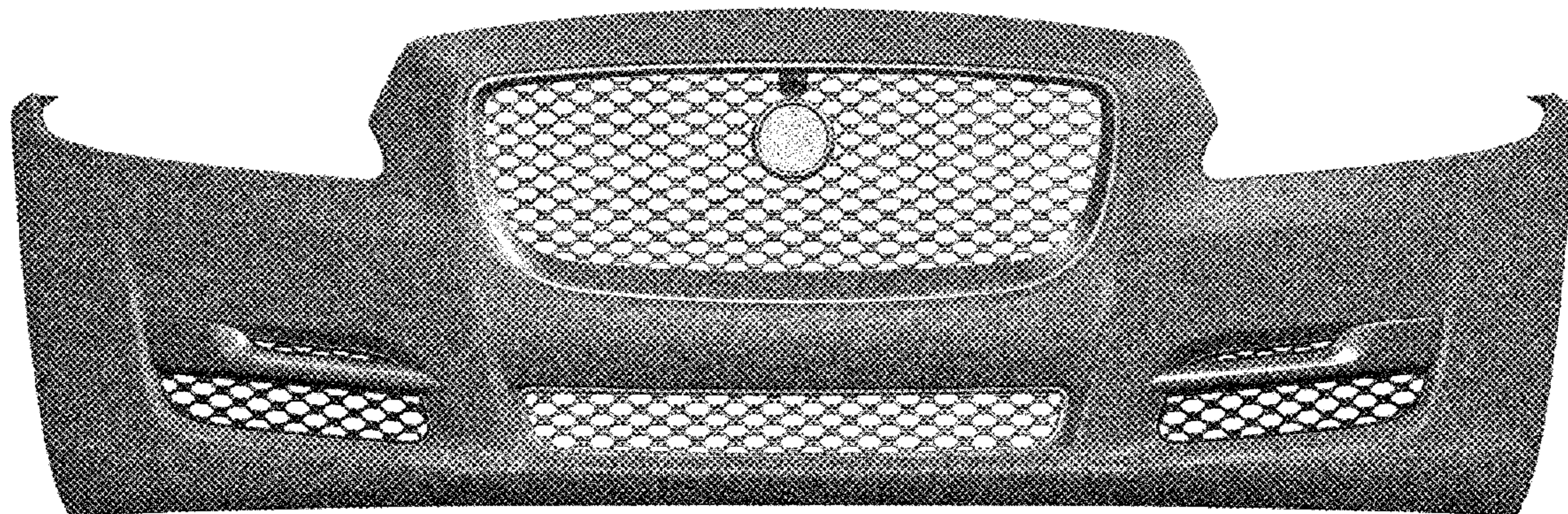
*Primary Examiner* — Darlington Ly  
(74) *Attorney, Agent, or Firm* — Wood Herron & Evans LLP

(57) **CLAIM**  
The ornamental design for an automobile front bumper, as shown and described.

**DESCRIPTION**

FIG. 1 is a front and right side perspective view of the automobile front bumper showing our new design; FIG. 2 is a rear and left side perspective view thereof; FIG. 3 is a front elevation view thereof; FIG. 4 is a rear elevation view thereof; FIG. 5 is a right side elevation view thereof; FIG. 6 is a left side elevation view thereof; FIG. 7 is a top plan view thereof; and FIG. 8 is a front and right side perspective view thereof, wherein the automobile front bumper is shown installed on an environmental automobile.  
FIG. 9 is a front and right side perspective view of the automobile front bumper showing our new design in accordance with an alternative embodiment of the invention; FIG. 10 is a rear and left side perspective view thereof; FIG. 11 is a front elevation view thereof; FIG. 12 is a rear elevation view thereof; FIG. 13 is a right side elevation view thereof; FIG. 14 is a left side elevation view thereof; FIG. 15 is a top plan view thereof; and, FIG. 16 is a front and right side perspective view thereof, wherein the automobile front bumper is shown installed on an environmental automobile.  
In FIGS. 8 and 16, the broken lines, de-emphasized, and half-tone portions showing the automobile are provided for the purposes of illustrating environmental structure and form no part of the claimed design. Alternatively, the portions of the automobile front bumper that are shown within the broken line boundary in said figures form part of the claimed design.

**1 Claim, 14 Drawing Sheets**



(56)

**References Cited**

U.S. PATENT DOCUMENTS

D680,037	S	*	4/2013	Akamine	.....	D12/169
D694,677	S	*	12/2013	Matsueda	.....	D12/169
D696,611	S	*	12/2013	Kwon	.....	D12/169
D705,705	S	*	5/2014	Matsumoto	.....	D12/169
D708,997	S	*	7/2014	Koizumi	.....	D12/169
D709,799	S	*	7/2014	Kato	.....	D12/91
D710,265	S	*	8/2014	Sakae	.....	D12/169
D711,793	S	*	8/2014	Nagasaka	.....	D12/169
D711,794	S	*	8/2014	Okamura	.....	D12/169
D721,992	S	*	2/2015	Takei	.....	D12/169
D733,621	S	*	7/2015	Ikuma	.....	D12/169
D737,182	S	*	8/2015	Takei	.....	D12/169
D737,737	S	*	9/2015	Kim	.....	D12/169
D751,955	S	*	3/2016	Takei	.....	D12/169
D751,956	S	*	3/2016	Hirai	.....	D12/169
D751,957	S	*	3/2016	Tomatsu	.....	D12/169
D751,958	S	*	3/2016	Tomatsu	.....	D12/169

\* cited by examiner



FIG. 1

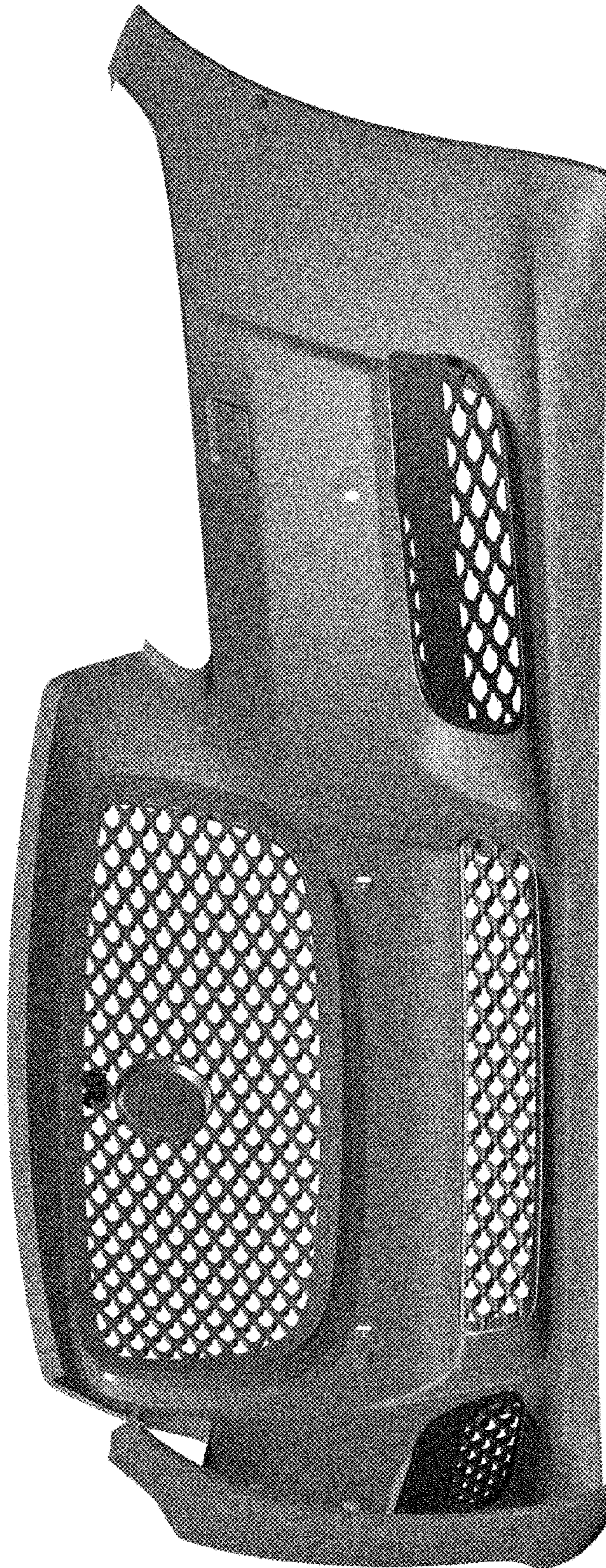


FIG. 2

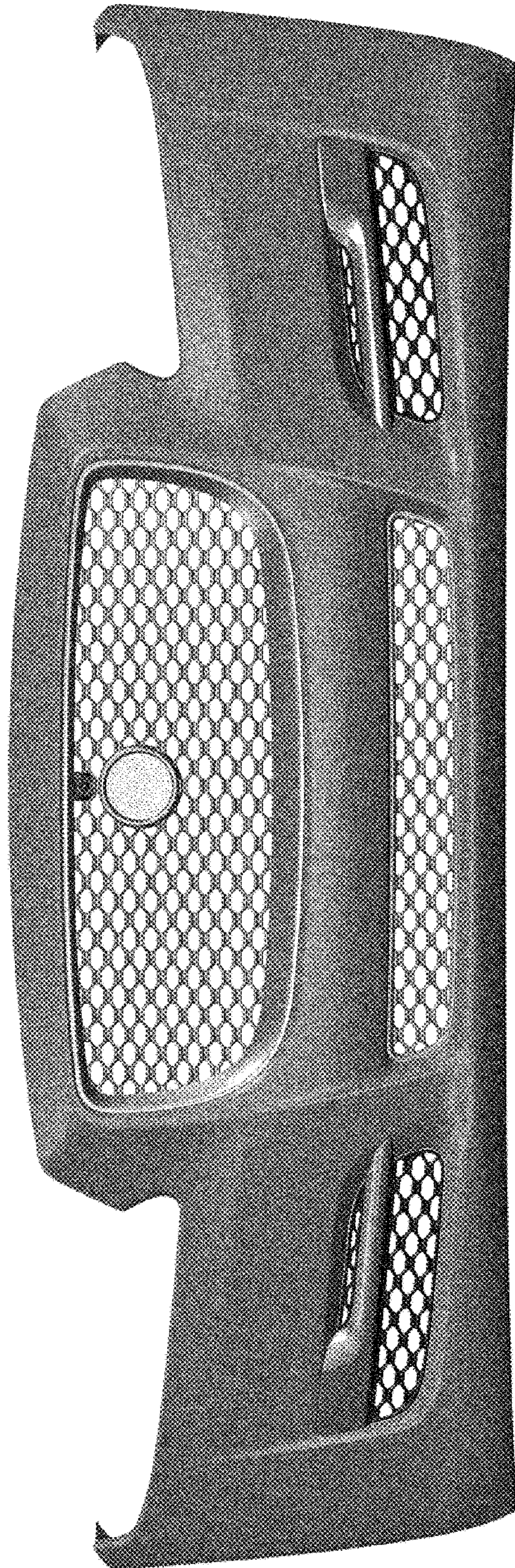


FIG. 3

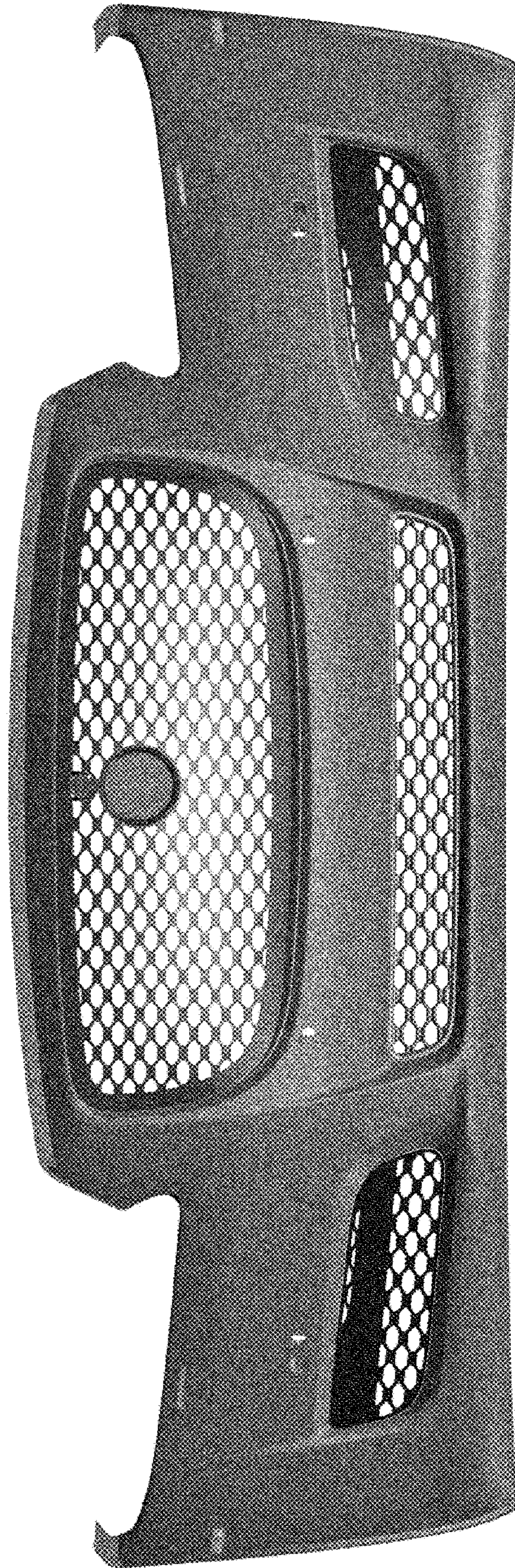


FIG. 4

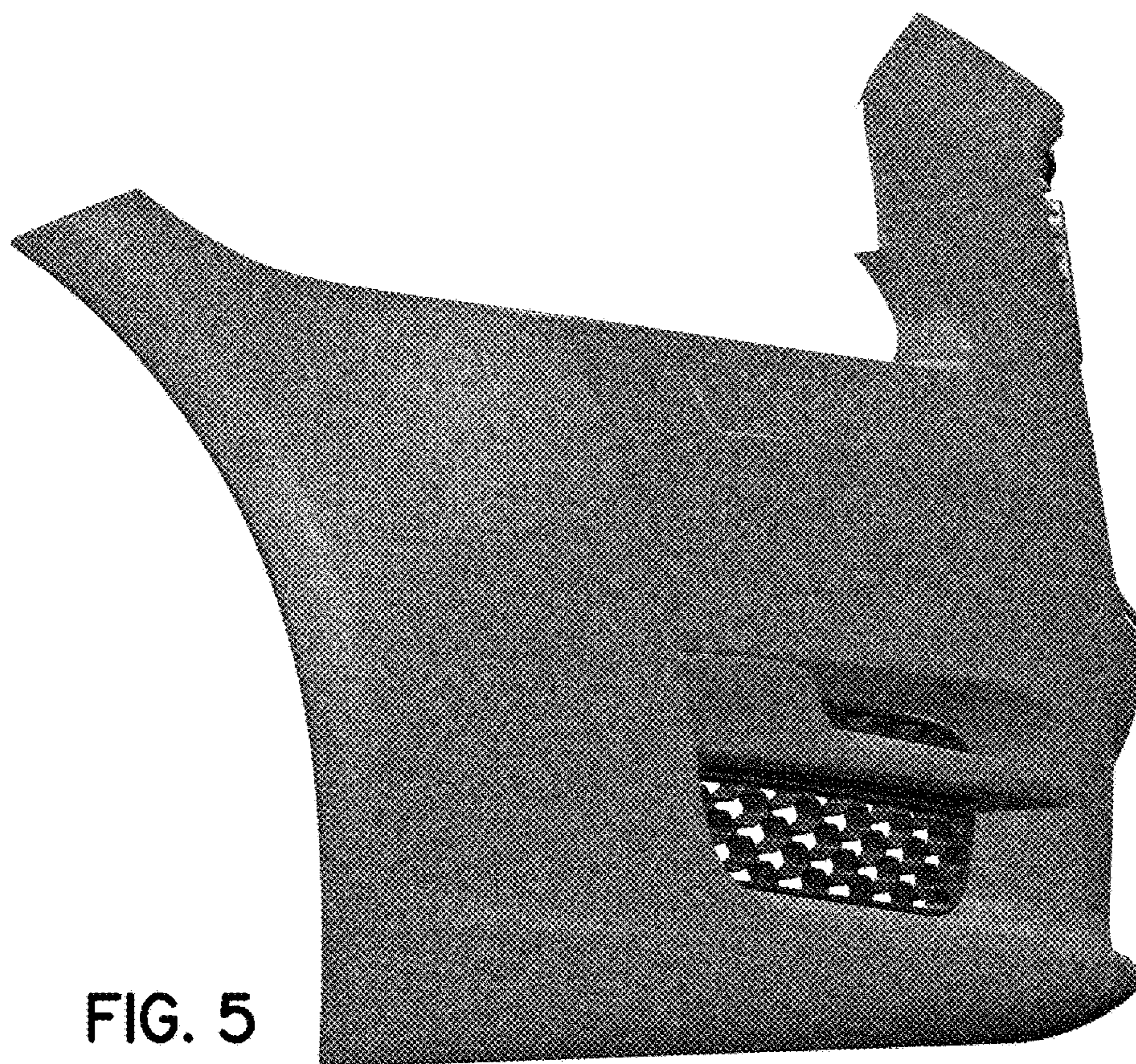


FIG. 5

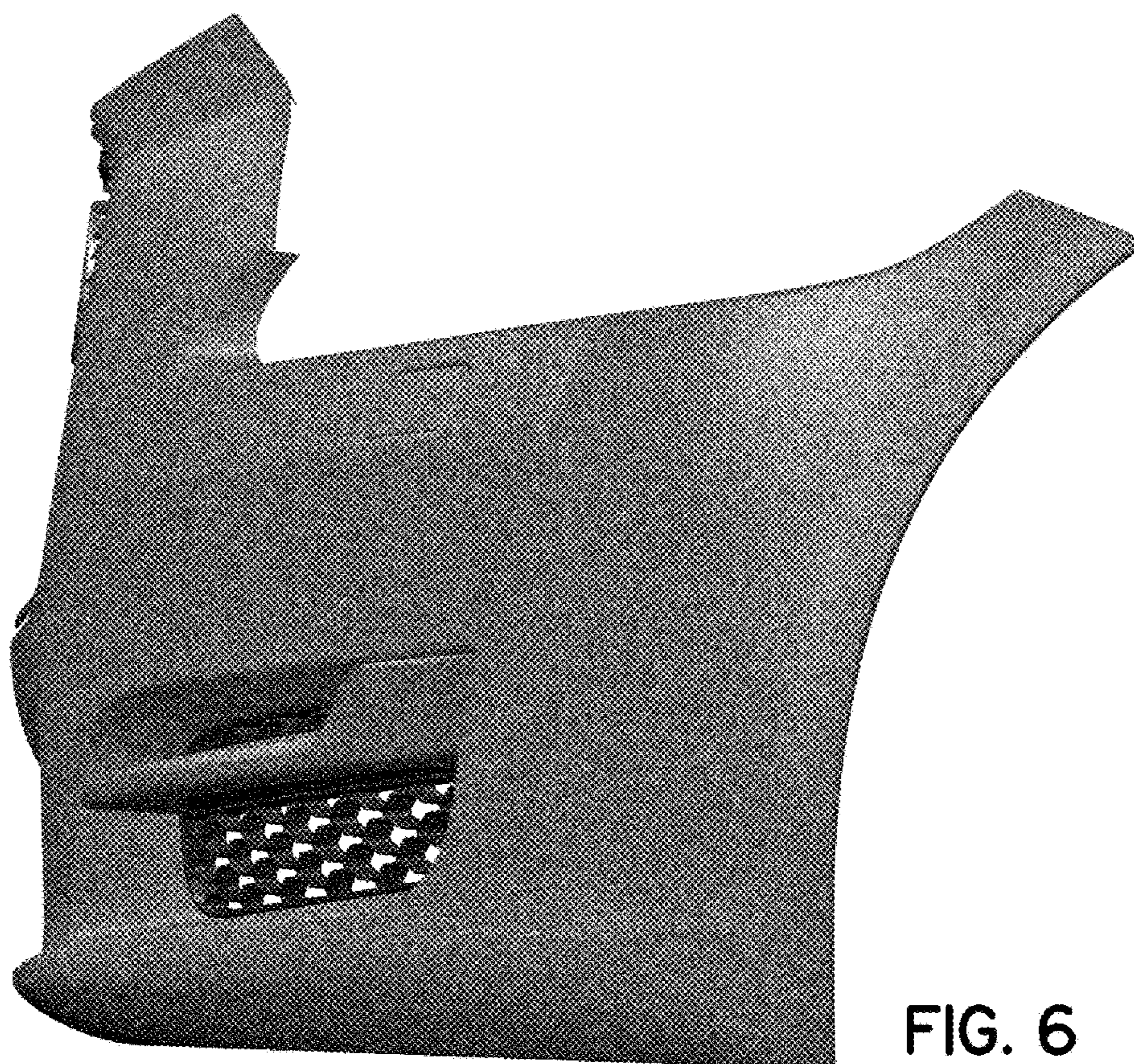


FIG. 6



FIG. 7



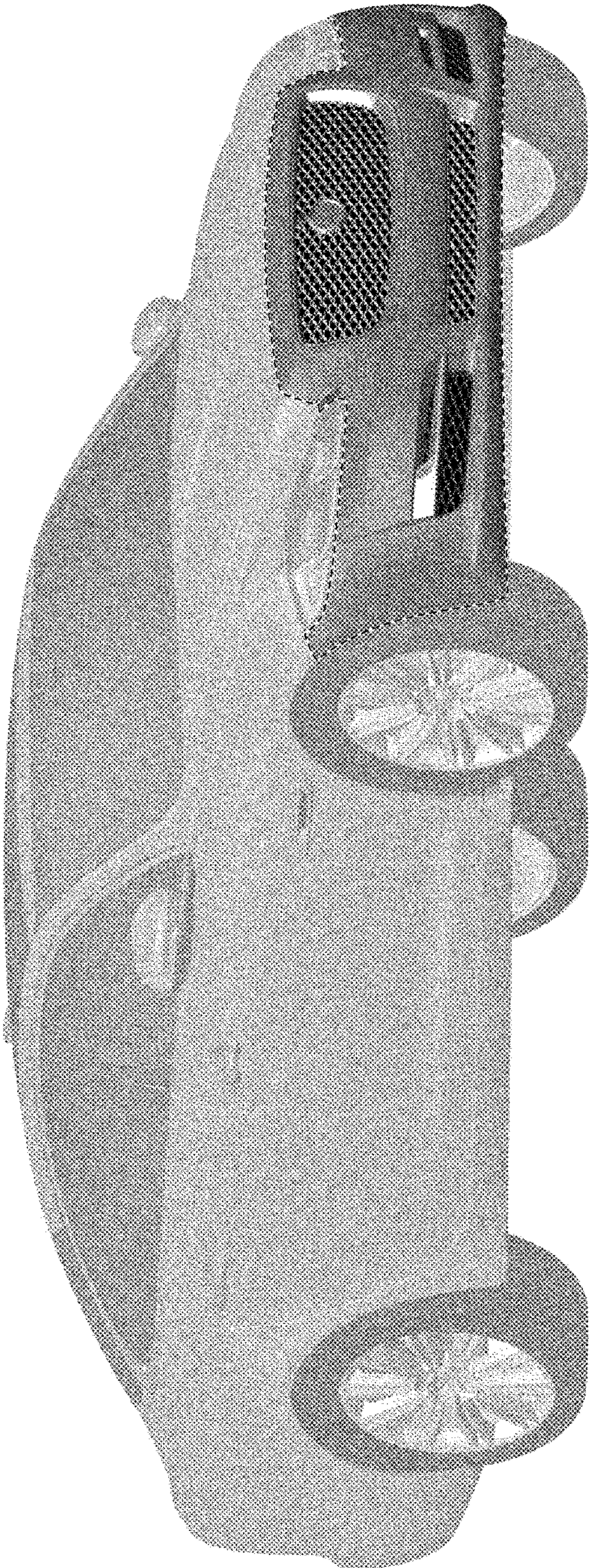


FIG. 8

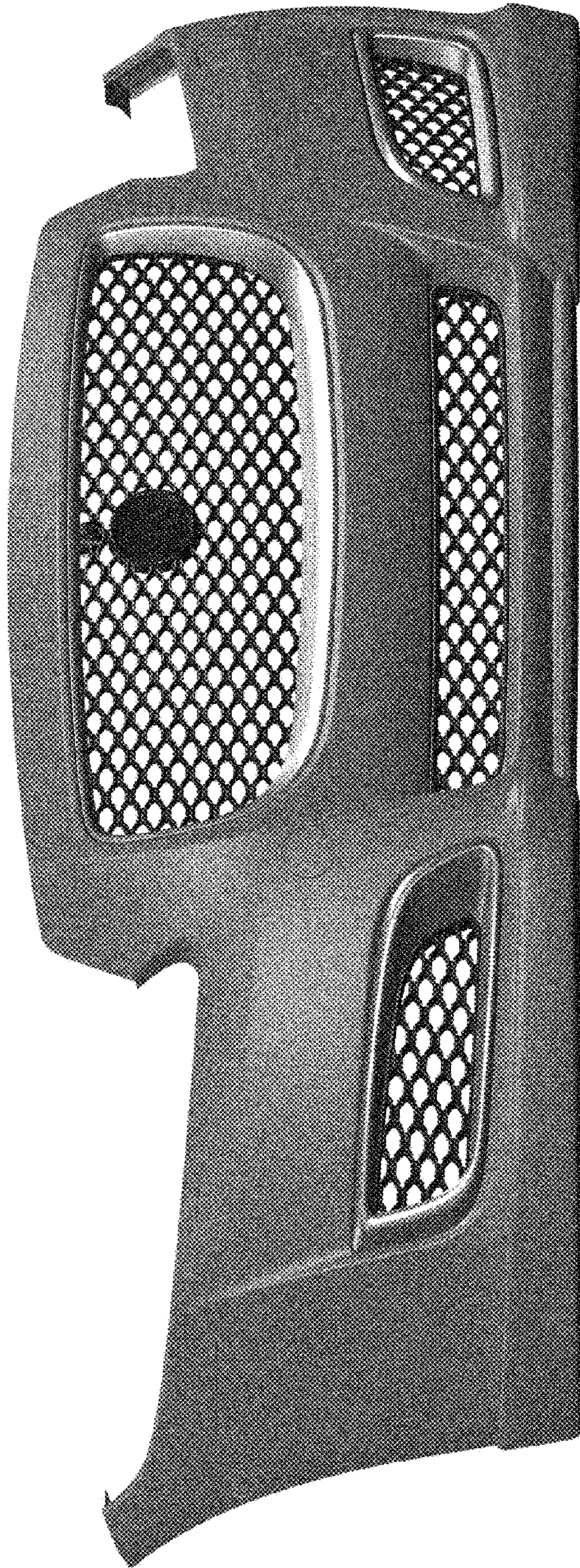


FIG. 9

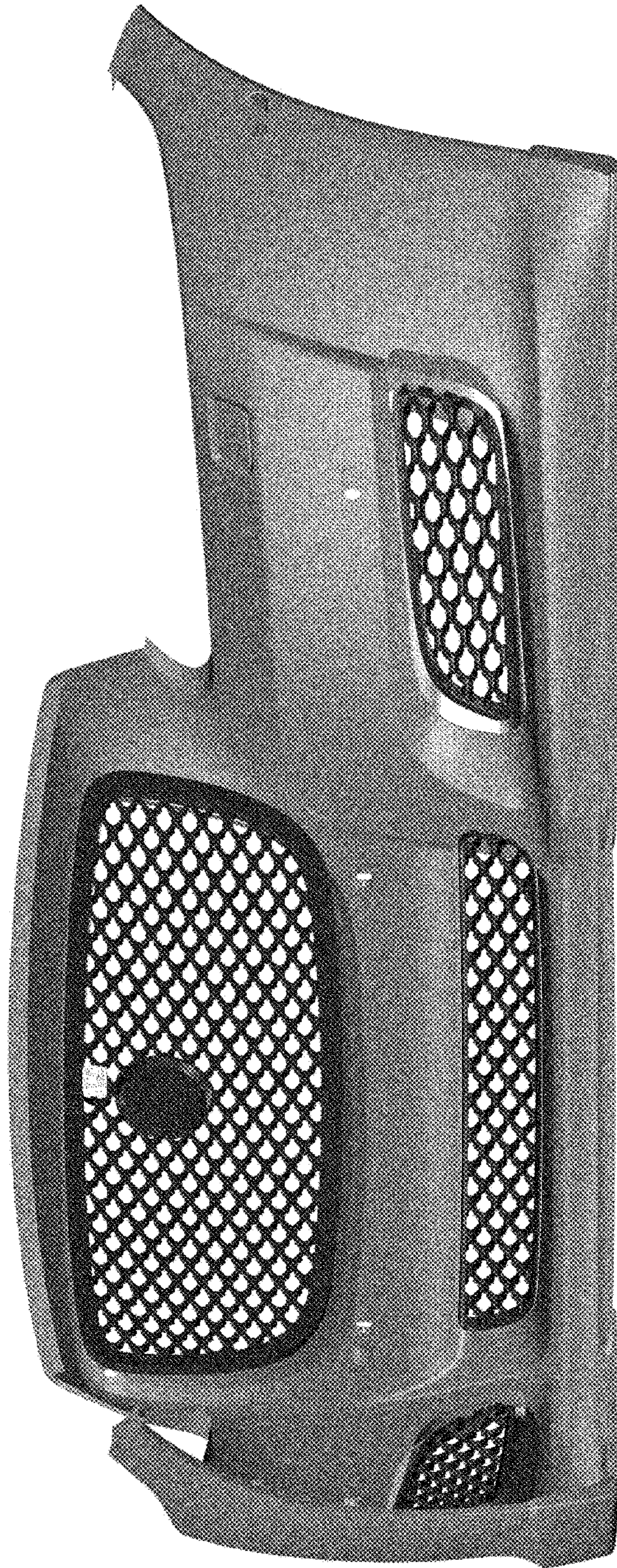


FIG. 10

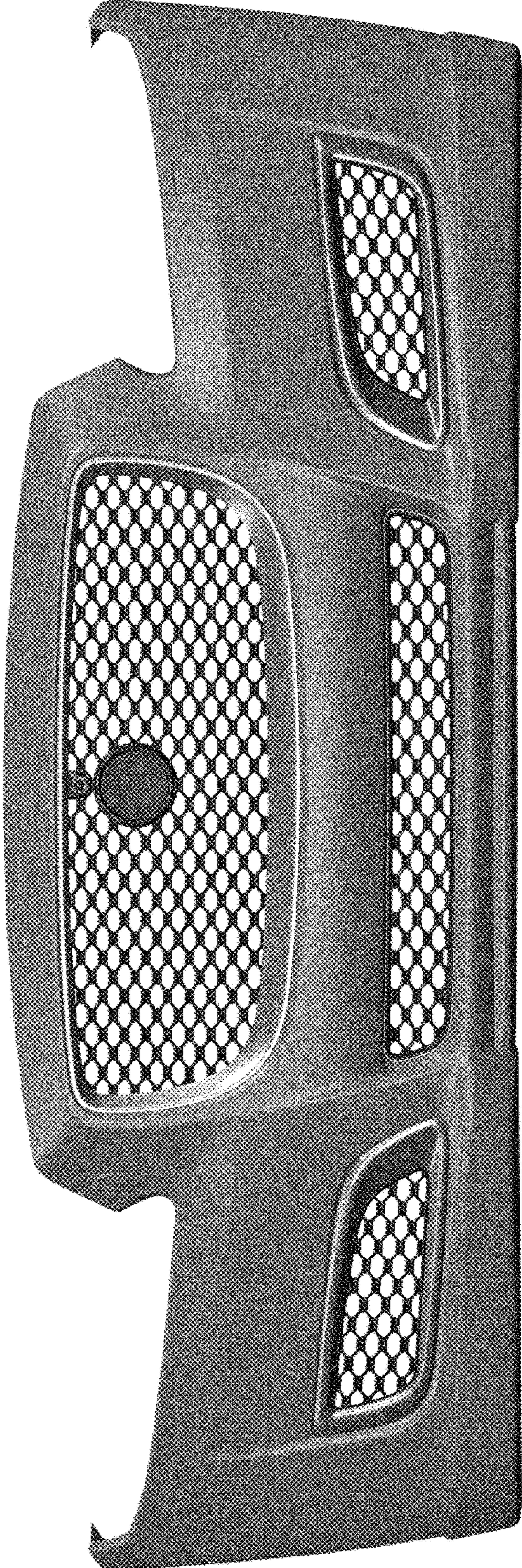


FIG. 11

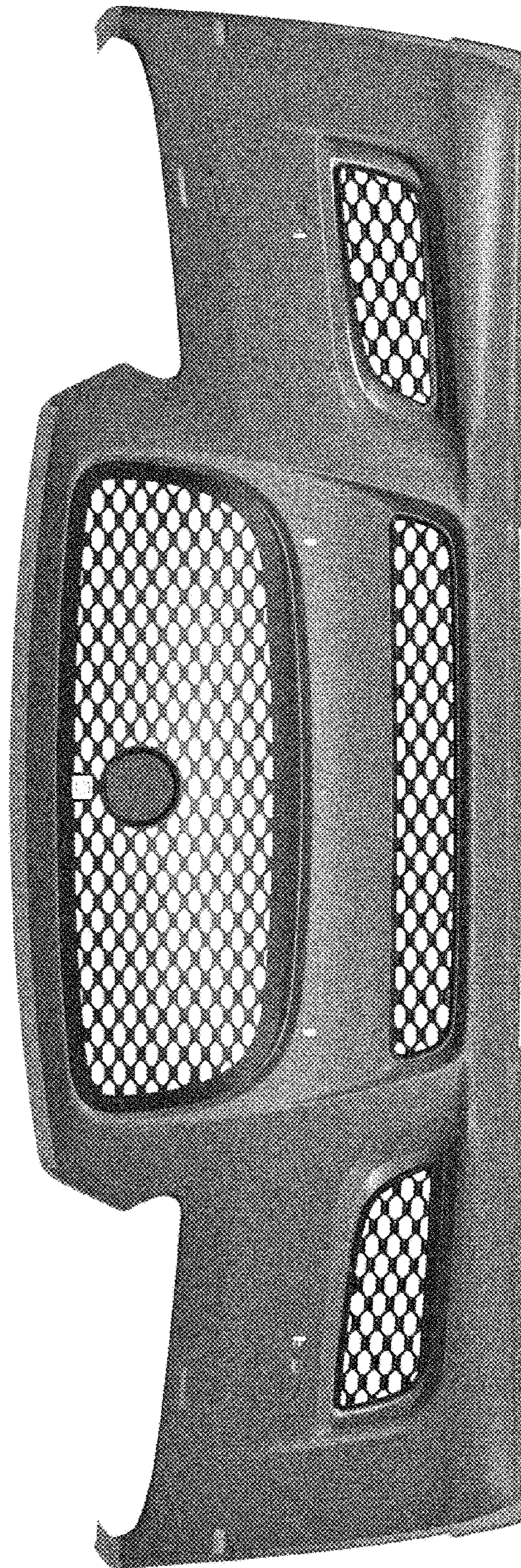


FIG. 12



FIG. 13

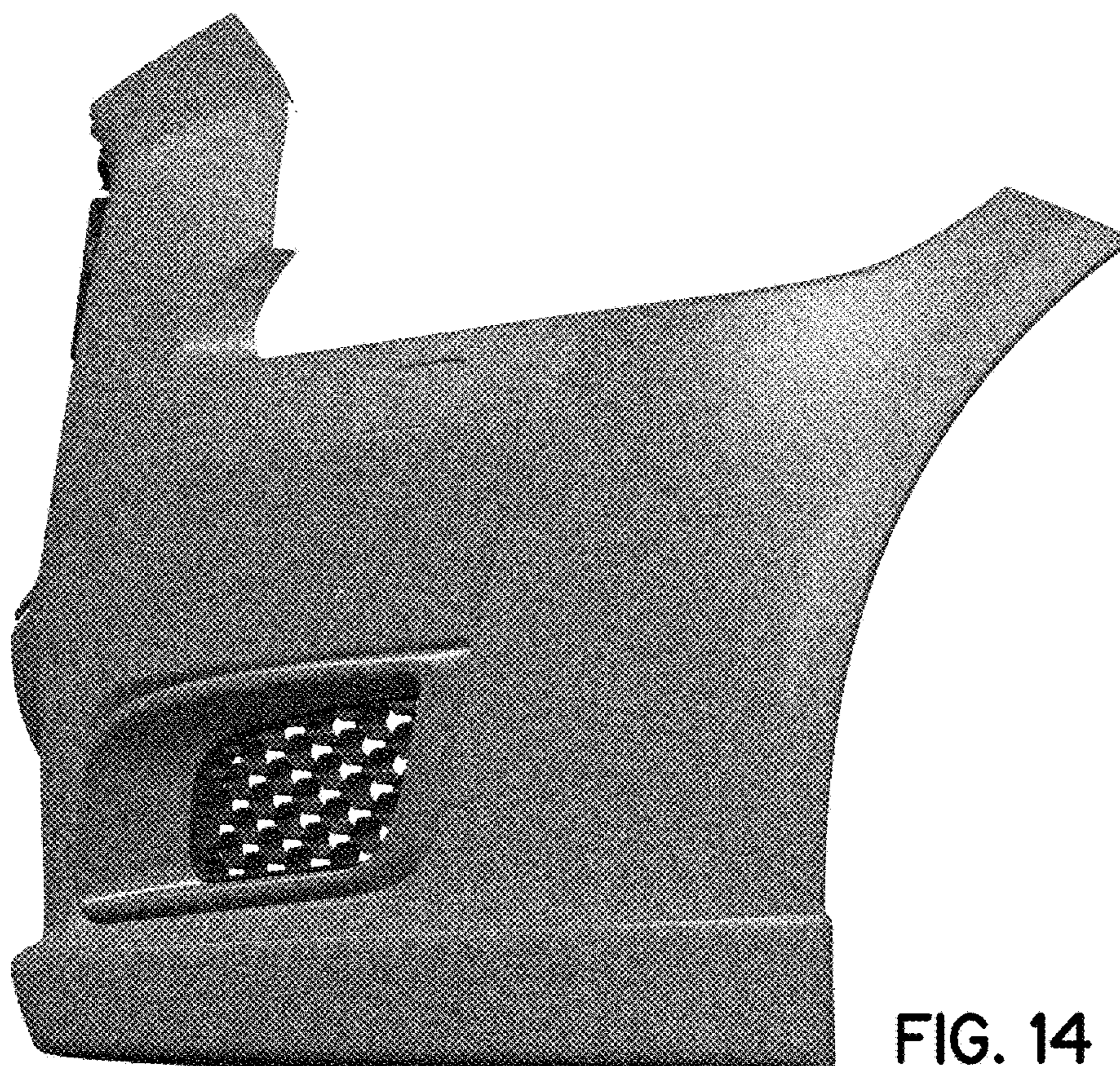


FIG. 14



FIG. 15

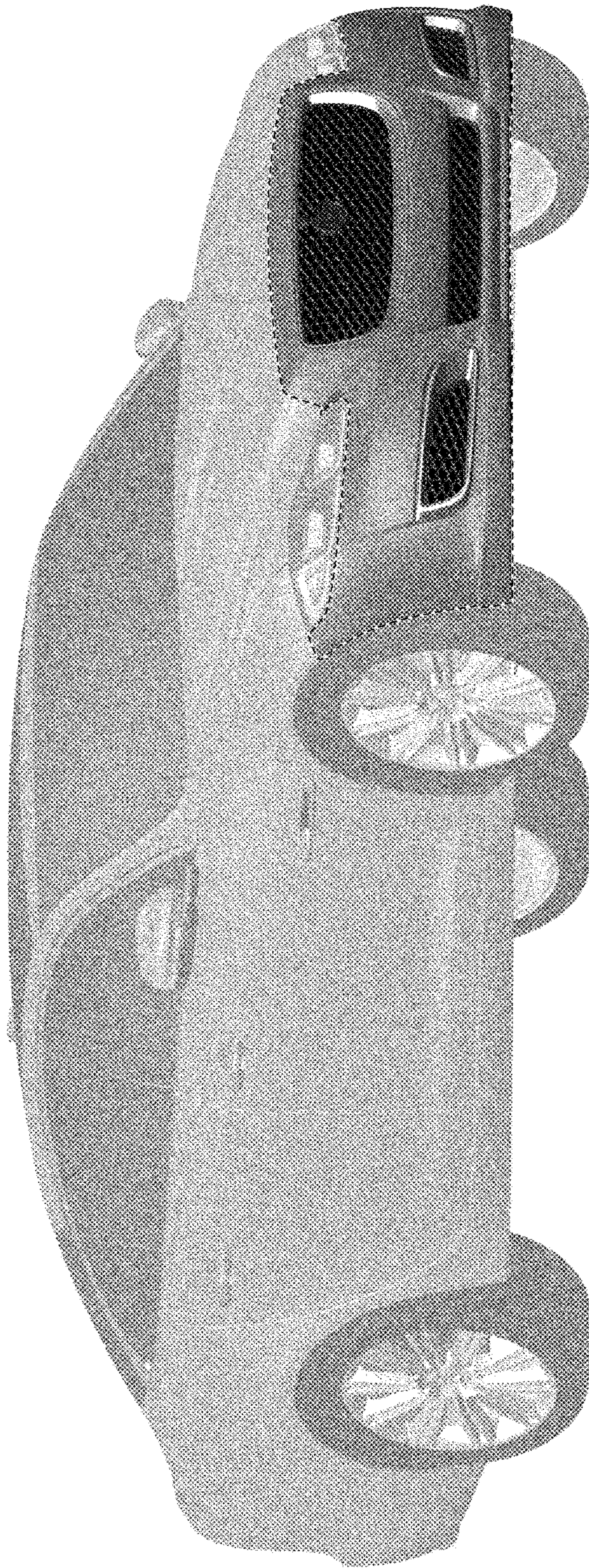


FIG. 16