



US00D786144S

(12) **United States Design Patent**
Pos

(10) **Patent No.:** **US D786,144 S**

(45) **Date of Patent:** **** May 9, 2017**

(54) **FRAME FOR STROLLER**

(71) Applicant: **CYBEX GmbH**, Bayreuth (DE)

(72) Inventor: **Martin Pos**, Bayreuth (DE)

(73) Assignee: **CYBEX GMBH**, Bayreuth (DE)

(**) Term: **14 Years**

(21) Appl. No.: **29/520,877**

(22) Filed: **Mar. 18, 2015**

(30) **Foreign Application Priority Data**

Sep. 19, 2014 (CN) ZL2014 3 0349039

(51) **LOC (10) Cl.** **12-12**

(52) **U.S. Cl.**
USPC **D12/129**

(58) **Field of Classification Search**
USPC D12/128-133
CPC B62B 7/00-7/04; B62B 9/00-9/28
See application file for complete search history.

(56) **References Cited**

U.S. PATENT DOCUMENTS

D344,701 S * 3/1994 Church D12/129
D470,802 S * 2/2003 You D12/129

D478,198 S * 8/2003 Koppes D12/129
D486,430 S * 2/2004 Chang D12/129
D529,844 S * 10/2006 Chen D12/129
D639,214 S * 6/2011 Zhong D12/129
D672,693 S * 12/2012 Yuan D12/129
D688,602 S * 8/2013 Clifton D12/129

* cited by examiner

Primary Examiner — Charles Hanson

(74) *Attorney, Agent, or Firm* — Boyle Fredrickson, S.C.

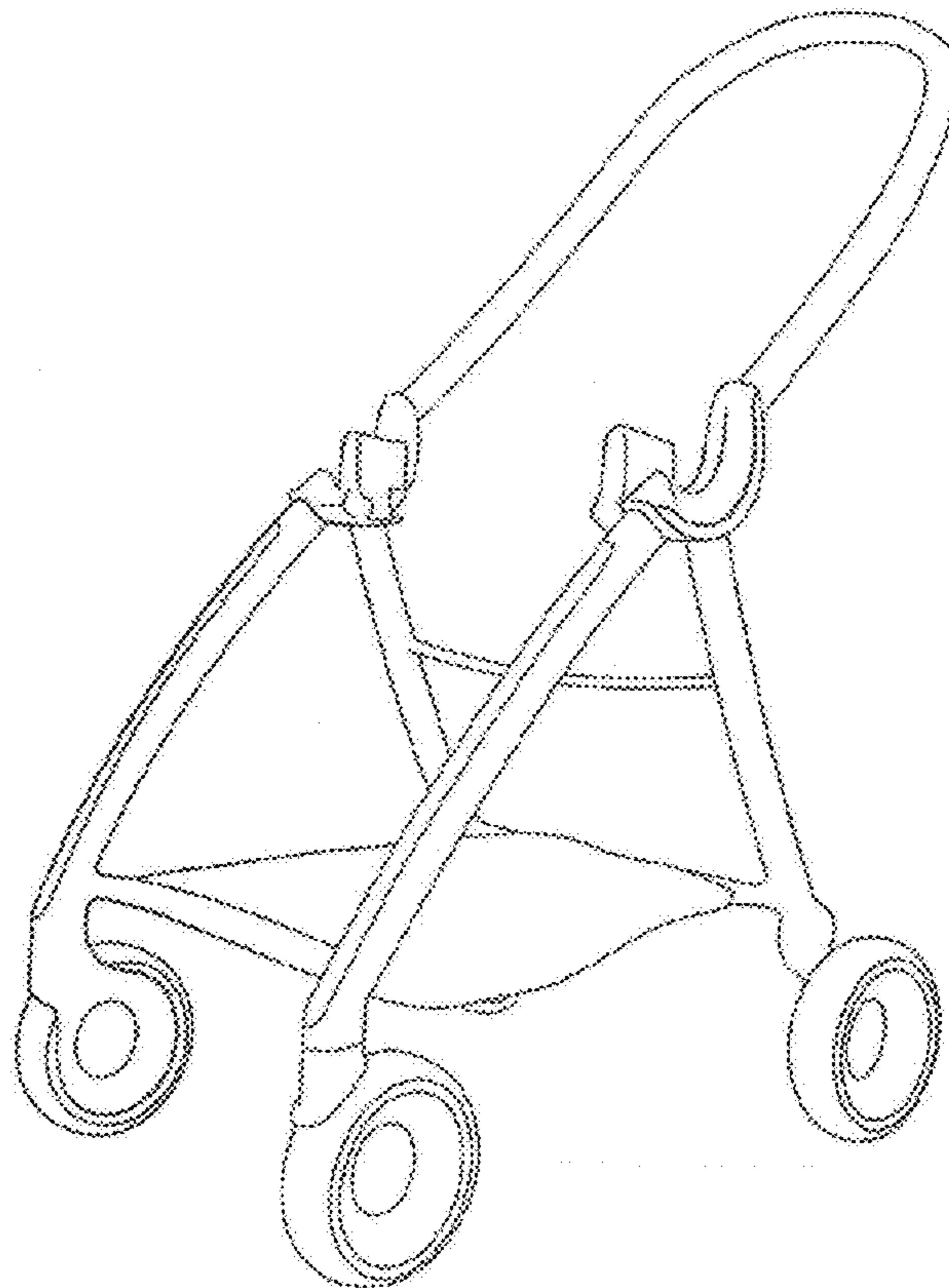
(57) **CLAIM**

The ornamental design for a frame for stroller, as shown and described.

DESCRIPTION

FIG. 1 is an isometric view of a frame for stroller in accordance with the present invention;
FIG. 2 is a side elevational view of a first side of the frame for stroller of FIG. 1;
FIG. 3 is a side elevational view of a second side of the frame for stroller of FIG. 1;
FIG. 4 is a front elevational view of the frame for stroller of FIG. 1;
FIG. 5 is a rear elevational view of the frame for stroller of FIG. 1;
FIG. 6 is a top view of the frame for stroller of FIG. 1; and,
FIG. 7 is a bottom view of the frame for stroller of FIG. 1.

1 Claim, 7 Drawing Sheets



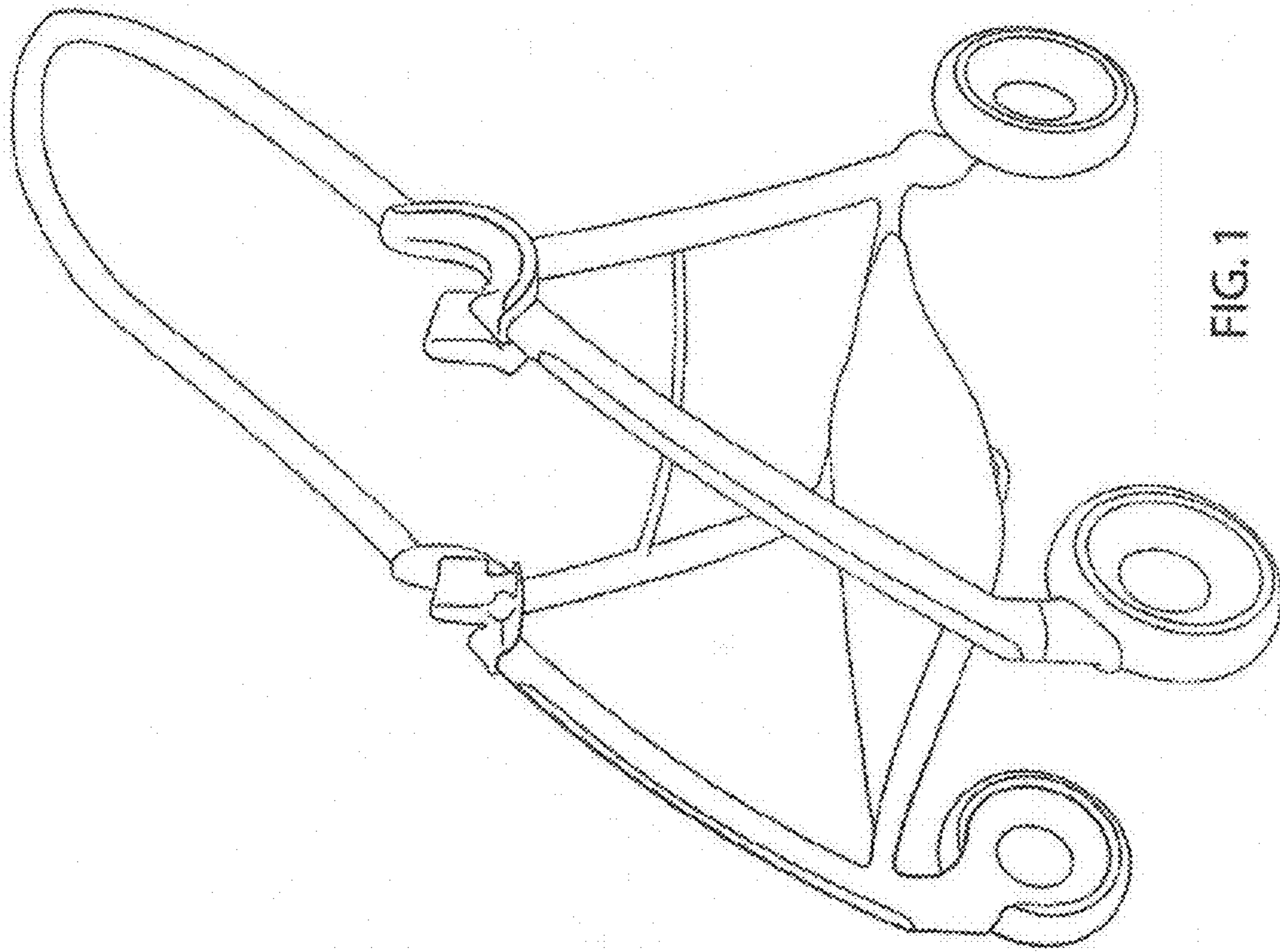


FIG. 1

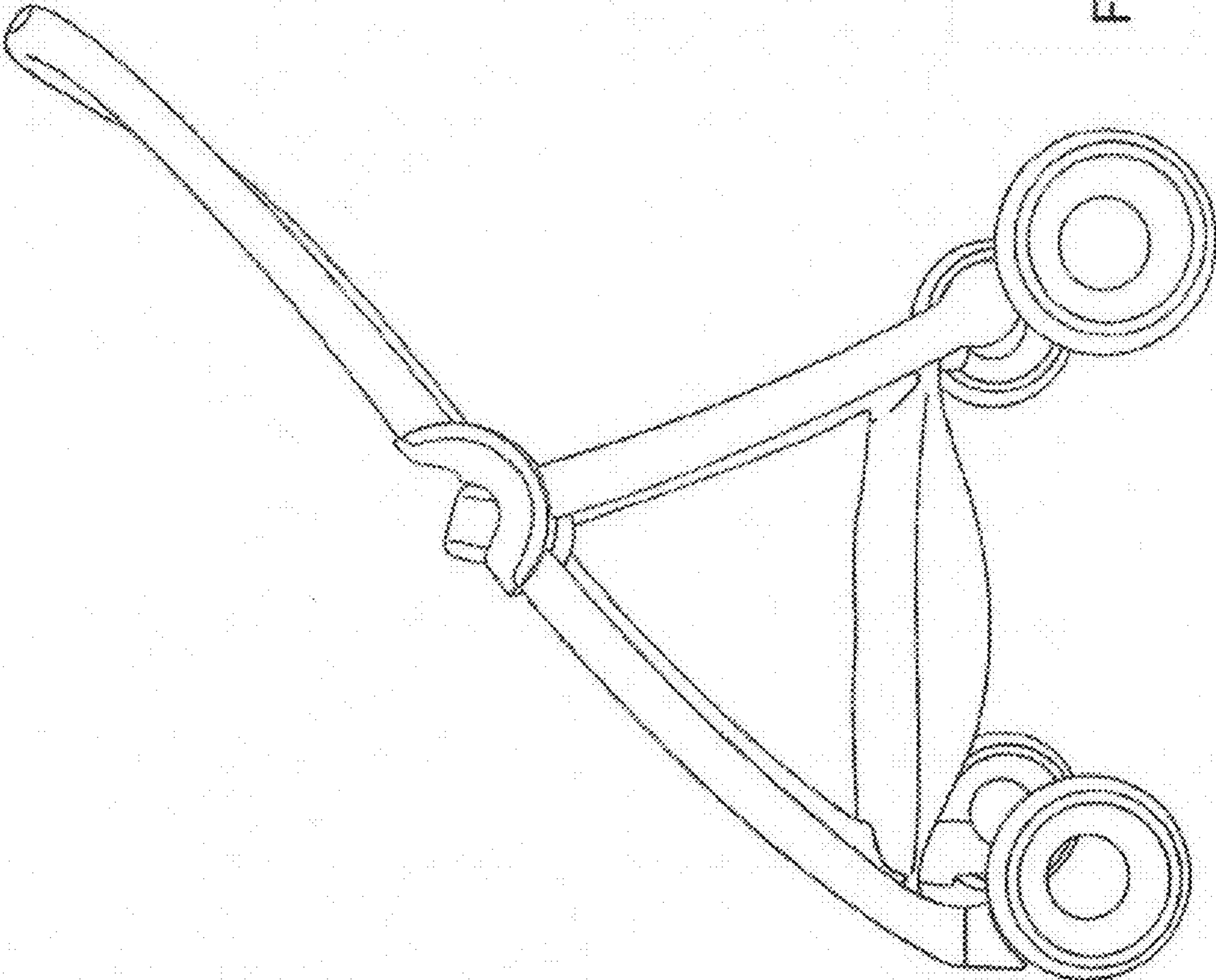


FIG. 2

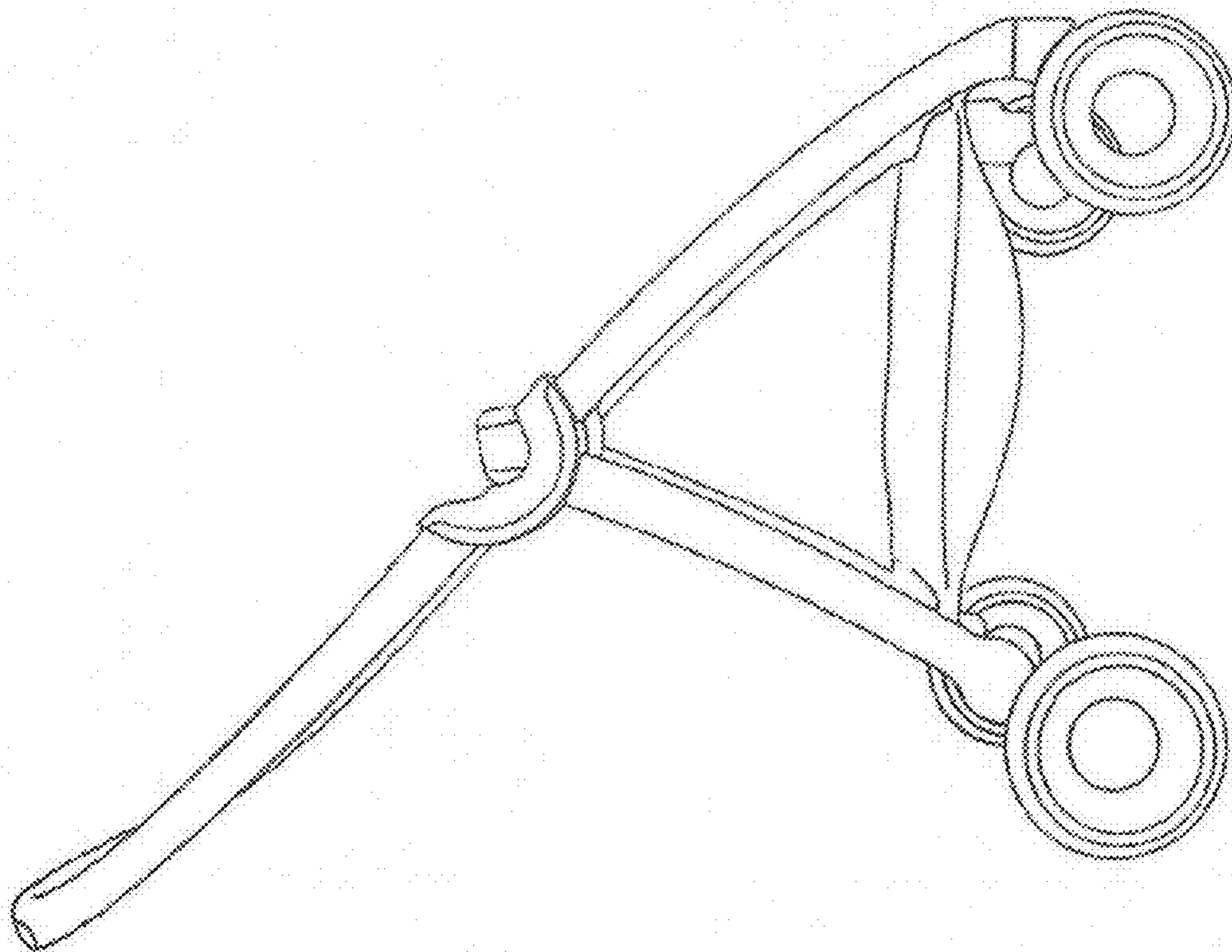


FIG. 3

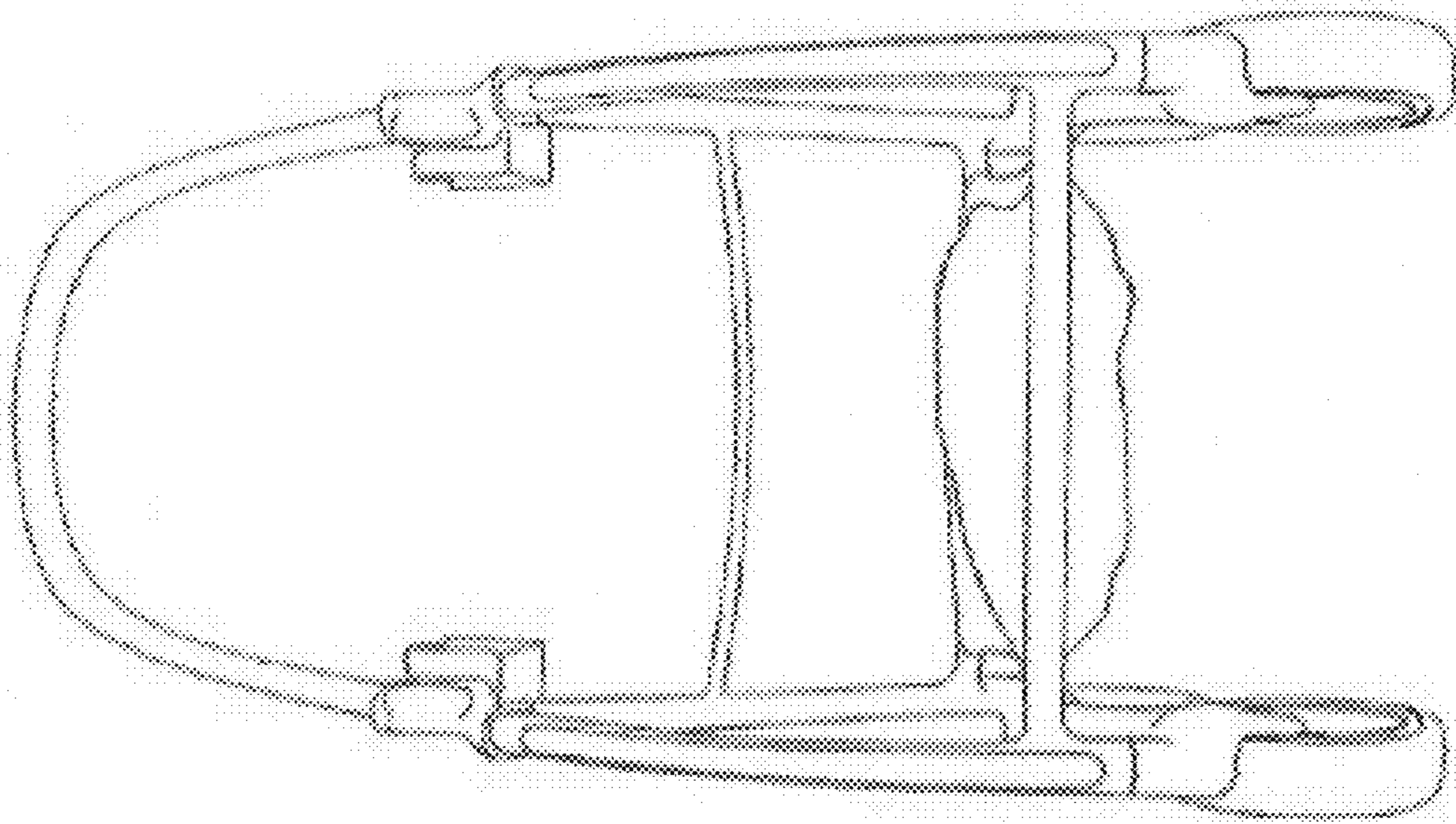


FIG. 4

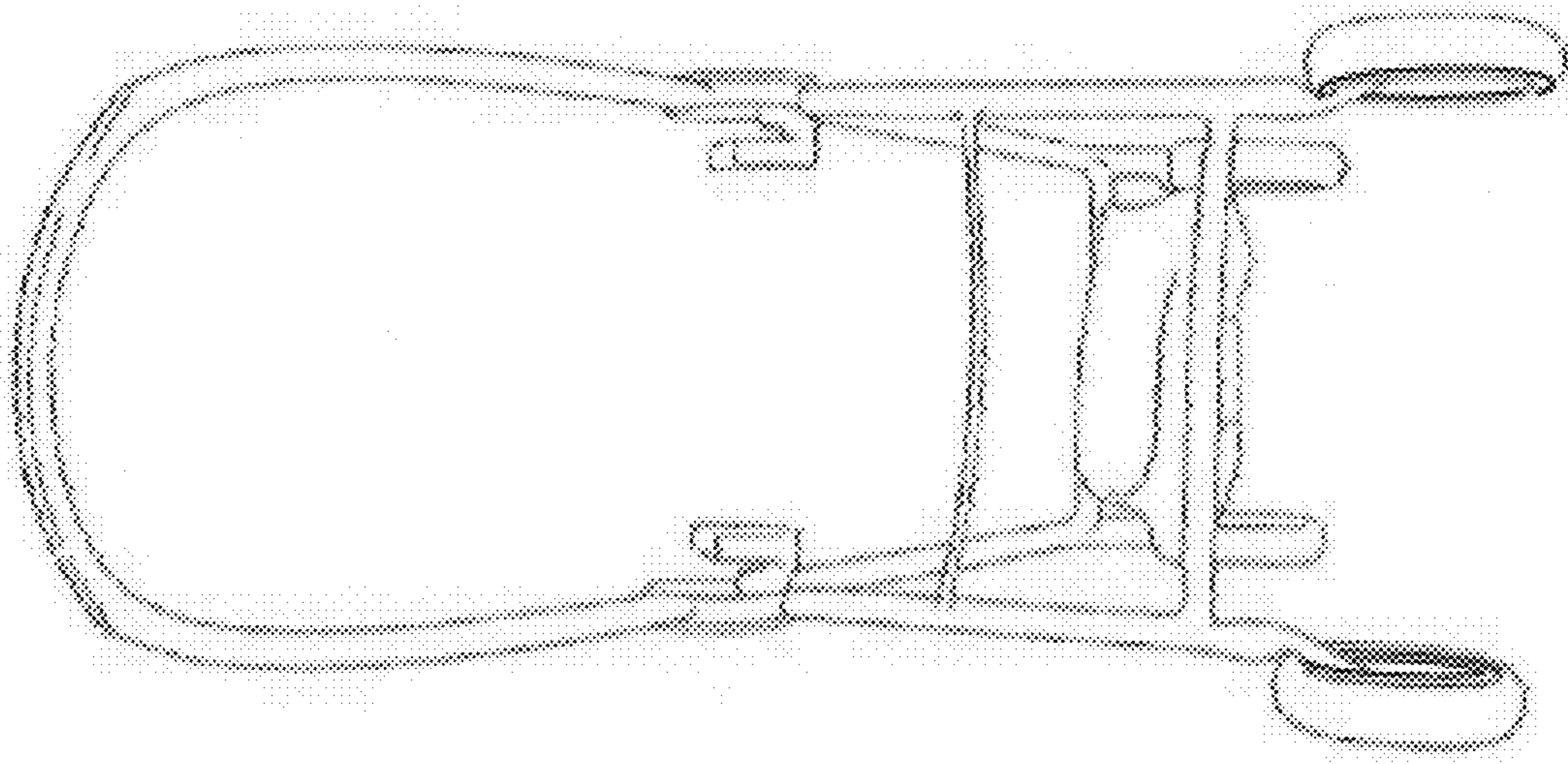


FIG. 5

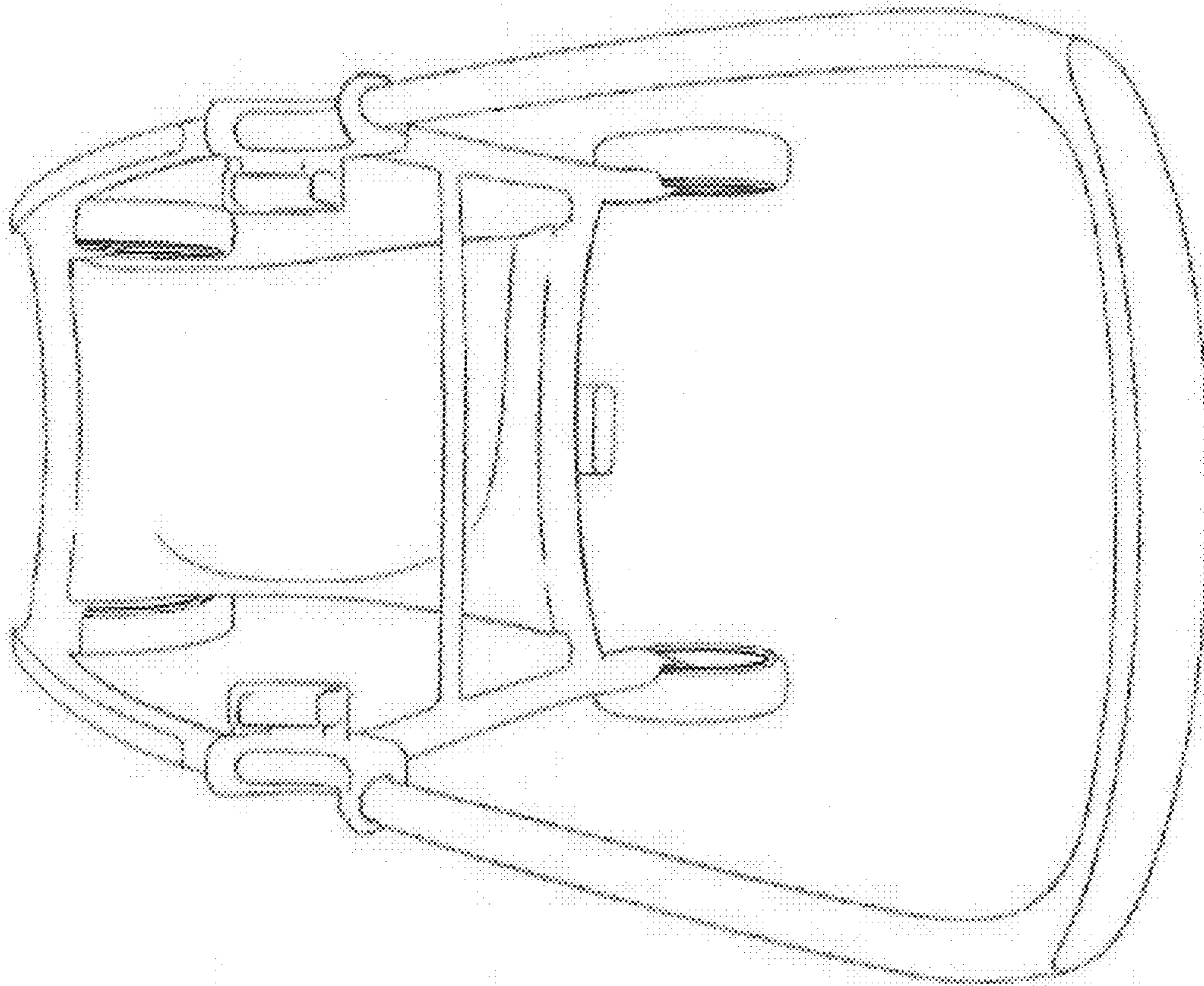


FIG. 6

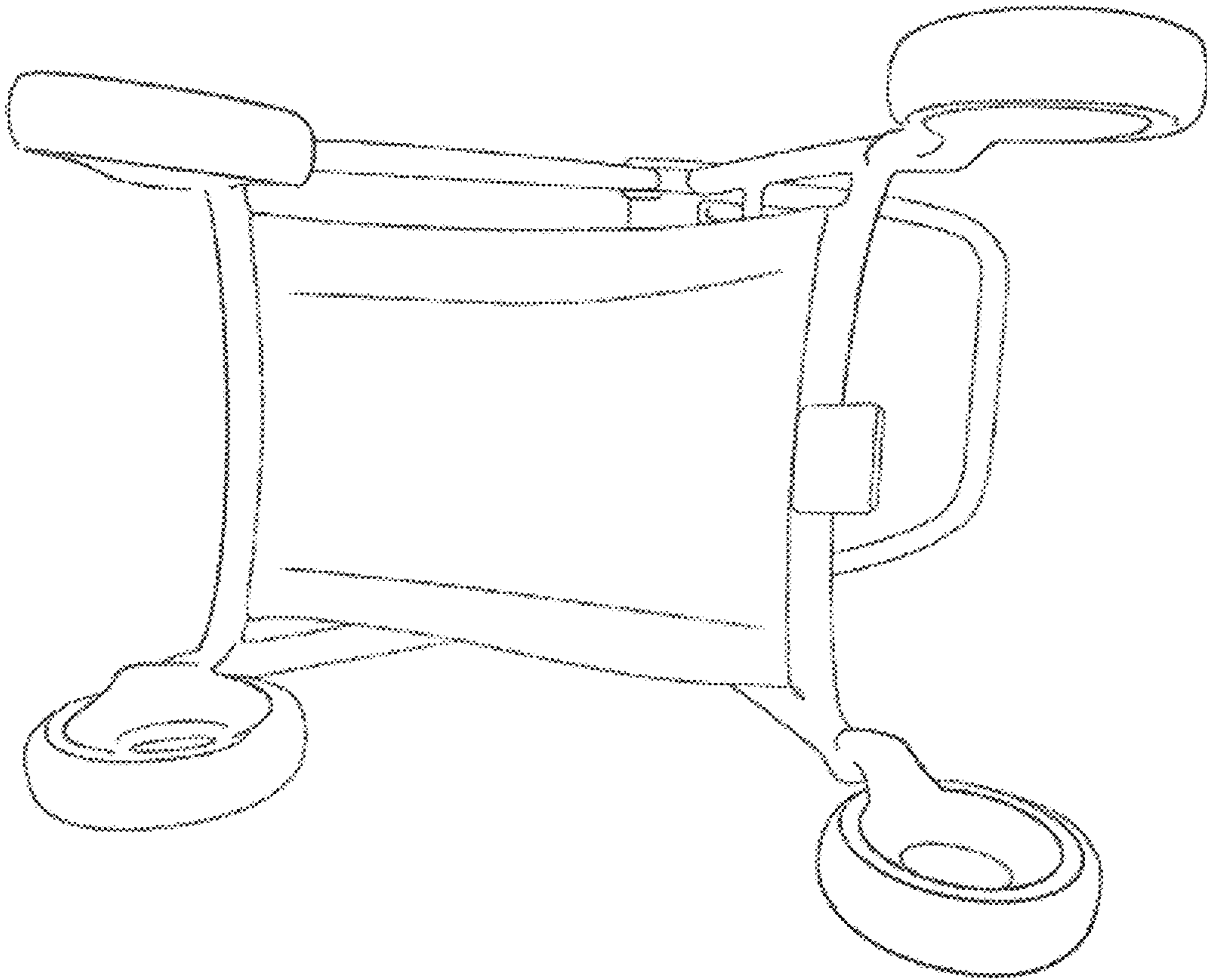


FIG. 7