



US00D786143S

(12) **United States Design Patent**
Couch

(10) **Patent No.:** **US D786,143 S**

(45) **Date of Patent:** **** May 9, 2017**

(54) **PATIENT LIFTING AND CARRYING DEVICE**

(71) Applicant: **Denver Couch**, West Chester, OH (US)

(72) Inventor: **Denver Couch**, West Chester, OH (US)

(**) Term: **15 Years**

(21) Appl. No.: **29/549,449**

(22) Filed: **Dec. 22, 2015**

Related U.S. Application Data

(63) Continuation of application No. 13/837,305, filed on Mar. 15, 2013, now abandoned.

(51) **LOC (10) Cl.** **12-12**

(52) **U.S. Cl.**
USPC **D12/128**

(58) **Field of Classification Search**
USPC D12/128-133
CPC . A61G 1/04; A61G 1/00; A61G 1/044; A61G 1/048; A61G 1/0212; A61G 1/003; A61G 1/0237; A61G 1/0231; A61G 1/0262; A61G 1/052; A61G 1/0562; A61G 1/0567; A61G 7/0504; A61G 7/103; A61G 7/1046; A61G 13/105

See application file for complete search history.

(56) **References Cited**

U.S. PATENT DOCUMENTS

1,899,040 A	2/1933	Koken
2,555,566 A	6/1951	Bleck
2,644,957 A	7/1953	Shudde
2,664,142 A	12/1953	Scheuerman et al.
3,261,031 A	7/1966	Gates
3,271,796 A	9/1966	Dillman
3,310,816 A	3/1967	James et al.
3,611,449 A	10/1971	Berry
3,829,916 A	8/1974	James

(Continued)

OTHER PUBLICATIONS

RehaMed Technology GmbH, AquaKonzept, "PAL"—Portable Aquatic Lift, product brochure, published Jan. 9, 2010, downloaded from www.rmt.eu on Mar. 28, 2013 (2 pages).

Primary Examiner — Charles Hanson

(74) *Attorney, Agent, or Firm* — Hasse & Nesbitt LLC; Daniel F. Nesbitt

(57) **CLAIM**

The ornamental design for a patient lifting and carrying device, as shown and described.

DESCRIPTION

FIG. 1 is a perspective view of a patient lifting and transport device.

FIG. 2 is a left side view of the patient lifting and transport device, with the right side view being a mirror image thereof.

FIG. 3 is a front view of the patient lifting and transport device.

FIG. 4 is a rear view of the patient lifting and transport device.

FIG. 5 is a top view of the patient lifting and transport device.

FIG. 6 is a bottom view of the patient lifting and transport device.

FIG. 7 is a perspective view of the patient lifting and transport device of FIG. 1 with opening cover.

FIG. 8 is a top perspective view of the opening cover.

FIG. 9 is a bottom perspective view of the opening cover.

FIG. 10 is a front view of the opening cover of FIG. 8.

FIG. 11 is a rear view of the opening cover.

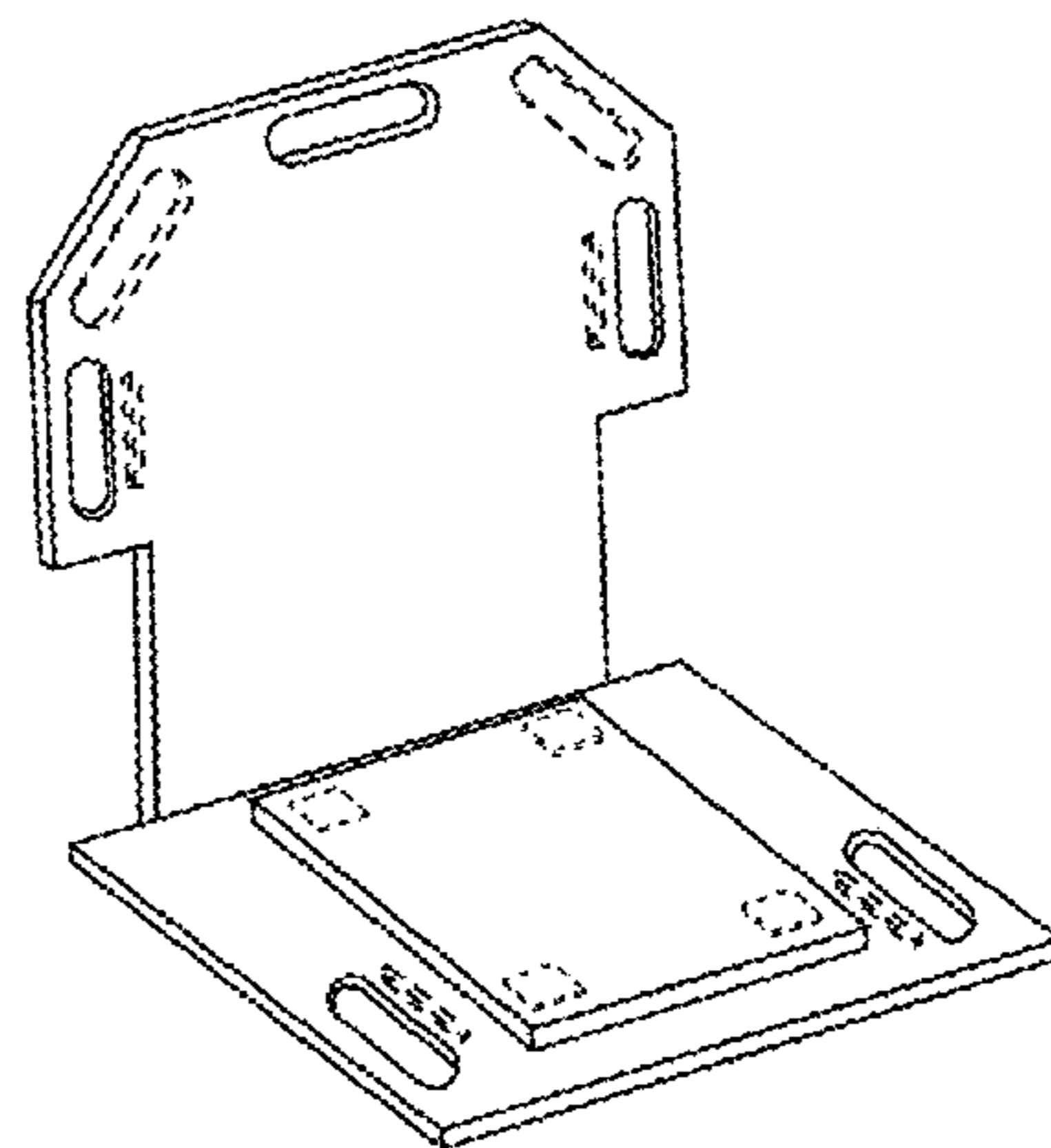
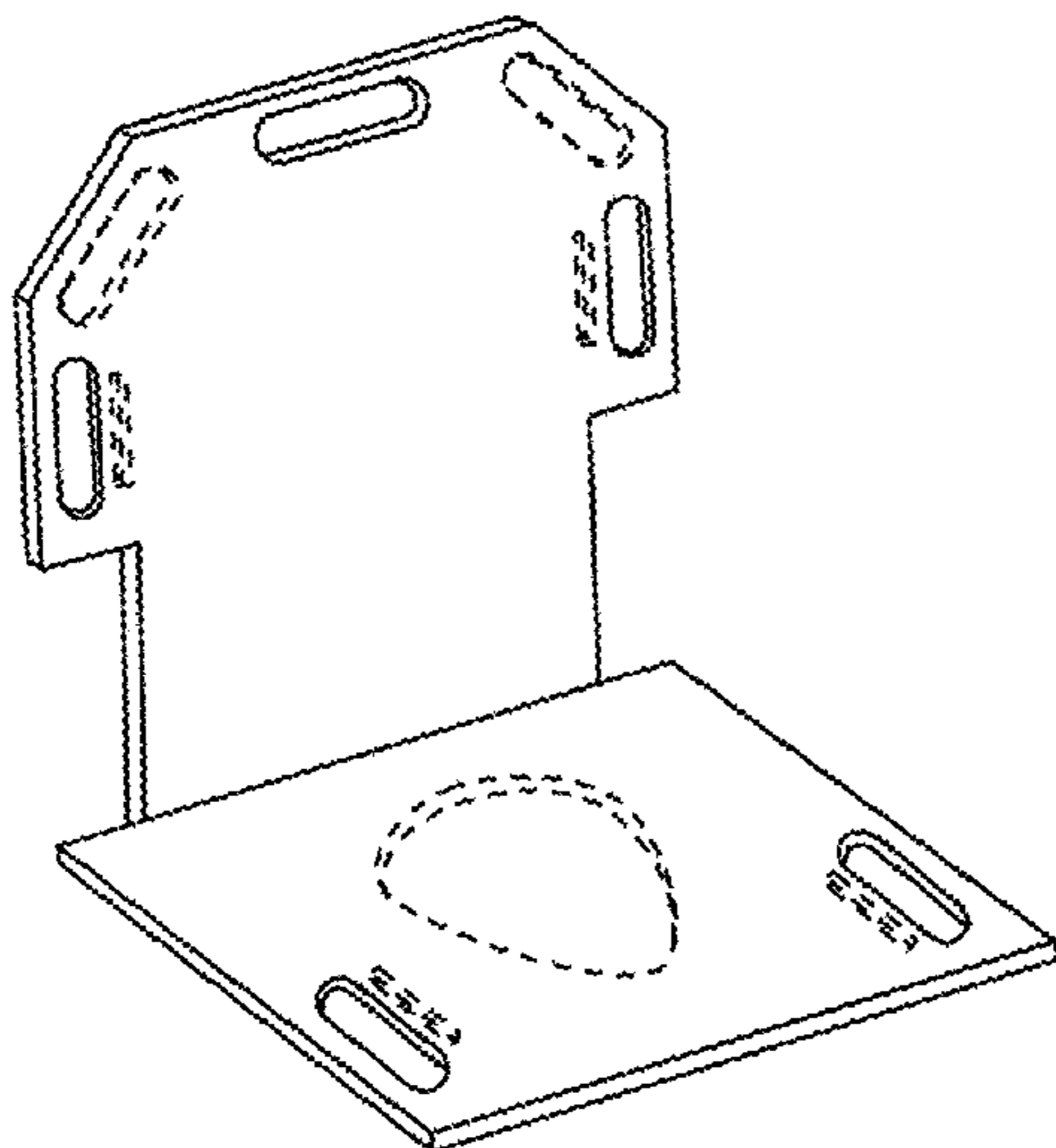
FIG. 12 is a left side view of the opening cover, with the right side view being a mirror image thereof.

FIG. 13 is a top view of the opening cover; and,

FIG. 14 is a bottom view of the opening cover.

The broken lines shown in the drawings show environment only and form no part of the claimed design.

1 Claim, 3 Drawing Sheets



(56)

References Cited

U.S. PATENT DOCUMENTS

3,849,811	A	11/1974	Cyll	6,871,368	B2	3/2005	Calkin	
3,981,484	A	9/1976	James	6,883,195	B1	4/2005	Gustavsen	
4,011,610	A	3/1977	Parker, III	7,303,705	B2	12/2007	Panton, Jr.	
4,108,489	A	8/1978	Salzman	7,310,833	B2	12/2007	Maguire et al.	
4,138,750	A	2/1979	Michalowski	7,387,125	B2	6/2008	Lamon et al.	
4,737,997	A	4/1988	Lamson	7,422,220	B2 *	9/2008	Walkingshaw	A61G 1/007 224/156
4,782,539	A	11/1988	Elliott	7,578,012	B2	8/2009	Palay et al.	
4,821,352	A	4/1989	DiMatteo et al.	7,611,203	B1	11/2009	Roberts et al.	
4,903,931	A *	2/1990	Shimazaki	7,810,820	B2	10/2010	Wolf et al.	
		 B60N 2/1615	8,365,326	B2 *	2/2013	Kenalty	A61G 1/00 5/625
			248/421	8,544,866	B2	10/2013	Noonan et al.	
4,944,057	A	7/1990	Shaw	D699,158	S *	2/2014	Calkin	D12/128
5,056,533	A	10/1991	Solano	8,677,530	B2 *	3/2014	Calkin	A61G 1/044 5/625
5,161,275	A	11/1992	Simpson et al.	8,793,827	B1 *	8/2014	Smart	A61G 1/044 128/870
D333,737	S *	3/1993	Adams	8,898,839	B2 *	12/2014	Kenalty	A61G 1/044 224/158
5,255,934	A	10/1993	Wilson					
5,515,549	A	5/1996	Wang	D732,438	S *	6/2015	Smart	D12/128
5,579,546	A	12/1996	Griskauskas	D772,761	S *	11/2016	Rugfelt	D12/128
5,657,367	A	8/1997	Couch	2002/0153680	A1 *	10/2002	Moore	A62B 1/02 280/20
5,669,084	A	9/1997	Sakimura	2003/0102700	A1	6/2003	Lin	
5,845,962	A	12/1998	Lin	2006/0213011	A1 *	9/2006	McLoughlin	A61G 1/00 5/628
5,901,390	A	5/1999	Williams					
6,003,175	A	12/1999	Couch	2011/0289678	A1	12/2011	Huang	
6,006,376	A	12/1999	Williamson	2014/0259390	A1	9/2014	Couch	
6,250,713	B1	6/2001	Grohs et al.					
6,418,571	B1	7/2002	Cheng					
6,477,728	B1	11/2002	Faz					
6,547,265	B1	4/2003	Enge et al.					

* cited by examiner

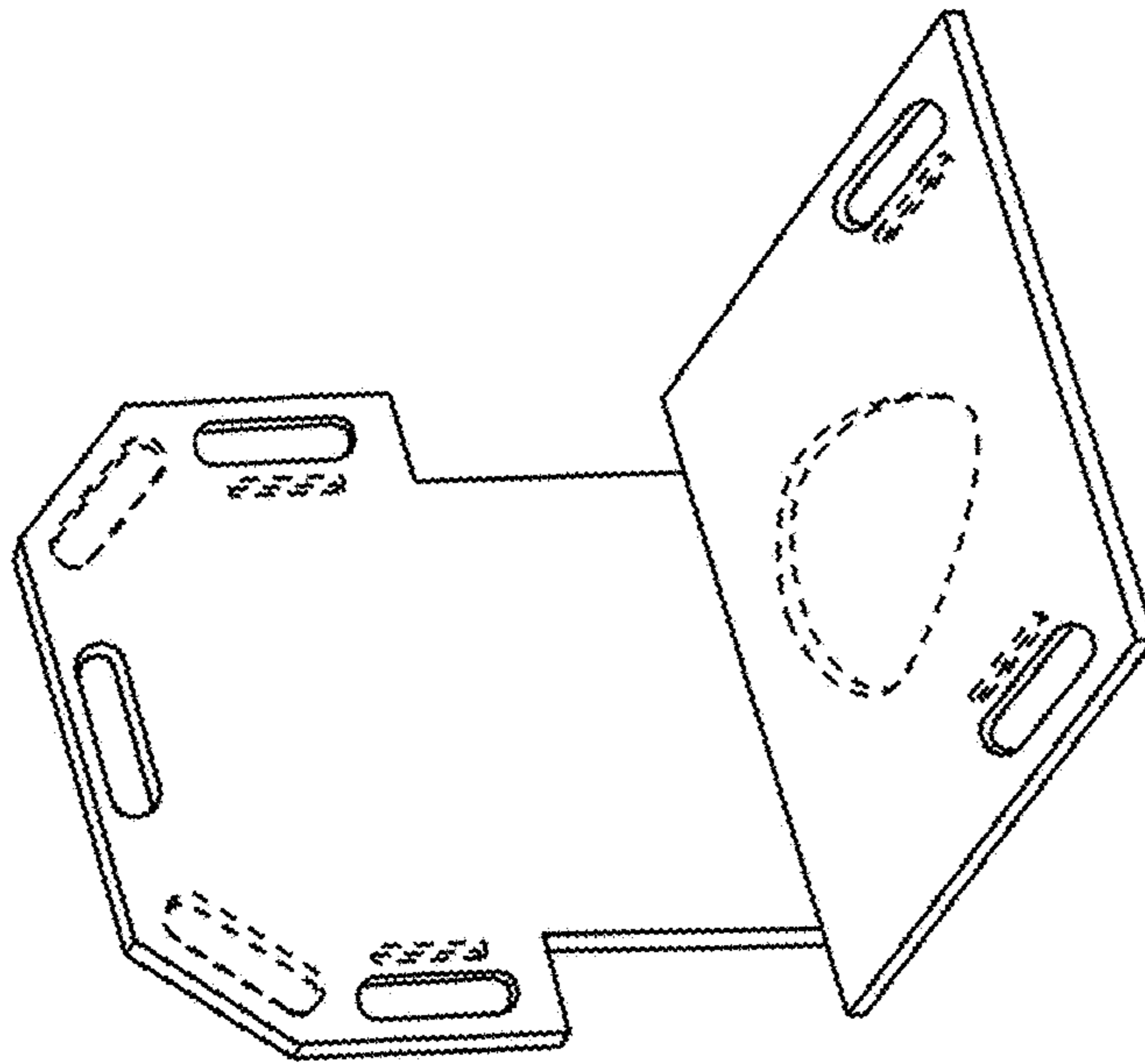


Figure 1

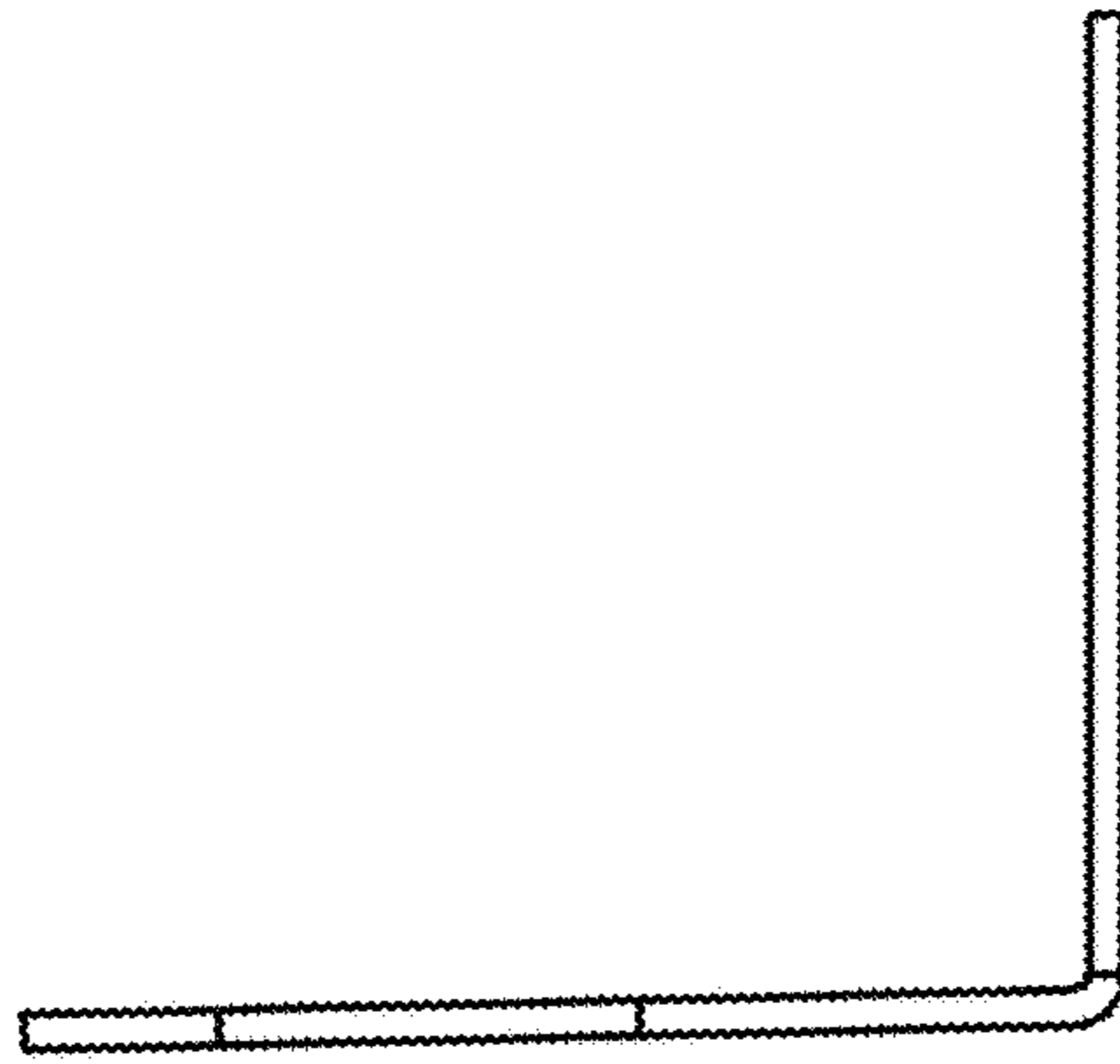


Figure 2

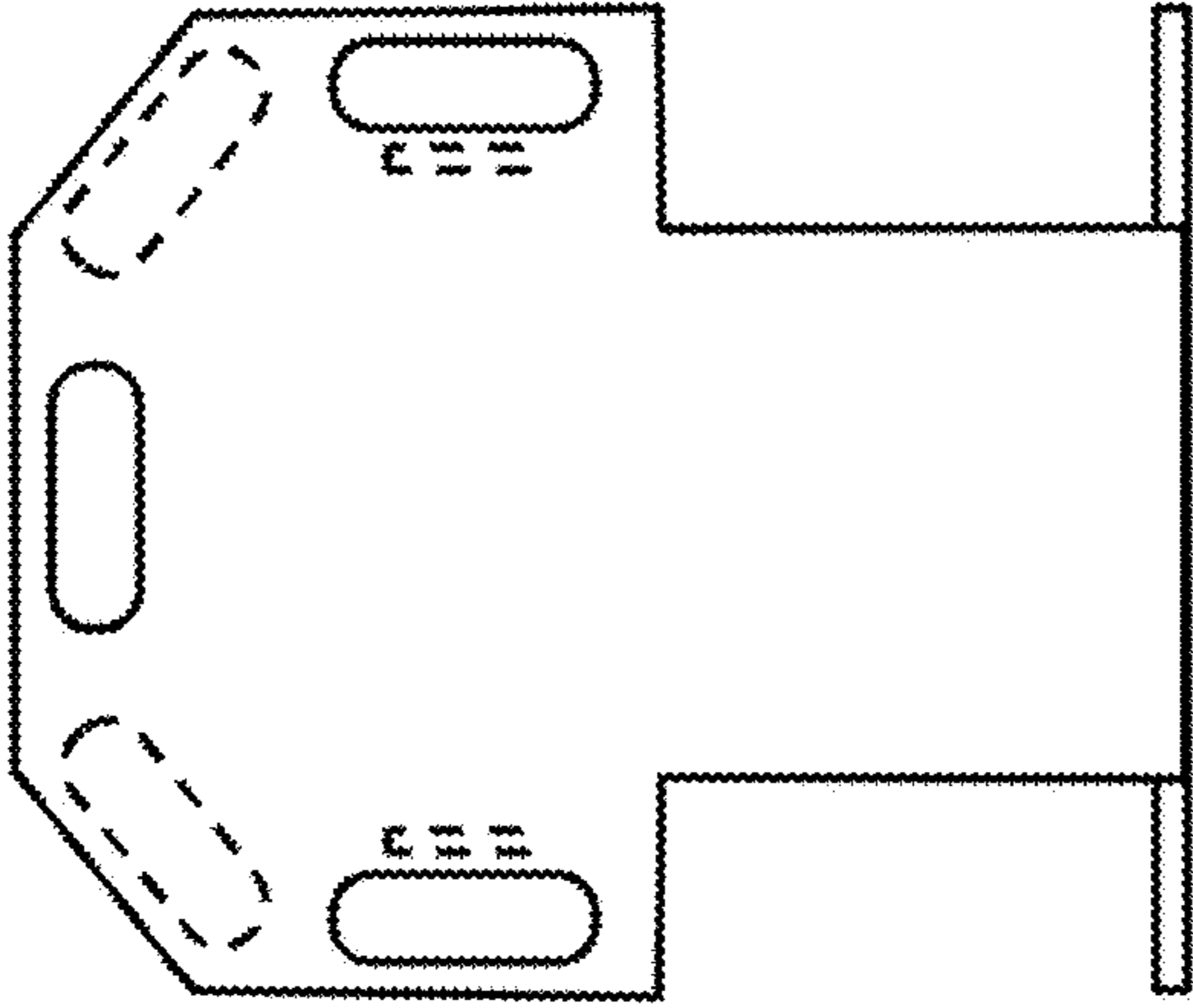


Figure 3

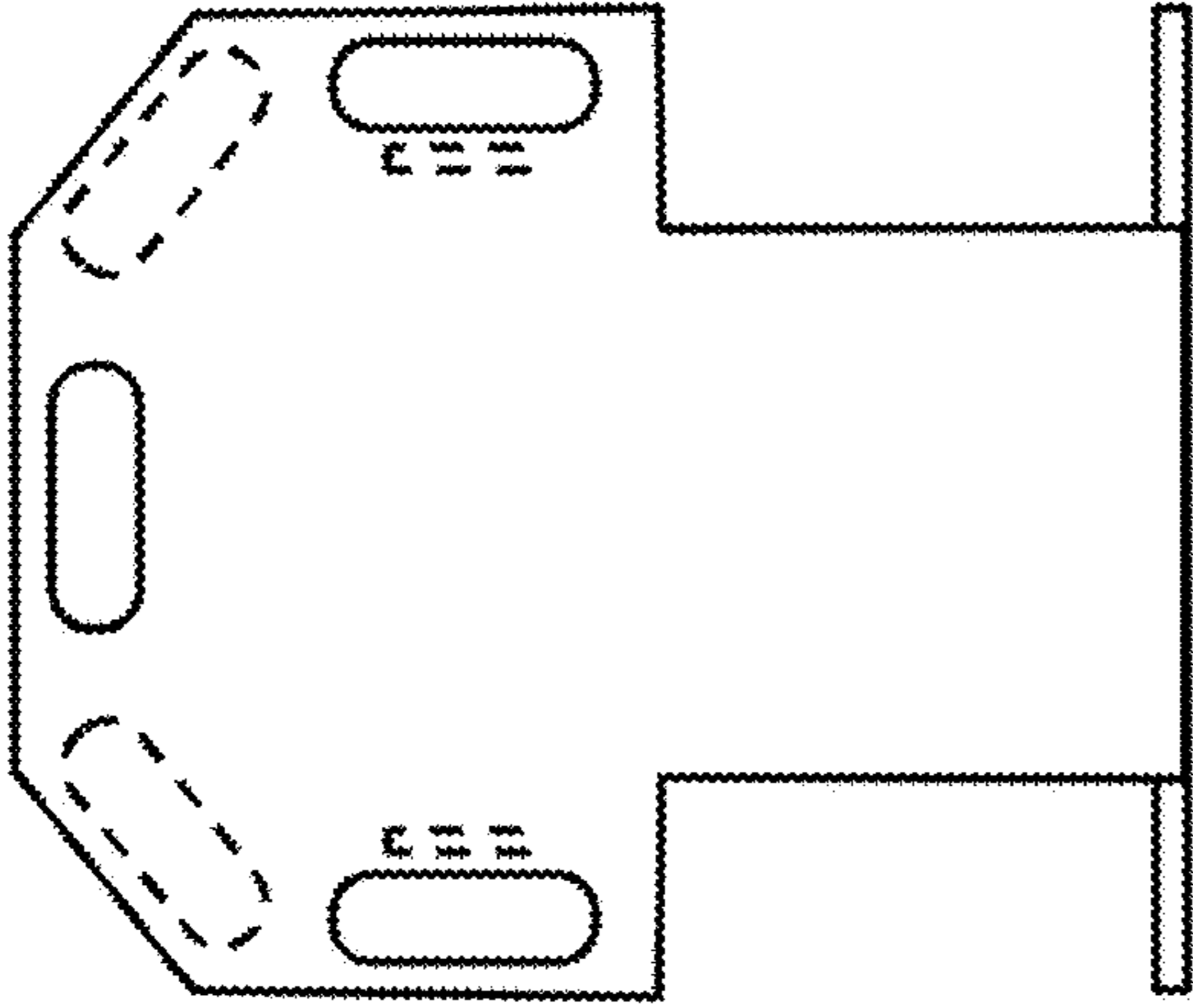


Figure 4

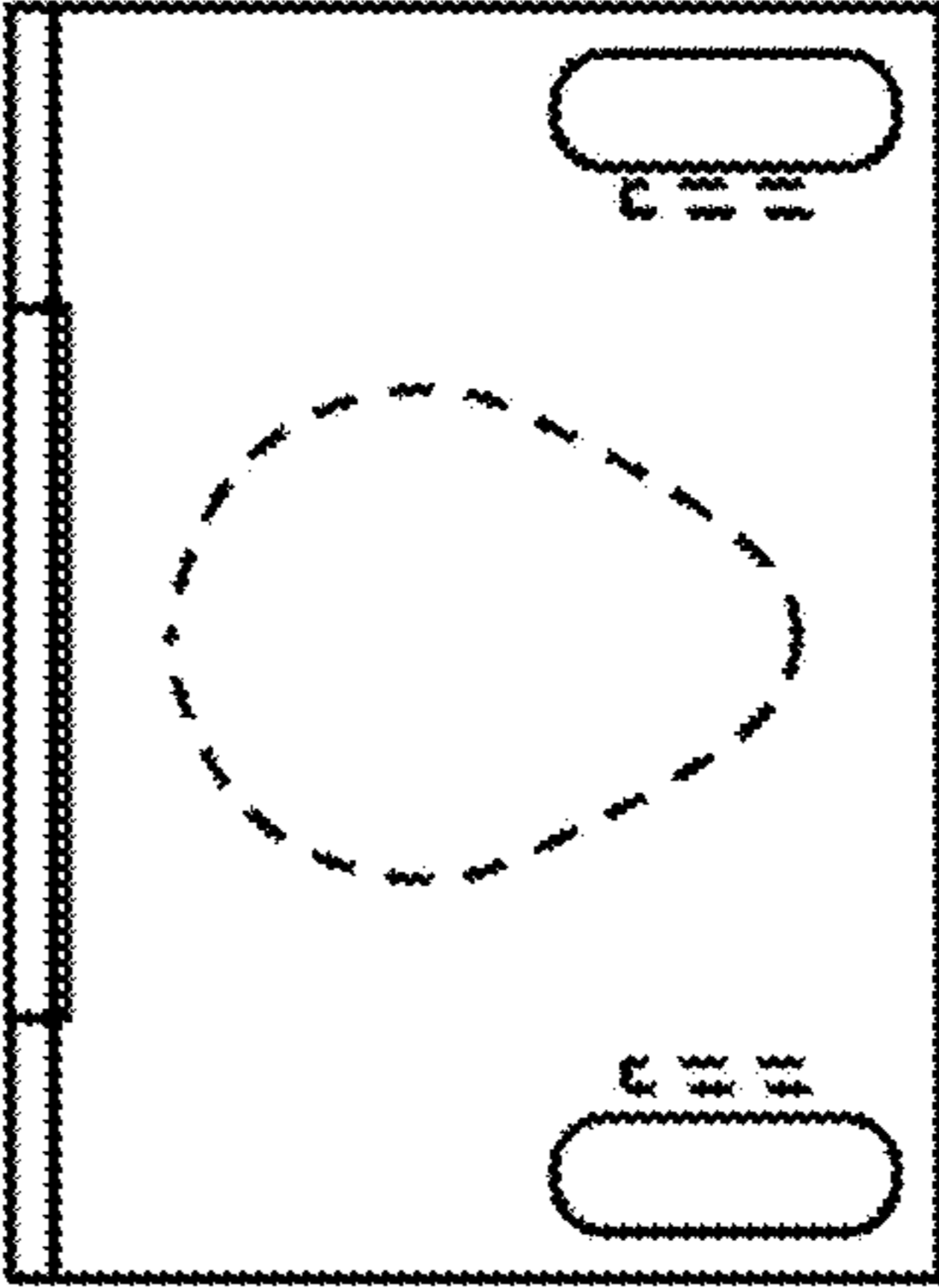


Figure 5

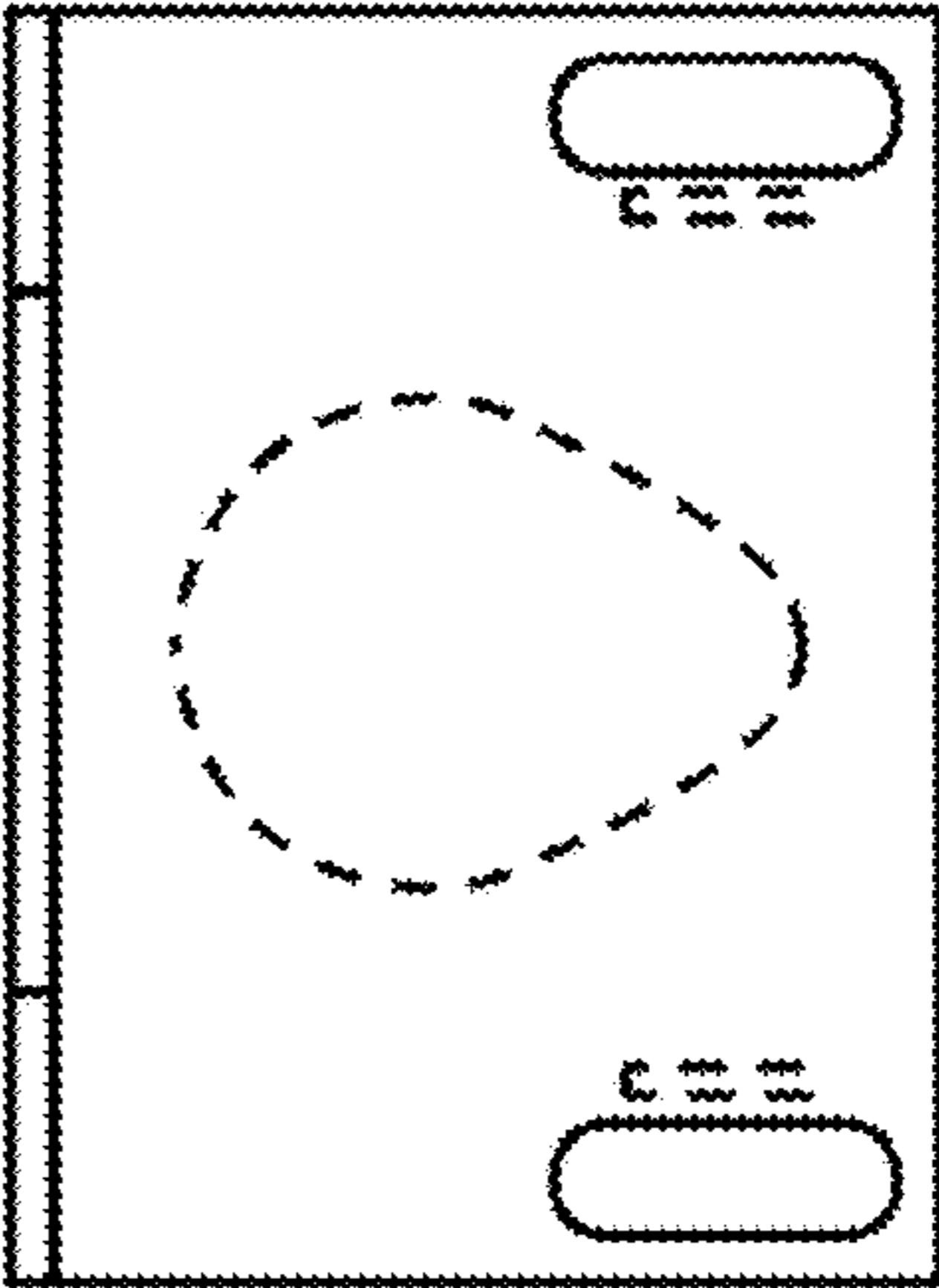


Figure 6

