



US00D786140S

(12) **United States Design Patent** (10) **Patent No.:** **US D786,140 S**
Bloch (45) **Date of Patent:** **** May 9, 2017**

(54) **BICYCLE WARNING SIGN**
(71) Applicant: **Janel Bloch**, Boca Raton, FL (US)
(72) Inventor: **Janel Bloch**, Boca Raton, FL (US)
(**) Term: **15 Years**
(21) Appl. No.: **29/553,930**
(22) Filed: **Feb. 5, 2016**

Related U.S. Application Data

(62) Division of application No. 29/493,464, filed on Jun. 10, 2014, now Pat. No. Des. 751,948.
(51) **LOC (10) Cl.** **12-11**
(52) **U.S. Cl.**
USPC **D12/114**; D10/109.1
(58) **Field of Classification Search**
USPC D12/114; D10/109.1, 109.2, 113.4;
D11/165, 166; D20/10, 17, 19, 22-29,
D20/40-42, 99; 248/287, 229, 475 B,
248/475 R, 476, 472, 479, 485, 487, 496;
403/53, 58, 78, 79
CPC B62J 1/28; B62J 6/00; B62J 6/20; B62J
15/00
See application file for complete search history.

References Cited

(56) **U.S. PATENT DOCUMENTS**
1,626,565 A * 4/1927 Stanton G09F 3/18
40/1
3,586,348 A * 6/1971 Rich, Jr. B62J 6/20
116/28 R
3,722,841 A * 3/1973 Ciolfi B62J 11/00
224/422
3,975,849 A * 8/1976 Tuleja B60Q 7/005
116/63 T

4,243,241 A * 1/1981 Davis B62J 15/00
280/158.1
4,321,883 A * 3/1982 Rupp B62J 6/20
116/35 A
4,422,615 A * 12/1983 McManus B62J 6/20
248/229.11
4,876,981 A * 10/1989 Barnhart G09F 17/00
116/173
D323,303 S * 1/1992 Johansson D10/111
D332,232 S * 1/1993 Johnson D12/223
D340,417 S * 10/1993 Popp D10/109.1
D383,080 S * 9/1997 Derrick D10/113.4
D397,632 S * 9/1998 Evanyk D10/113.4
D487,406 S * 3/2004 Anderson D10/109.1
D507,502 S * 7/2005 Willnow D10/113.4
D564,595 S * 3/2008 Barrett D20/29
D744,594 S * 12/2015 Bigham D20/10

* cited by examiner

Primary Examiner — Darlington Ly
(74) *Attorney, Agent, or Firm* — Robert C. Kain, Jr.

(57) **CLAIM**

The ornamental design for a bicycle warning sign, as shown and described.

DESCRIPTION

FIG. 1 is a front elevational view of the bicycle warning sign.
FIG. 2 is a right-side view of the bicycle warning sign.
FIG. 3 is a left-side view of the bicycle warning sign.
FIG. 4 is a top view of the bicycle warning sign.
FIG. 5 is a bottom view of the bicycle warning sign; and,
FIG. 6 is a rear view of the bicycle warning sign.
The broken line showing the bicycle is for the purpose of illustrating an environmental structure and forms no part of the claimed design.

1 Claim, 6 Drawing Sheets

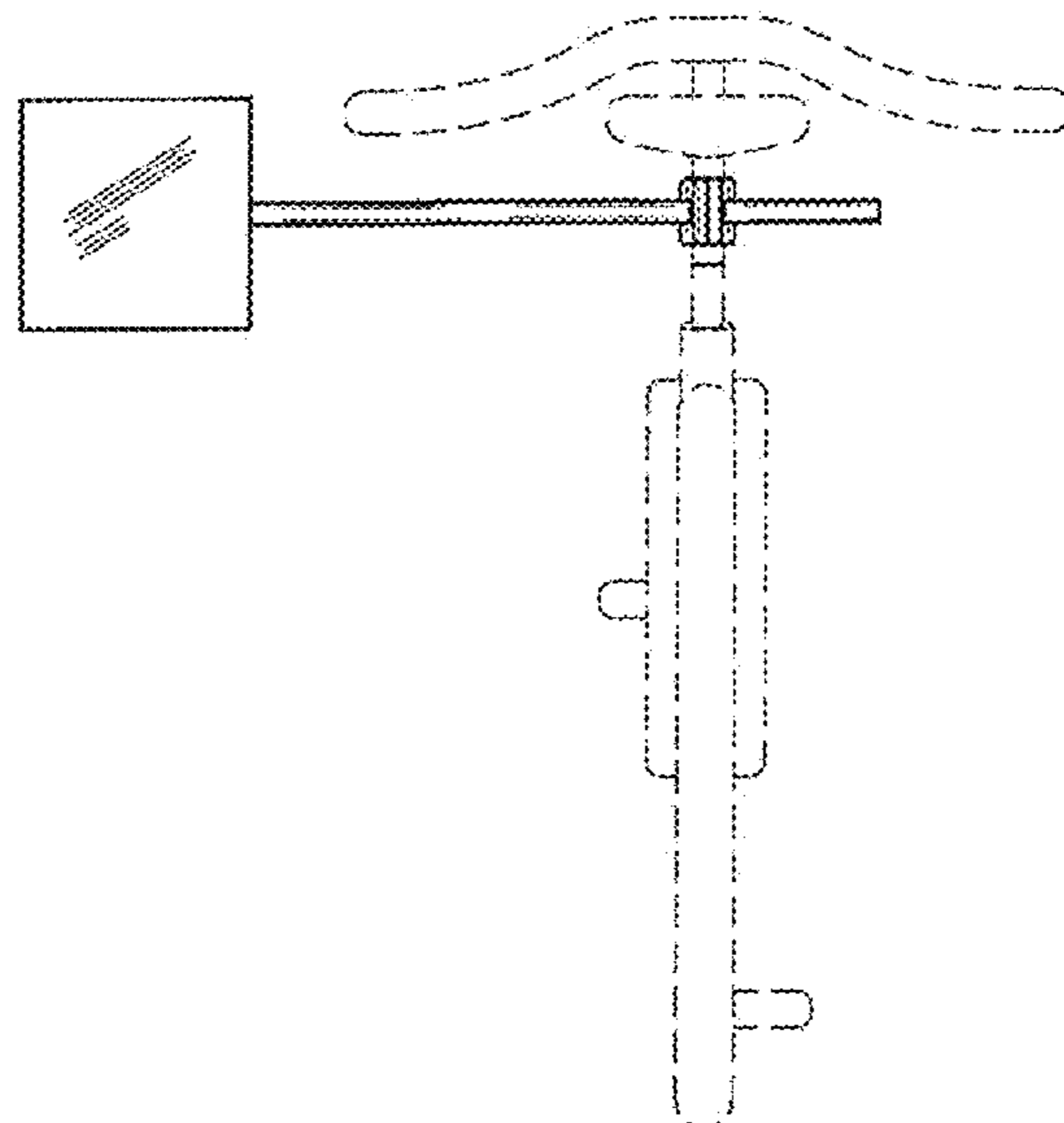


FIG. 1

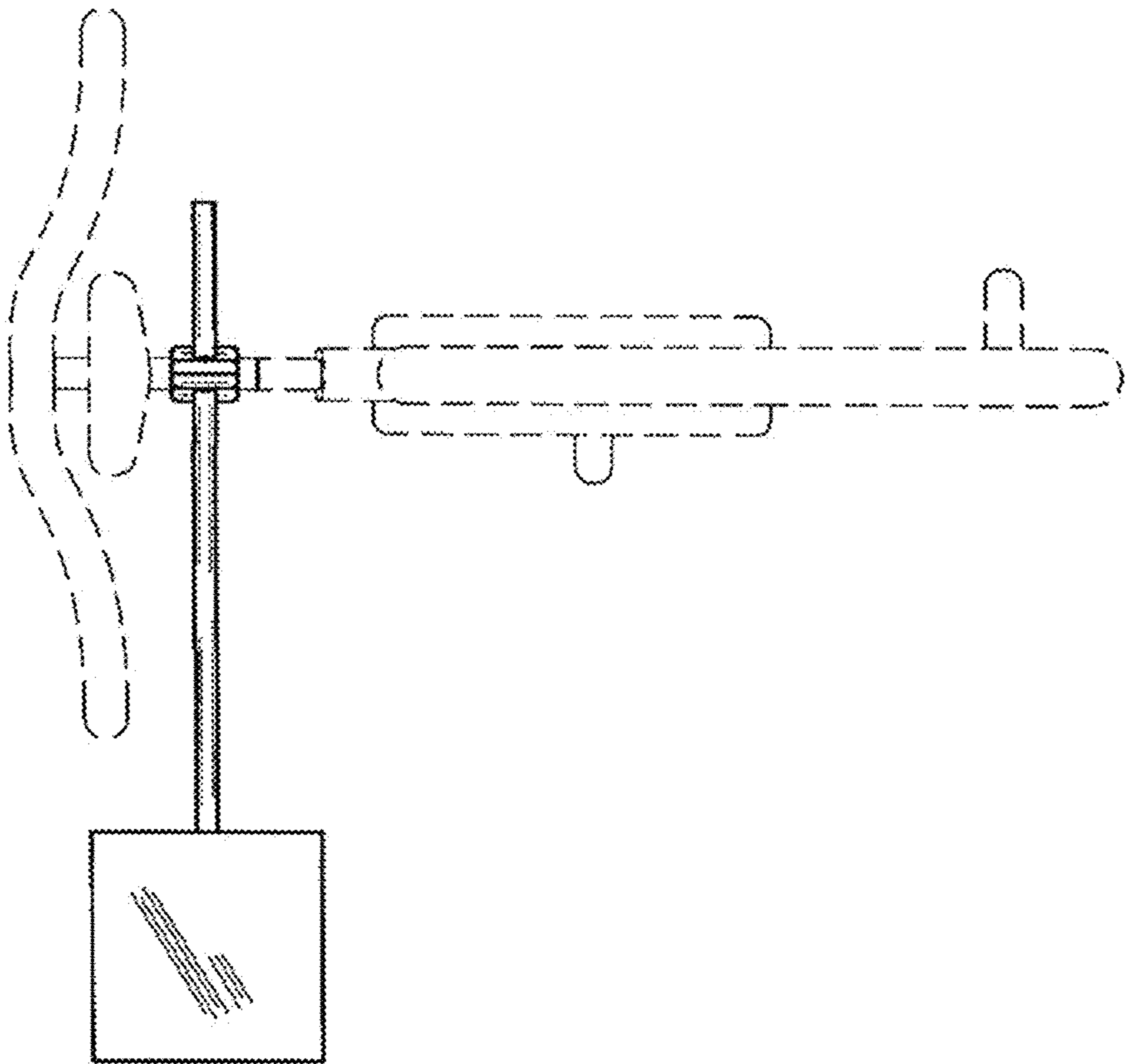


FIG. 2

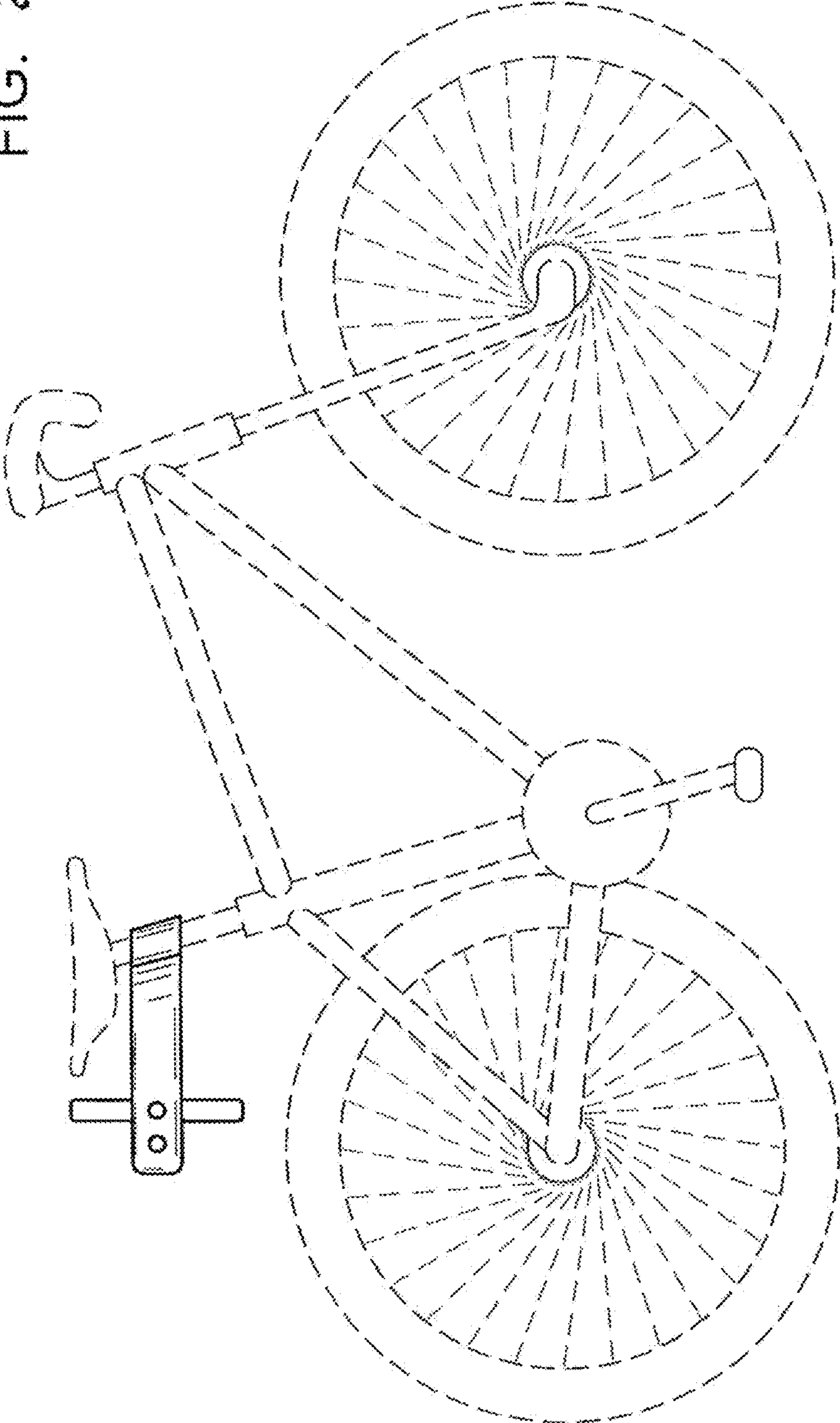


FIG. 3

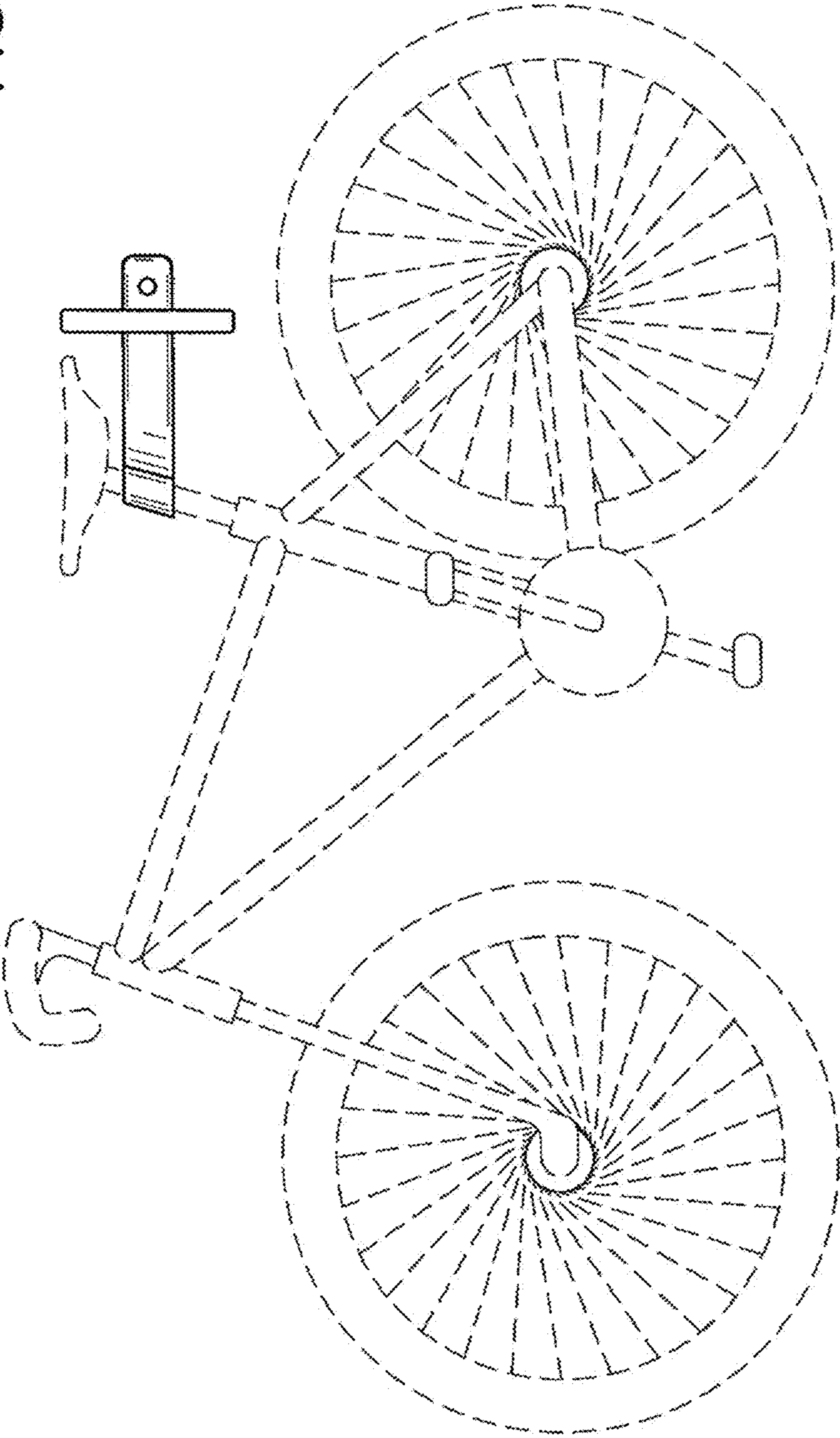


FIG. 4

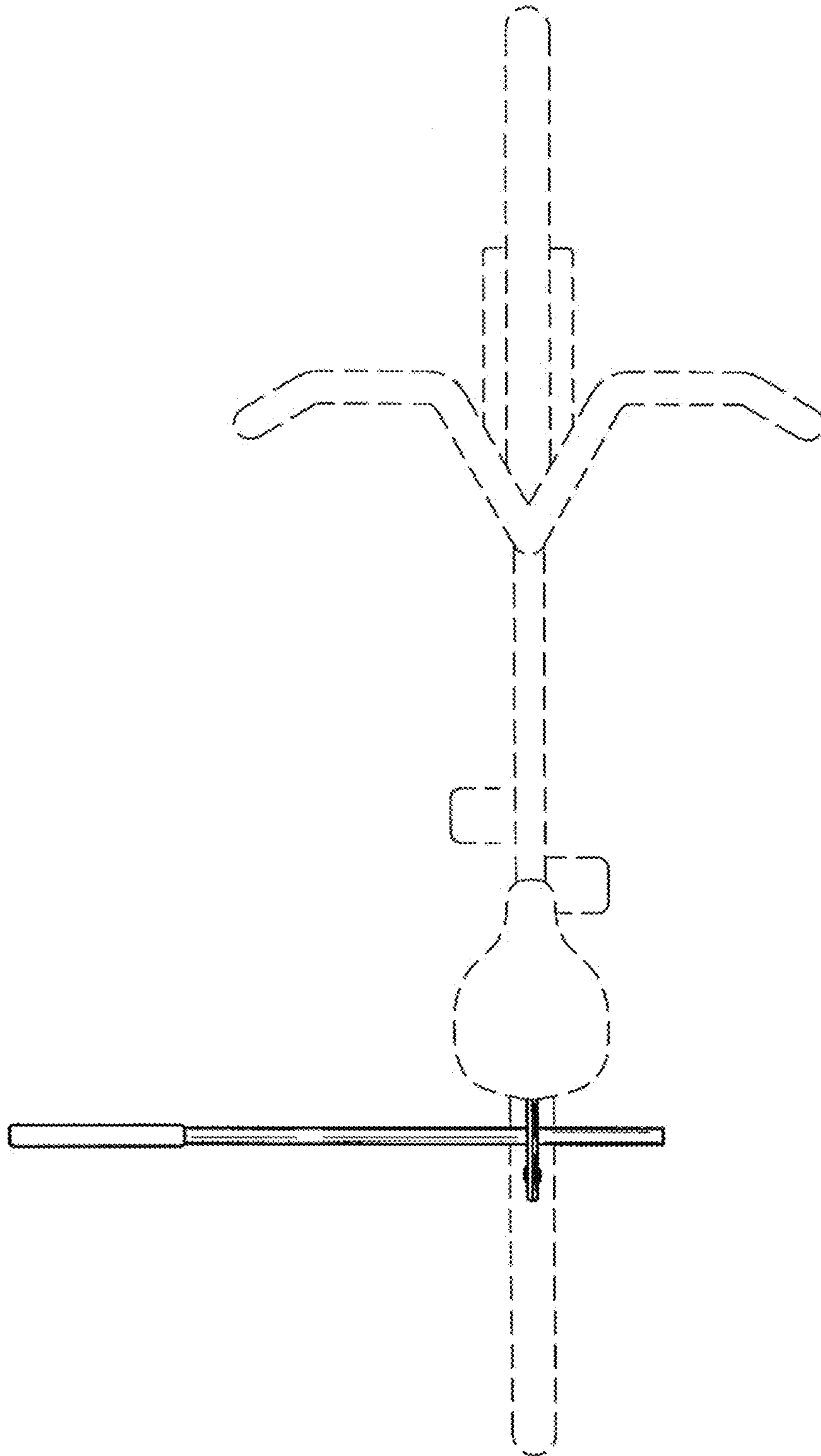


FIG. 5

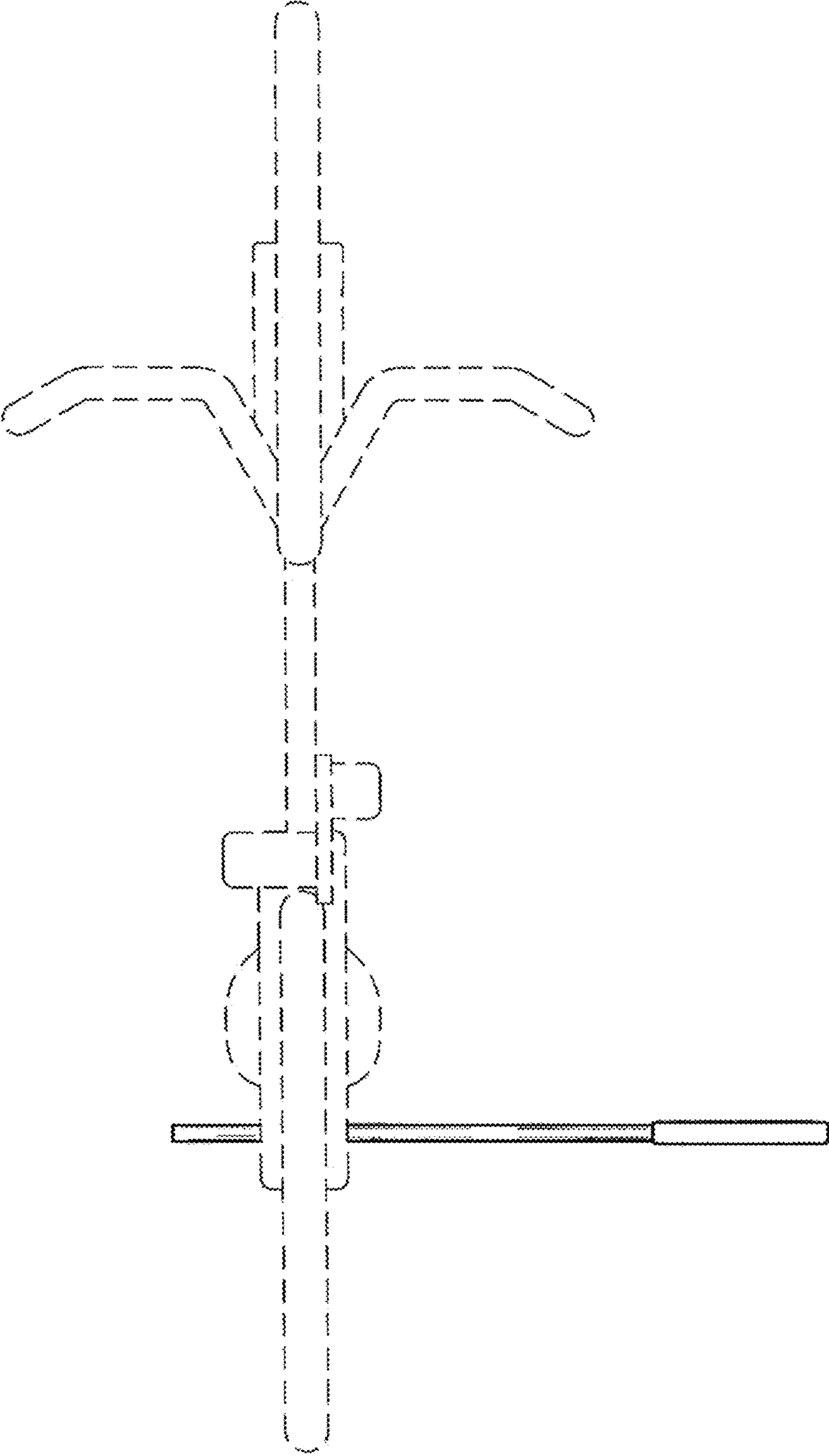


FIG. 6

