



US00D786139S

(12) **United States Design Patent** (10) **Patent No.:** **US D786,139 S**
Yaffe (45) **Date of Patent:** **** May 9, 2017**

(54) **MOTORCYCLE FAIRING SUPPORT BAR**

(71) Applicant: **Paul Yaffe**, Phoenix, AZ (US)

(72) Inventor: **Paul Yaffe**, Phoenix, AZ (US)

(**) Term: **15 Years**

(21) Appl. No.: **29/532,846**

(22) Filed: **Jul. 10, 2015**

(51) **LOC (10) Cl.** **12-11**

(52) **U.S. Cl.**
USPC **D12/114**

(58) **Field of Classification Search**
USPC D12/114, 115, 110, 117, 119, 126, 223,
D12/406, 407
CPC B62J 11/00; B62J 9/00; B62J 17/00; B62J
27/00

See application file for complete search history.

(56) **References Cited**

U.S. PATENT DOCUMENTS

4,331,344	A *	5/1982	Vetter	B62J 17/02 280/270
4,423,901	A *	1/1984	Shumard	B62J 17/00 280/304.3
D281,412	S *	11/1985	Barnhart	D12/190
D394,635	S *	5/1998	Saunders	D12/400
5,762,249	A *	6/1998	Hann	B62J 9/00 224/413
D491,493	S *	6/2004	Stahel	D12/114
D504,362	S *	4/2005	Thompson	D12/115
D521,416	S *	5/2006	Lindby	D12/114

D521,923	S *	5/2006	Ellis	D12/223
7,159,887	B2 *	1/2007	Barnes	B62K 11/04 180/219
D548,142	S *	8/2007	Lindby	D12/114
D568,214	S *	5/2008	Greenfield	D12/114
D575,199	S *	8/2008	Stahel, Jr.	D12/114
D623,576	S *	9/2010	Lemieux	D12/223
2005/0252331	A1 *	11/2005	Chen	B62K 21/125 74/551.8

* cited by examiner

Primary Examiner — George D Kirschbaum

Assistant Examiner — Clese Moore, Jr.

(74) *Attorney, Agent, or Firm* — Ice Miller LLP

(57) **CLAIM**

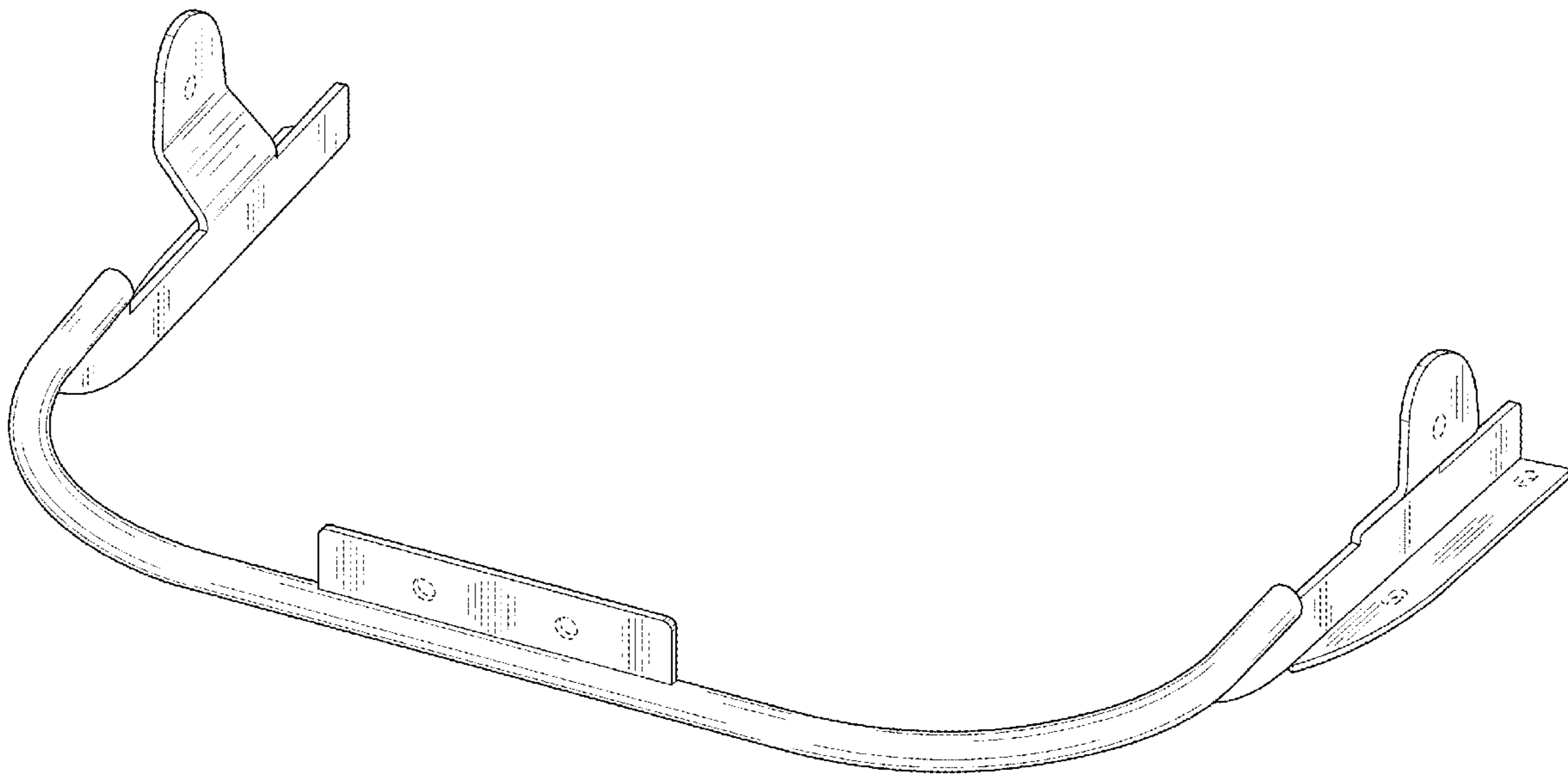
The ornamental design for a motorcycle fairing support bar, as shown and described.

DESCRIPTION

FIG. 1 is a front perspective view of the motorcycle fairing support bar;
FIG. 2 is a front elevation view thereof;
FIG. 3 is a rear elevation view thereof;
FIG. 4 is a left side elevation view thereof;
FIG. 5 is a right side elevation view thereof;
FIG. 6 is a top plan view thereof;
FIG. 7 is a bottom plan view thereof; and,
FIG. 8 is a right side elevation view motorcycle fairing support bar in use.

The broken line showing of parts of the drawings is included for the purpose of illustrating use and environment and forms no part of the claimed design.

1 Claim, 6 Drawing Sheets



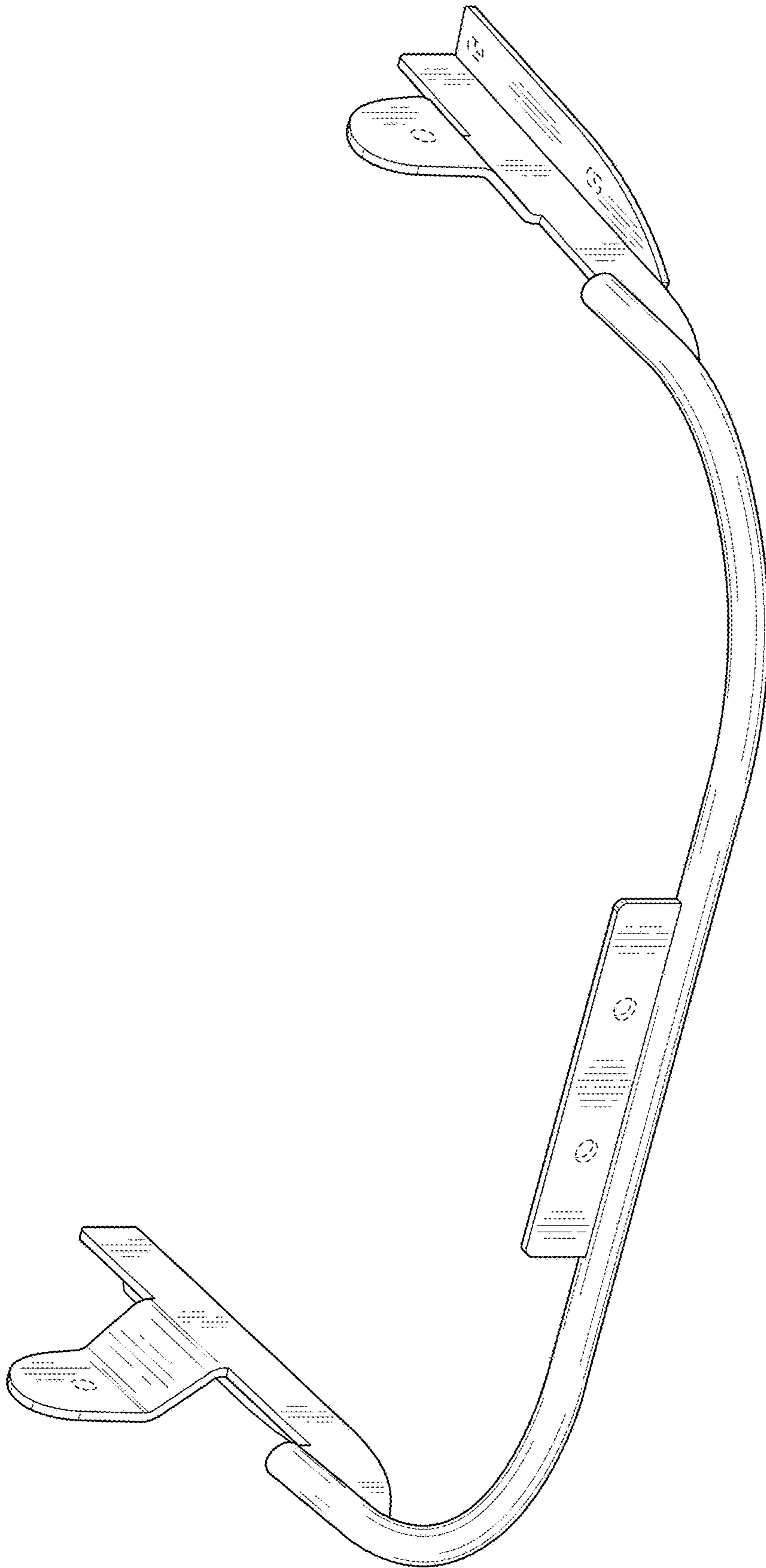


FIG. 1

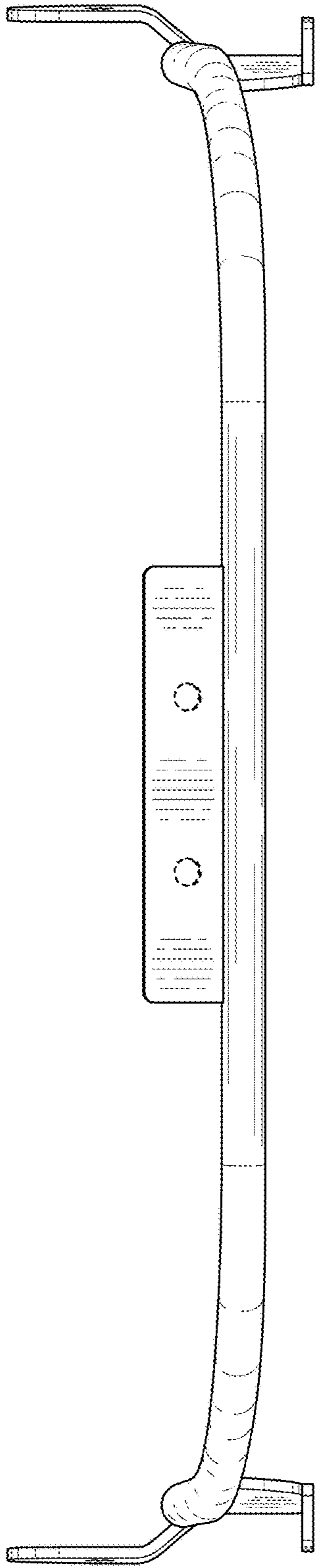


FIG. 2

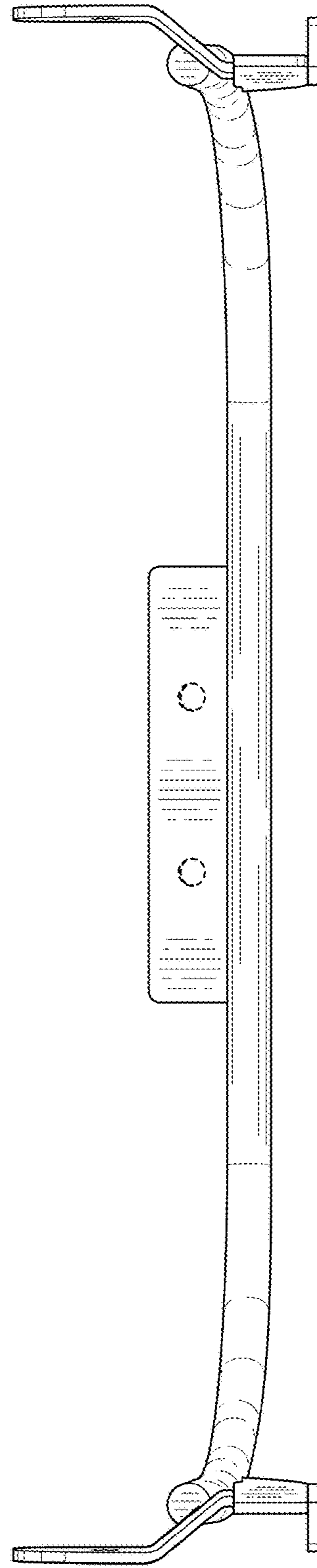


FIG. 3

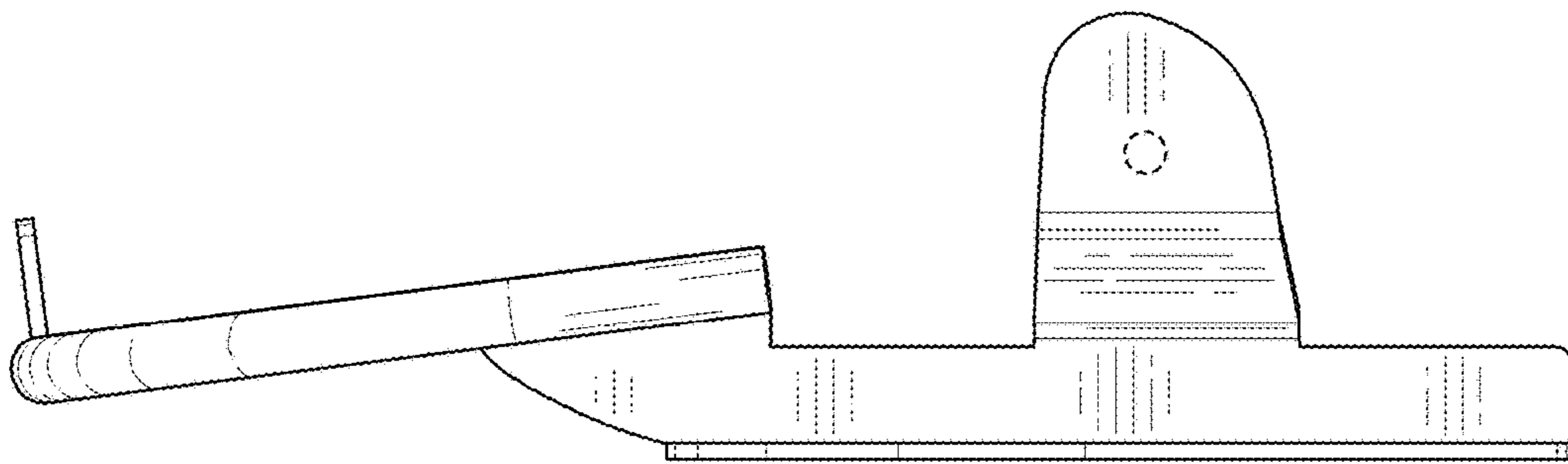


FIG. 4

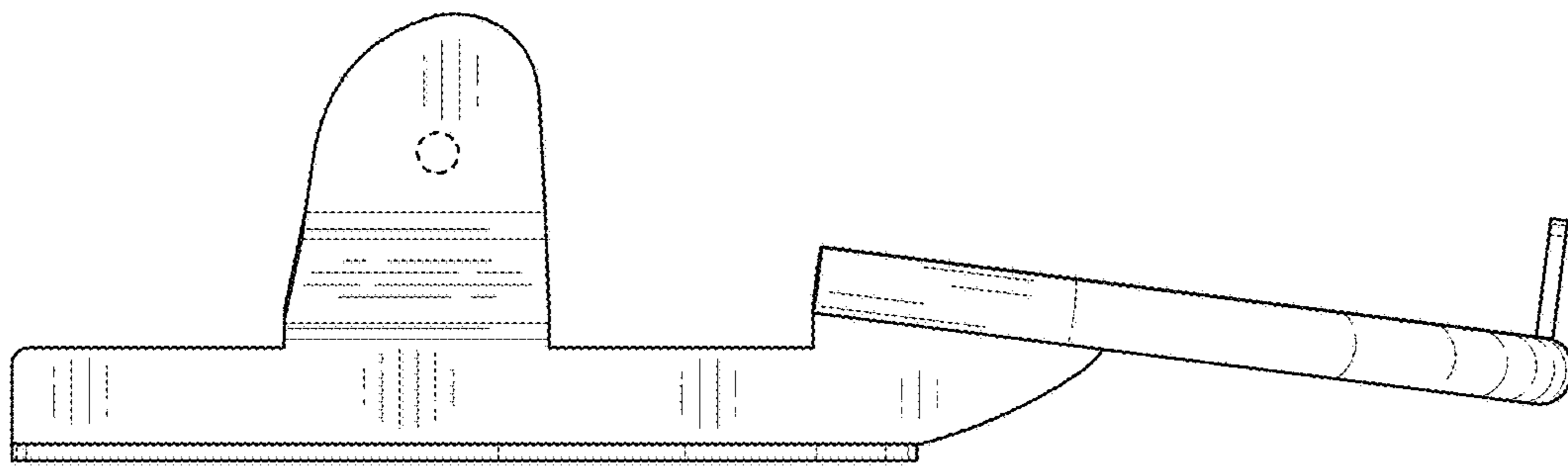


FIG. 5

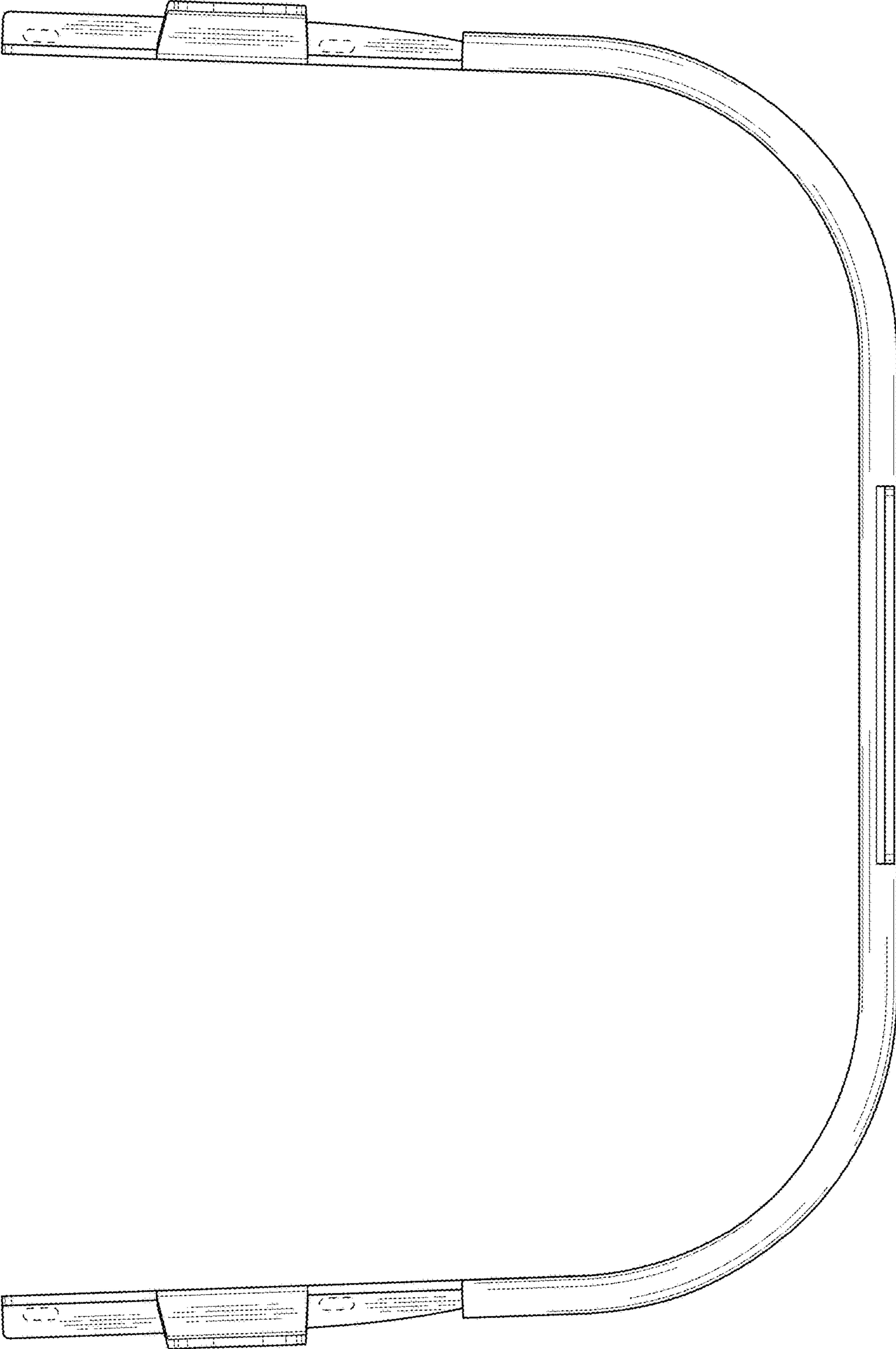


FIG. 6

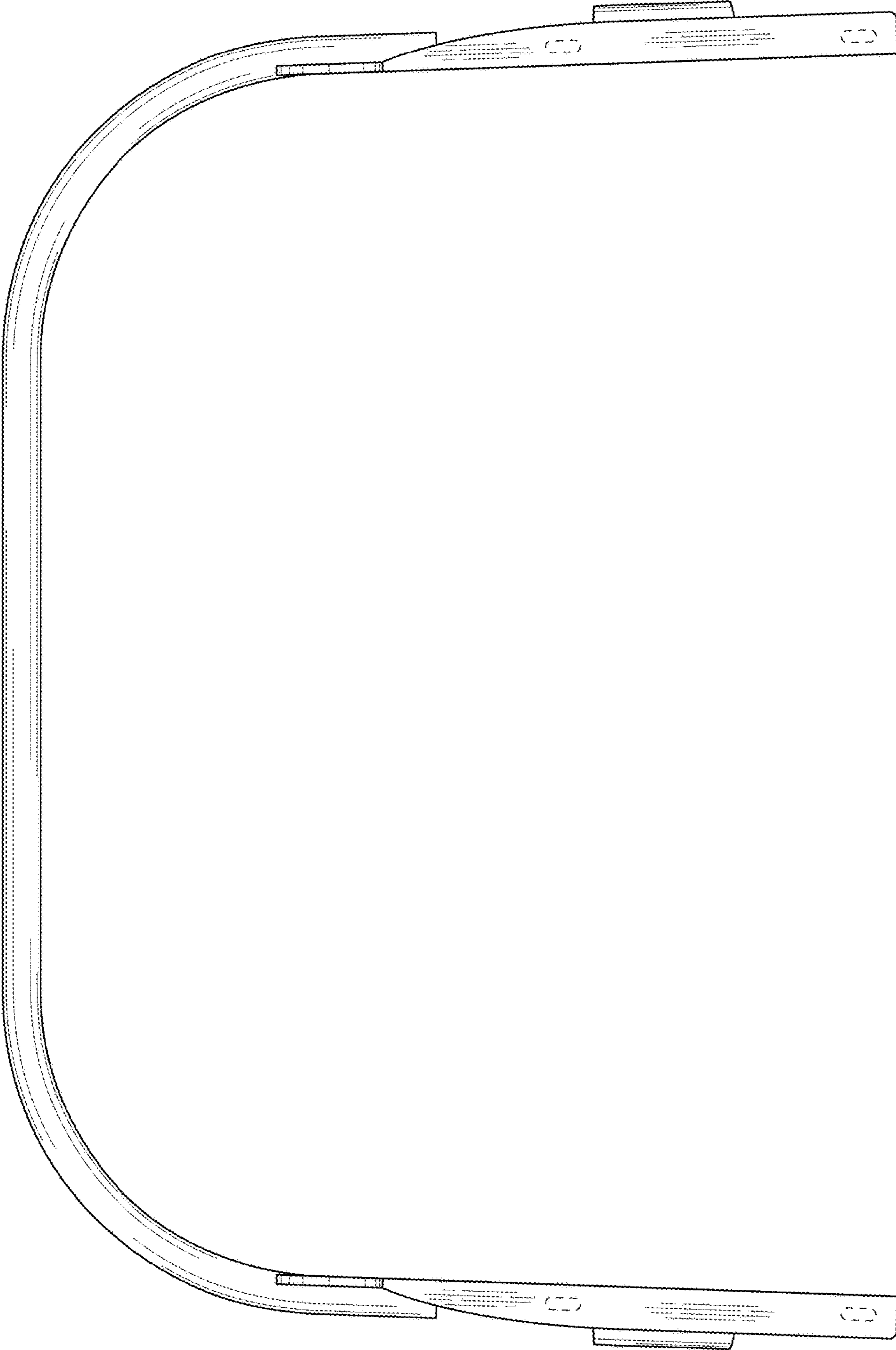


FIG. 7

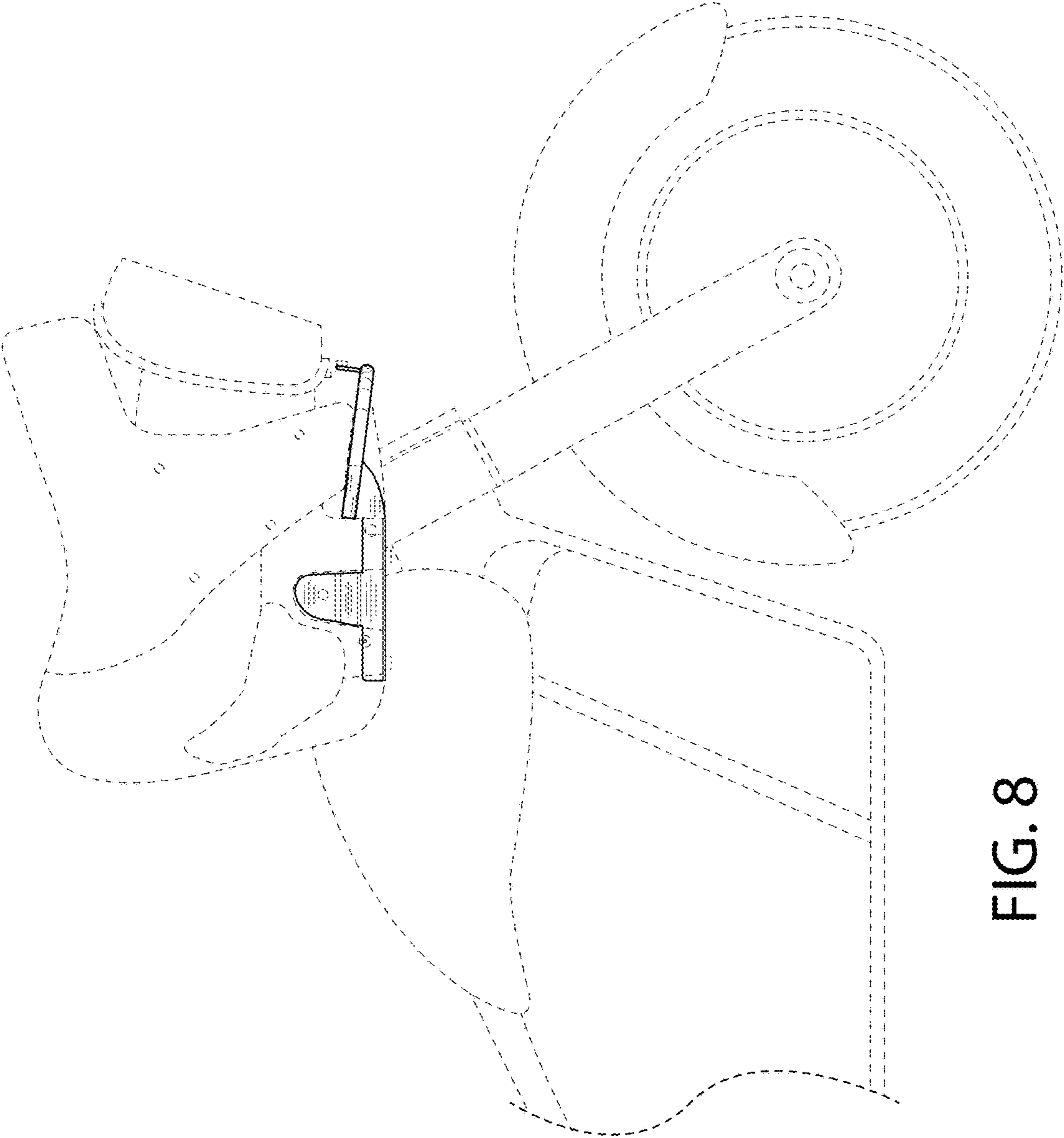


FIG. 8