



US00D786138S

(12) **United States Design Patent** (10) **Patent No.:** **US D786,138 S**
Ahdoot et al. (45) **Date of Patent:** **** May 9, 2017**

(54) **BICYCLE AXLE NUT**
(71) Applicant: **Revlock, LLC**, Los Angeles, CA (US)
(72) Inventors: **Michael Ahdoot**, Los Angeles, CA (US); **Amir Atighehchi**, Los Angeles, CA (US); **Owen Zheng**, Los Angeles, CA (US); **Huy Tran**, Los Angeles, CA (US); **Jazzmin Martinez**, Los Angeles, CA (US)

5,340,256 A 8/1994 Morgan
D376,565 S * 12/1996 Davidson D12/126
D376,567 S * 12/1996 Davidson D12/126
D376,568 S * 12/1996 Davidson D12/126
5,863,166 A 1/1999 Young
D410,869 S * 6/1999 Singer D12/114
D412,435 S * 8/1999 Cultice, Jr. D8/397
D427,549 S * 7/2000 White D12/114
D430,072 S * 8/2000 Harrison D12/114

(Continued)

FOREIGN PATENT DOCUMENTS

(73) Assignee: **REVLOCK, LLC**, Beverly Hills, CA (US)

FR 1038363 9/1953
FR 2338628 8/1977

(**) Term: **15 Years**

Primary Examiner — George D. Kirschbaum
Assistant Examiner — Clese Moore, Jr.

(21) Appl. No.: **29/529,126**

(74) *Attorney, Agent, or Firm* — Intellectual Property Law Offices of Joel Voelzke, APC

(22) Filed: **Jun. 4, 2015**

(51) **LOC (10) Cl.** **12-11**

(52) **U.S. Cl.**
USPC **D12/114**

(58) **Field of Classification Search**
USPC D12/114, 115, 117, 126, 400, 110, 159, D12/160, 207; D8/382, 352, 399
CPC . F16B 23/0061; B62K 25/02; B62K 2206/00; B25B 13/485
See application file for complete search history.

(57) **CLAIM**

The ornamental design for a bicycle axle nut, as shown and described.

DESCRIPTION

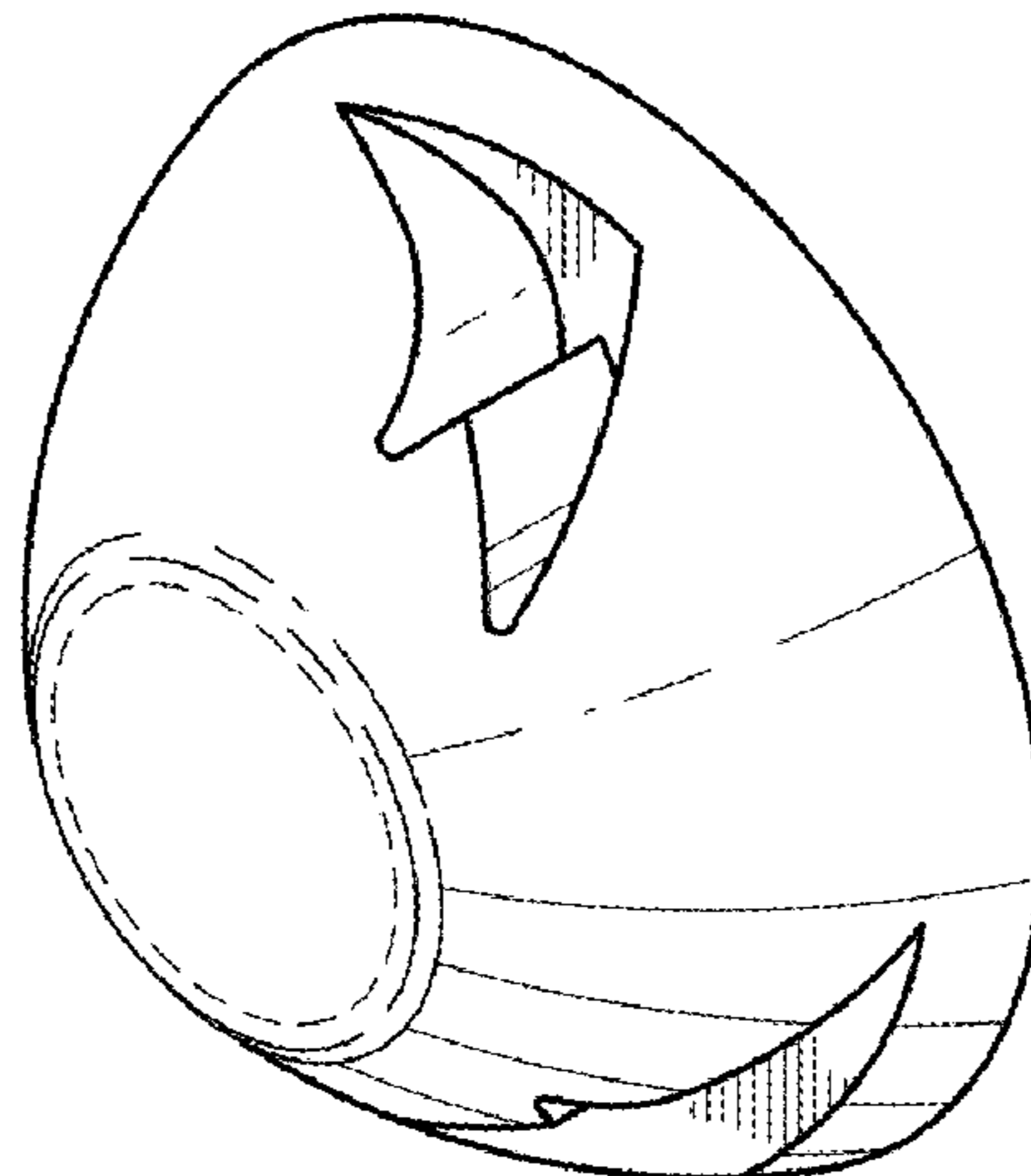
This application is related to U.S. patent application Ser. No. 29/529,127 filed Jun. 4, 2015.
FIG. 1 is an oblique view of a bicycle axle nut showing our new design;
FIG. 2 is a side elevation view showing the front side thereof;
FIG. 3 is a side elevation view showing the left side thereof;
FIG. 4 is a side elevation view showing the rear thereof;
FIG. 5 is a side elevation view showing the right side thereof;
FIG. 6 is a top plan view thereof; and,
FIG. 7 is a bottom plan view thereof.
The broken lines shown illustrate portions of the bicycle axle nut that form no part of the claimed design.

(56) **References Cited**

U.S. PATENT DOCUMENTS

2,770,998 A 11/1956 Schwartz
3,313,198 A 4/1967 Walton
4,018,111 A 4/1977 Goldhaber
4,125,051 A 11/1978 Herkes et al.
4,302,137 A 11/1981 Hart
D285,169 S * 8/1986 Resan D23/260
4,674,306 A 6/1987 Halpern
4,825,669 A 5/1989 Herrera
5,033,501 A 7/1991 Stehling
D332,929 S * 2/1993 Van Dyke D12/117
5,199,838 A 4/1993 Luke et al.

1 Claim, 2 Drawing Sheets



(56)

References Cited

U.S. PATENT DOCUMENTS

D447,444	S *	9/2001	Rougier	D12/114
6,341,927	B2	1/2002	Hampson et al.	
D476,925	S *	7/2003	Bethlenfalvy	D12/126
D517,960	S *	3/2006	Hoffman	D12/114
D654,421	S *	2/2012	Sugiyama	D12/400
D696,932	S *	1/2014	Rodenhouse	D8/399
D769,708	S *	10/2016	Smith	D8/399
2001/0041112	A1 *	11/2001	Hampson	F16B 23/0069
				411/402
2008/0145181	A1 *	6/2008	Lynes	B25B 13/065
				411/403
2015/0354620	A1 *	12/2015	Ahdoot	F16B 41/005
				411/167

* cited by examiner

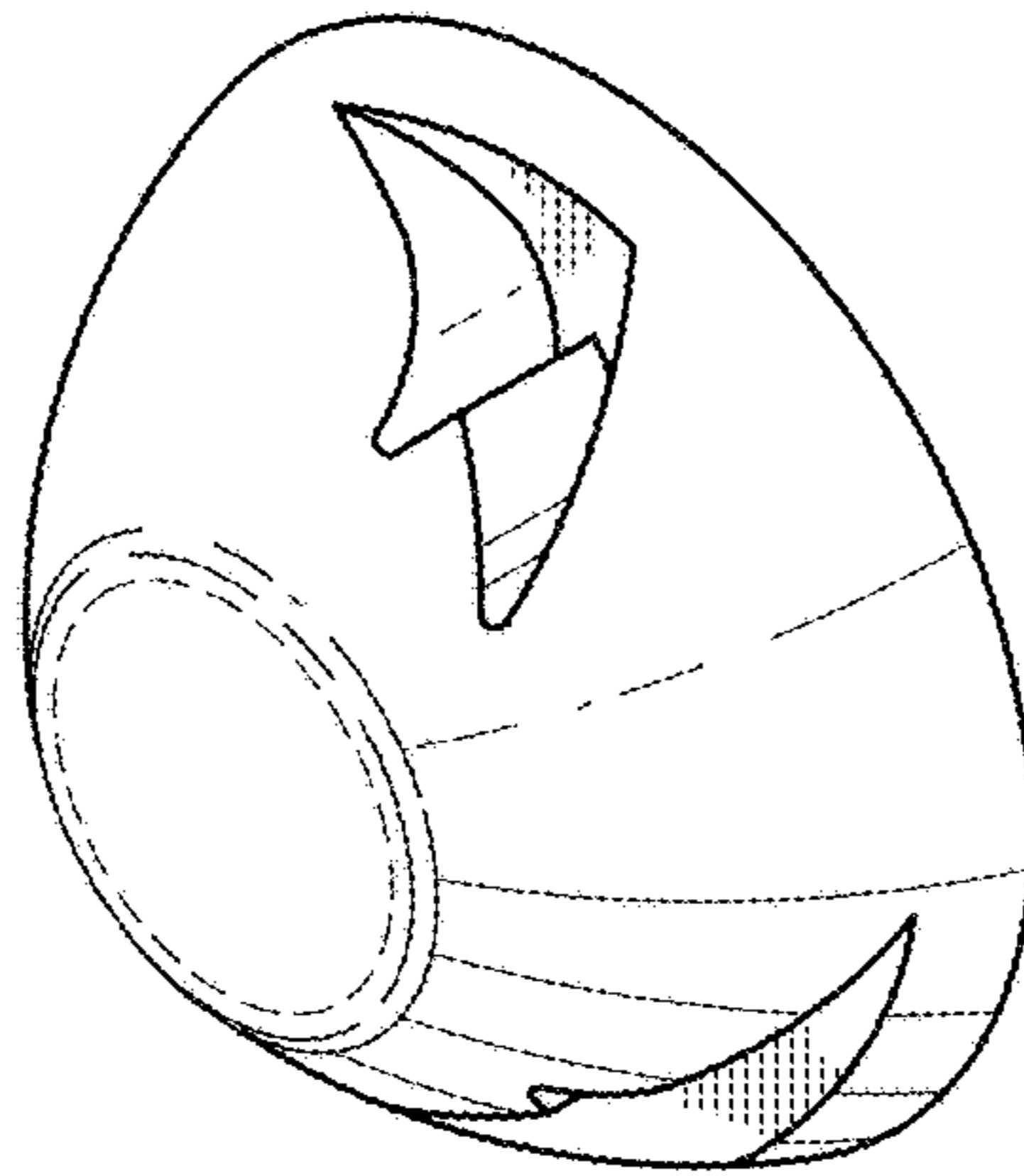


FIG. 1

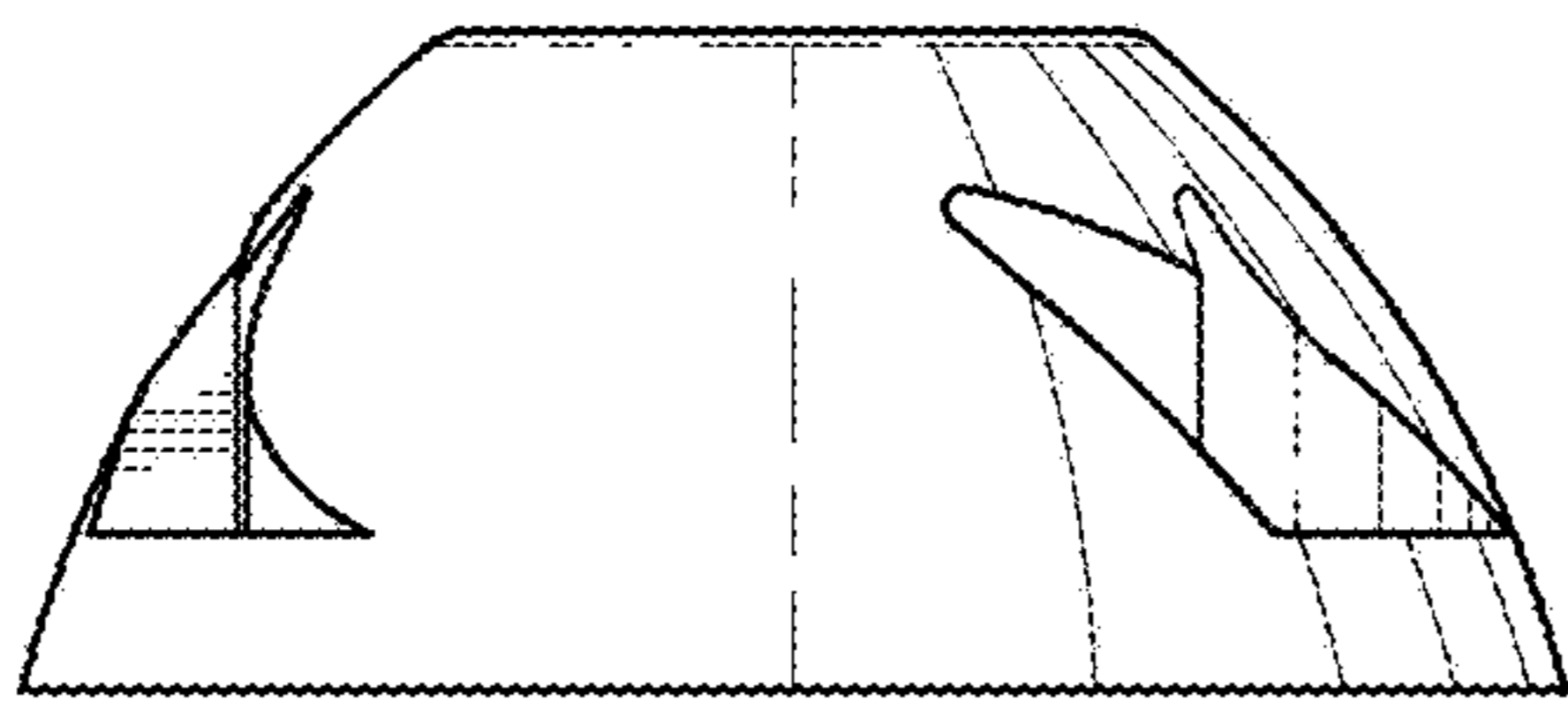


FIG. 2

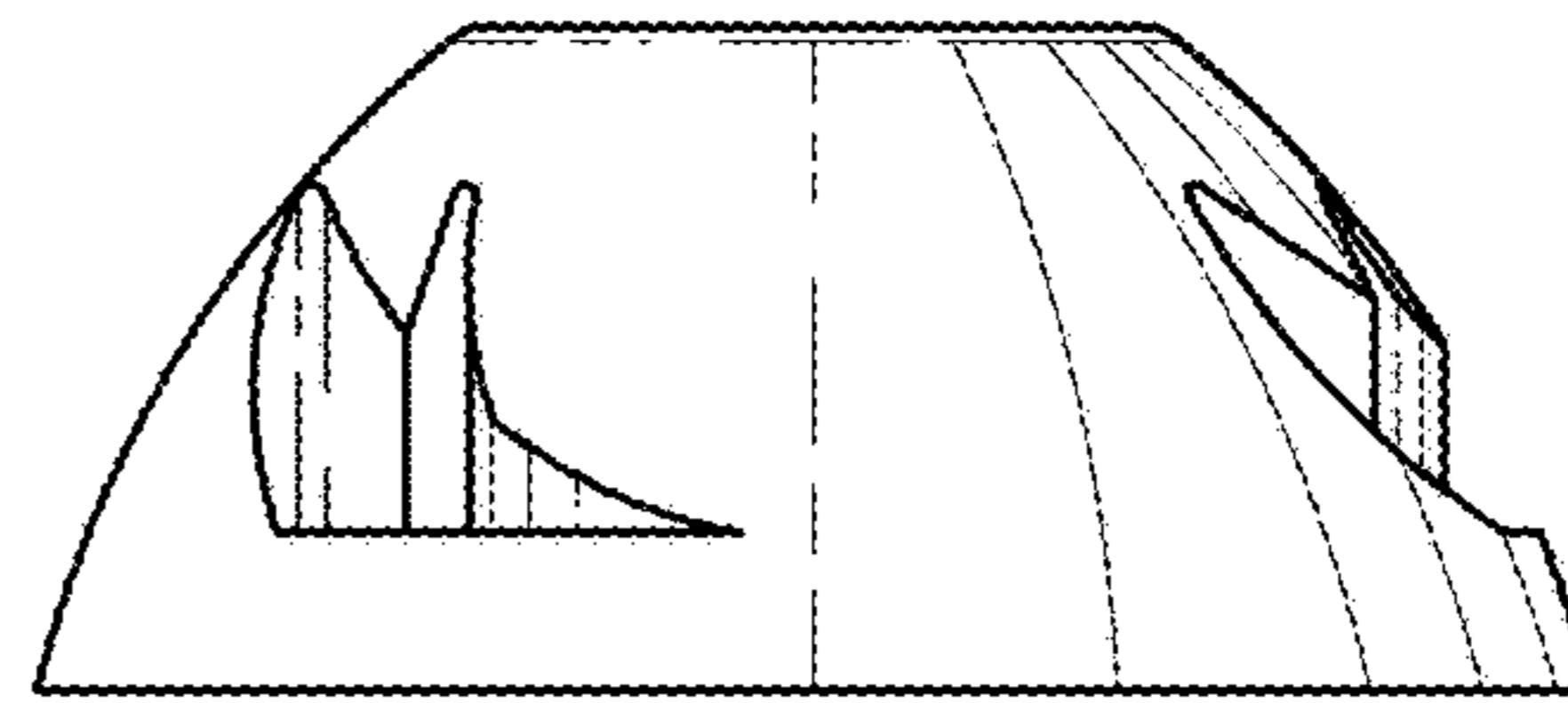


FIG. 3

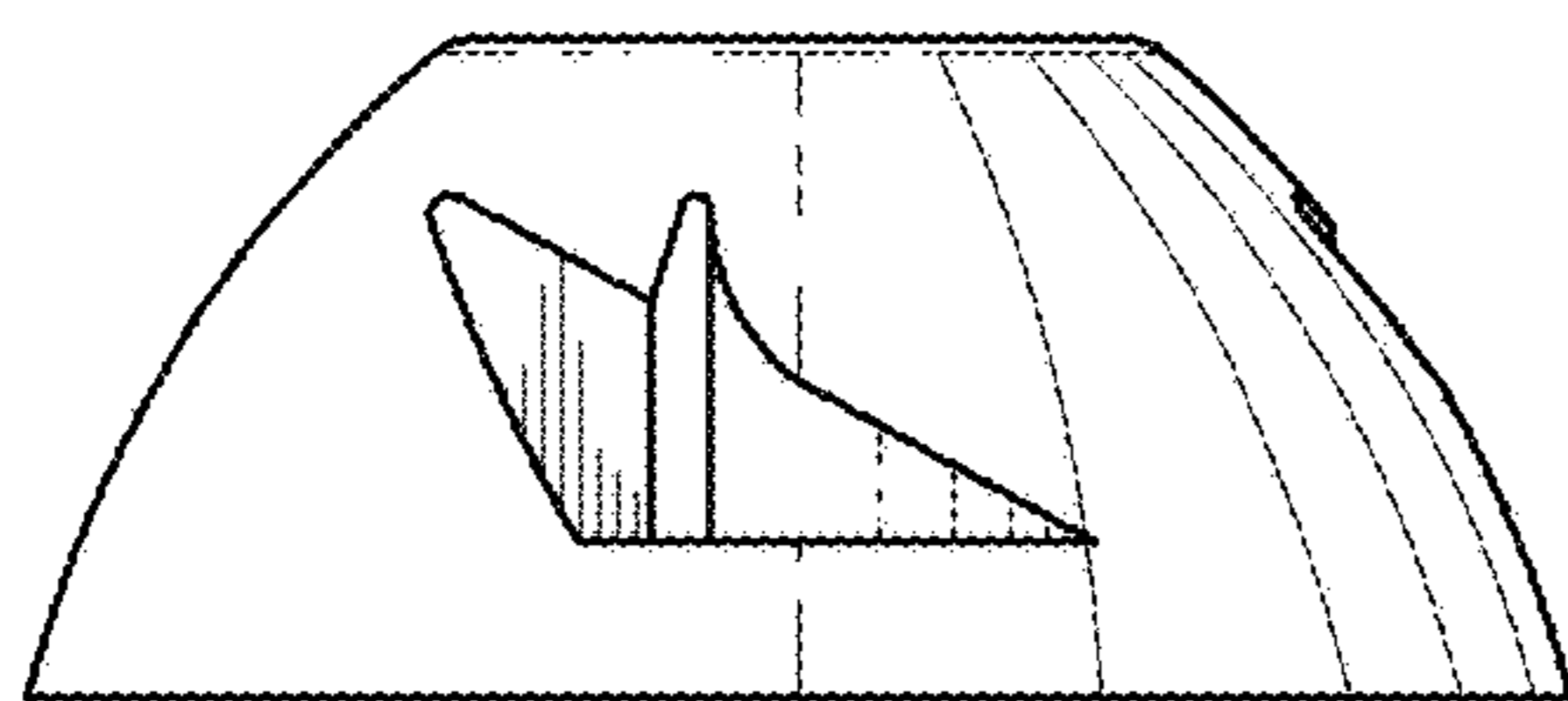


FIG. 4

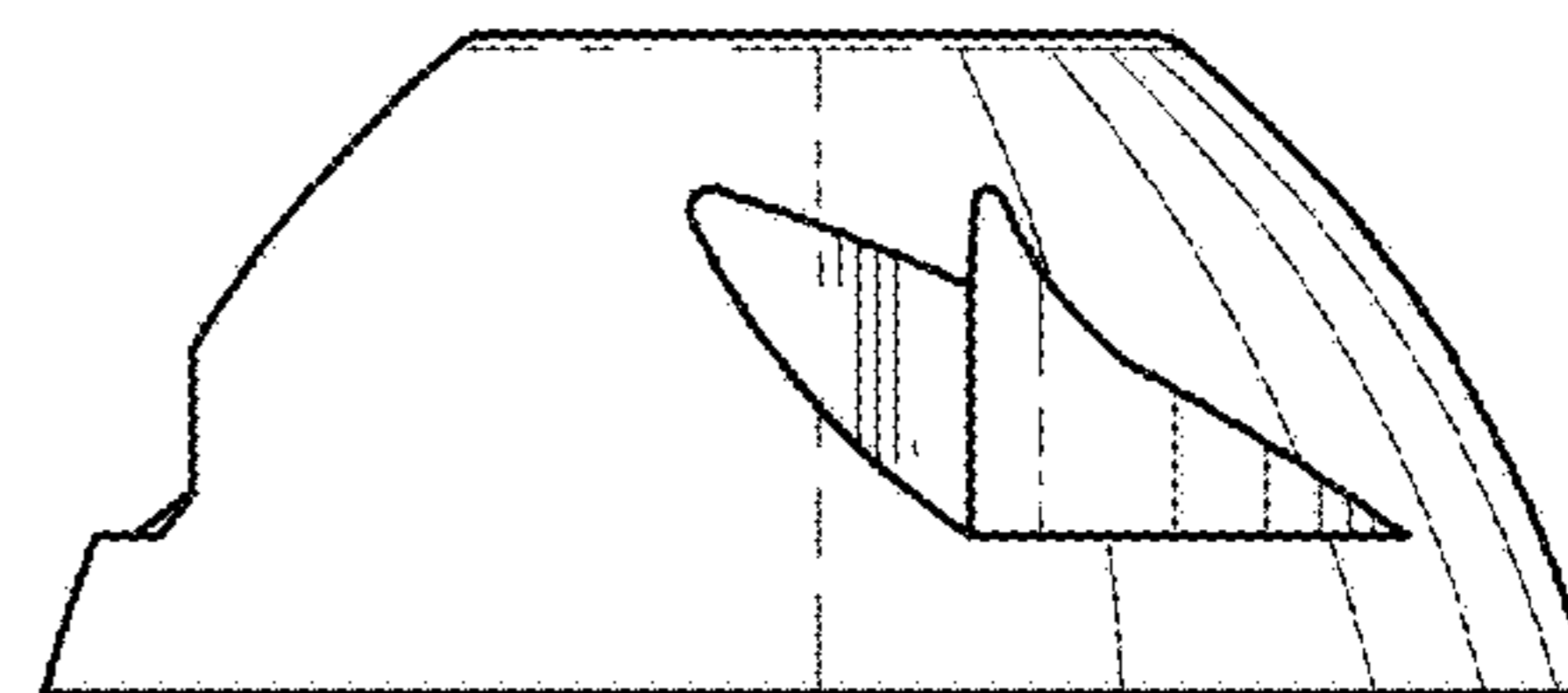


FIG. 5

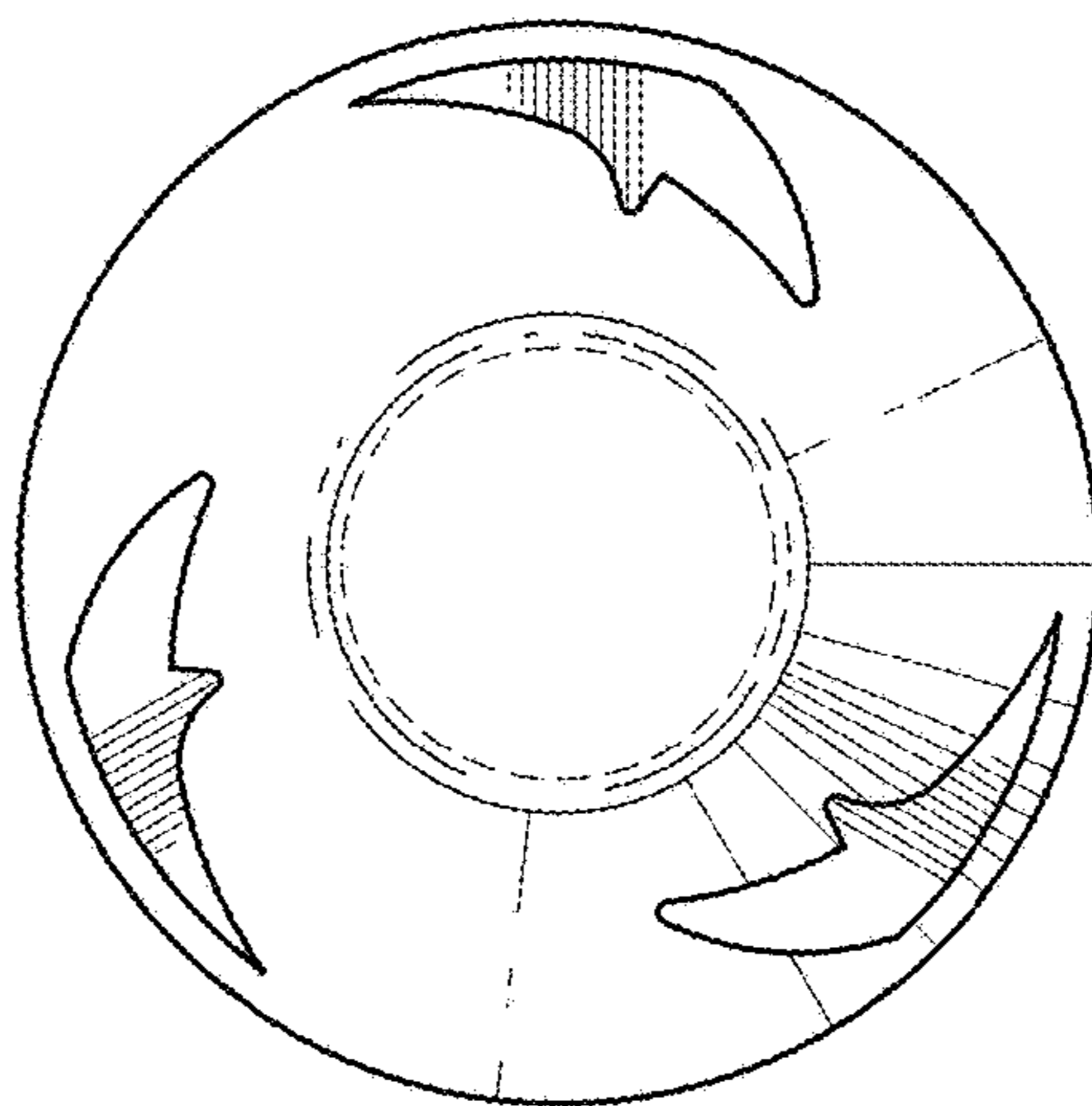


FIG. 6

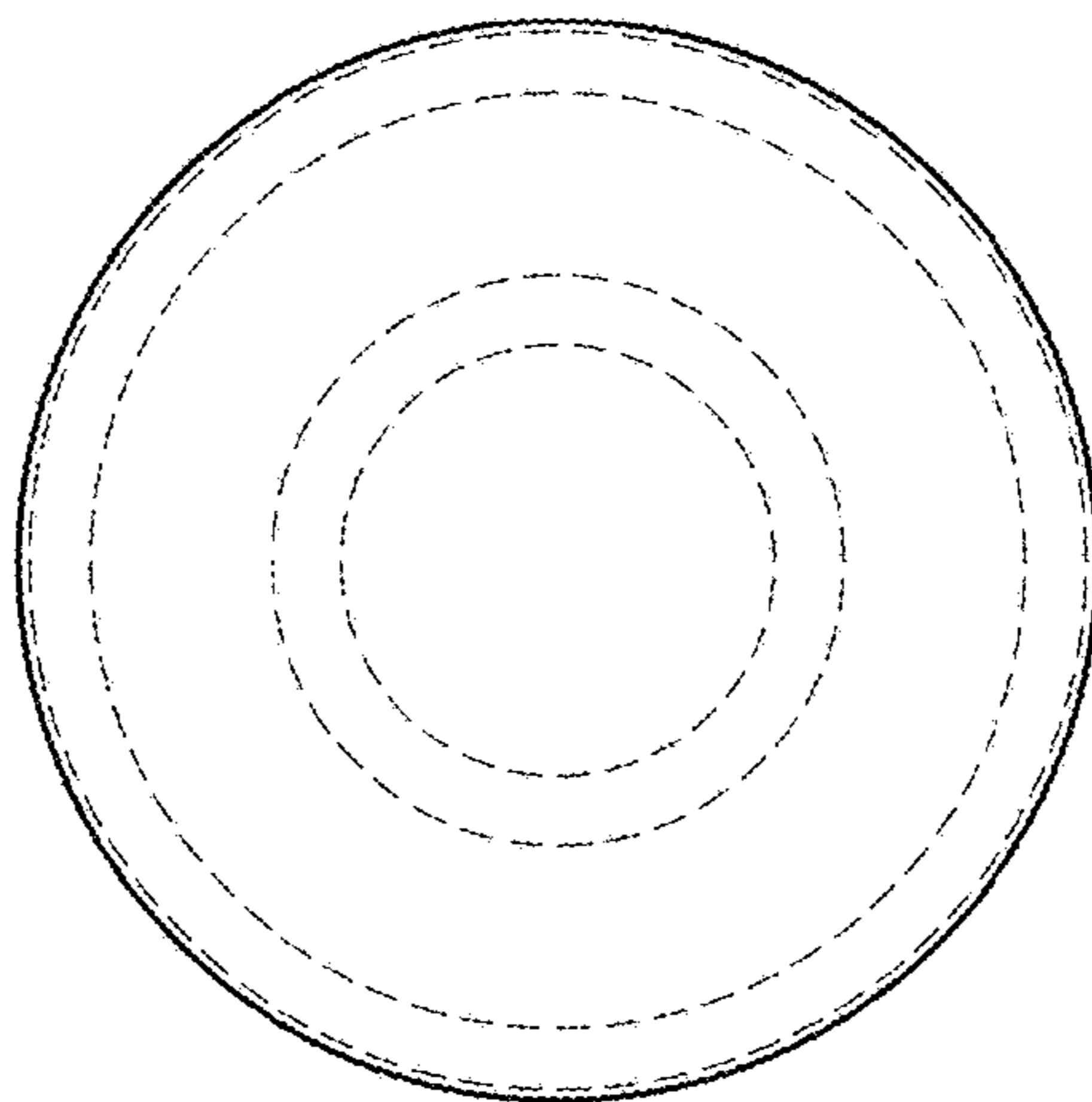


FIG. 7