



US00D786135S

(12) **United States Design Patent** (10) **Patent No.:** **US D786,135 S**
Burki et al. (45) **Date of Patent:** **** May 9, 2017**

(54) **MOTOR VEHICLE, TOY AND/OR REPLICA**

(71) Applicant: **Dr. Ing. h.c.F. Porsche Aktiengesellschaft, Stuttgart (DE)**

(72) Inventors: **Emiel Burki, Stuttgart (DE); Fabian Schmoelz, Pforzheim (DE)**

(73) Assignee: **Dr. Ing. h.c.F. Porsche Aktiengesellschaft (DE)**

(**) Term: **15 Years**

(21) Appl. No.: **29/545,850**

(22) Filed: **Nov. 17, 2015**

(30) **Foreign Application Priority Data**

Jun. 29, 2015 (DE) 40 2015 100 592

(51) **LOC (10) Cl.** **12-08**

(52) **U.S. Cl.**
USPC **D12/92**

(58) **Field of Classification Search**
USPC D12/86, 90-92; D21/421, 433, 434;
296/181.1, 181.5
CPC B62D 35/00; B62D 25/00; B62D 25/06;
B62D 33/00
See application file for complete search history.

(56) **References Cited**

U.S. PATENT DOCUMENTS

D719,066 S * 12/2014 Schramm D12/92
D751,465 S * 3/2016 Stopka D12/92

D754,565 S * 4/2016 Varga D12/92
D754,566 S * 4/2016 Varga D12/92
D755,677 S * 5/2016 Stopka D12/92
D757,609 S * 5/2016 Stopka D12/92
D757,610 S * 5/2016 Stopka D12/92
D762,525 S * 8/2016 Stopka D12/92
D769,154 S * 10/2016 Varga D12/92

* cited by examiner

Primary Examiner — Melody N Brown

(74) *Attorney, Agent, or Firm* — Gerald E. Hespos;
Michael J. Porco; Matthew T. Hespos

(57) **CLAIM**

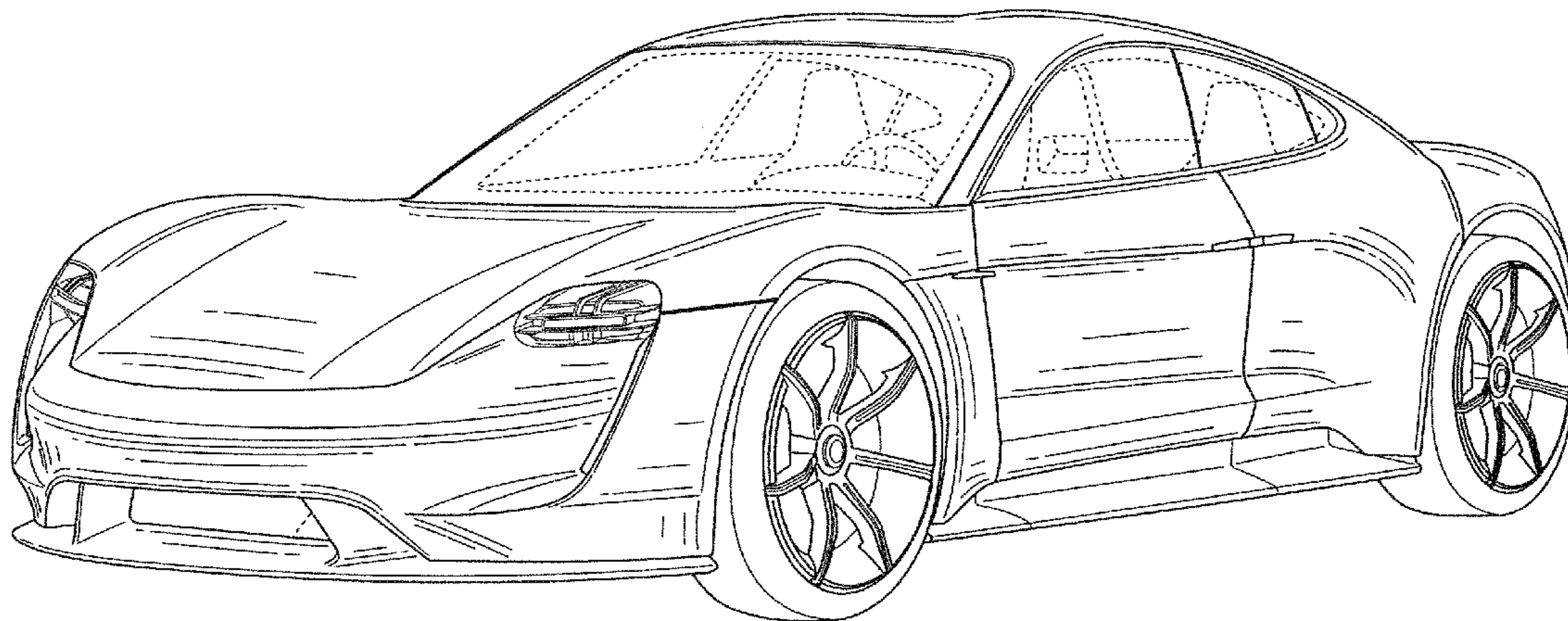
The ornamental design of a motor vehicle, toy and/or replica, as shown and described.

DESCRIPTION

FIG. 1 is a front and side perspective of a motor vehicle, toy and/or replica in accordance with my design;
FIG. 2 is a rear and side perspective view thereof;
FIG. 3 is a front elevational view thereof;
FIG. 4 is a rear elevational view thereof;
FIG. 5 is a top plan view thereof;
FIG. 6 is a bottom plan view thereof;
FIG. 7 is a side elevational view taken from the right side in FIG. 1; and,
FIG. 8 is a side elevational view taken from the left side in FIG. 1.

The broken lines showing interior elements and the undercarriage of the motor vehicle are included for the purpose of illustrating environment and form no part of the claimed design.

1 Claim, 7 Drawing Sheets



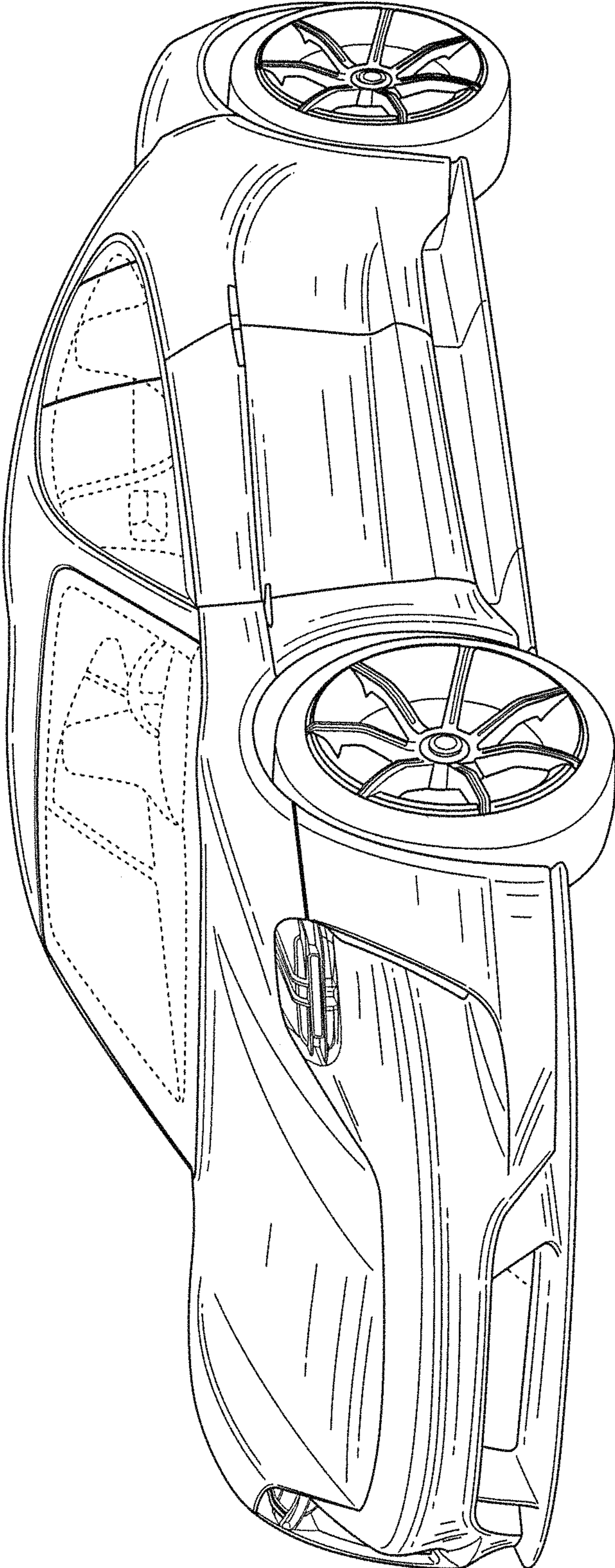


FIG. 1

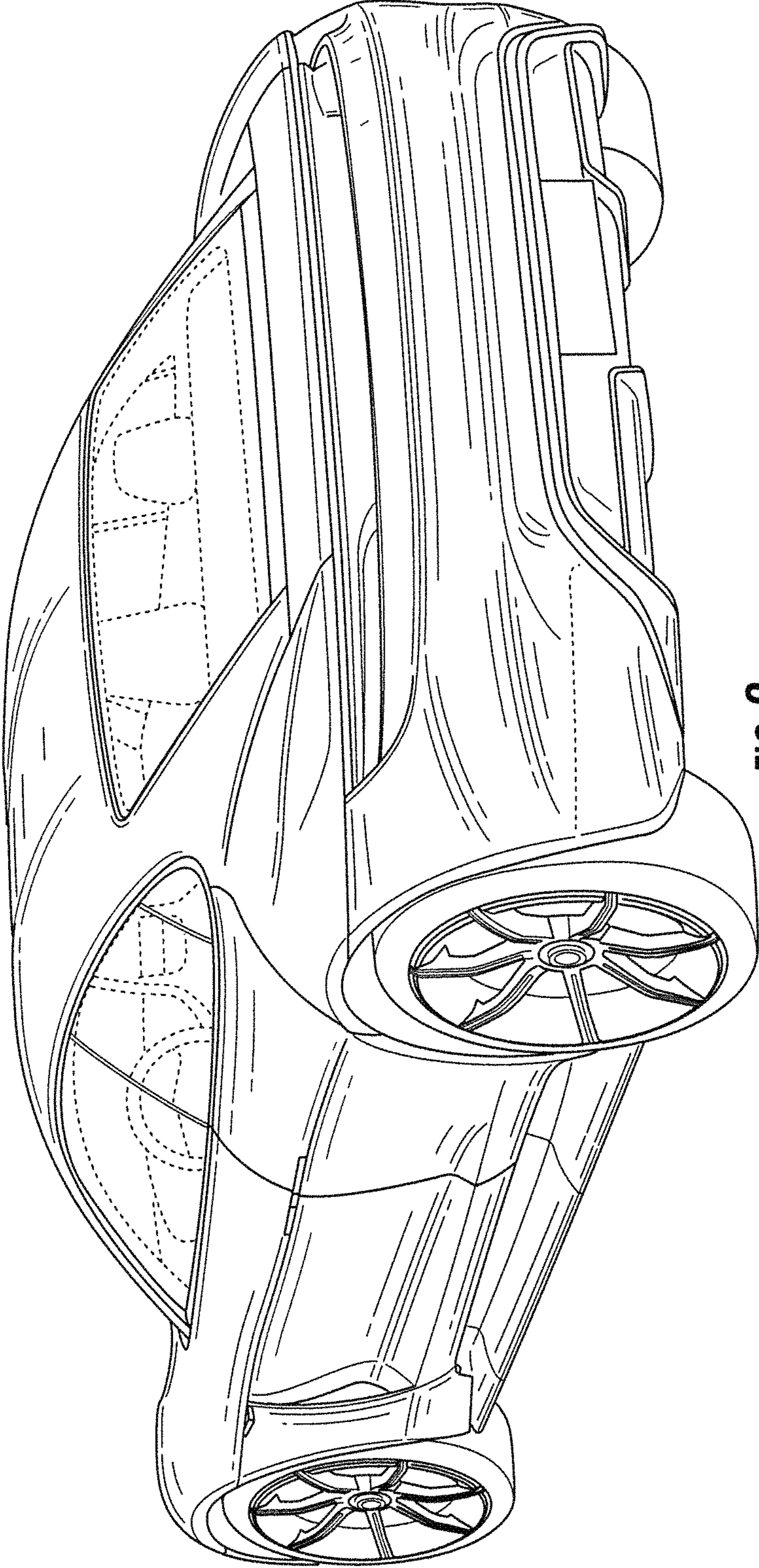


FIG. 2

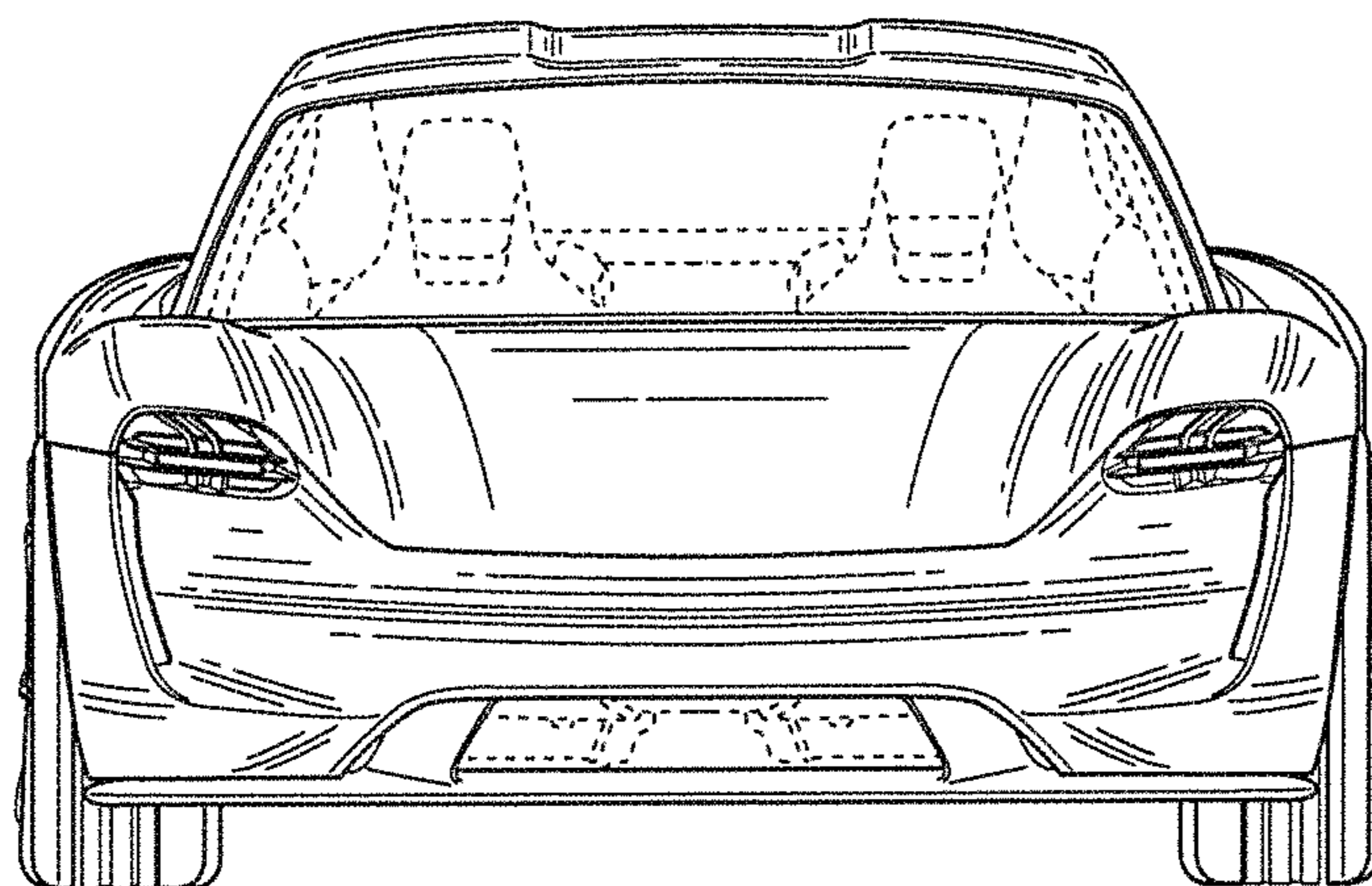


FIG. 3

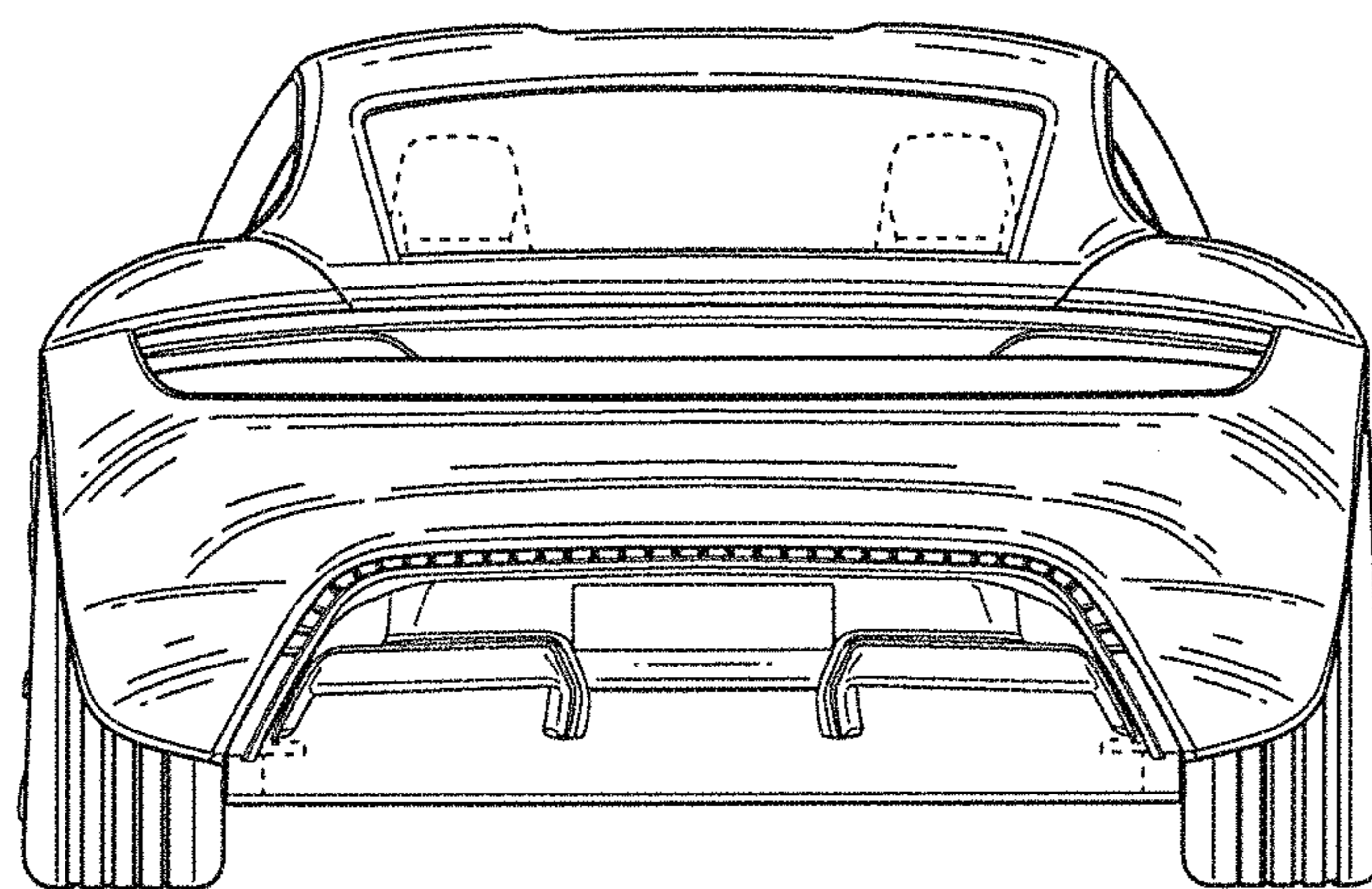


FIG. 4

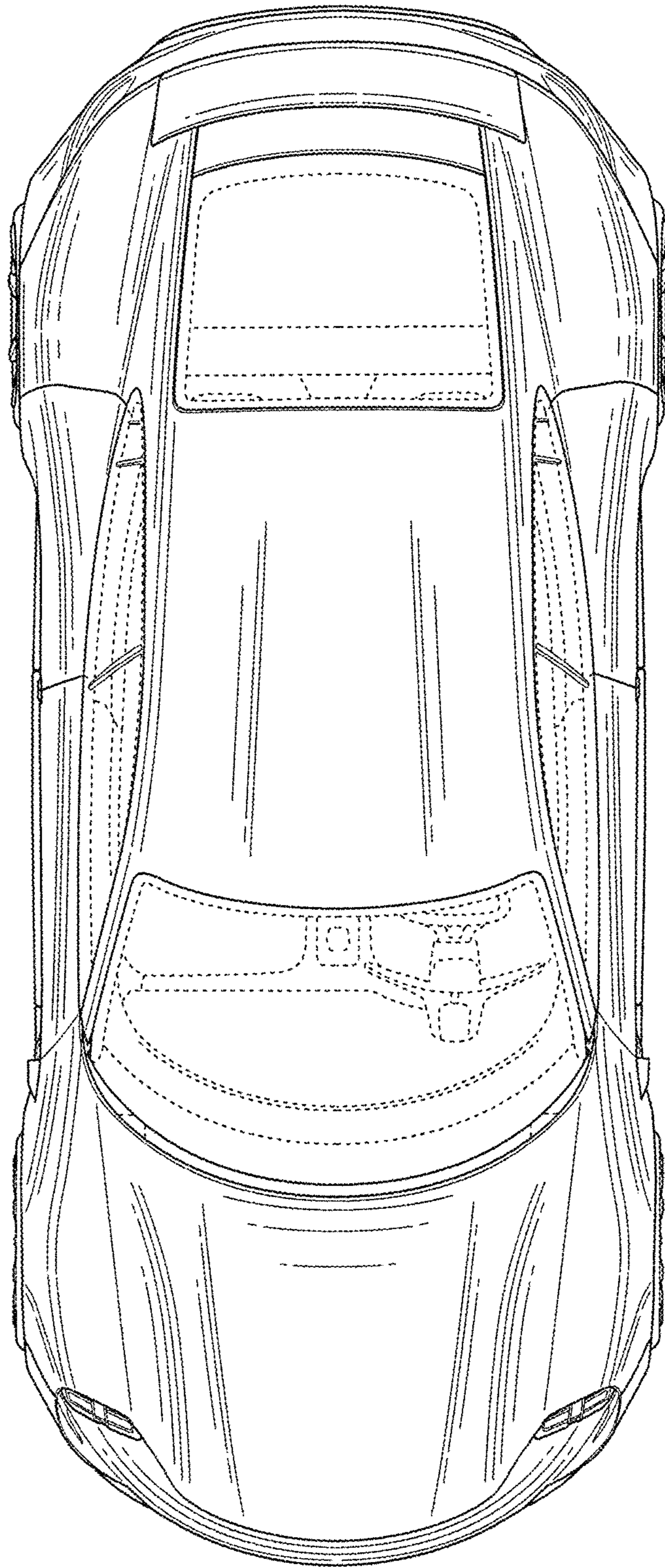


FIG. 5

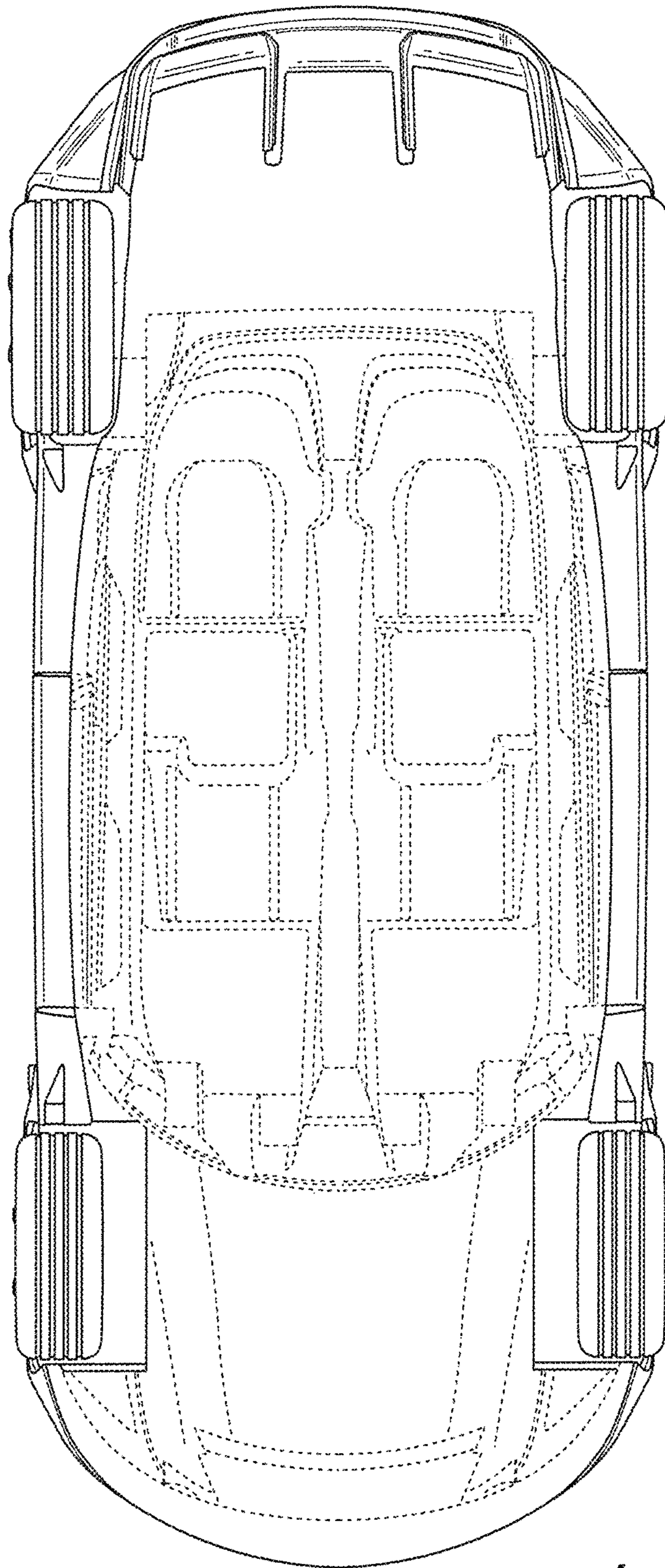


FIG. 6

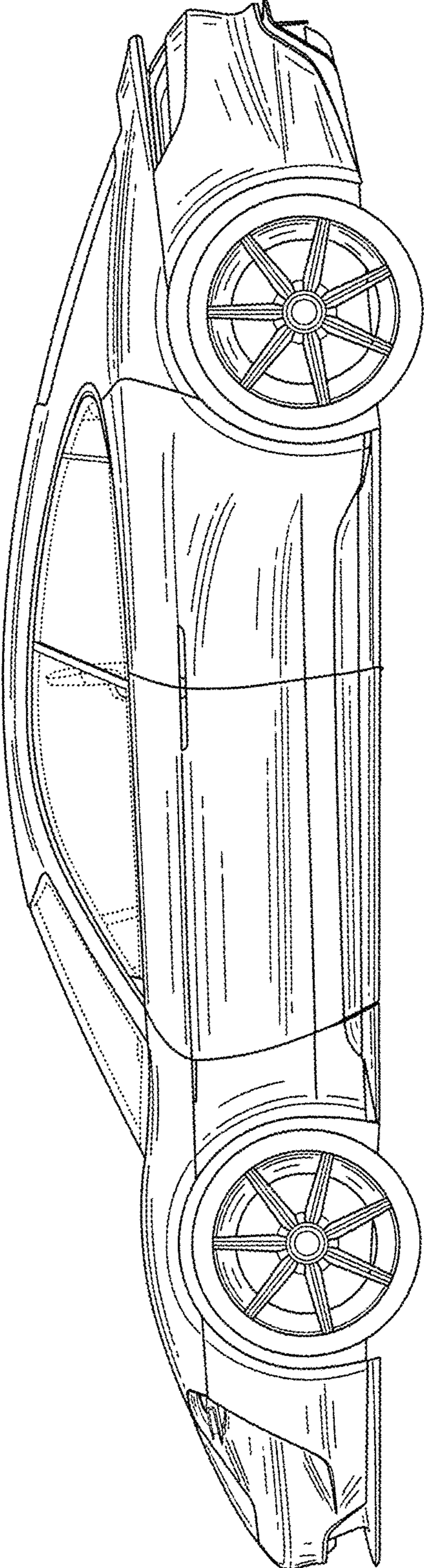


FIG. 7

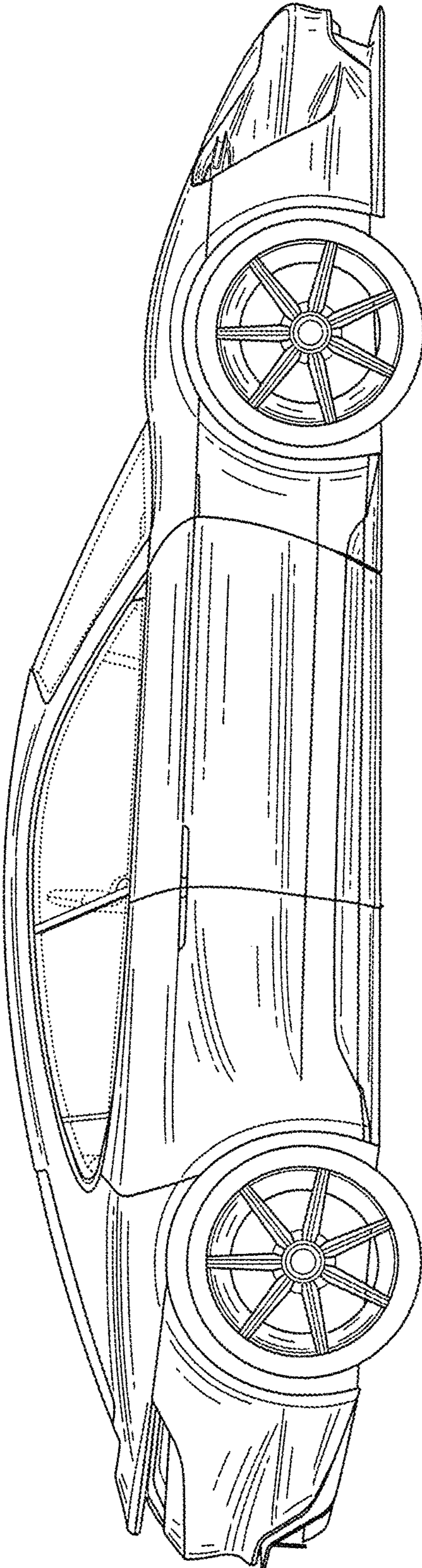


FIG. 8