



US00D786133S

(12) **United States Design Patent** (10) **Patent No.:** **US D786,133 S**
Song et al. (45) **Date of Patent:** **** May 9, 2017**

(54) **VEHICLE**

(71) Applicant: **Polaris Industries Inc.**, Medina, MN (US)

(72) Inventors: **Michael M. Song**, Maple Grove, MN (US); **Kenneth G. Grant**, Plymouth, MN (US); **Gregory C. Brew**, Minnetonka, MN (US)

(73) Assignee: **Polaris Industries Inc.**, Medina, MN (US)

(**) Term: **15 Years**

(21) Appl. No.: **29/534,762**

(22) Filed: **Jul. 31, 2015**

(51) **LOC (10) Cl.** **12-08**

(52) **U.S. Cl.**
USPC **D12/86**

(58) **Field of Classification Search**
USPC D12/86, 90-92, 88; D21/421, 433, 434;
296/181.1, 181.5

CPC B62D 35/00; B62D 25/00; B62D 25/06;
B62D 33/00

See application file for complete search history.

(56) **References Cited**

U.S. PATENT DOCUMENTS

D552,509 S *	10/2007	Walkup	D12/86
D615,905 S *	5/2010	Arnell	D12/91
D619,931 S *	7/2010	Arnell	D12/86
D620,393 S *	7/2010	Arnell	D12/86
D621,423 S	8/2010	Nakanishi et al.		
D626,453 S *	11/2010	Arnell	D12/86
D670,198 S	11/2012	Li et al.		
D679,627 S	4/2013	Li et al.		
D689,396 S	9/2013	Wang		
D694,668 S	12/2013	Li et al.		
D713,297 S *	9/2014	Bose	D12/91
D716,186 S *	10/2014	Tada	D12/86

D724,997 S	3/2015	Brew et al.
2002/0162224 A1	11/2002	Gabbianelli et al.
2003/0040827 A1	2/2003	Chernoff

FOREIGN PATENT DOCUMENTS

EP	1318064	6/2003
WO	WO 03/070543	8/2003
WO	WO 2009/017533	2/2009

OTHER PUBLICATIONS

International Search Report and Written Opinion issued by the European Patent Office, dated Sep. 21, 2016, for related International Patent Application No. PCT/US2016/014062; 17 pages.

* cited by examiner

Primary Examiner — Melody N Brown

(74) *Attorney, Agent, or Firm* — Faegre Baker Daniels LLP

(57) **CLAIM**

The ornamental design for a vehicle, shown and described.

DESCRIPTION

FIG. 1 is a left, front perspective of a vehicle showing our new design;

FIG. 2 is a right, rear perspective view thereof;

FIG. 3 is a left side elevational view thereof;

FIG. 4 is a right side elevational view thereof;

FIG. 5 is a top plan view thereof;

FIG. 6 is a front elevational view thereof;

FIG. 7 is a rear elevational view thereof;

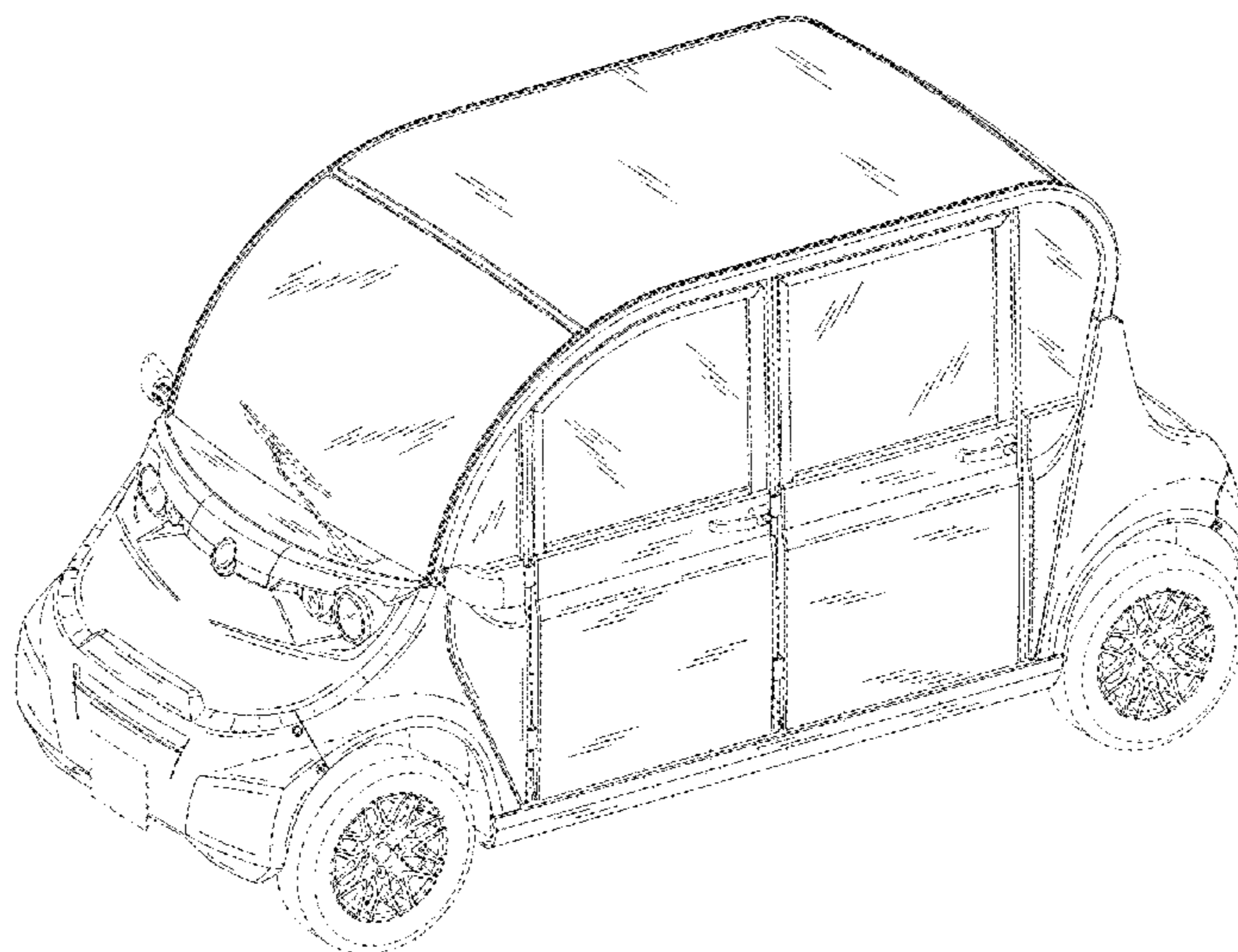
FIG. 8 is a left, front perspective view of a second embodiment of a vehicle showing our new design;

FIG. 9 is a left side elevational view of FIG. 8; and,

FIG. 10 is a right side elevational view of FIG. 8.

The broken lines portions of the vehicle shown throughout the drawing views are for illustrative purposes only and form no part of the claimed design.

1 Claim, 9 Drawing Sheets



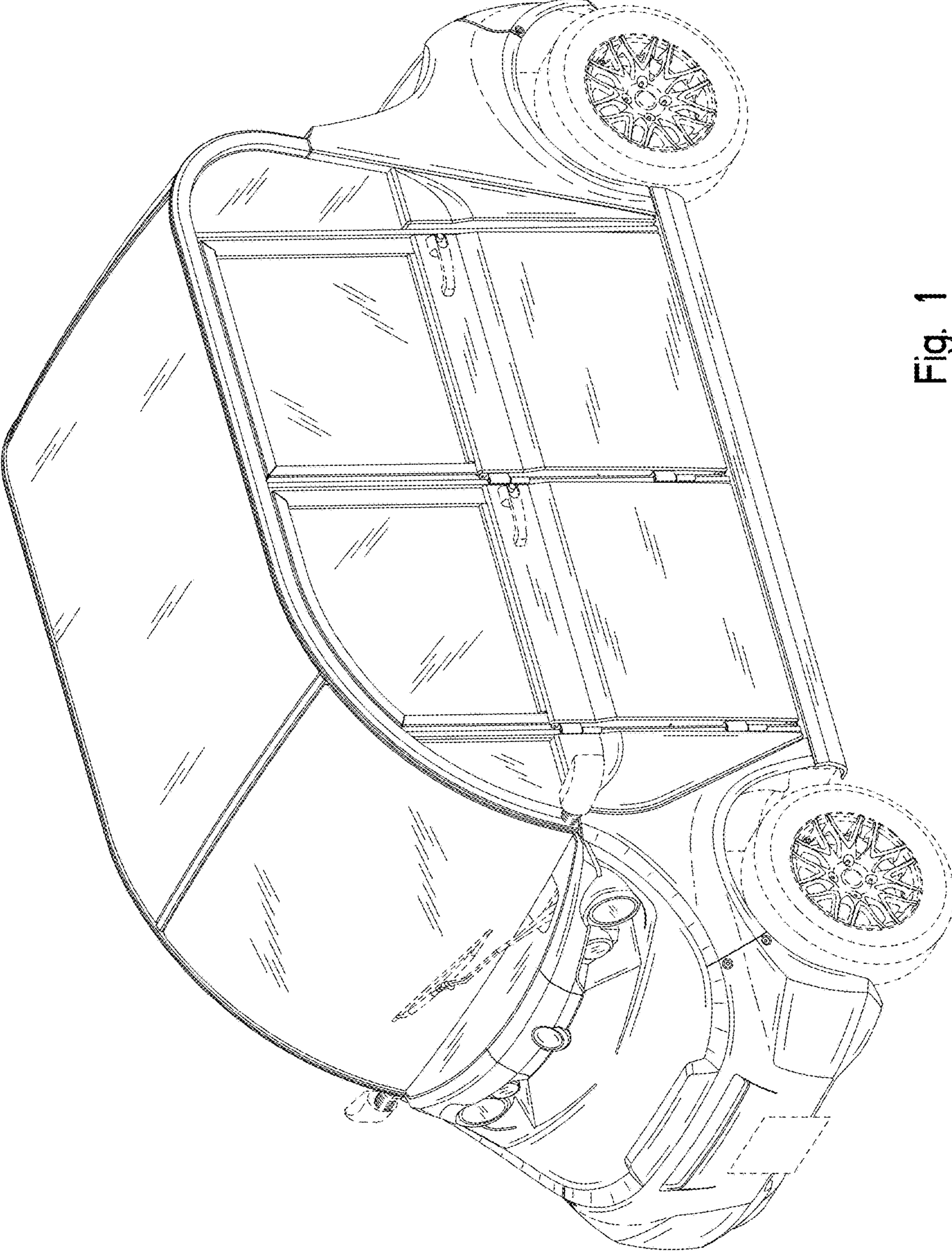


Fig. 1

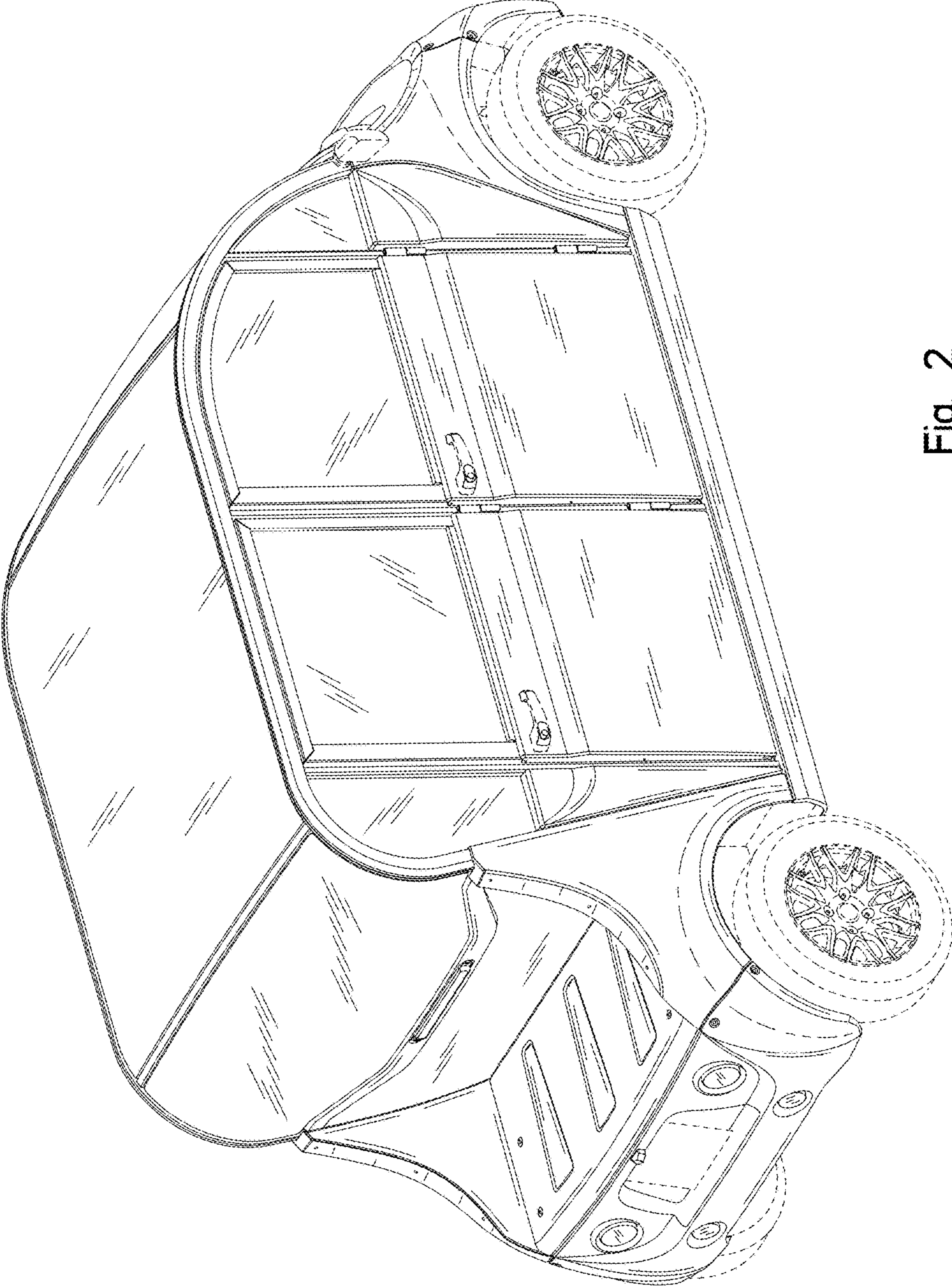


Fig. 2

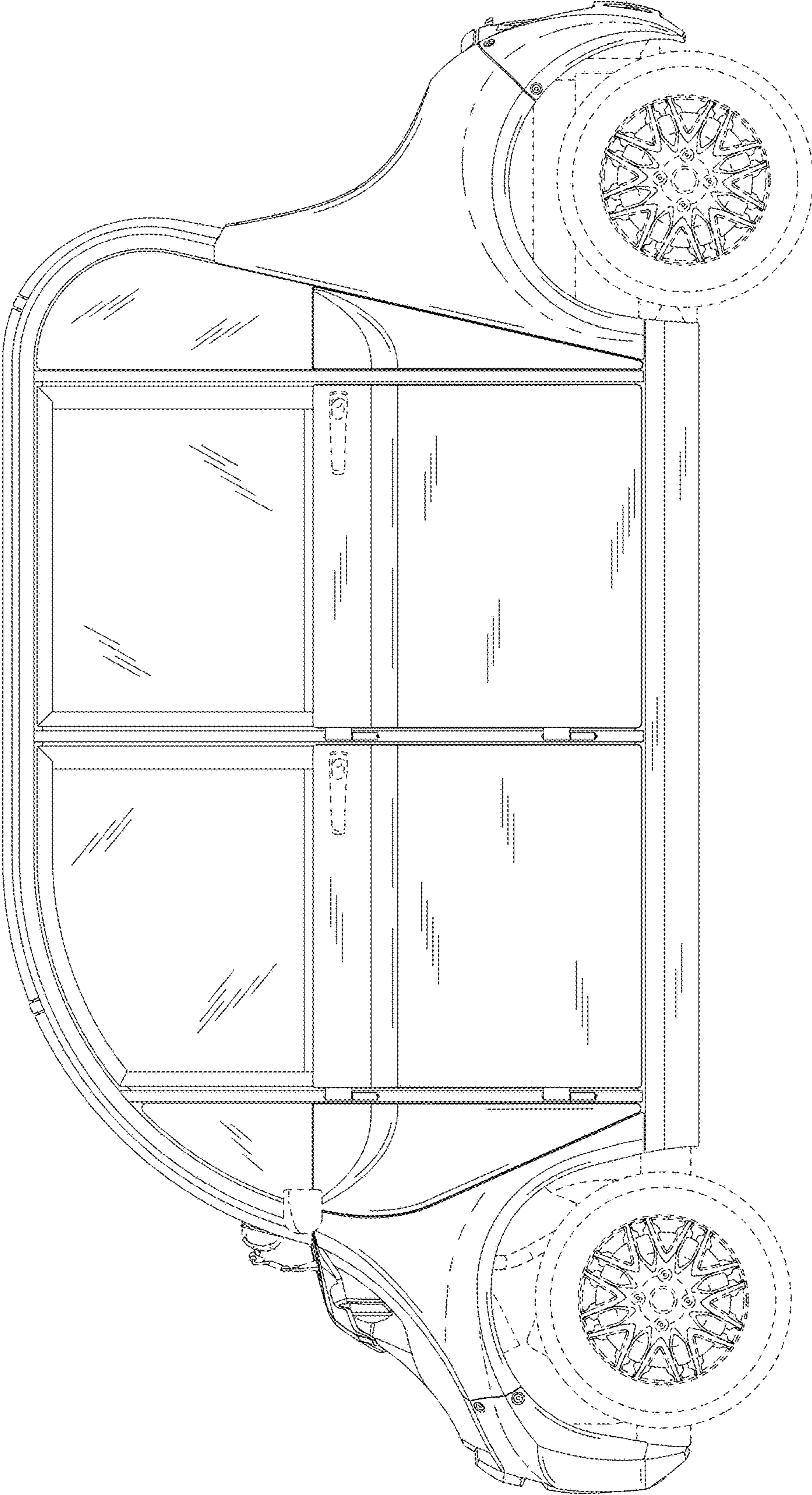


Fig. 3

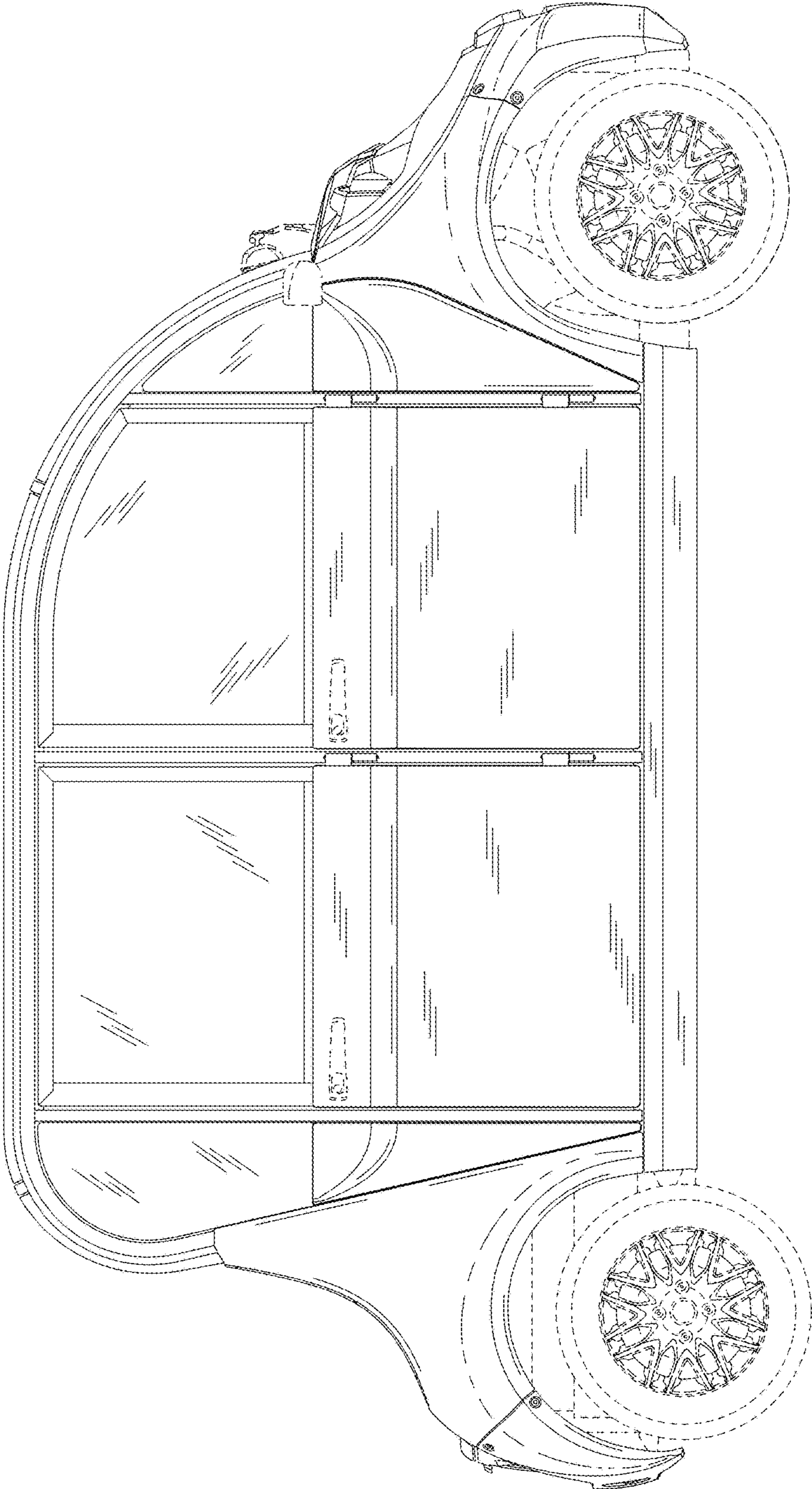


Fig. 4

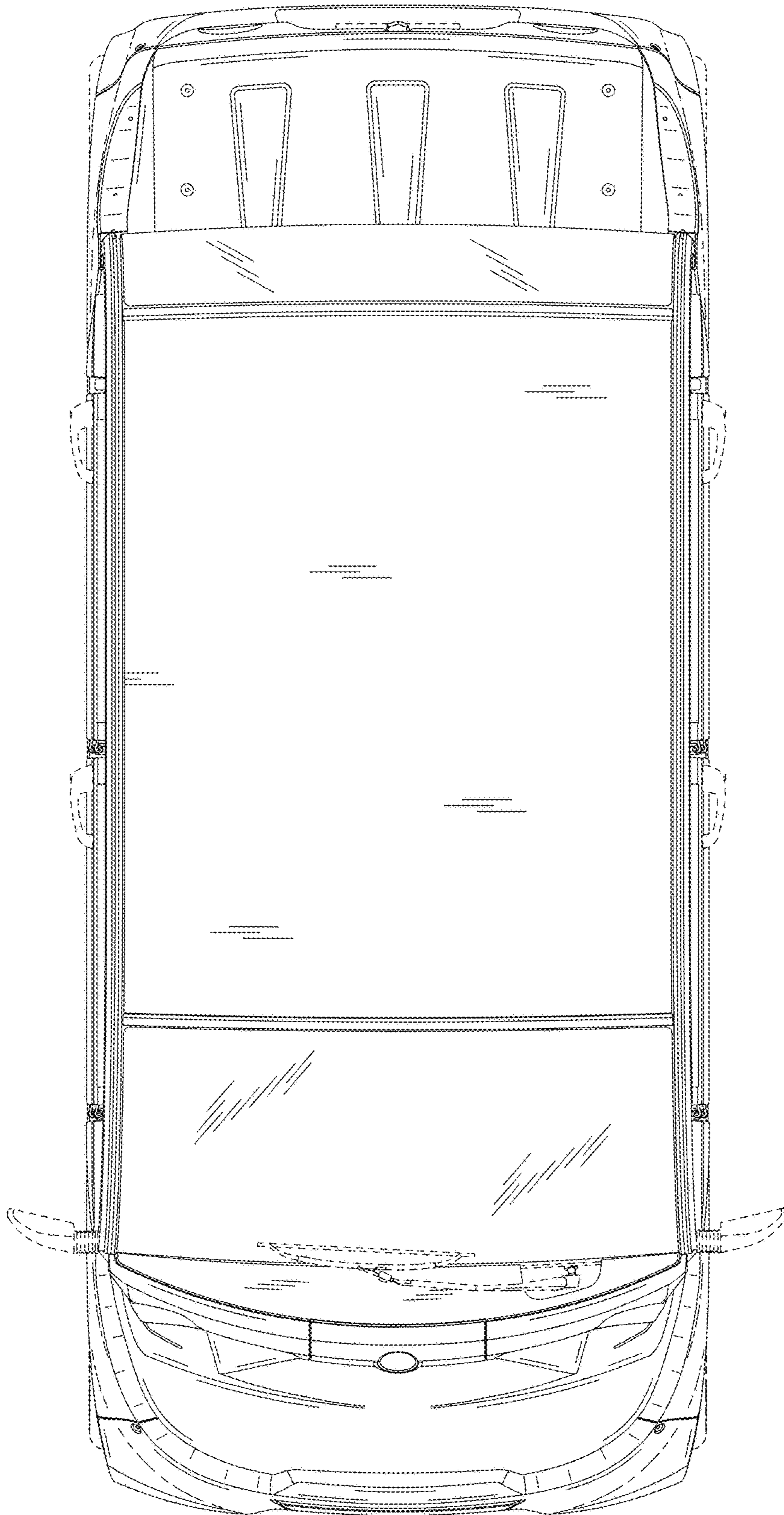


Fig. 5

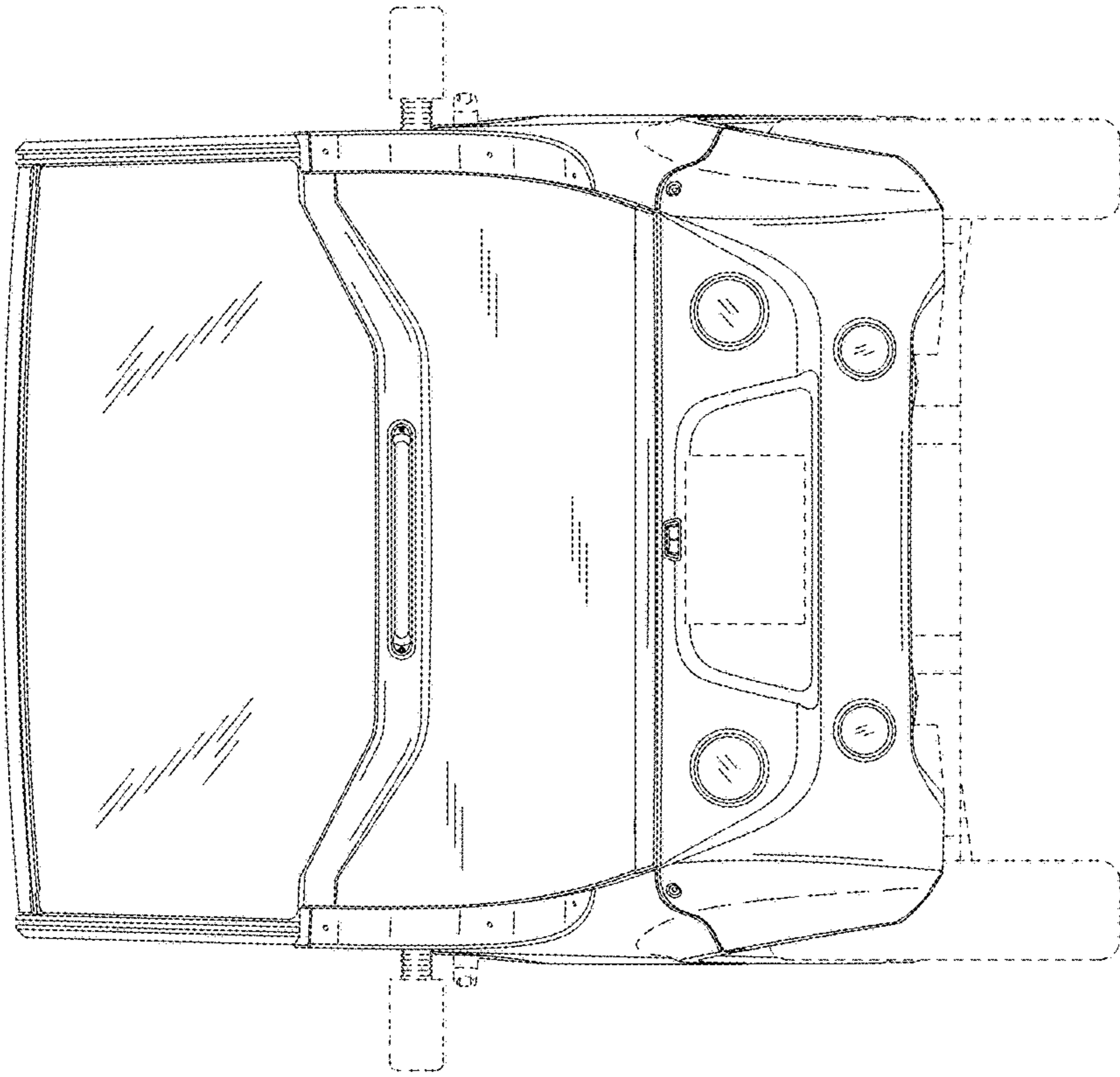


Fig. 7

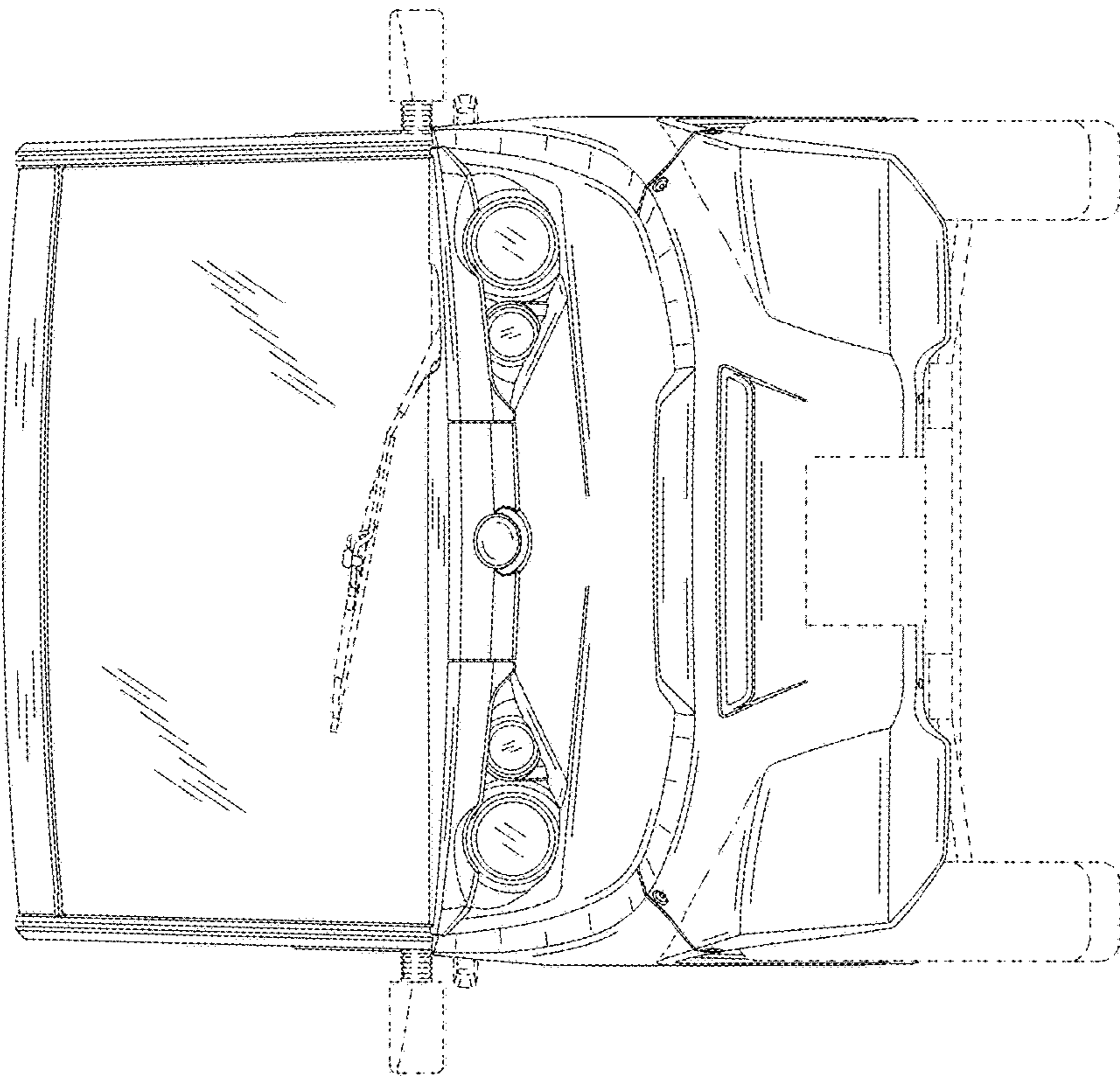


Fig. 6

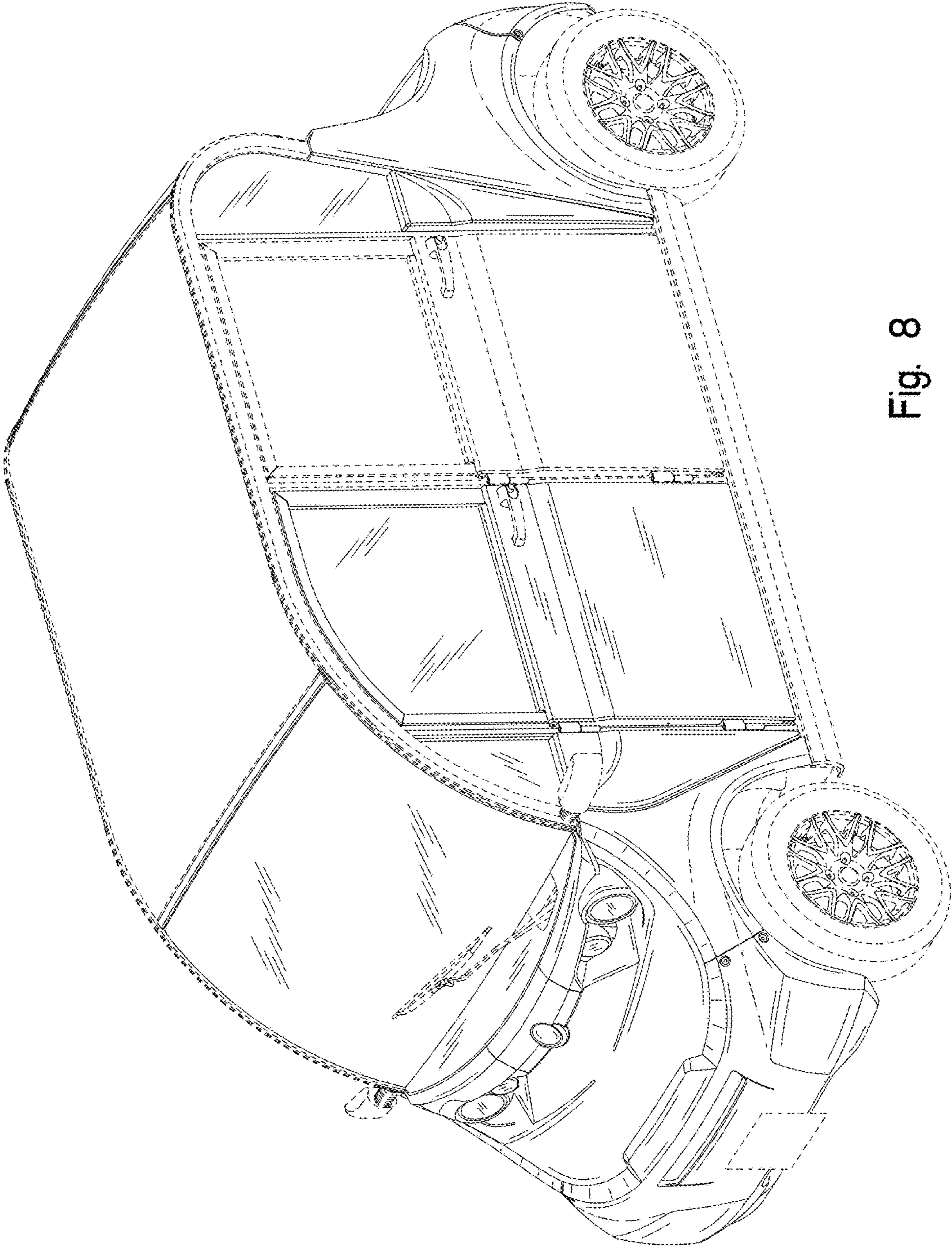


Fig. 8

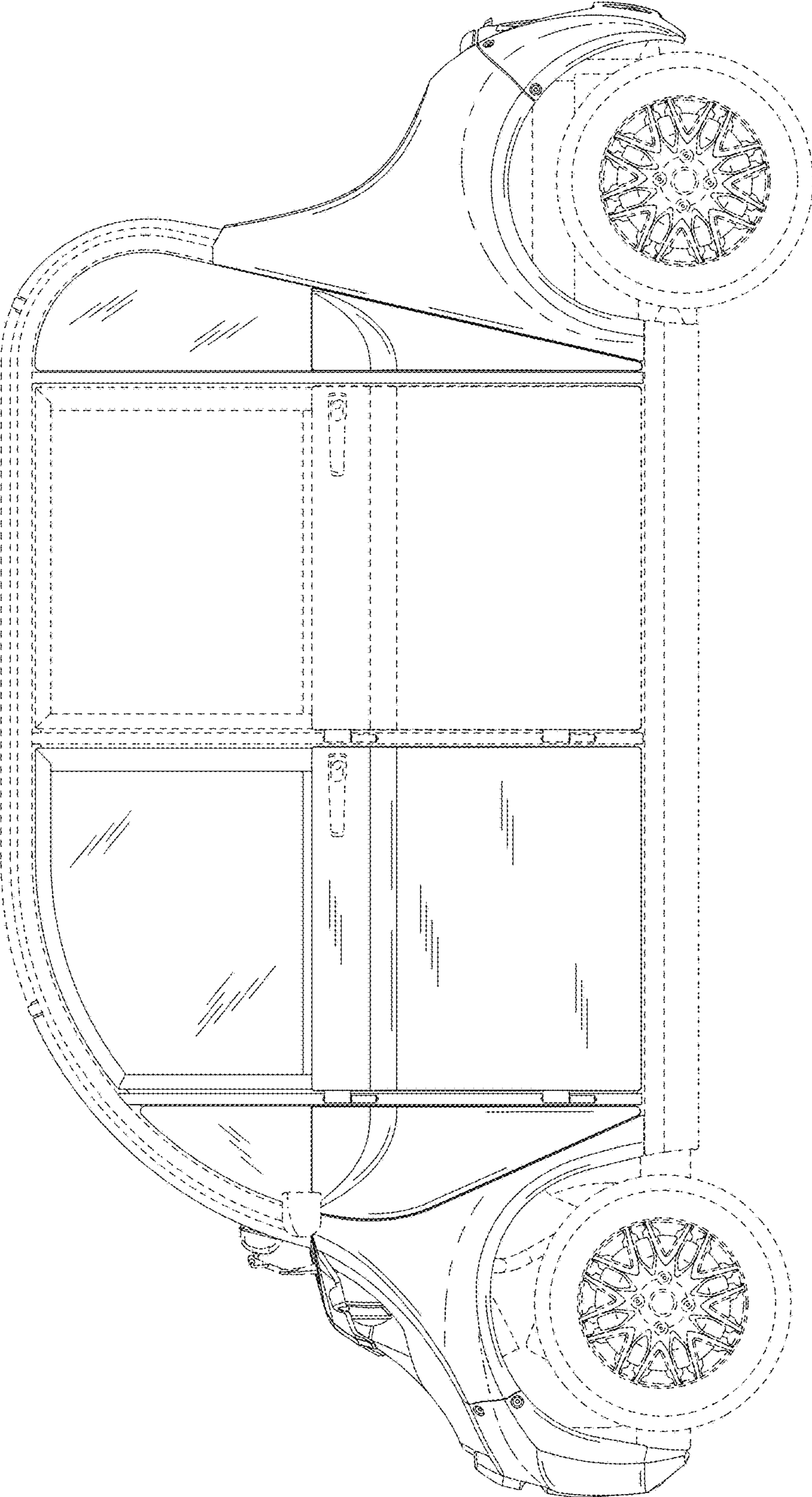


Fig. 9

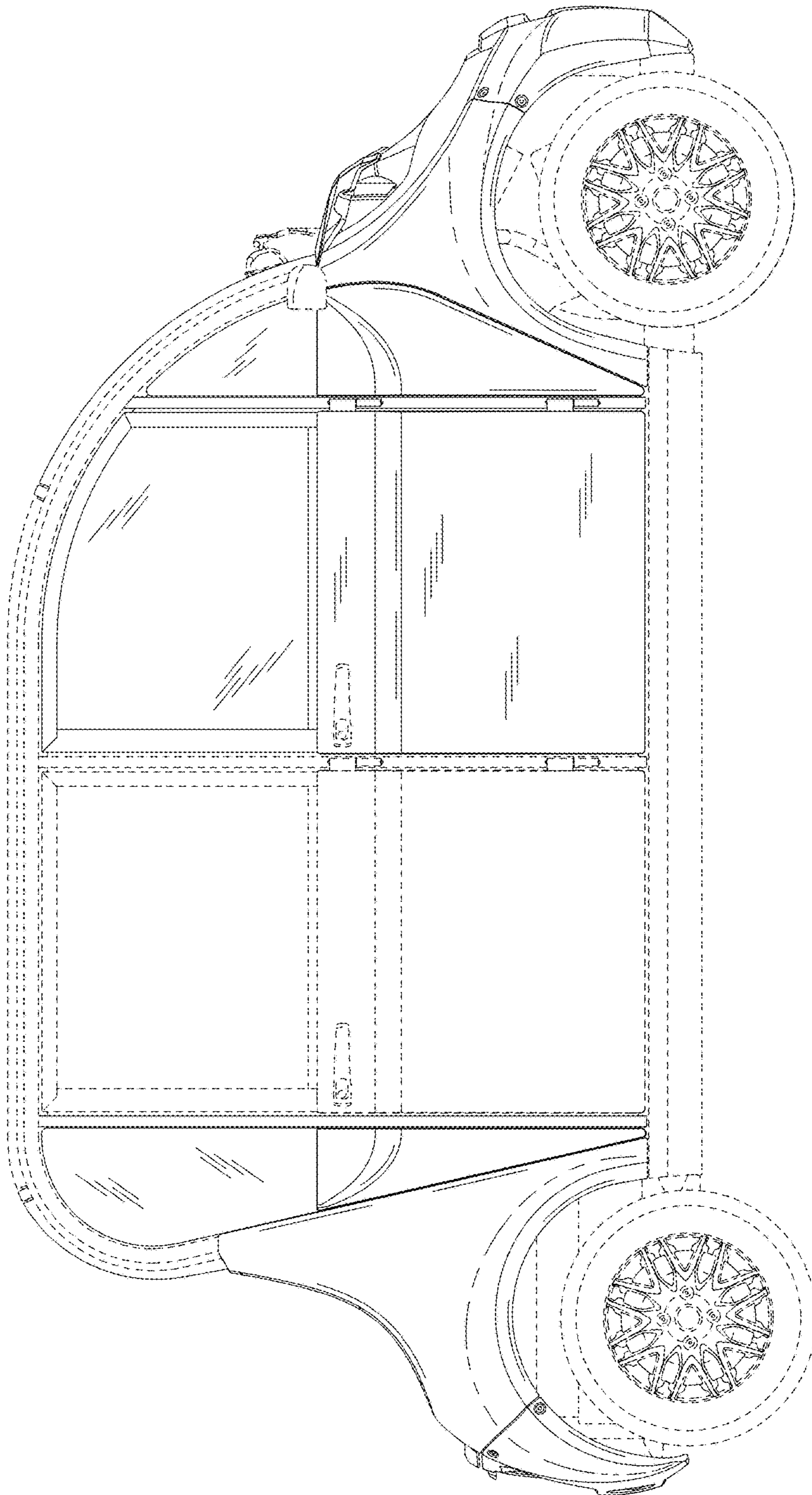


Fig. 10