



US00D786132S

(12) **United States Design Patent** (10) **Patent No.:** **US D786,132 S**
Joren et al. (45) **Date of Patent:** **** May 9, 2017**

(54) **ROLLING STOCK DOORS**
(71) Applicant: **MITSUBISHI HEAVY INDUSTRIES, LTD.**, Tokyo (JP)
(72) Inventors: **Ichiro Joren**, Tokyo (JP); **Masahisa Masukawa**, Tokyo (JP); **Mitsuaki Hoshi**, Tokyo (JP); **Ryuji Karasawa**, Hiroshima (JP)
(73) Assignee: **MITSUBISHI HEAVY INDUSTRIES, LTD.**, Tokyo (JP)
(**) Term: **14 Years**

(21) Appl. No.: **29/519,263**
(22) Filed: **Mar. 3, 2015**
(30) **Foreign Application Priority Data**

Sep. 4, 2014 (JP) 2014-019510
(51) **LOC (10) Cl.** **12-03**
(52) **U.S. Cl.**
USPC **D12/42**
(58) **Field of Classification Search**
USPC D12/36-52, 84; 105/343, 330
CPC B61D 19/00; B61D 19/005; B61D 19/007;
B61D 17/08
See application file for complete search history.

(56) **References Cited**
U.S. PATENT DOCUMENTS
D215,503 S * 10/1969 Bradley D12/37
D219,246 S * 11/1970 Adams et al. D12/37
3,774,542 A * 11/1973 Walsh B61B 3/02
104/123
3,782,034 A * 1/1974 Lynn E05F 15/649
105/341
D230,640 S * 3/1974 Albach et al. D12/40
D234,418 S * 3/1975 Forsey, Jr. et al. D12/40

4,313,383 A * 2/1982 Parazader E01D 19/125
104/118
4,970,967 A * 11/1990 Burg E01B 25/28
104/130.05
D317,886 S * 7/1991 Stannard D12/40
D331,033 S * 11/1992 Renfrew D12/40
6,598,539 B2 * 7/2003 Oakley B61D 19/02
105/329.1
D479,153 S * 9/2003 Riser D12/37
D499,047 S * 11/2004 Meissner D12/37
D514,982 S * 2/2006 Meissner D12/37
D570,248 S * 6/2008 Herrli D12/52
2008/0276826 A1 * 11/2008 Erhart B61B 12/002
105/149.1
2009/0031743 A1 * 2/2009 Chen B60H 1/3235
62/244

(Continued)

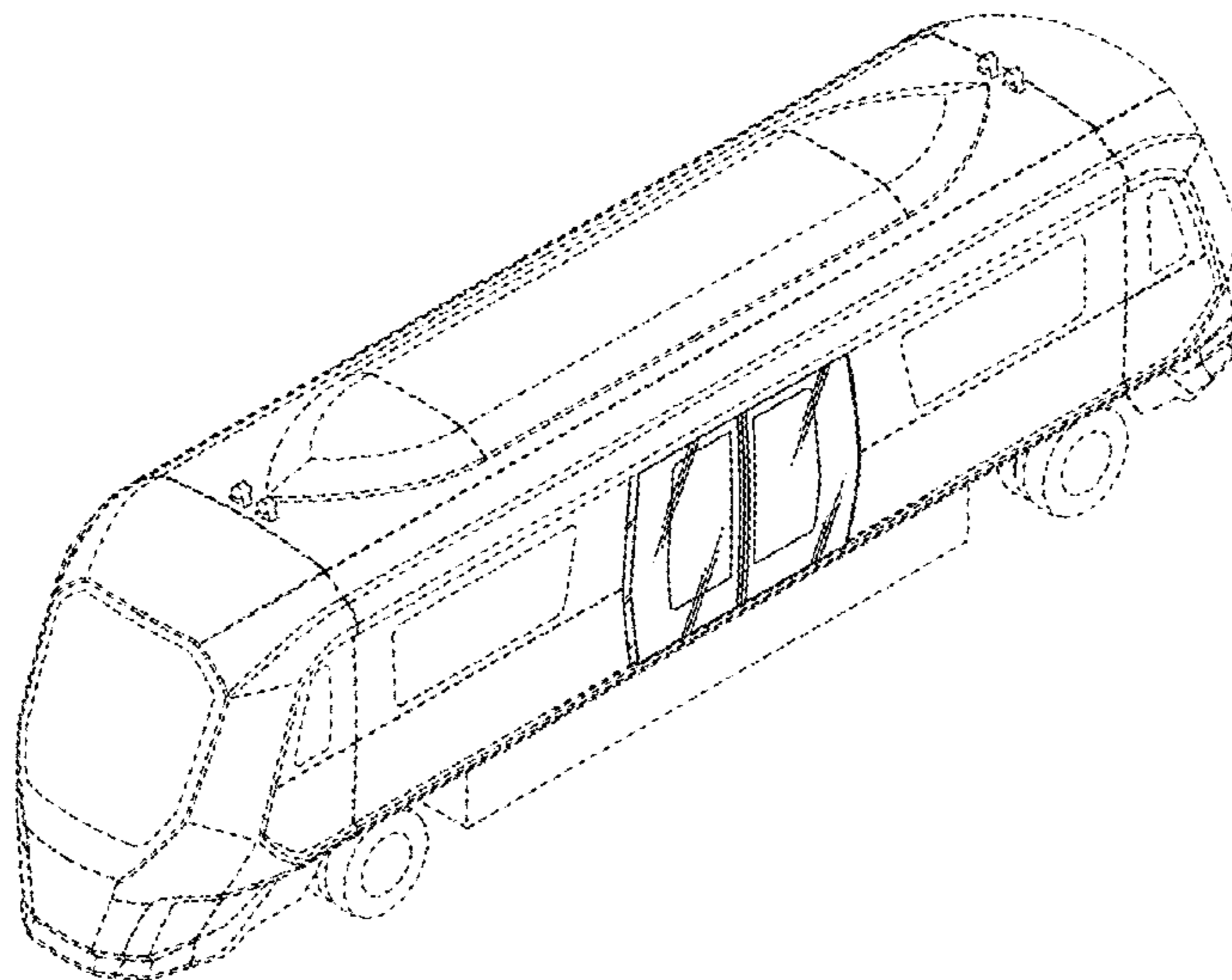
Primary Examiner — T. Chase Nelson
Assistant Examiner — Ania Aman
(74) *Attorney, Agent, or Firm* — Kanesaka Berner and Partners LLP

(57) **CLAIM**
The ornamental design for rolling stock doors, as shown and described.

DESCRIPTION

FIG. 1 is a perspective view of rolling stock doors showing our new design
FIG. 2 is a front elevation view of the rolling stock doors.
FIG. 3 is a rear elevation view of the rolling stock doors.
FIG. 4 is a left side elevation view of the rolling stock doors.
A right side elevation view the rolling stock doors appears identical to the left side elevation view.
FIG. 5 is a top plan view of the rolling stock doors; and,
FIG. 6 is an enlarged front elevation view of the rolling stock doors showing our new design.
The broken lines shown in the drawings illustrate portions of the rolling stock that form no part of claimed design. The bottom view forms no part of the claimed design.

1 Claim, 6 Drawing Sheets



(56)

References Cited

U.S. PATENT DOCUMENTS

2015/0007745 A1* 1/2015 Kawashima B61D 19/00
105/343

* cited by examiner

FIG. 1

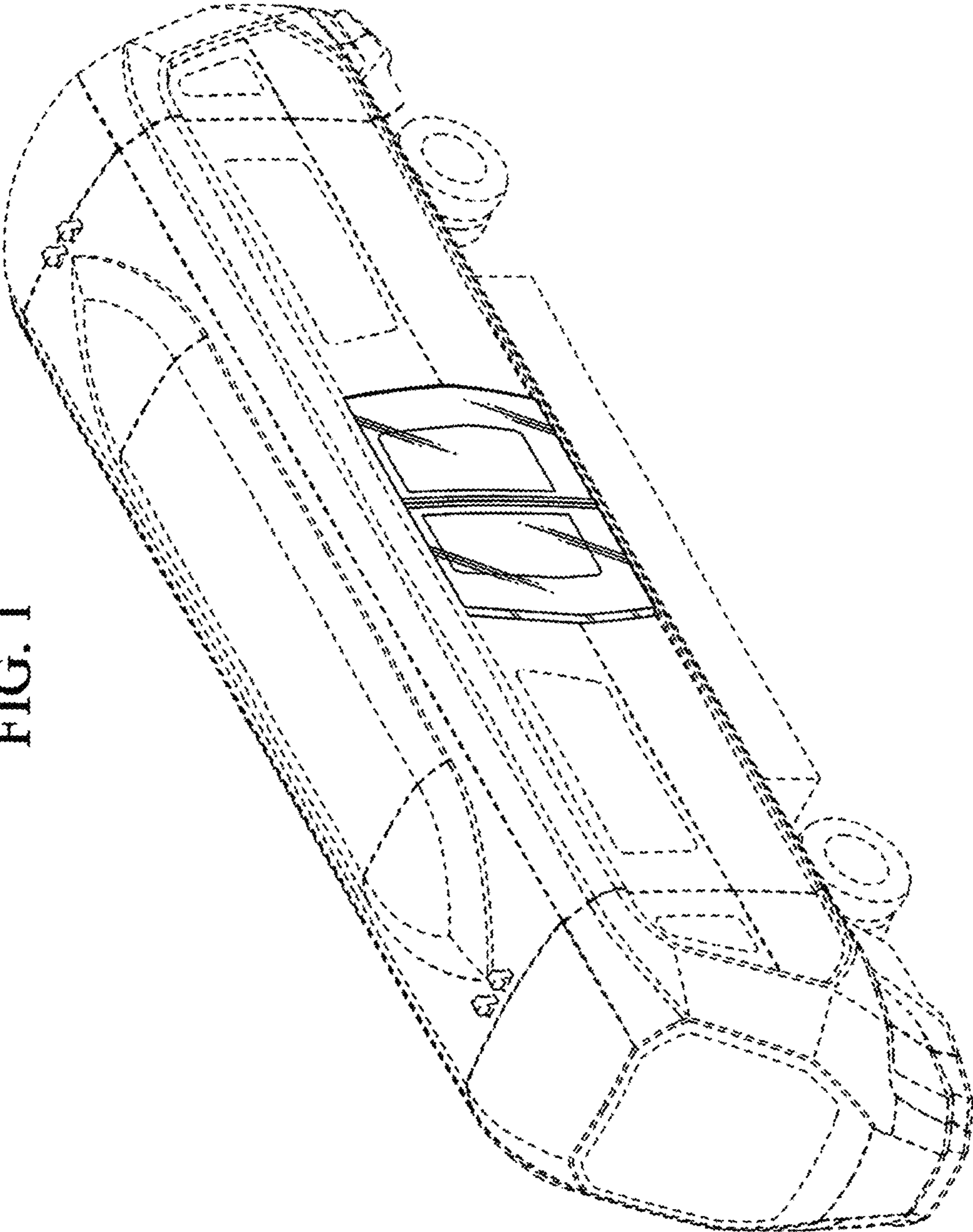


FIG. 2

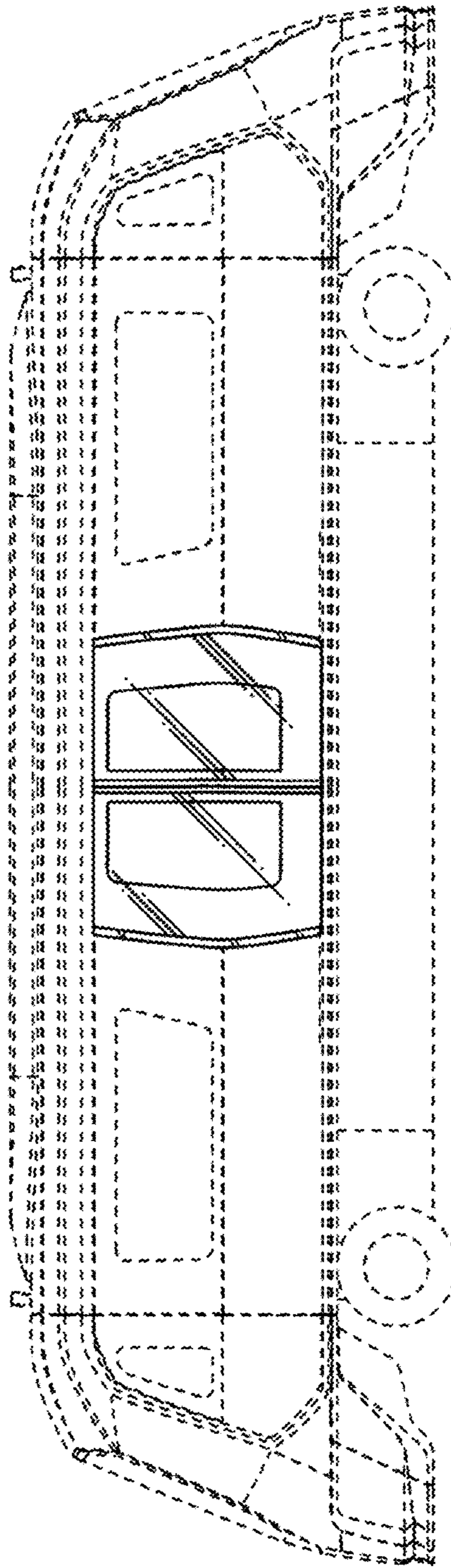


FIG. 3

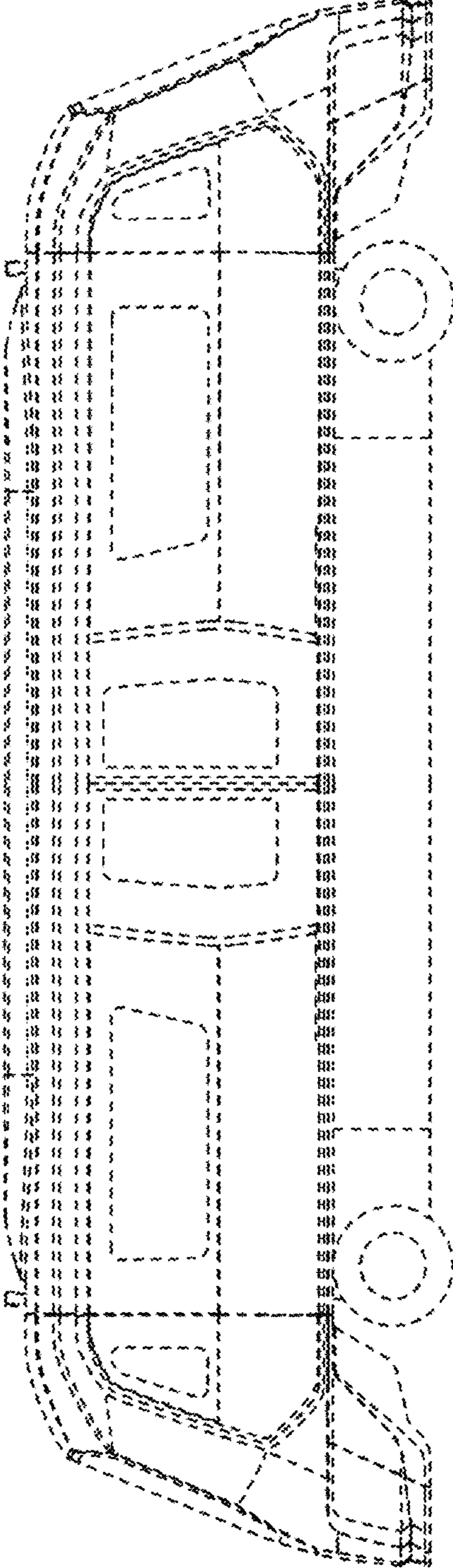


FIG. 4

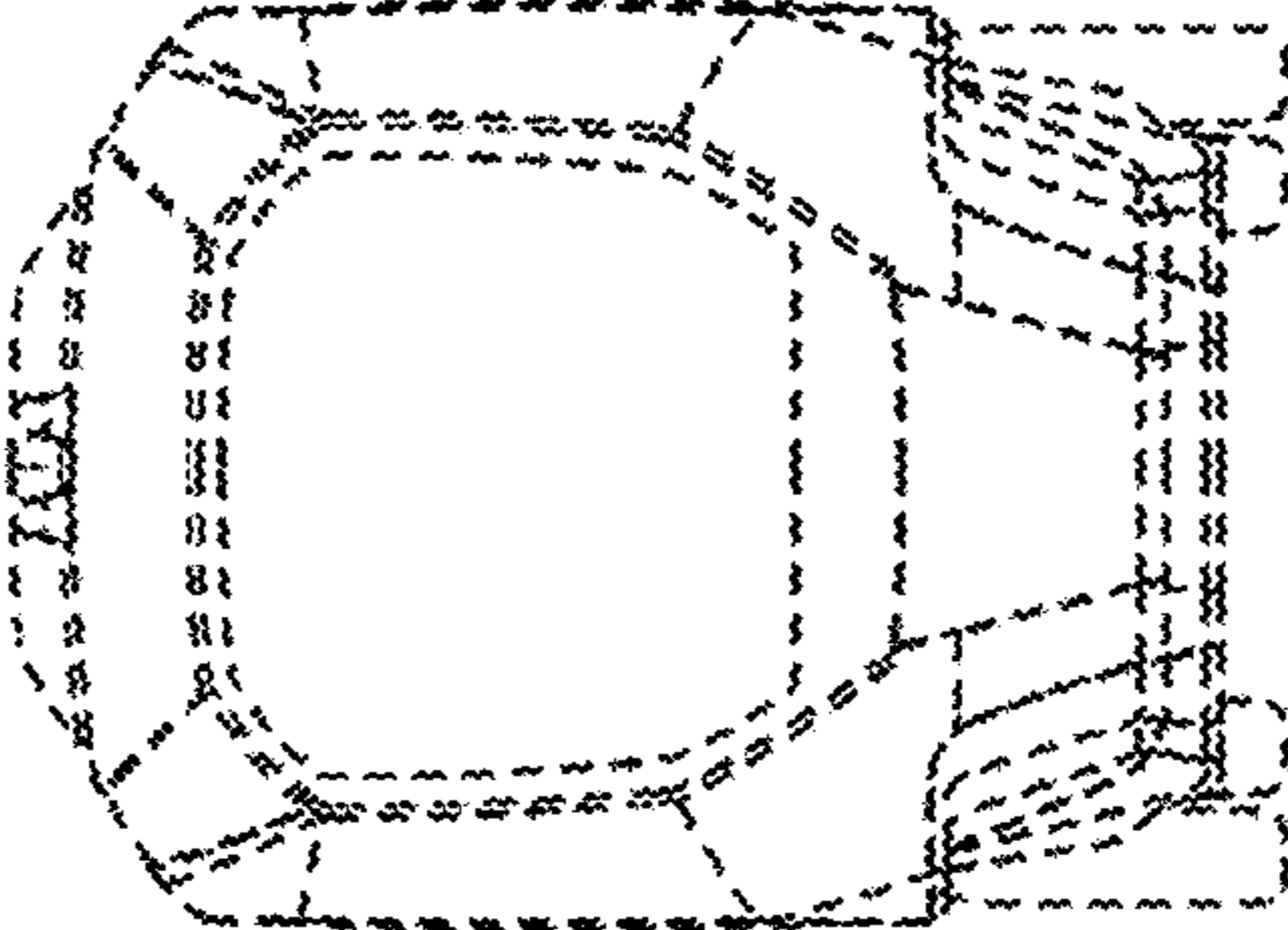


FIG. 5

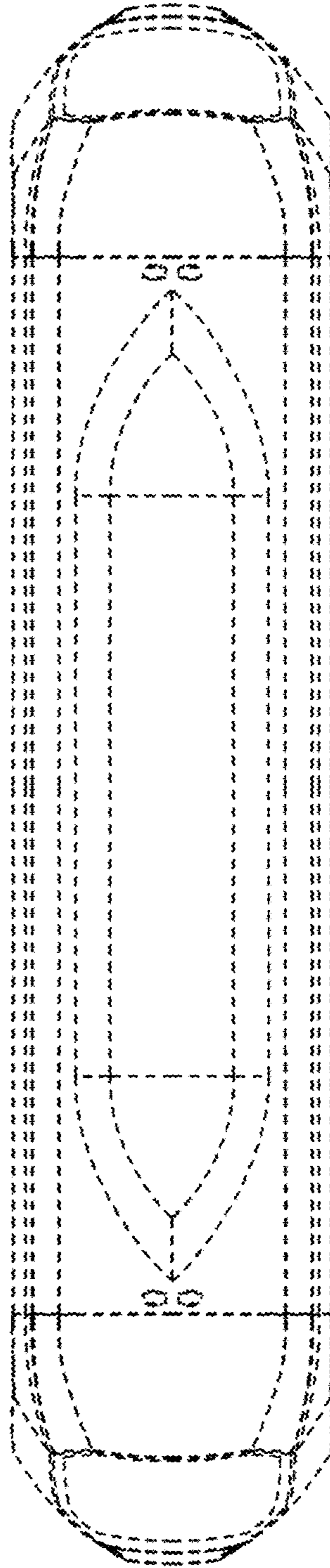


FIG. 6

