



US00D786131S

(12) **United States Design Patent**
Kiel et al.

(10) **Patent No.:** **US D786,131 S**

(45) **Date of Patent:** **** May 9, 2017**

(54) **VEHICLE GUNNER PROTECTION TURRET**

(71) Applicants: **Thomas J. Kiel**, Bernardsville, NJ
(US); **Kris J. Mayer**, Blairstown, NJ
(US); **Edward S. Zuckerman**,
Denville, NJ (US)

(72) Inventors: **Thomas J. Kiel**, Bernardsville, NJ
(US); **Kris J. Mayer**, Blairstown, NJ
(US); **Edward S. Zuckerman**,
Denville, NJ (US)

(73) Assignee: **The United States of America as
Represented by the Secretary of the
Army**, Washington, DC (US)

(**) Term: **15 Years**

(21) Appl. No.: **29/544,386**

(22) Filed: **Nov. 3, 2015**

(51) **LOC (10) Cl.** **23-03**

(52) **U.S. Cl.**
USPC **D12/12**

(58) **Field of Classification Search**
USPC D12/1, 12, 14, 15
CPC F41H 5/20; F41H 7/04; F41H 5/26; F41H
5/013; F41H 7/02; F41H 5/18; F41H
5/14; F41H 7/00; F41H 7/03; F41H
7/048; F41H 7/042; F41H 7/044; F41H
5/00; F41H 5/023; F41H 5/06; F41H 5/16
See application file for complete search history.

(56) **References Cited**

U.S. PATENT DOCUMENTS

D610,038 S * 2/2010 Kiel D12/12
D619,044 S * 7/2010 Kiel D12/12
D622,182 S * 8/2010 Parimi D12/12
8,356,541 B2 * 1/2013 Schneider F41H 5/013
89/36.08
8,910,559 B1 * 12/2014 Berman F41H 7/04
89/36.08

9,086,255 B1 * 7/2015 Berman F41H 5/20
2009/0120274 A1 * 5/2009 Schneider F41H 5/20
89/36.08
2011/0197747 A1 * 8/2011 Schneider F41H 5/013
89/36.08
2014/0083284 A1 * 3/2014 Chu F41H 5/013
89/36.02

* cited by examiner

Primary Examiner — T. Chase Nelson

Assistant Examiner — Ania Aman

(74) *Attorney, Agent, or Firm* — Lisa H. Wang

(57) **CLAIM**

I claim the ornamental design for a vehicle gunner protec-
tion turret, as shown and described.

DESCRIPTION

The inventions described herein may be manufactured and
used by or for the United States Government for government
purposes without payment of any royalties.

FIG. 1 is a top, left-side perspective view in a closed
position.

FIG. 2 is a top, front perspective view in a closed position.

FIG. 3 is a top, back left-side perspective view in a closed
position.

FIG. 4 is a top, back right-side perspective view in a closed
position.

FIG. 5 is a back view in a closed position.

FIG. 6 is a top, front right-side perspective view in a closed
position.

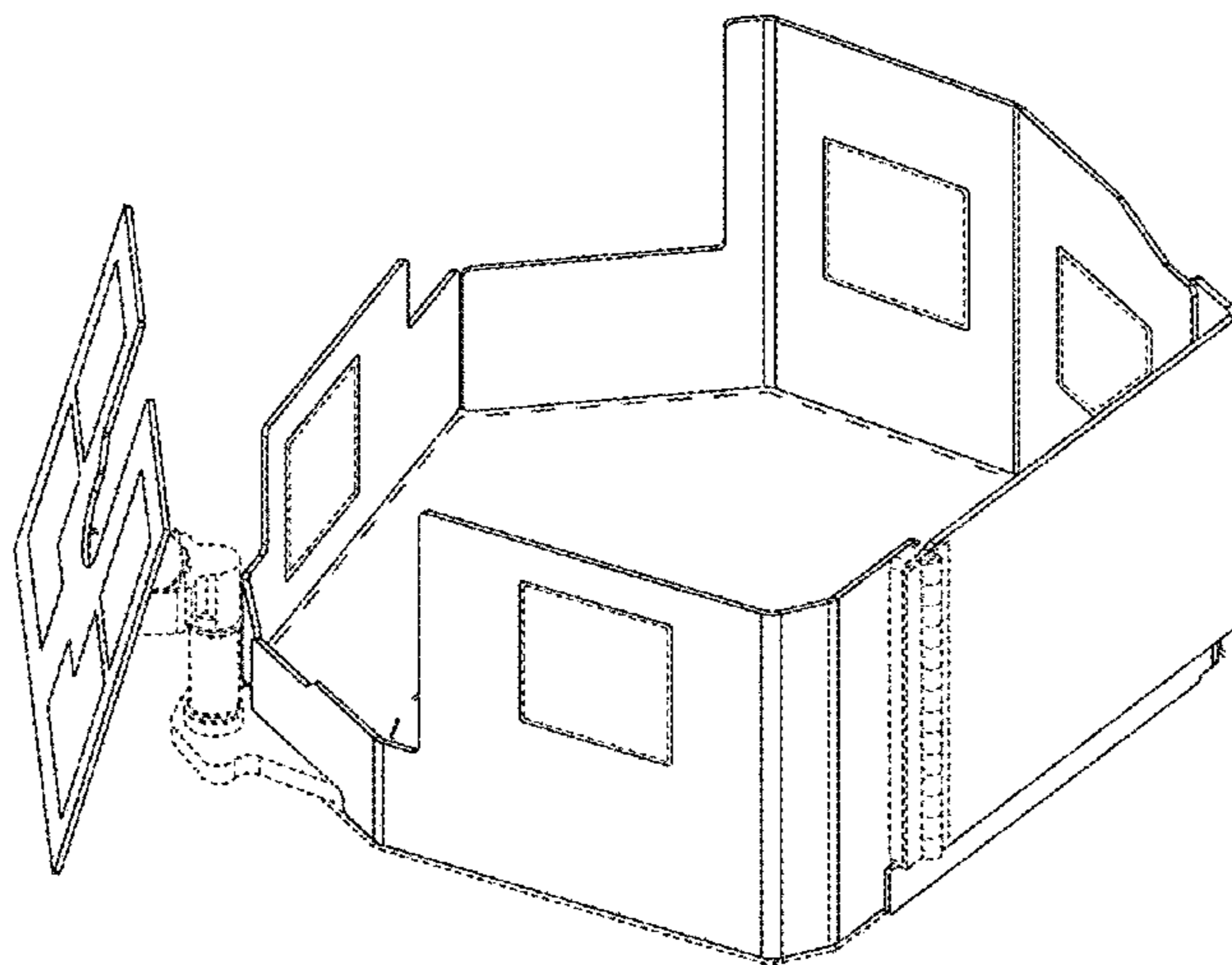
FIG. 7 is a right-side view in a closed position.

FIG. 8 is a top, left-side perspective view in an open
position; and,

FIG. 9 is a left-side view in a closed position.

The broken lines within the rectangular details represent the
boundaries of the claimed design, and the unshaded surfaces
within them form no part of the claimed design.

1 Claim, 9 Drawing Sheets



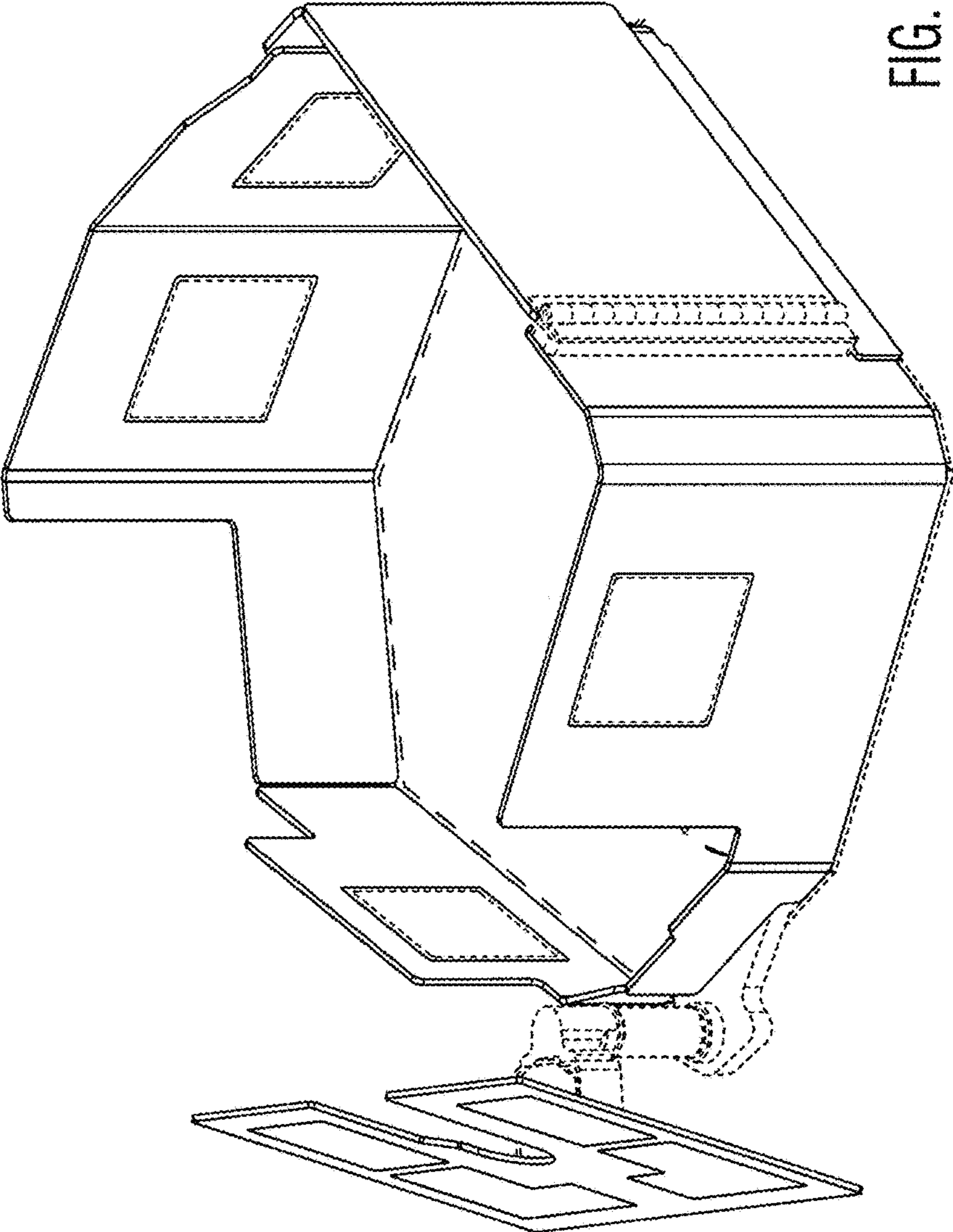


FIG. 1

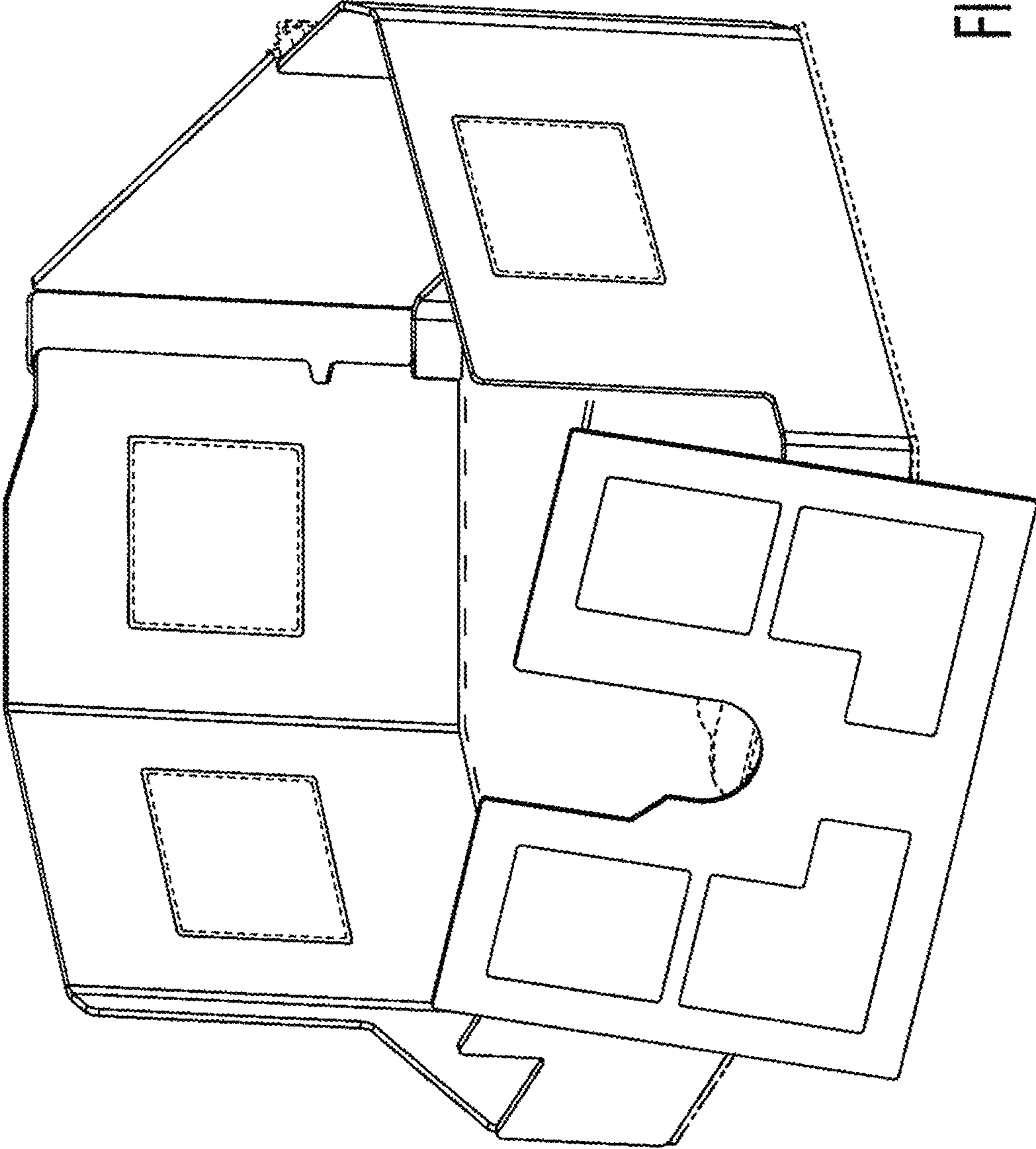


FIG. 2

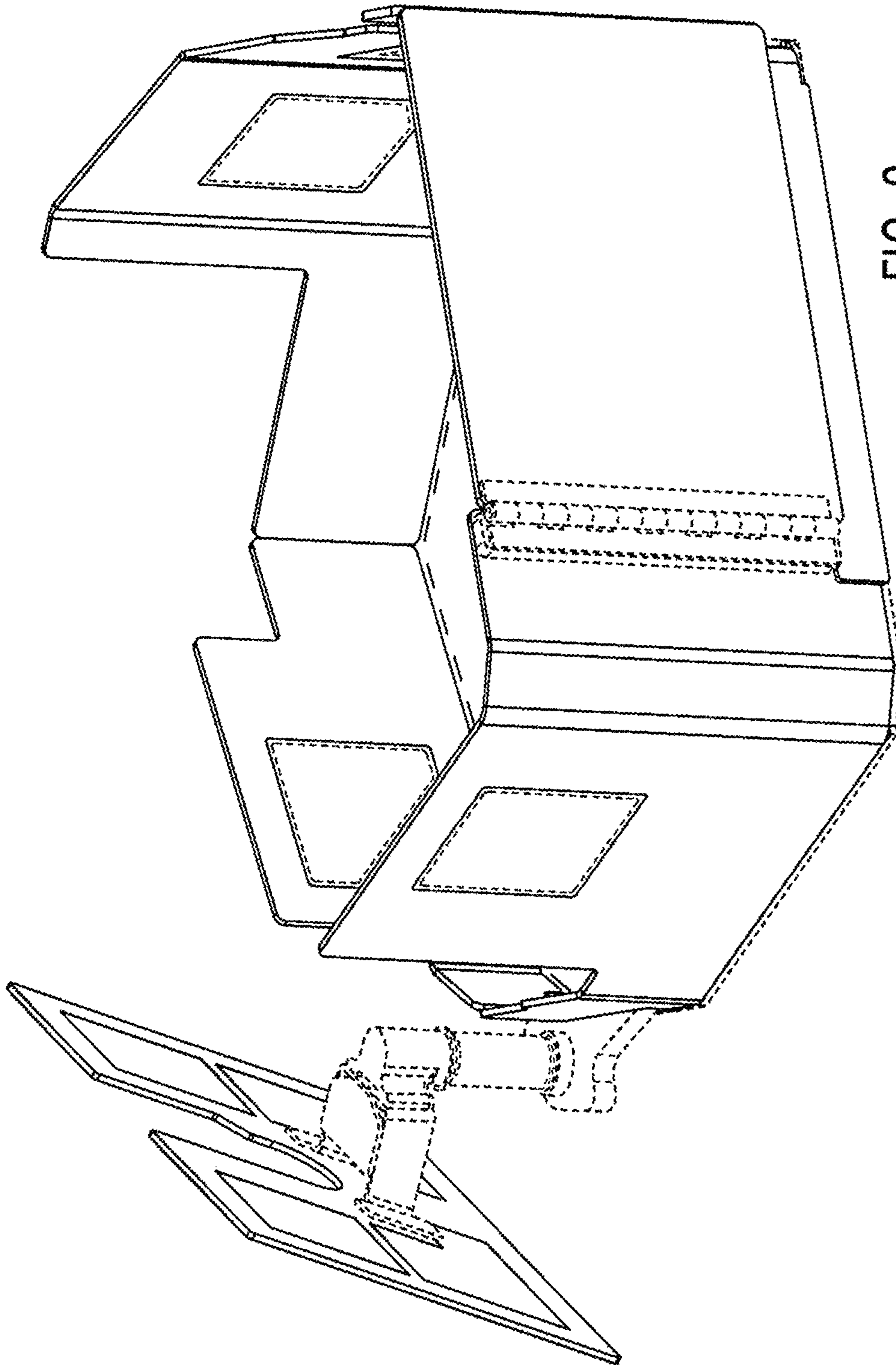


FIG. 3

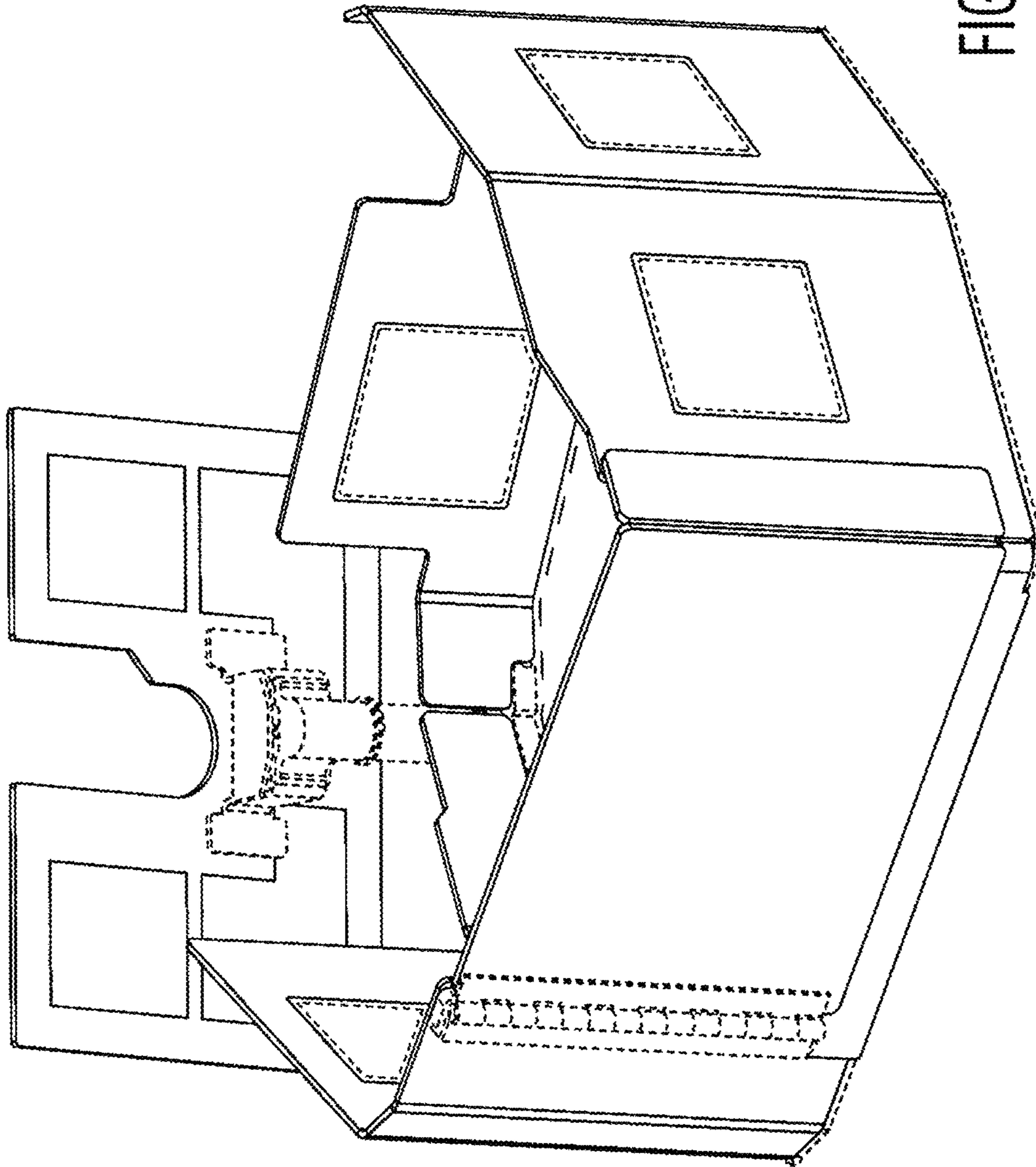


FIG. 4

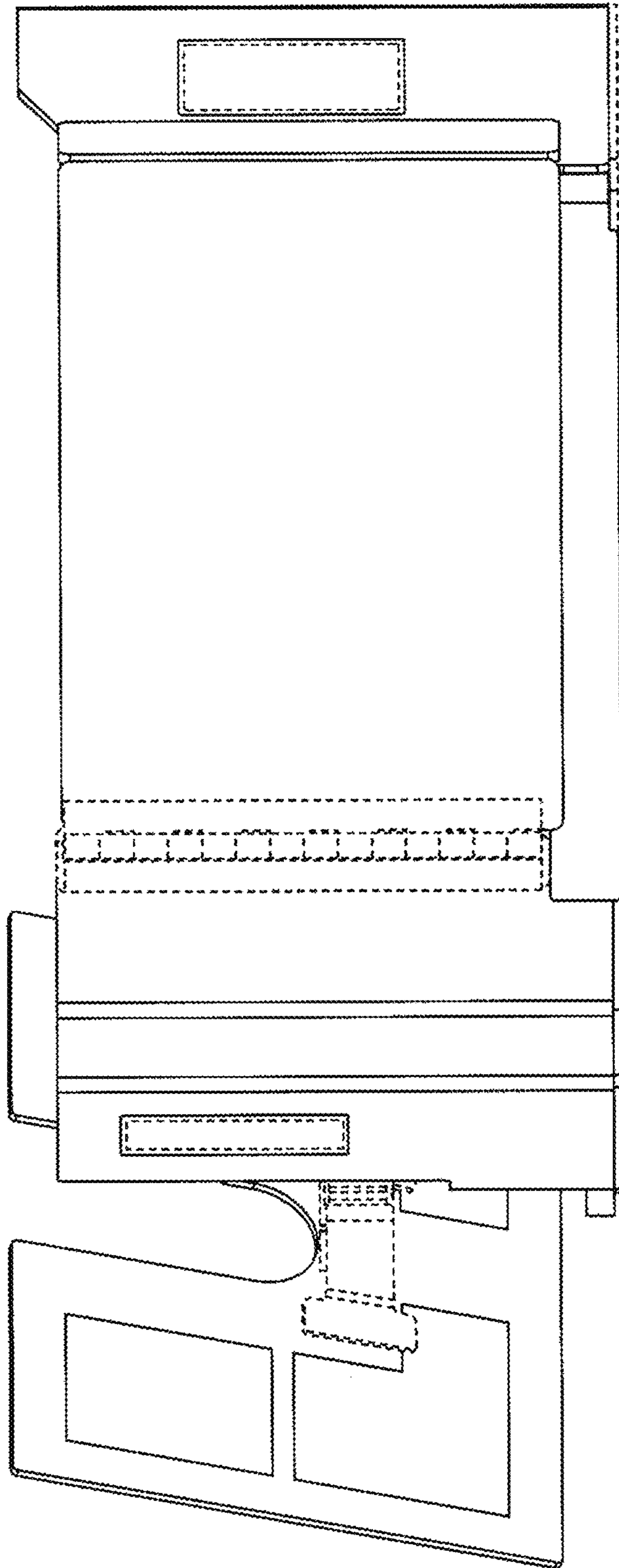


FIG. 5

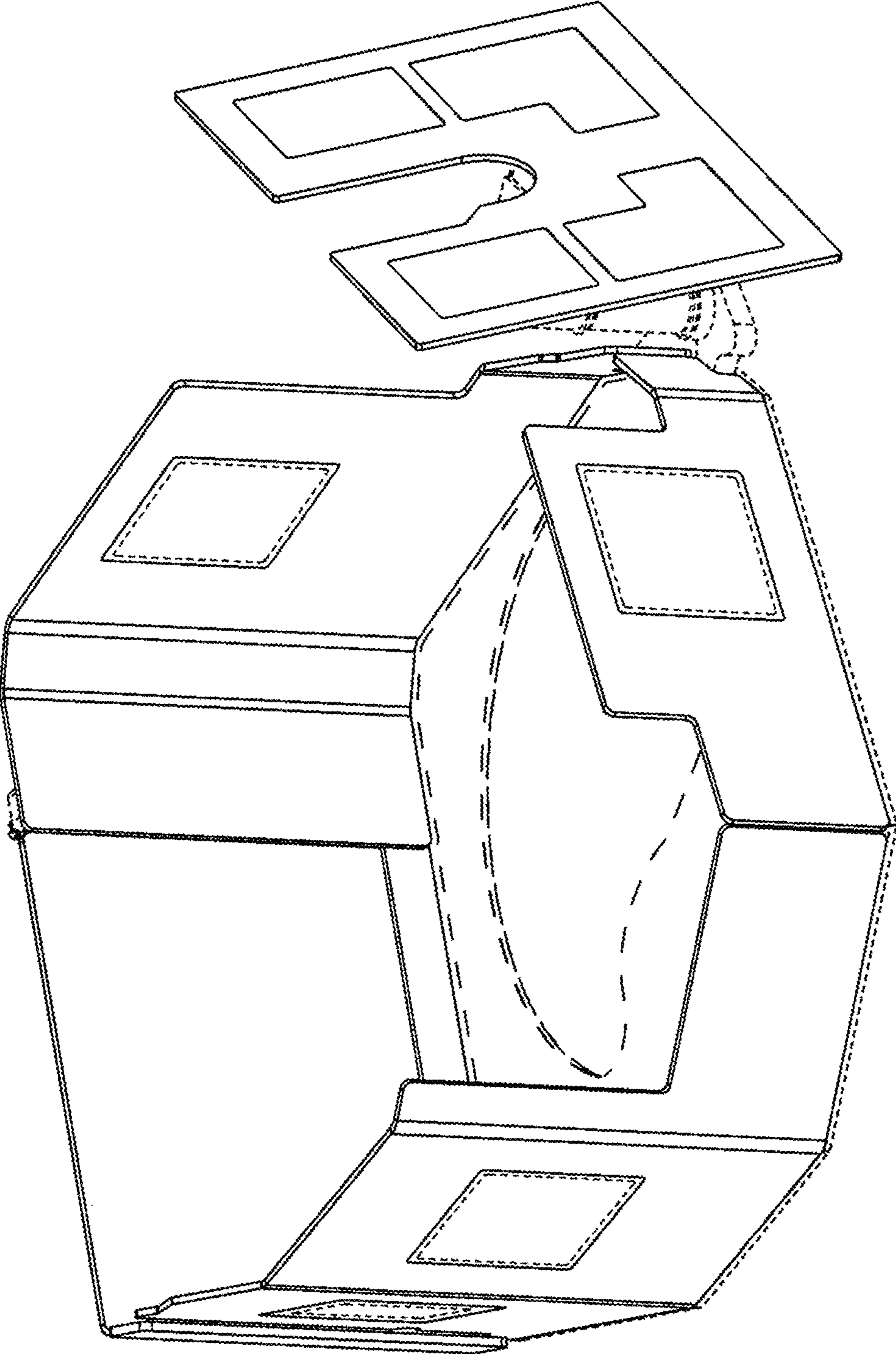


FIG. 6

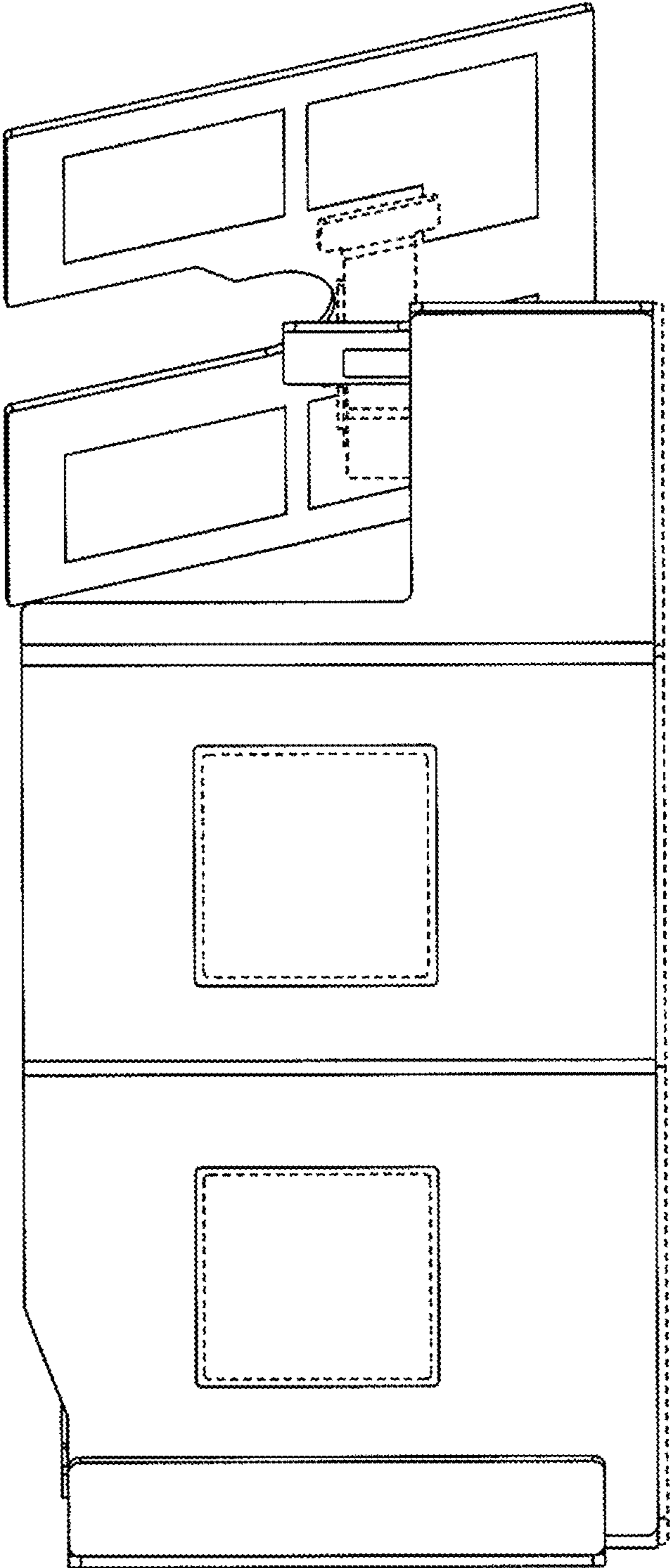


FIG. 7

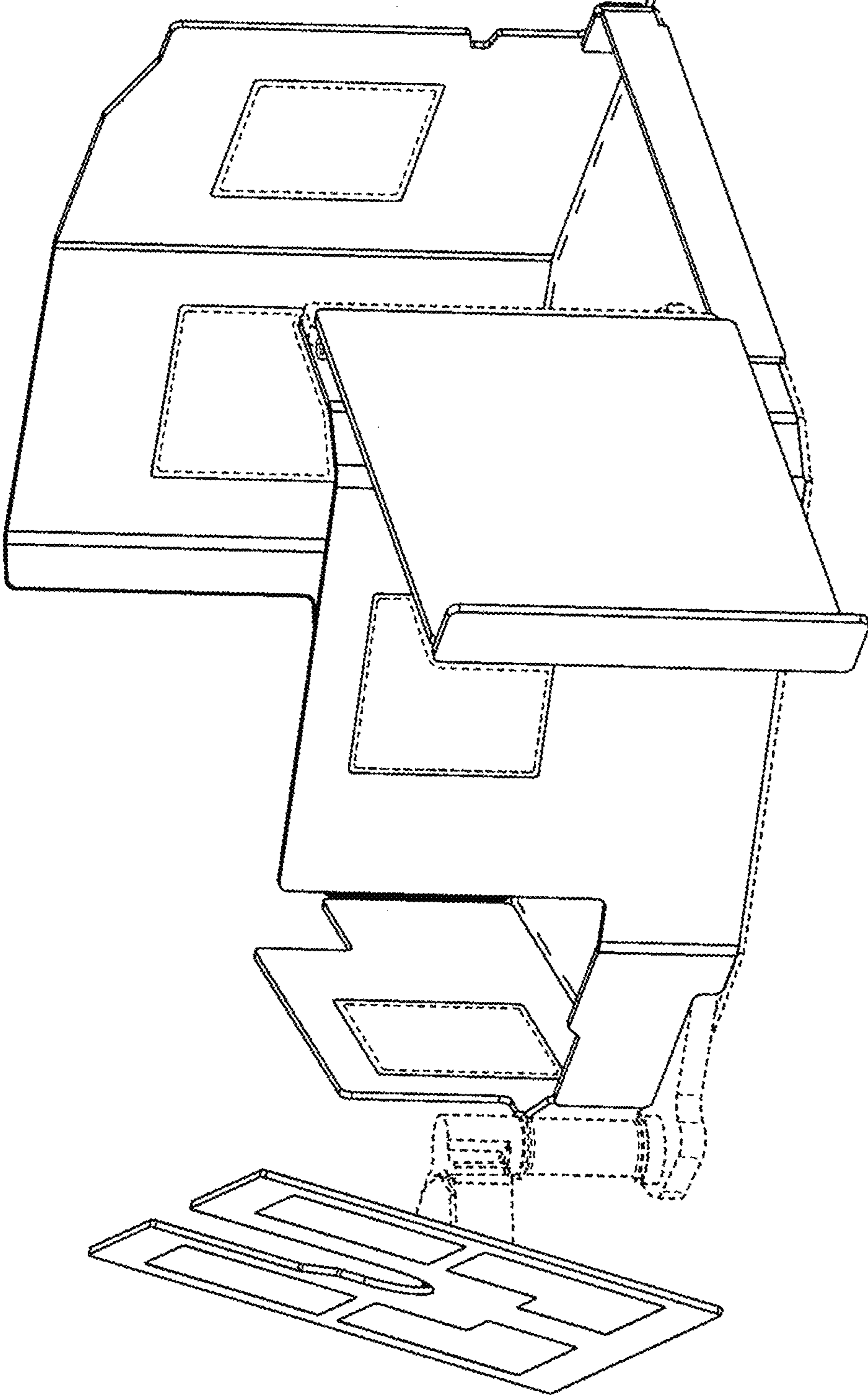


FIG. 8

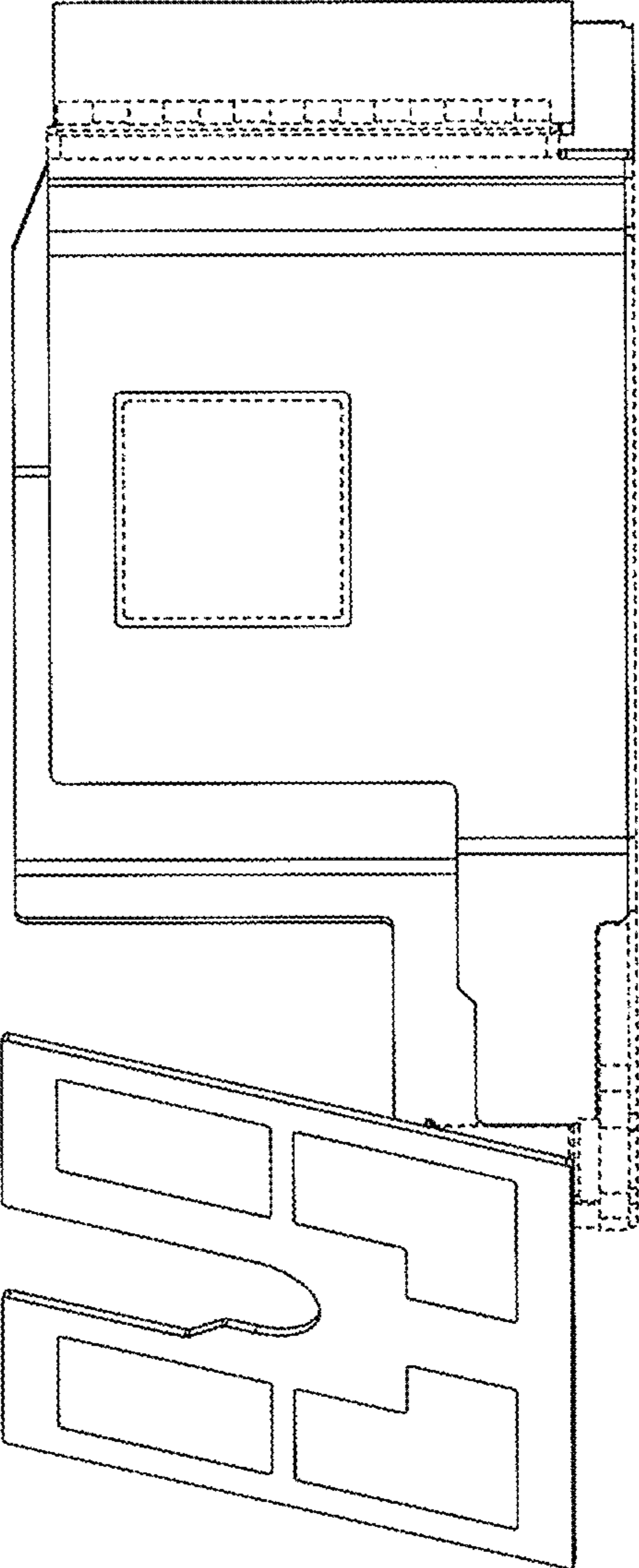


FIG. 9