



US00D786129S

(12) **United States Design Patent** (10) **Patent No.:** **US D786,129 S**
Chan et al. (45) **Date of Patent:** **** May 9, 2017**

(54) **COIN HOLDING BASE FOR MINIATURE SCULPTURE**
(71) Applicants: **Michael L. Chan**, Berkeley, CA (US);
David M. F. Chan, Lafayette, CA (US)
(72) Inventors: **Michael L. Chan**, Berkeley, CA (US);
David M. F. Chan, Lafayette, CA (US)
(**) Term: **14 Years**
(21) Appl. No.: **29/516,350**
(22) Filed: **Jan. 30, 2015**
(51) **LOC (10) Cl.** **11-02**
(52) **U.S. Cl.**
USPC **D11/164**
(58) **Field of Classification Search**
USPC D11/164, 131, 132, 143, 152, 155;
D6/300-314; D9/414, 428, 430, 504,
D9/500; D99/34-37; D26/22; 453/54,
453/50, 51
CPC A45C 1/12; G07D 9/002; G07F 17/105
See application file for complete search history.

D319,414 S * 8/1991 Moore D11/131
D324,997 S * 3/1992 Jones D28/82
D329,933 S * 9/1992 Perkitny D99/35
D332,513 S * 1/1993 Haung D99/37
D364,111 S * 11/1995 Smolik D11/132
D431,114 S * 9/2000 Smith D21/710
6,302,777 B1 * 10/2001 Zoldan A45C 1/10
221/132
D460,692 S * 7/2002 Cumberbatch D9/504
D464,886 S * 10/2002 Bried D9/504
D530,525 S * 10/2006 Greene, II D6/309
D541,176 S * 4/2007 Bried D9/504
D581,792 S * 12/2008 Krohn D9/504
D592,409 S * 5/2009 Wu D6/309
D668,015 S * 9/2012 Lynch D99/34
D692,606 S * 10/2013 Schrimmer D26/72
D745,916 S * 12/2015 Oh D16/134

* cited by examiner

Primary Examiner — Cathron Brooks
Assistant Examiner — Teddy Falloway
(74) *Attorney, Agent, or Firm* — Thomas Schneck

(57) **CLAIM**

We claim the ornamental design for a coin holding base for miniature sculpture, as shown and described.

DESCRIPTION

FIG. 1 is a bottom perspective view of a coin holding base for miniature sculpture of our design;
FIG. 2 is a top perspective thereof;
FIG. 3 is a front elevational view thereof;
FIG. 4 is a left side elevational view thereof, the right side is a mirror image thereof;
FIG. 5 is a rear elevational view thereof;
FIG. 6 is a top plan view thereof; and,
FIG. 7 is a bottom plan view thereof.

1 Claim, 3 Drawing Sheets

(56) **References Cited**
U.S. PATENT DOCUMENTS
1,431,162 A * 10/1922 Keplinger E05B 37/00
232/4 R
1,510,660 A * 10/1924 Dill A45C 1/12
232/4 R
1,637,312 A * 7/1927 Hoag A45C 1/12
232/4 R
1,666,524 A * 4/1928 Baughman A45C 1/12
232/4 R
1,708,238 A * 4/1929 Russell G07F 17/105
292/303
2,553,257 A * 5/1951 Honeyman A45C 1/02
206/0.81

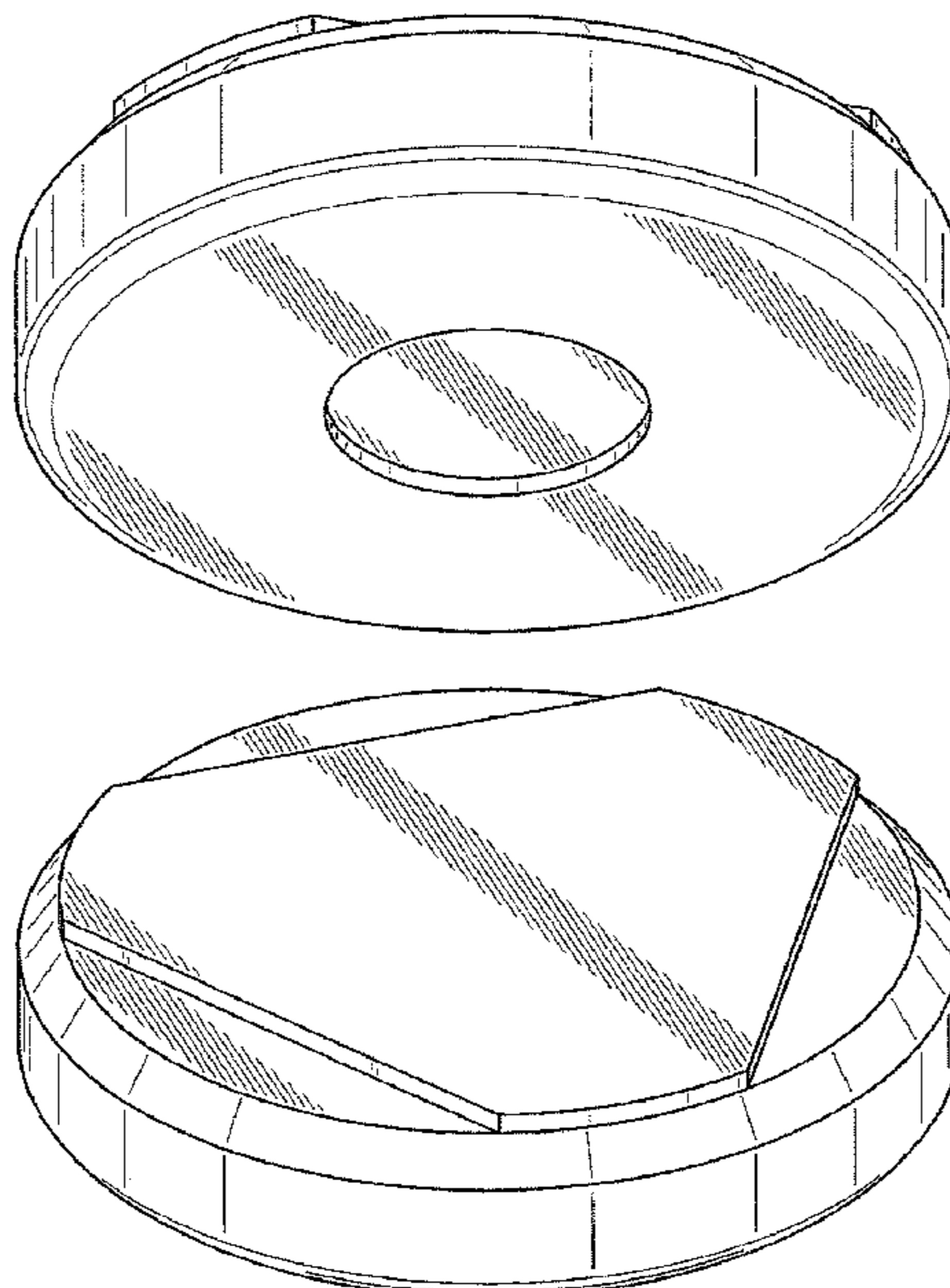


FIG. 1

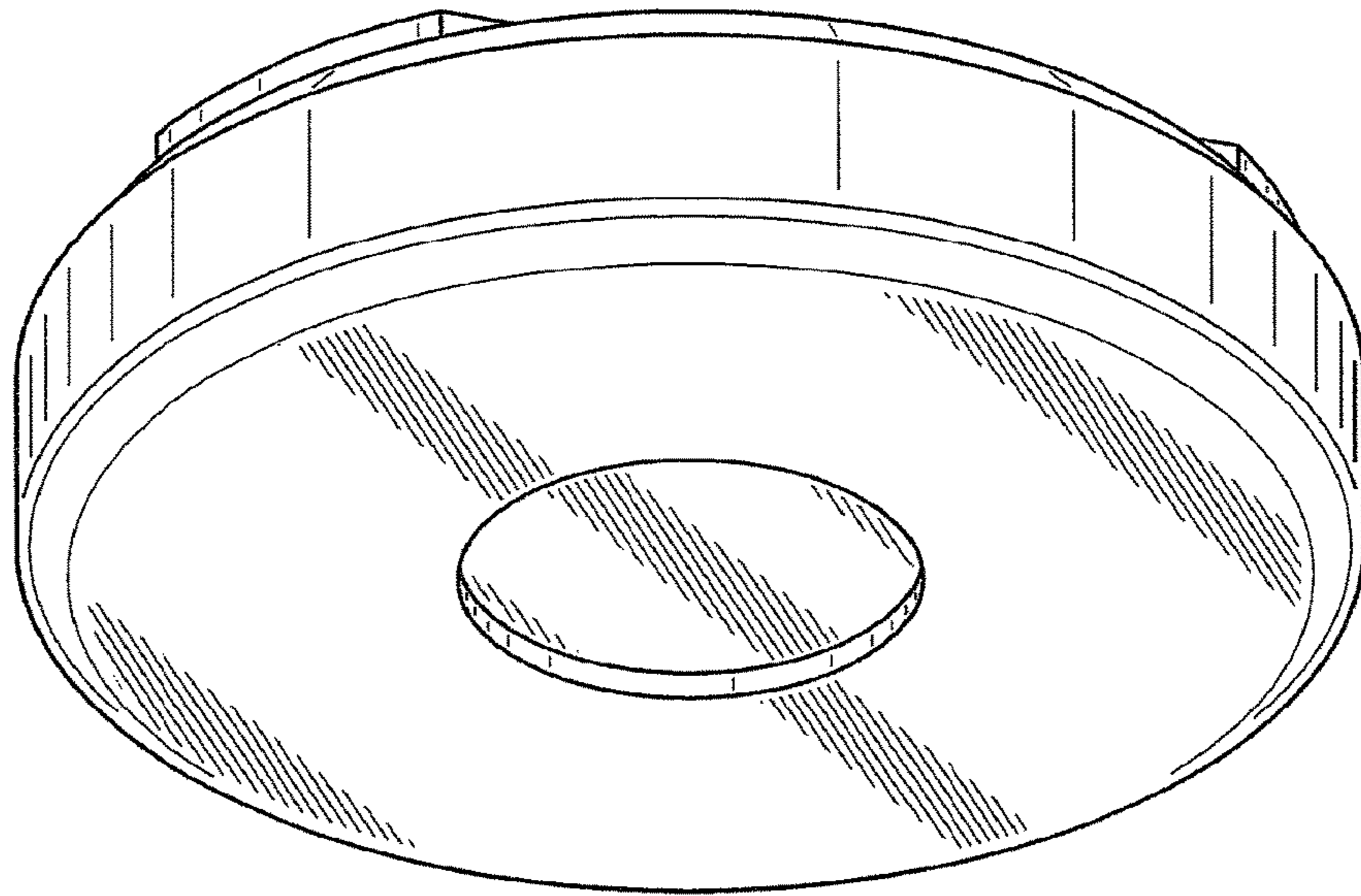


FIG. 2

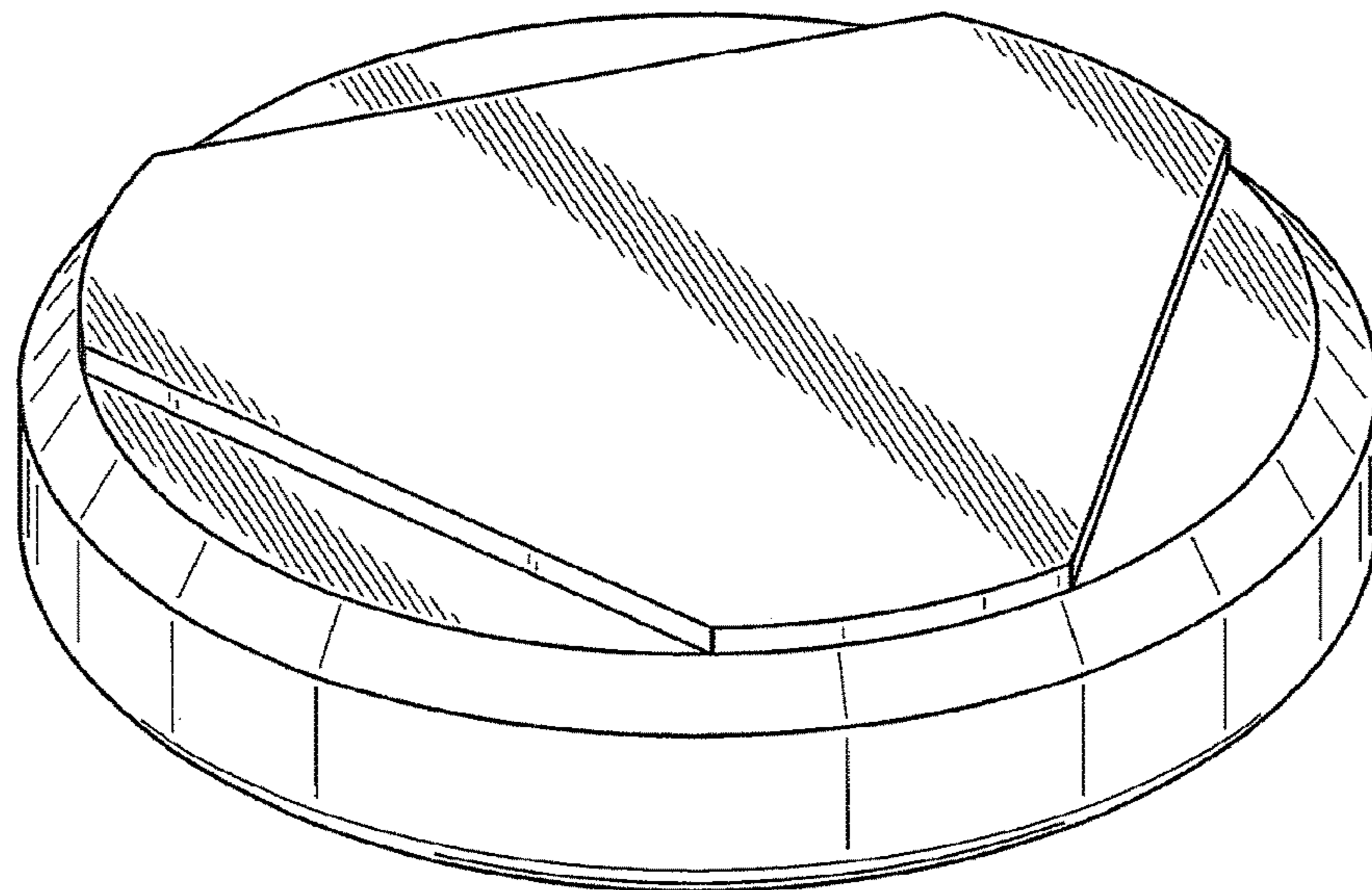


FIG. 3

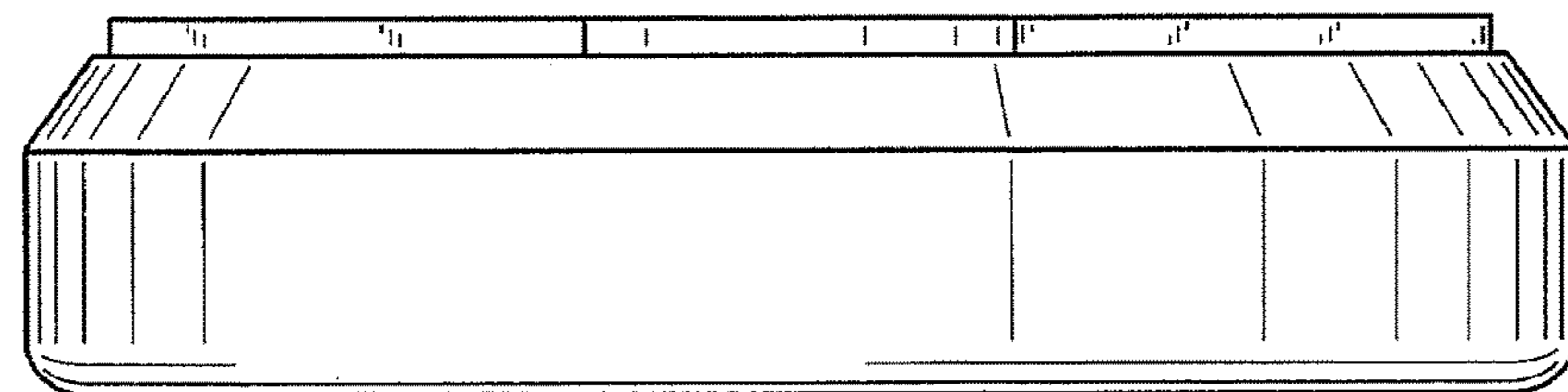


FIG. 4

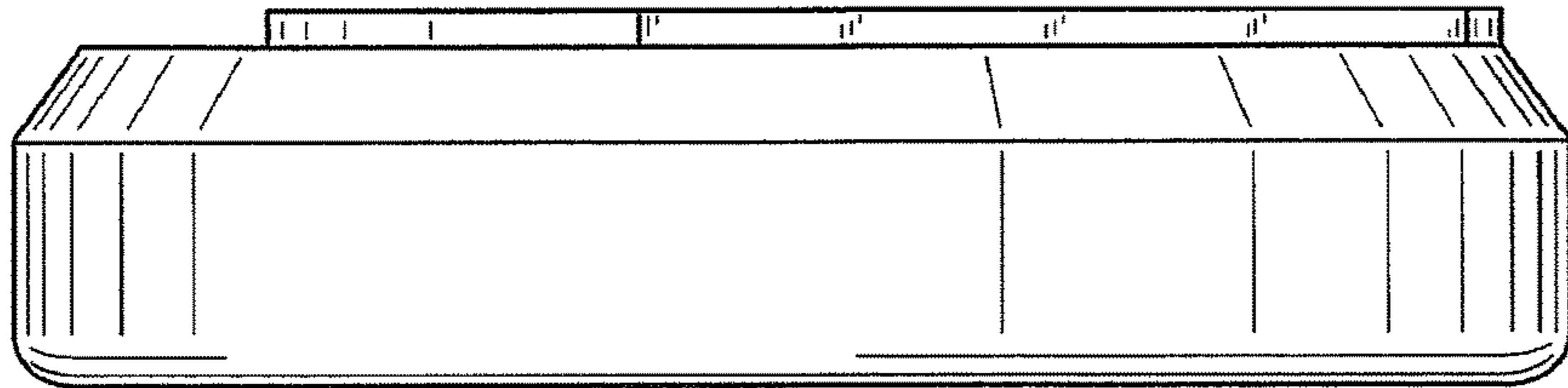


FIG. 5

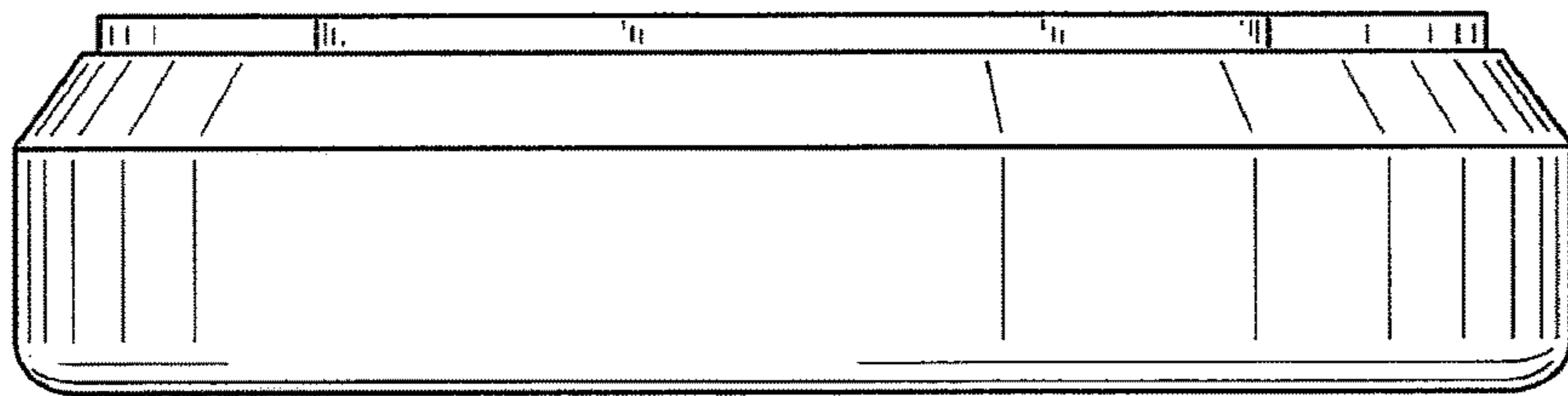


FIG. 6

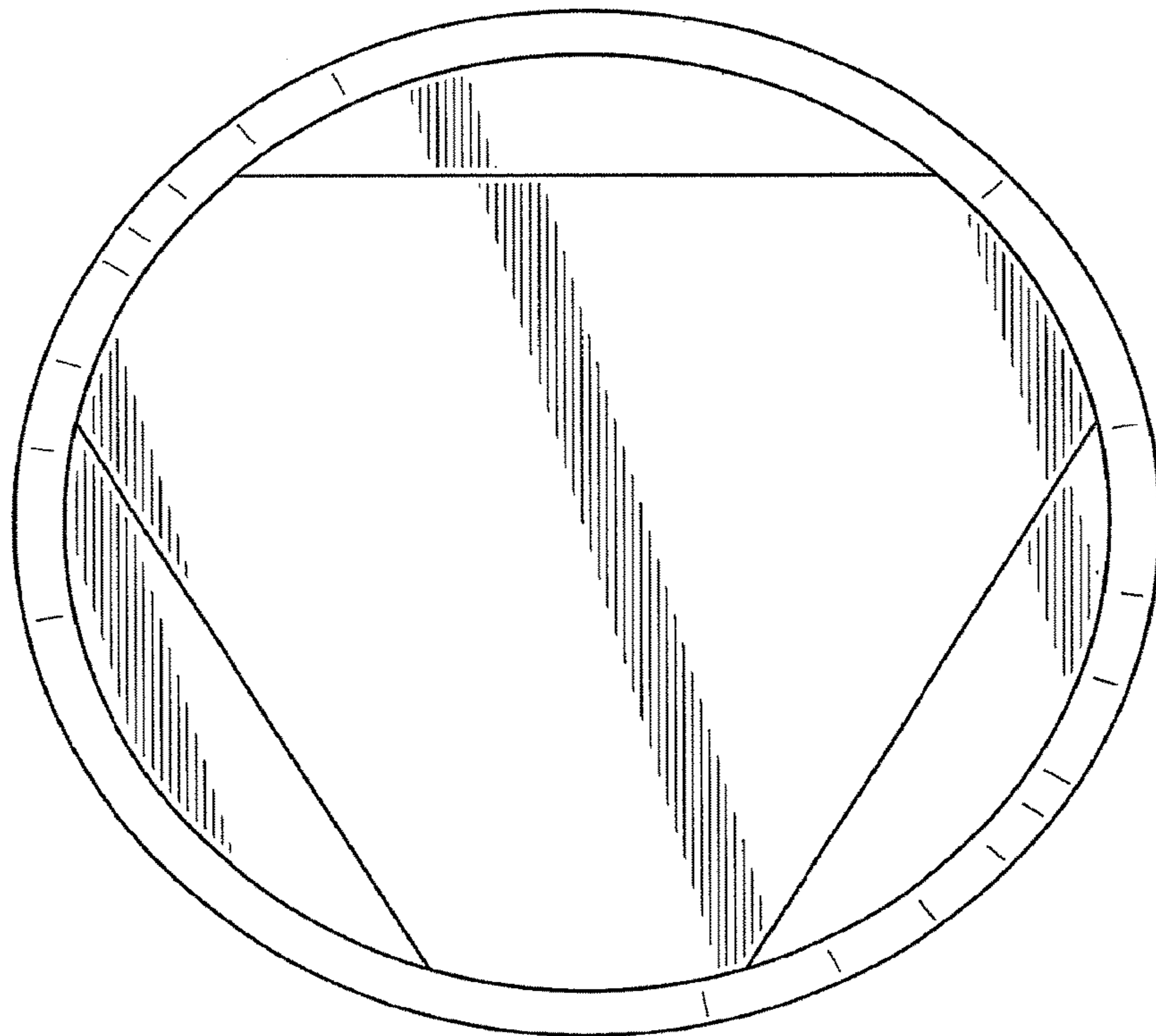


FIG. 7

