



US00D786123S

(12) **United States Design Patent** (10) **Patent No.:** **US D786,123 S**
Jimenez et al. (45) **Date of Patent:** **** May 9, 2017**

(54) **BARBELL CROSS PENDANT**

- (71) Applicants: **Adam Jimenez**, Waco, TX (US);
Robert Jimenez, Waco, TX (US)
- (72) Inventors: **Adam Jimenez**, Waco, TX (US);
Robert Jimenez, Waco, TX (US)
- (73) Assignee: **Jimenez Works LLC**, Waco, TX (US)
- (**) Term: **15 Years**
- (21) Appl. No.: **29/566,820**
- (22) Filed: **Jun. 2, 2016**
- (51) **LOC (10) Cl.** **11-01**
- (52) **U.S. Cl.**
USPC **D11/81; D11/96**
- (58) **Field of Classification Search**
USPC ... D11/1, 2, 7, 8, 79-86, 43, 44, 48, 96, 99;
D99/27
CPC A44C 1/00; A44C 7/002; A44C 15/001;
A44C 15/005; A44C 25/00; A44C
25/001; A44C 25/002; A44C 25/004;
A44C 25/005; A44C 25/007
See application file for complete search history.

(56) **References Cited**

U.S. PATENT DOCUMENTS

- D252,805 S * 9/1979 Mitchum D11/75
- D536,636 S * 2/2007 Dobbins D11/133
- D746,168 S * 12/2015 Vaughan D11/81

OTHER PUBLICATIONS

[Online] <https://cdn.shopify.com/s/files/1/1546/1365/products/AIF-ProductPhotos-Resized-21.jpg?v=1483985846>. Retrieved Feb. 17, 2017.*

* cited by examiner

Primary Examiner — Melanie Pellegrini

(74) *Attorney, Agent, or Firm* — Cesari & Reed LLP; R. Michael Reed

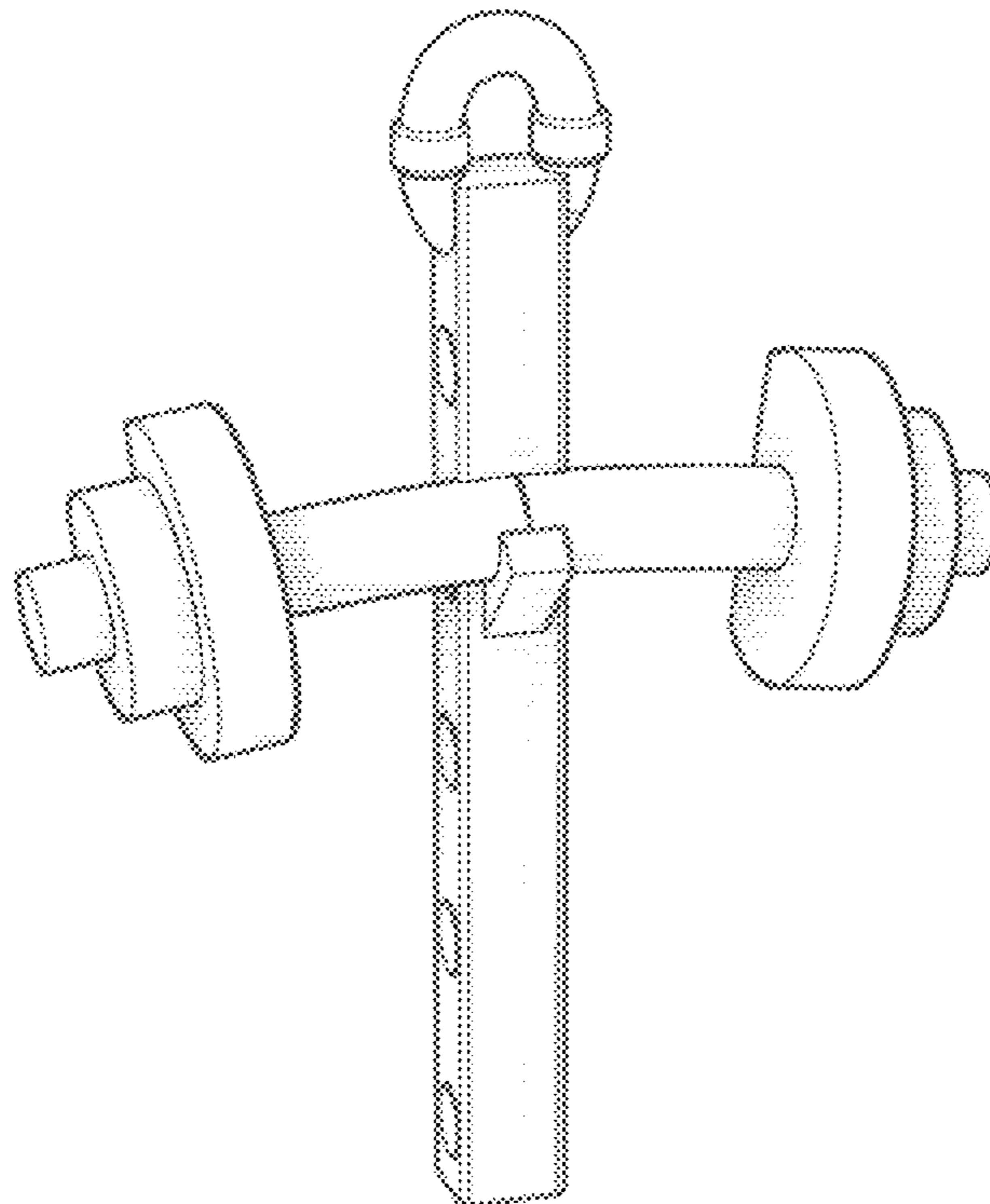
(57) **CLAIM**

The ornamental design for a barbell cross pendant, as shown and described.

DESCRIPTION

FIG. 1 is a front perspective view of a barbell cross pendant according to the present disclosure;
 FIG. 2 is a rear view of the barbell cross pendant of FIG. 1;
 FIG. 3 is a front view of the barbell cross pendant of FIG. 1;
 FIG. 4 is a right side view of the barbell cross pendant of FIG. 1;
 FIG. 5 is a left side view of the barbell cross pendant of FIG. 1;
 FIG. 6 is a top view of the barbell cross pendant of FIG. 1; and,
 FIG. 7 is a bottom view of the barbell cross pendant of FIG. 1.

1 Claim, 3 Drawing Sheets



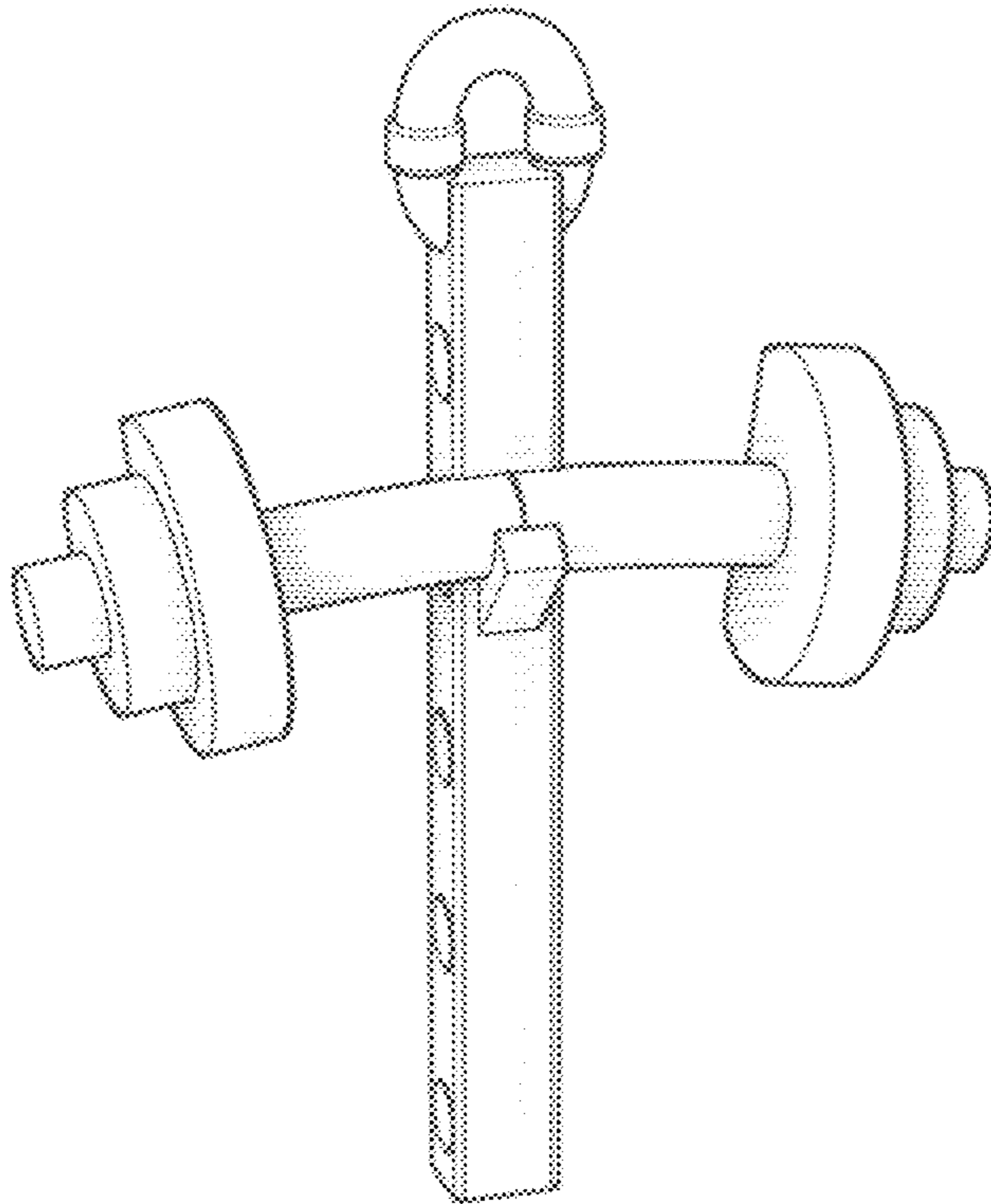


FIG. 1

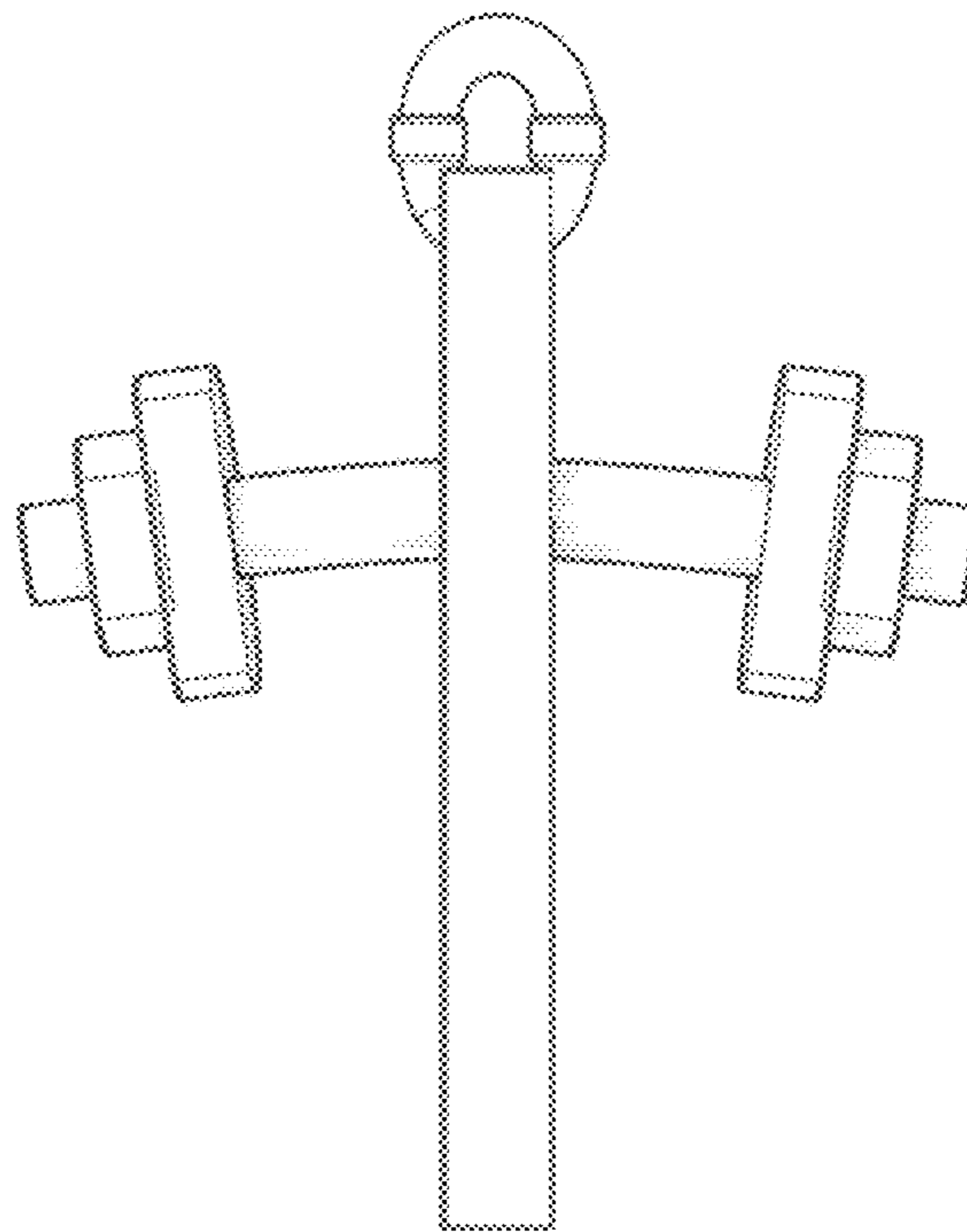


FIG. 2

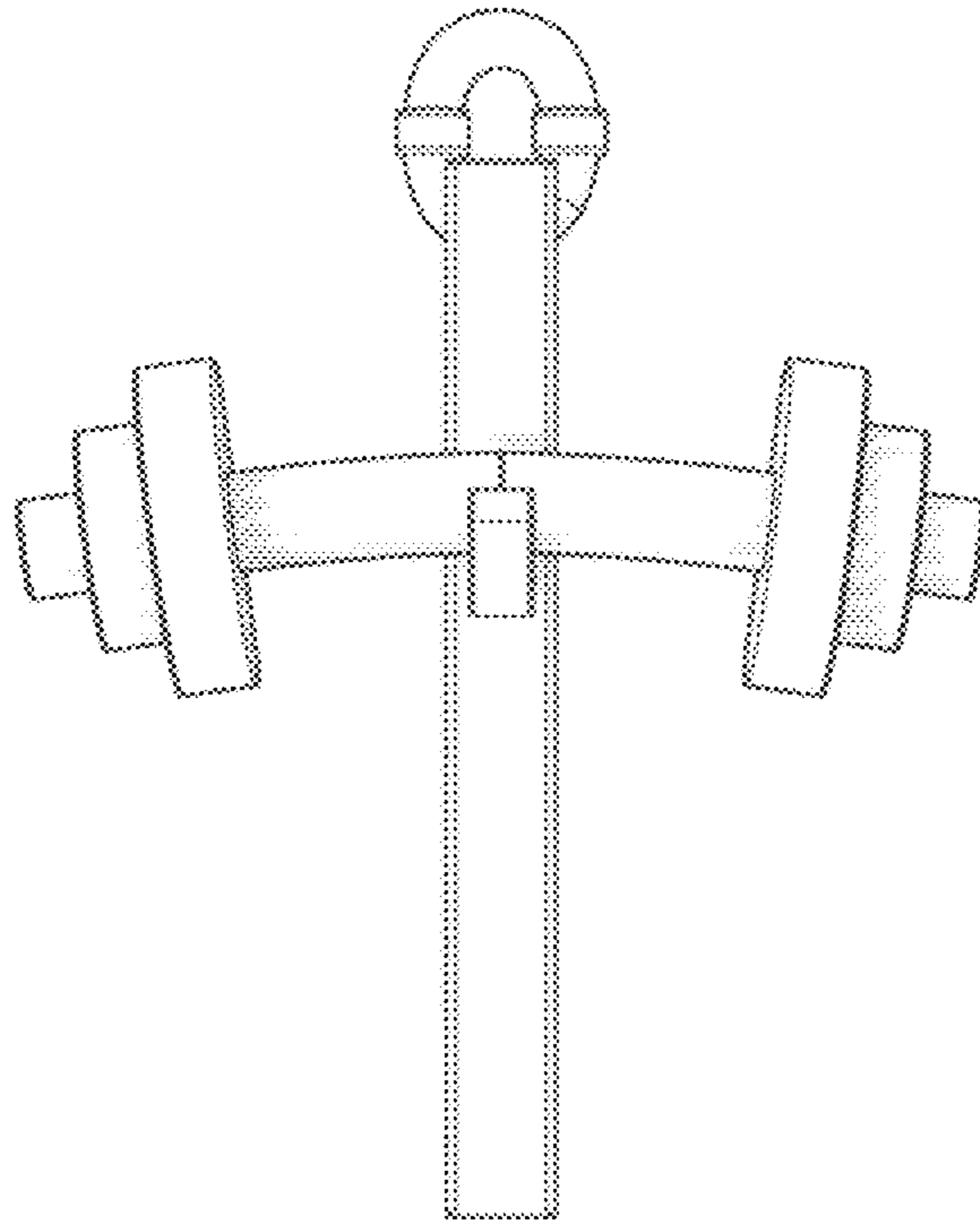


FIG. 3

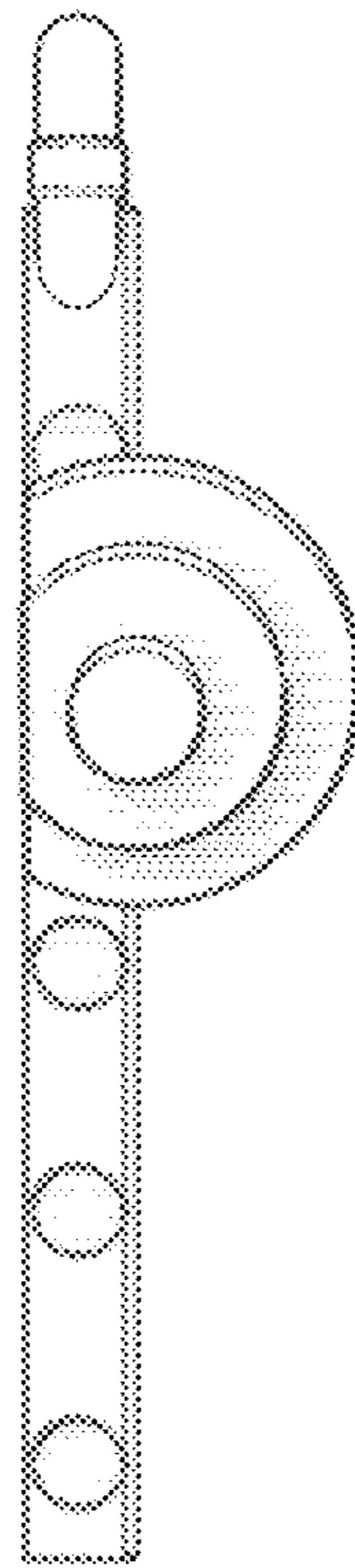


FIG. 4

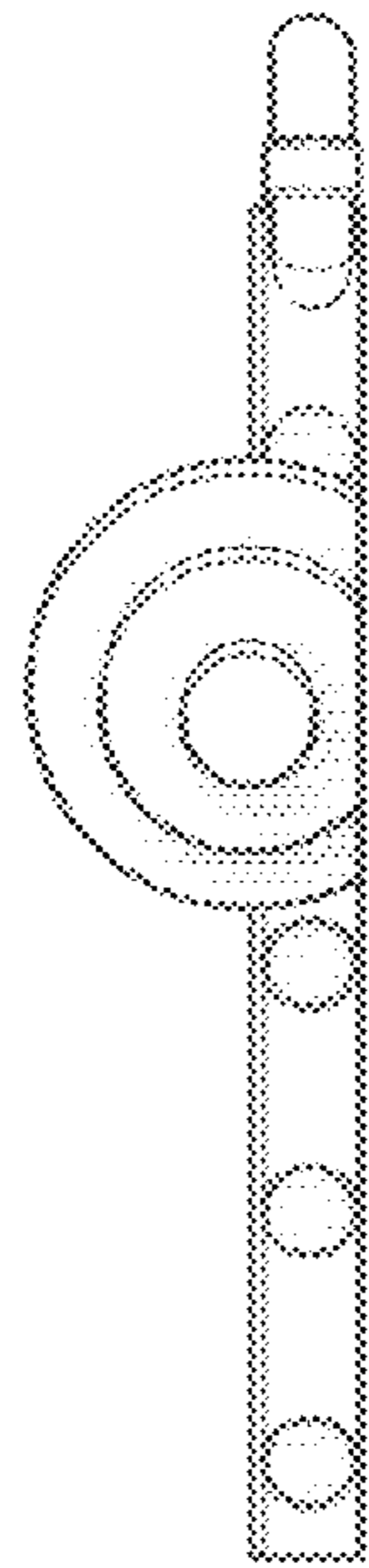


FIG. 5

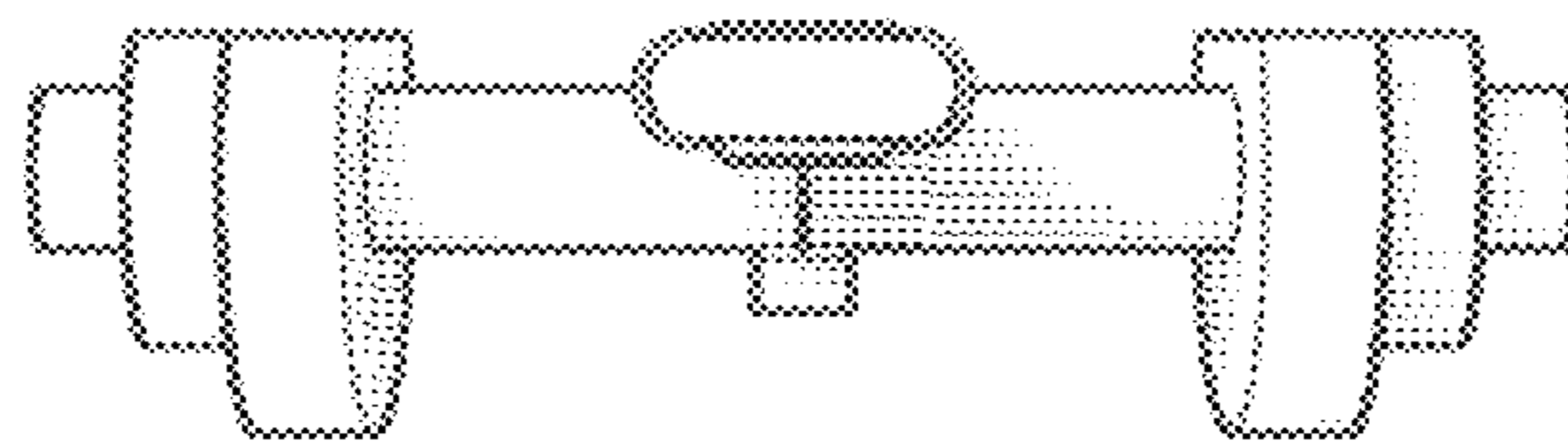


FIG. 6

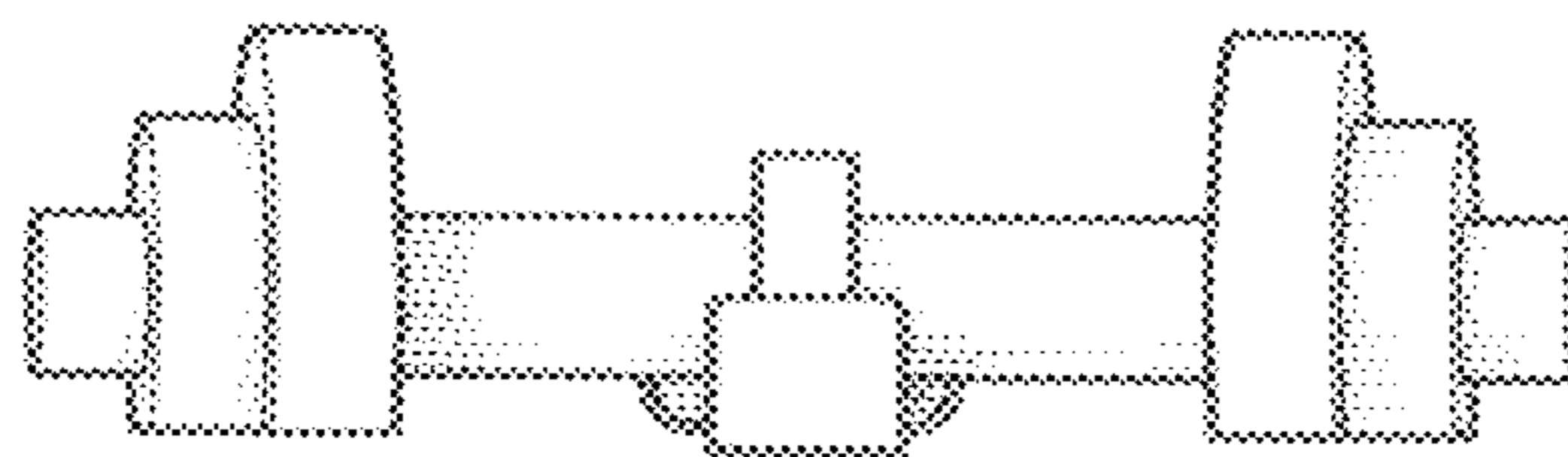


FIG. 7