



US00D786122S

(12) **United States Design Patent** (10) **Patent No.:** **US D786,122 S**
Jimenez et al. (45) **Date of Patent:** **** May 9, 2017**

(54) **BASEBALL BAT CROSS PENDANT**

(71) Applicants: **Adam Jimenez**, Waco, TX (US);
Robert Jimenez, Waco, TX (US)

(72) Inventors: **Adam Jimenez**, Waco, TX (US);
Robert Jimenez, Waco, TX (US)

(73) Assignee: **Jimenez Works LLC**, Waco, TX (US)

(**) Term: **15 Years**

(21) Appl. No.: **29/566,370**

(22) Filed: **May 27, 2016**

(51) **LOC (10) Cl.** **11-01**

(52) **U.S. Cl.**
USPC **D11/81**; D11/96

(58) **Field of Classification Search**
USPC ... D11/1, 2, 7, 8, 79-86, 43, 44, 48, 96, 99;
D99/27
CPC A44C 1/00; A44C 7/002; A44C 15/001;
A44C 15/005; A44C 25/00; A44C
25/001; A44C 25/002; A44C 25/004;
A44C 25/005; A44C 25/007
See application file for complete search history.

(56) **References Cited**

U.S. PATENT DOCUMENTS

D10,880 S *	10/1878	Clark	D11/81
D38,556 S *	5/1907	Levi	D11/99
D39,194 S *	3/1908	Persic	D11/116
D40,653 S *	4/1910	Adler	D11/99
D52,667 S *	11/1918	Maynard	30/324
D75,806 S *	7/1928	Pejchar	D11/223
2,084,738 A *	6/1937	Manker	A44B 6/00 24/458
D128,625 S *	8/1941	Fischer	206/232
D226,624 S *	4/1973	Mays	D11/81

D415,398 S *	10/1999	Wysopal	D3/211
D485,206 S *	1/2004	Pachachi	D11/96
D523,374 S *	6/2006	Raid	D11/96
D570,241 S *	6/2008	Pineda	D11/81
D571,685 S *	6/2008	Pineda	D11/81
D752,474 S *	3/2016	Warner	D11/96

OTHER PUBLICATIONS

[Online] <https://www.facebook.com/fivetoolbaseballjewelry/photos/a.536979289826359.1073741825.536976809826607/536979296493025/?type=3&theater>. Posted online Mar. 30, 2016. Retrieved Feb. 16, 2017.*

* cited by examiner

Primary Examiner — Melanie Pellegrini

(74) *Attorney, Agent, or Firm* — Cesari & Reed LLP; R. Michael Reed

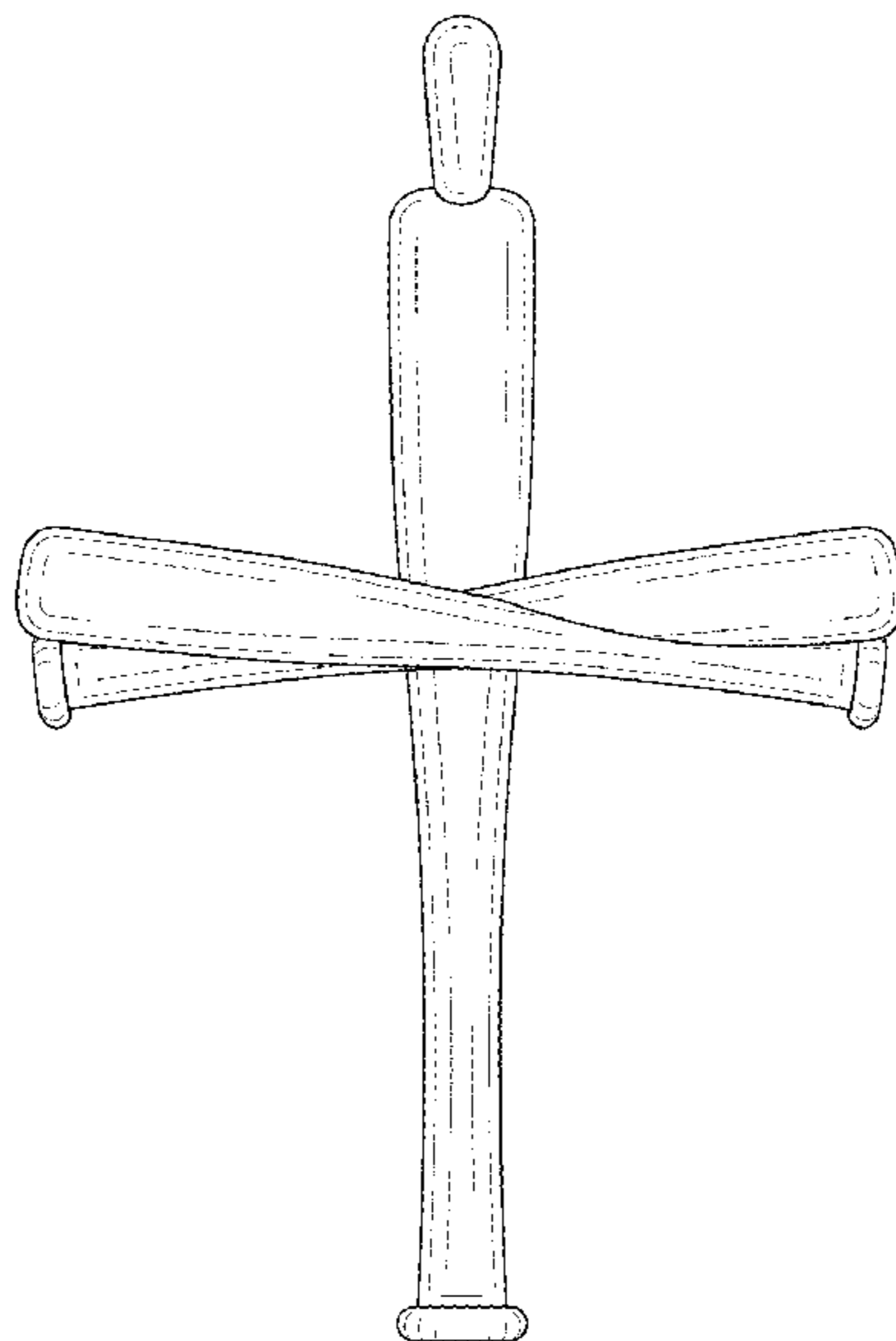
(57) **CLAIM**

The ornamental design for a baseball bat cross pendant, as shown and described.

DESCRIPTION

FIG. 1 is a rear perspective view of a baseball bat cross pendant according to the present disclosure;
 FIG. 2 is a rear view of the baseball bat cross pendant of FIG. 1;
 FIG. 3 is a front view of the baseball bat cross pendant of FIG. 1;
 FIG. 4 is a right side view of the baseball bat cross pendant of FIG. 1;
 FIG. 5 is a left side view of the baseball bat cross pendant of FIG. 1;
 FIG. 6 is a top view of the baseball bat cross pendant of FIG. 1; and,
 FIG. 7 is a bottom view of the baseball bat cross pendant of FIG. 1.

1 Claim, 3 Drawing Sheets



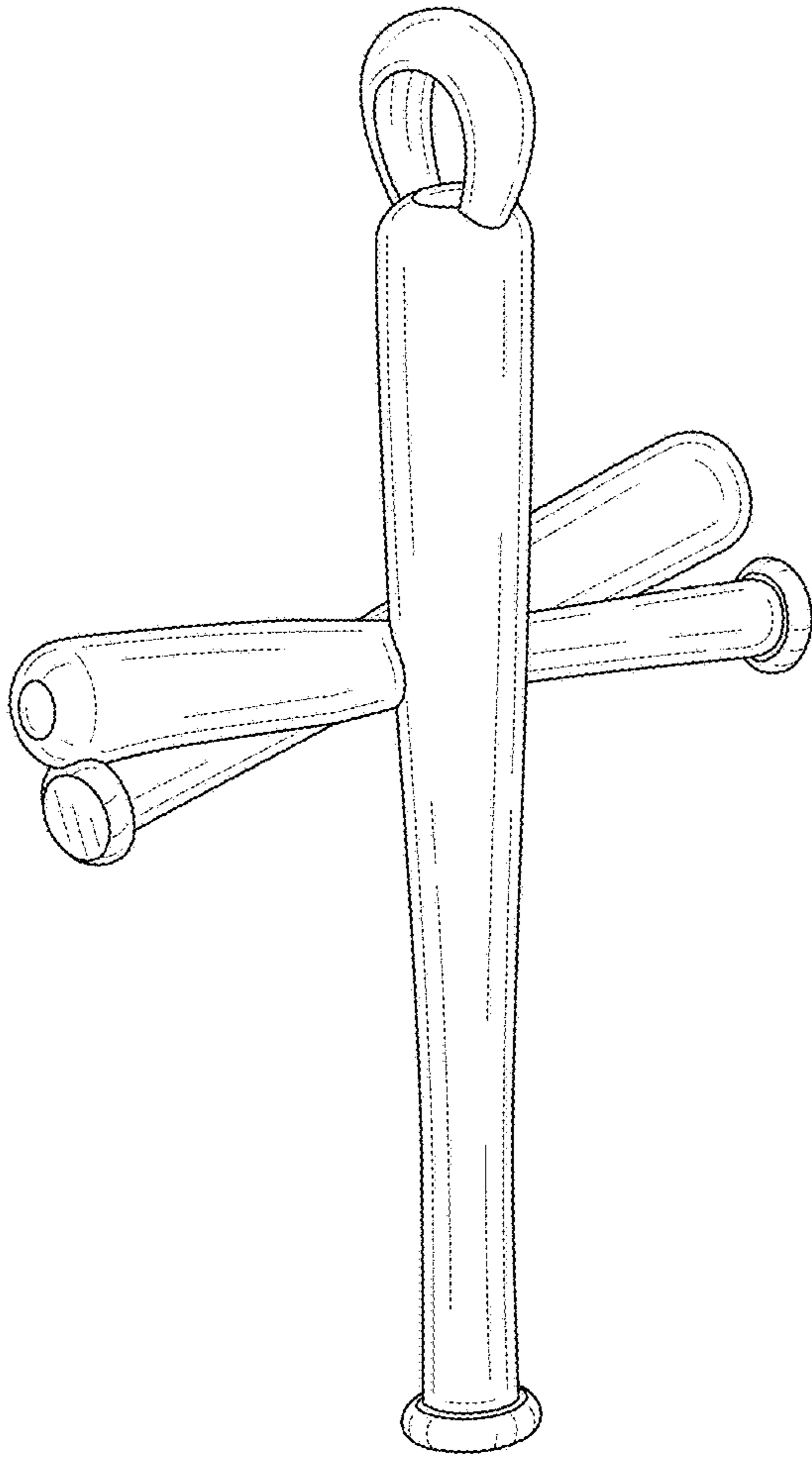


FIG. 1

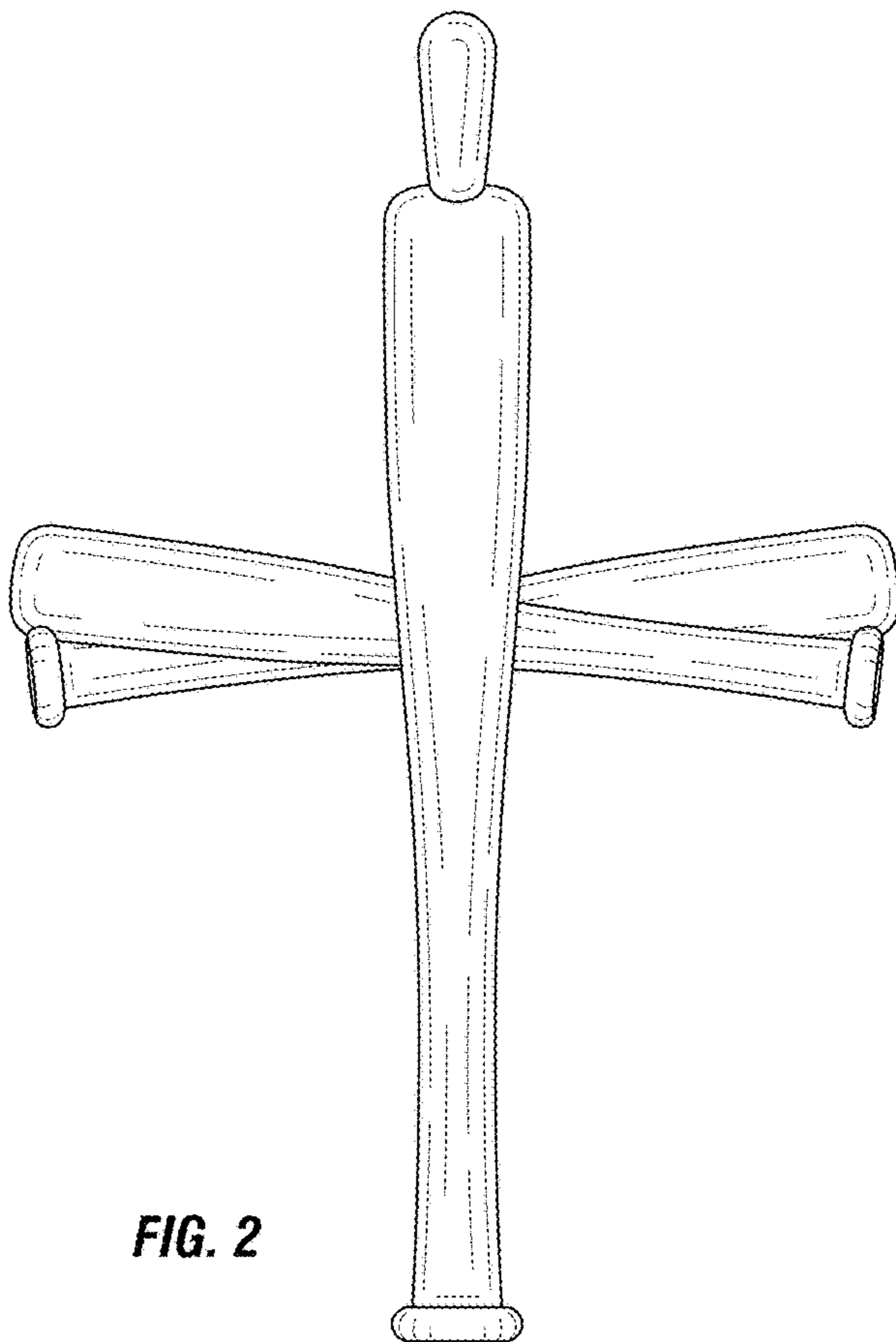


FIG. 2

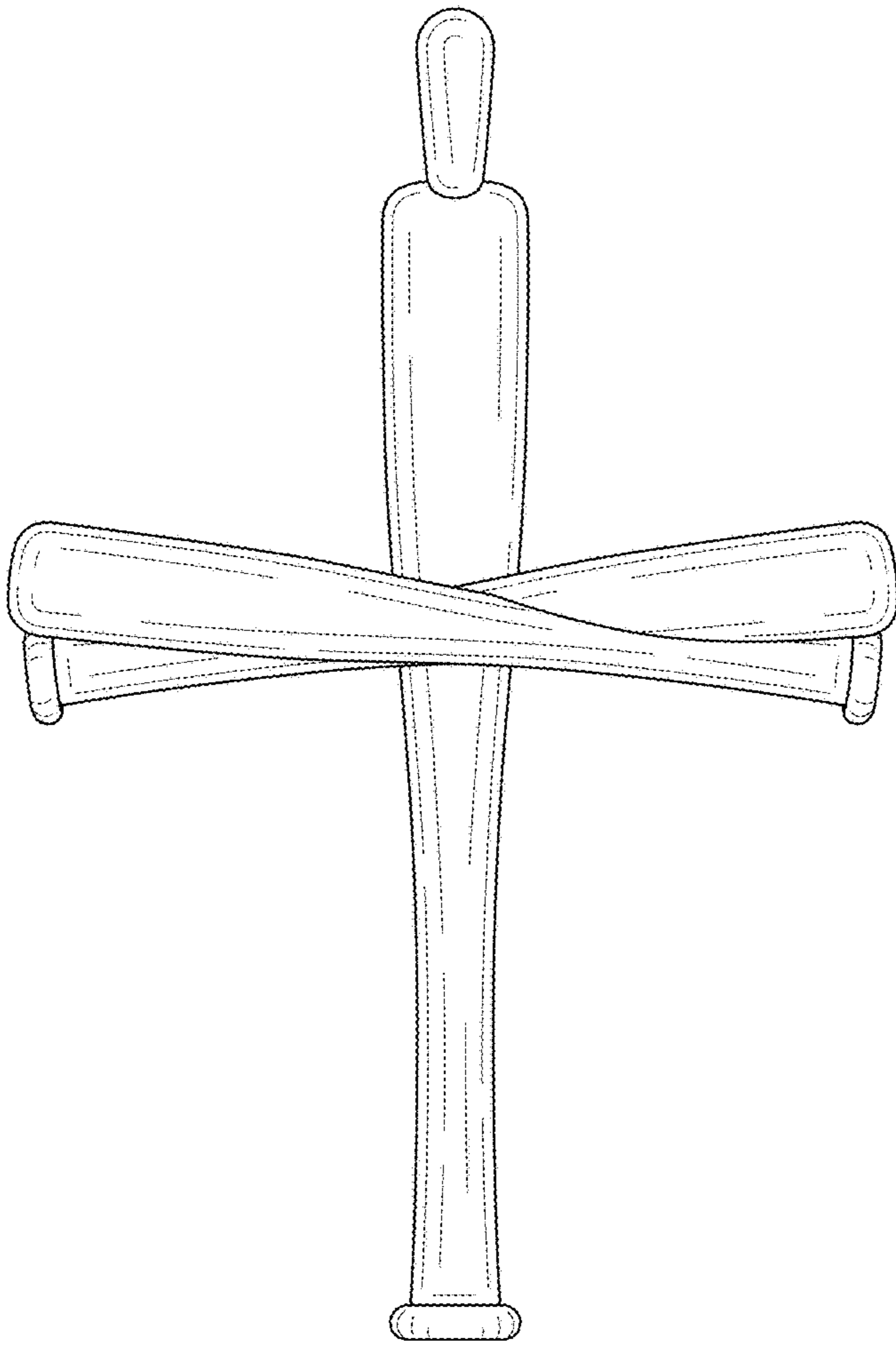


FIG. 3

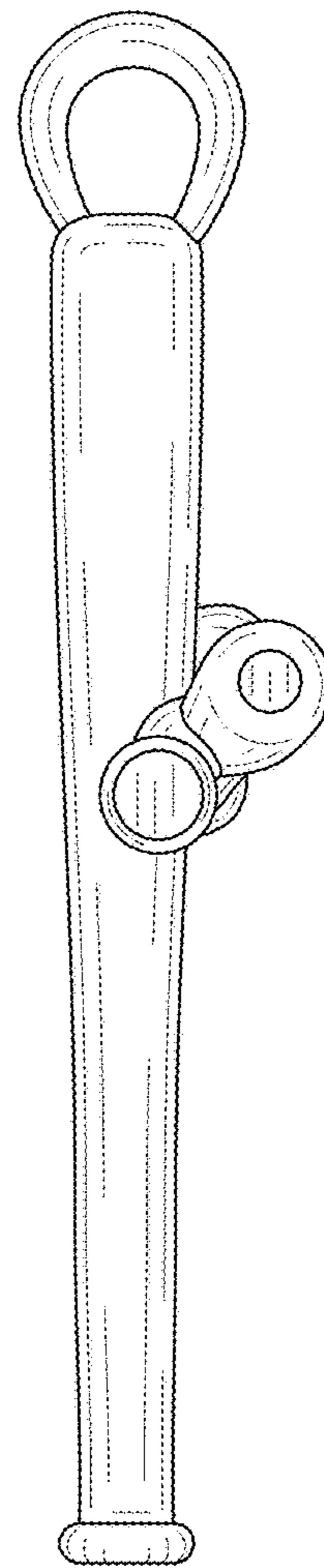


FIG. 4

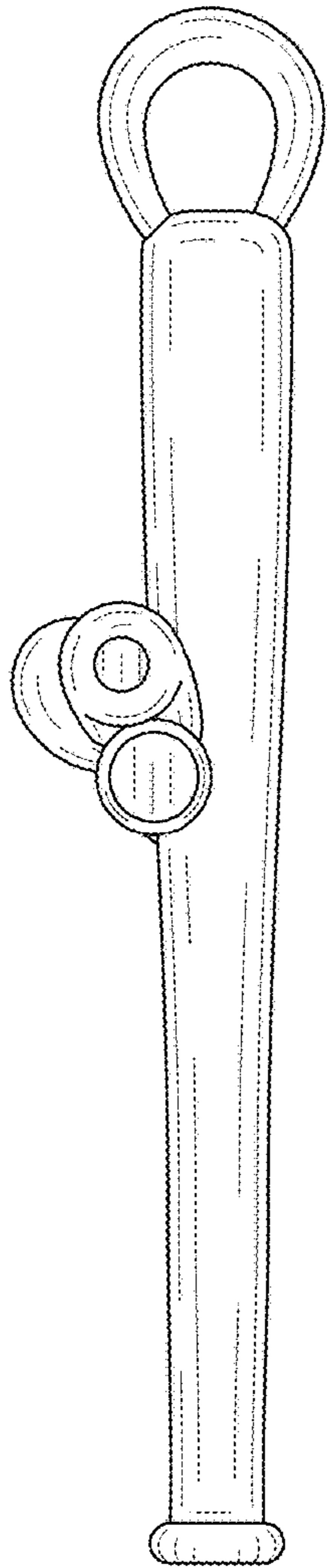


FIG. 5

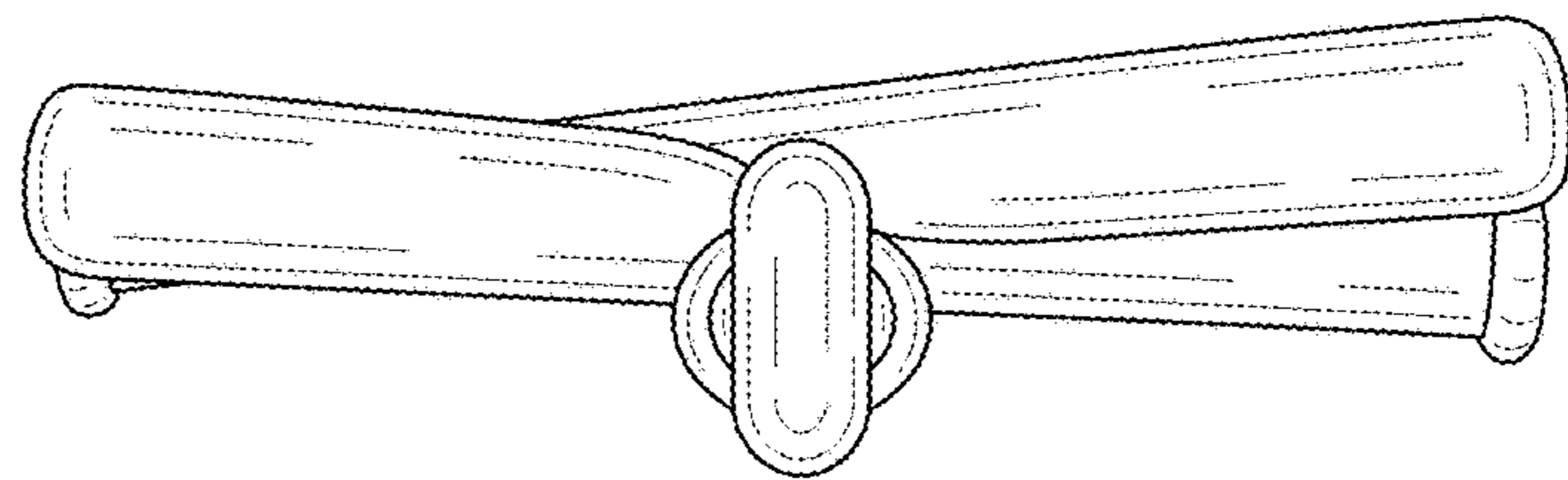


FIG. 6

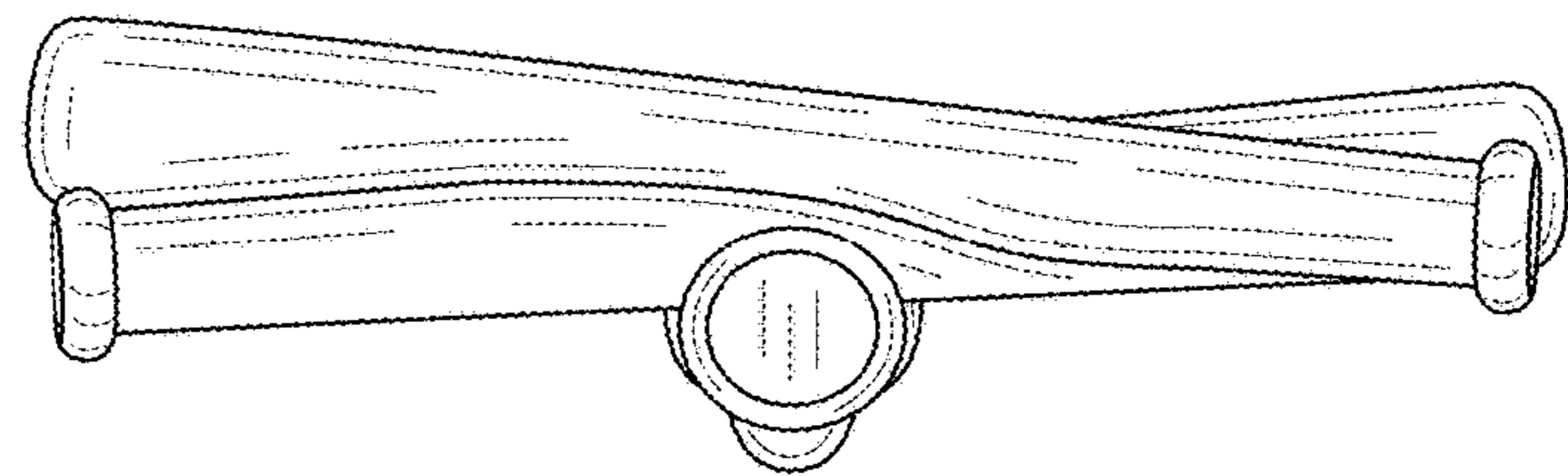


FIG. 7