



US00D786114S

(12) **United States Design Patent** (10) **Patent No.:** **US D786,114 S**  
**Procter** (45) **Date of Patent:** **\*\* May 9, 2017**

(54) **CONE FOR A RIVER BUOY**

D544,208 S \* 6/2007 Guy ..... D3/274  
D608,232 S \* 1/2010 Duran Neira ..... D10/107

(71) Applicant: **Sealite Pty Ltd**, Somerville, VIC (AU)

\* cited by examiner

(72) Inventor: **Chris Procter**, Somerville (AU)

*Primary Examiner* — George D Kirschbaum

(73) Assignee: **SEALITE PTY LTD** (AU)

(74) *Attorney, Agent, or Firm* — Polsinelli PC

(\*\*) Term: **15 Years**

(21) Appl. No.: **29/563,085**

(57) **CLAIM**

(22) Filed: **May 2, 2016**

The ornamental design for a cone for a river buoy, as shown and described.

**Related U.S. Application Data**

(62) Division of application No. 29/520,154, filed on Mar. 11, 2015, now Pat. No. Des. 767,428.

**DESCRIPTION**

(51) **LOC (10) Cl.** ..... **10-05**

(52) **U.S. Cl.**  
USPC ..... **D10/107**

(58) **Field of Classification Search**  
USPC ..... D10/107; D21/678, 803–804  
CPC ..... B63B 22/00  
See application file for complete search history.

FIG. 1 is a perspective view of the cone for the river buoy; FIG. 2 is a front view of the cone for the river buoy; FIG. 3 is a rear view of the cone for the river buoy; FIG. 4 is a left side view of the cone for the river buoy; FIG. 5 is a right side view of the cone for the river buoy; FIG. 6 is a top view of the cone for the river buoy; FIG. 7 is a bottom view of the cone for the river buoy; and, FIG. 8 is a perspective view of the cone assembled into the river buoy.

(56) **References Cited**

The broken lines showing in the figures are included for the purpose of illustrating portions of the cone for the river buoy that form no part of the claimed design.

**U.S. PATENT DOCUMENTS**

D348,914 S \* 7/1994 Shelton ..... D21/678  
5,520,486 A \* 5/1996 Van Wyck ..... B63C 11/26  
116/210

**1 Claim, 3 Drawing Sheets**

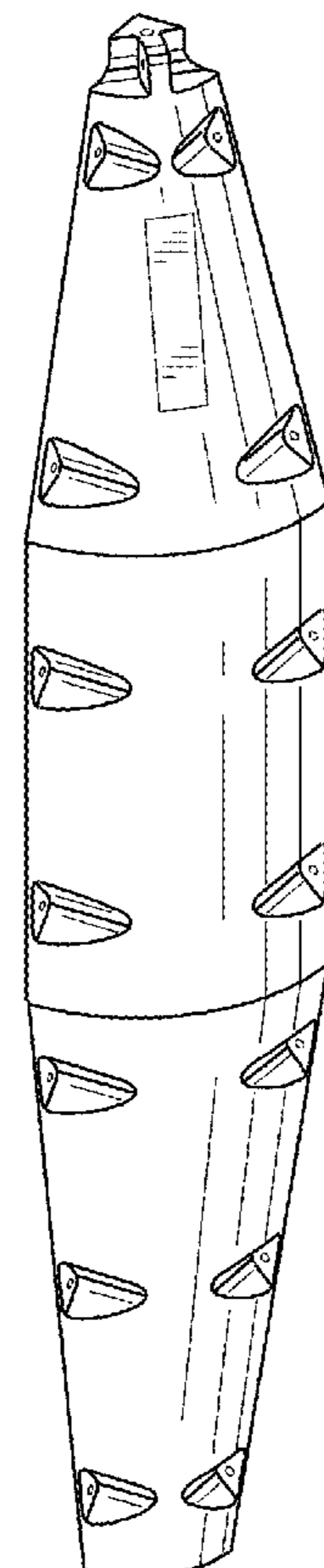


FIG. 1

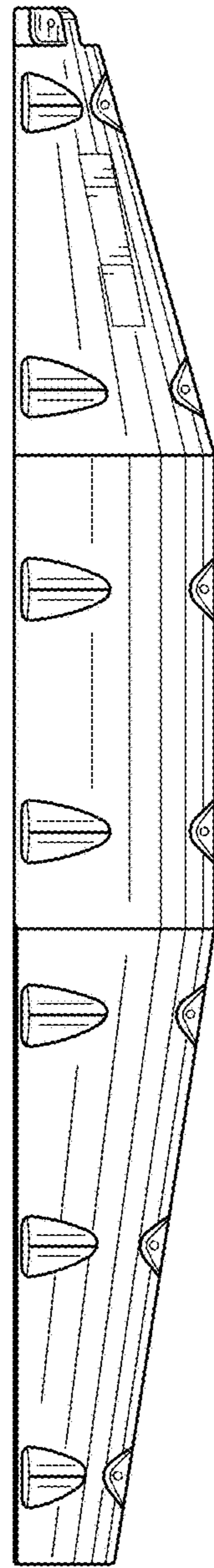
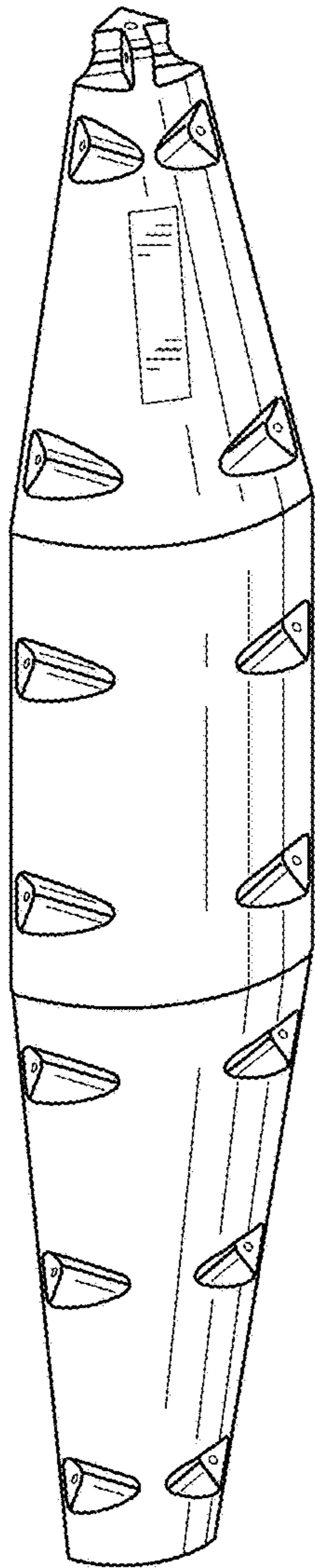


FIG. 2

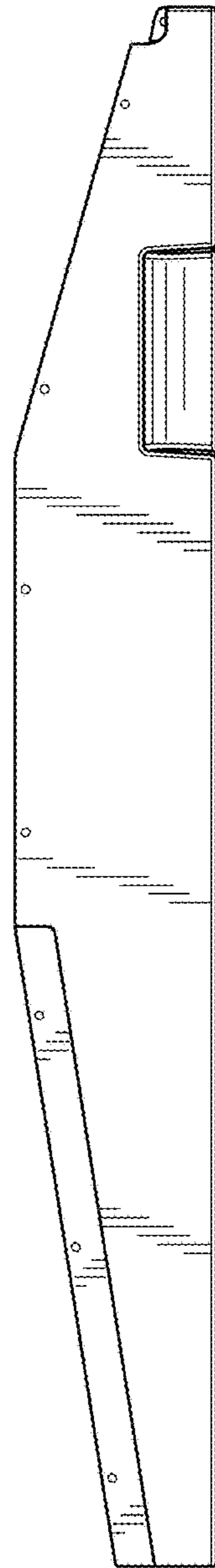


FIG. 3

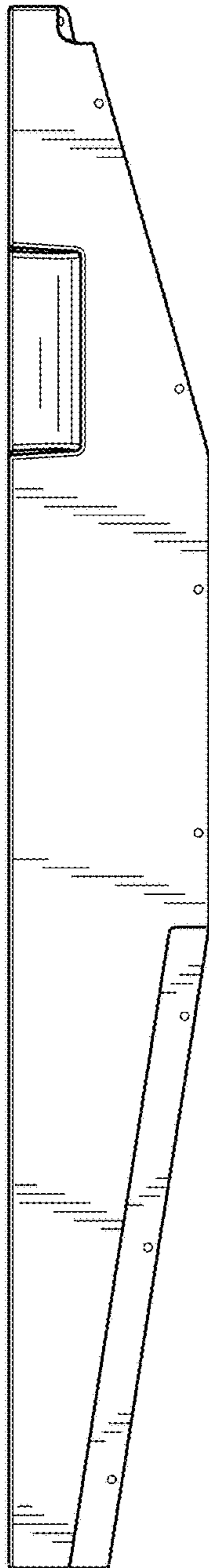


FIG. 4

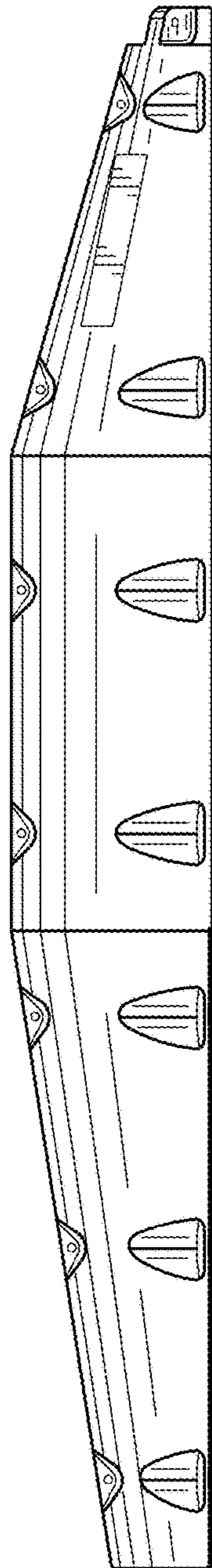


FIG. 5

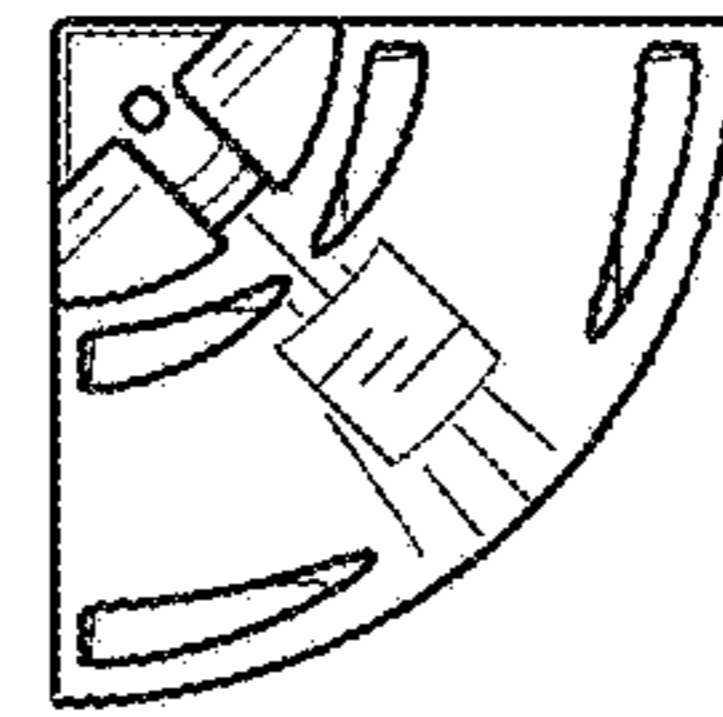


FIG. 6

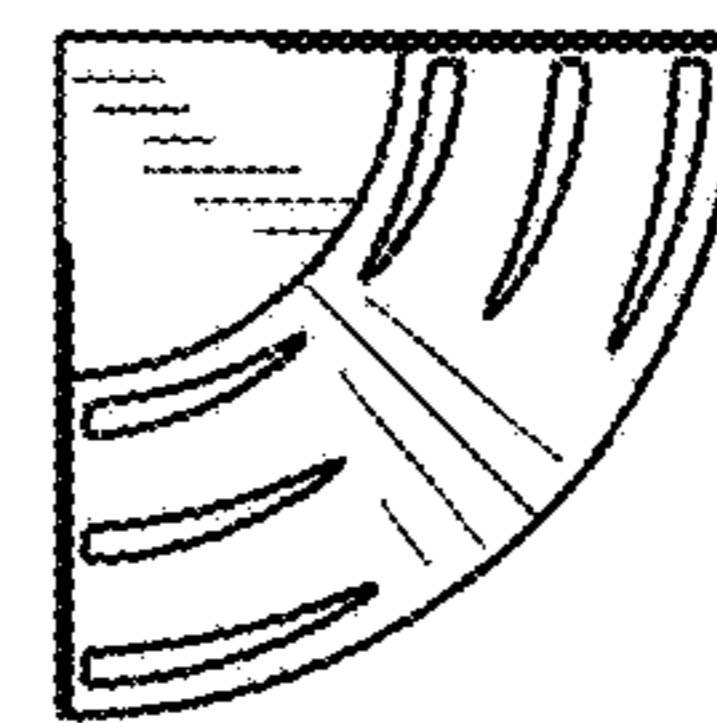


FIG. 7

FIG. 8

