



US00D786111S

(12) **United States Design Patent** (10) **Patent No.:** **US D786,111 S**
Peterson (45) **Date of Patent:** **** May 9, 2017**

- (54) **ALARM HOUSING** D412,296 S * 7/1999 Kawabata D10/106.2
6,133,843 A * 10/2000 Davidson G08B 7/062
174/481
- (71) Applicant: **Honeywell International Inc.,** D442,104 S * 5/2001 Costa D10/109.2
Morristown, NJ (US) D513,199 S * 12/2005 Costa D10/109.2
D516,445 S * 3/2006 DiPasquale D10/106.6
- (72) Inventor: **Rebecca J. Peterson, Sycamore, IL** D561,057 S * 2/2008 Jones D10/106.1
(US) D569,288 S * 5/2008 Raymond D10/104.1
D605,066 S * 12/2009 Raymond D10/106.91
- (73) Assignee: **HONEYWELL INTERNATIONAL** D764,957 S * 8/2016 Bhattacharya D10/104.1
INC., Morristown, NJ (US) 2004/0056773 A1 * 3/2004 Zimmerman G08B 5/38
340/815.4

(**) Term: **15 Years**

* cited by examiner

(21) Appl. No.: **29/561,732**

Primary Examiner — George D Kirschbaum

(22) Filed: **Apr. 19, 2016**

Assistant Examiner — Joseph Kukella

(51) **LOC (10) Cl.** **10-05**

(74) *Attorney, Agent, or Firm* — Husch Blackwell LLP

(52) **U.S. Cl.**
USPC **D10/106.1**

(57) **CLAIM**

(58) **Field of Classification Search**
USPC D10/46, 103, 104.1, 106.1, 106.2, 106.5,
D10/106.6, 109.1, 109.2, 116.1, 118,
D10/118.1, 118.2, 119.1, 121, 125, 126,
D10/132; D16/203
CPC G08B 17/06; G08B 17/10; G08B 17/103;
G08B 17/107
See application file for complete search history.

The ornamental design for an alarm housing, as shown and described.

DESCRIPTION

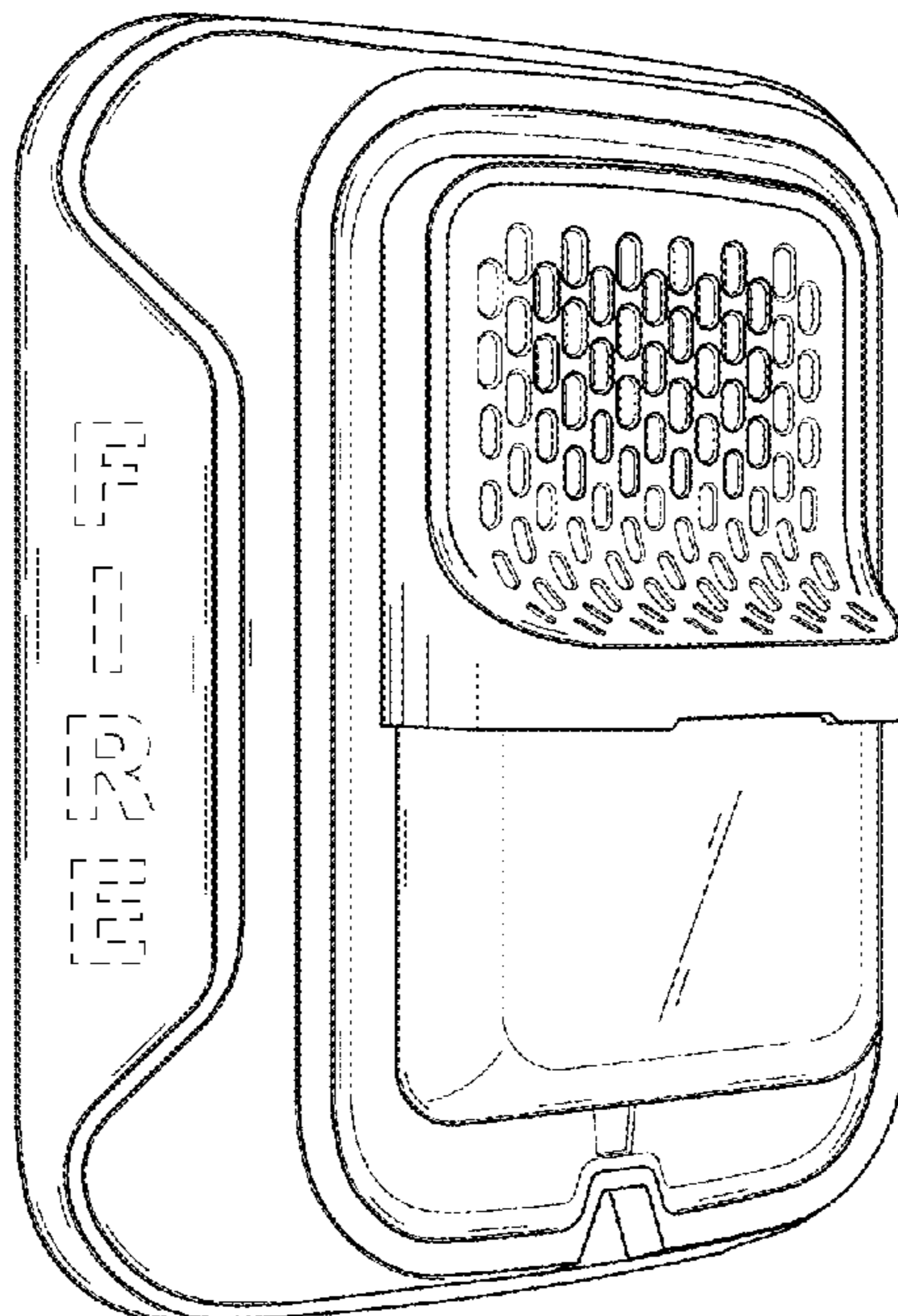
(56) **References Cited**

FIG. 1 is a perspective view of the alarm housing.
FIG. 2 is a front elevation view of thereof.
FIG. 3 is a first side elevation view thereof, the opposing side elevation view being a mirror image thereof.
FIG. 4 is a top plan view thereof; and,
FIG. 5 is a bottom plan view thereof.
In the drawings, the broken lines depict environmental subject matter only and form no part of the claimed design.
The back view of the alarm housing illustrated in FIGS. 1-5 is hereby disclaimed and forms no part of the claimed design.

U.S. PATENT DOCUMENTS

- D339,079 S * 9/1993 Behlke D10/106.6
- D374,635 S * 10/1996 Hur D10/109.2
- 5,914,665 A * 6/1999 Thorp G08B 7/062
174/488

1 Claim, 3 Drawing Sheets



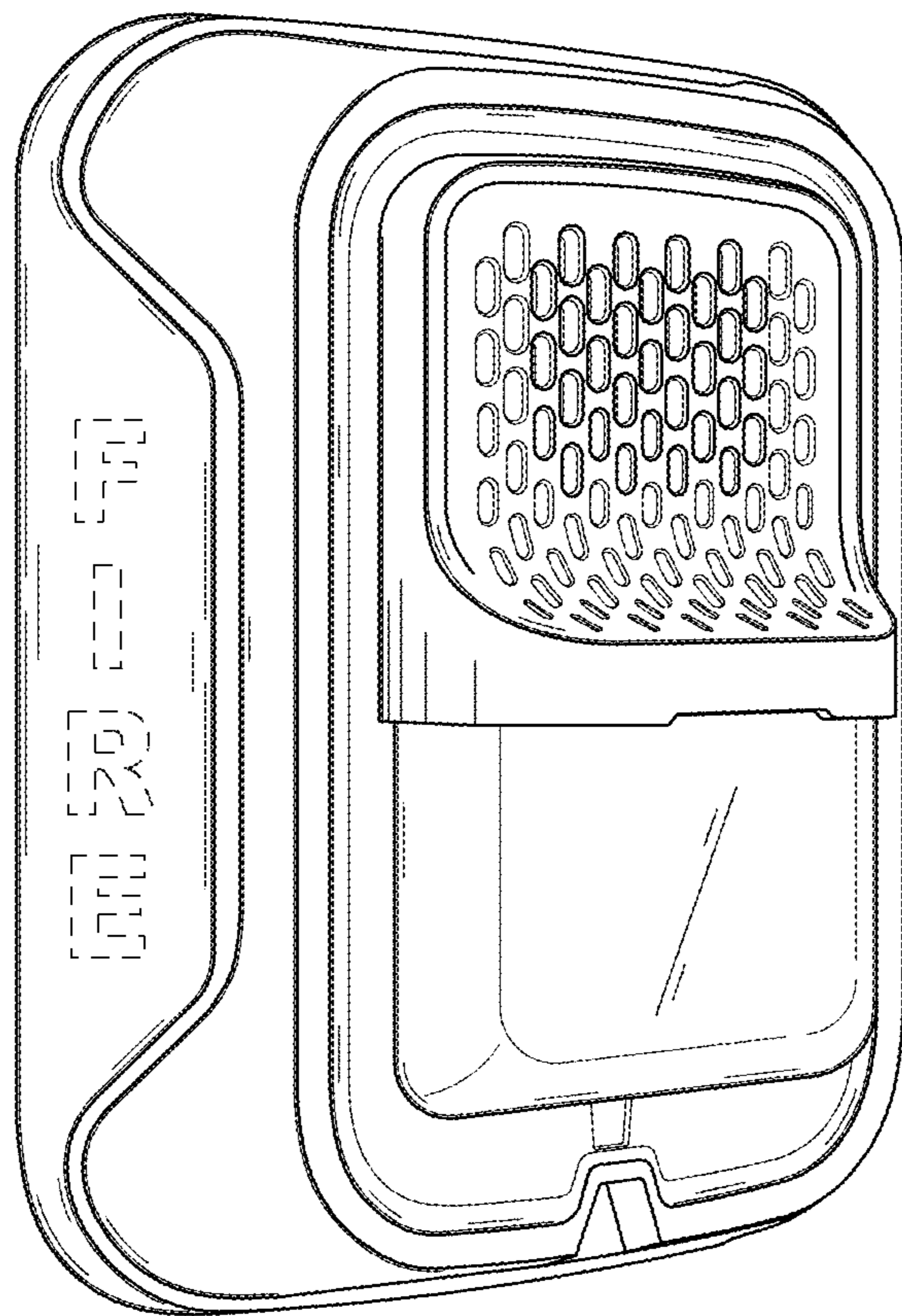


FIG. 1

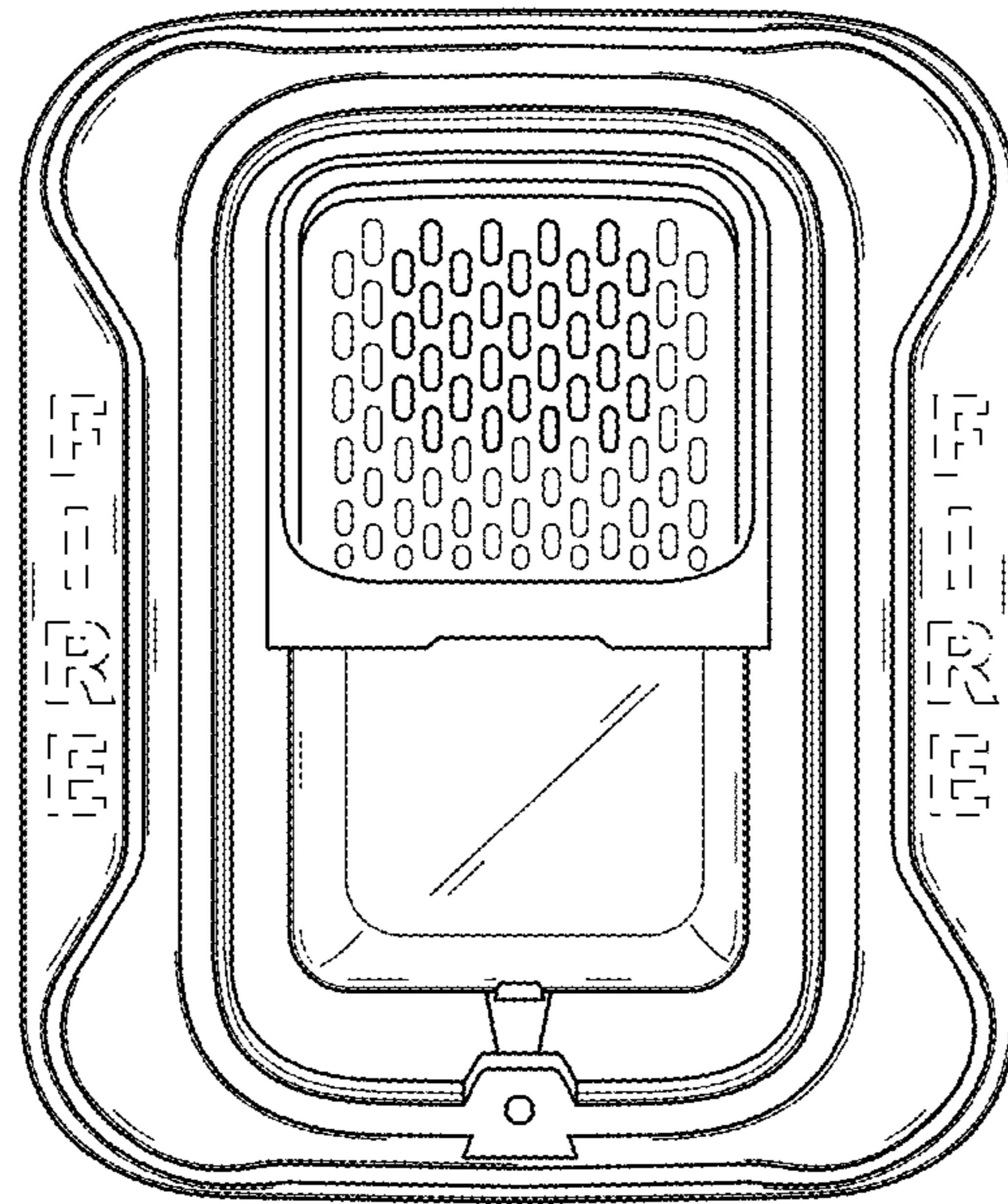


FIG. 2

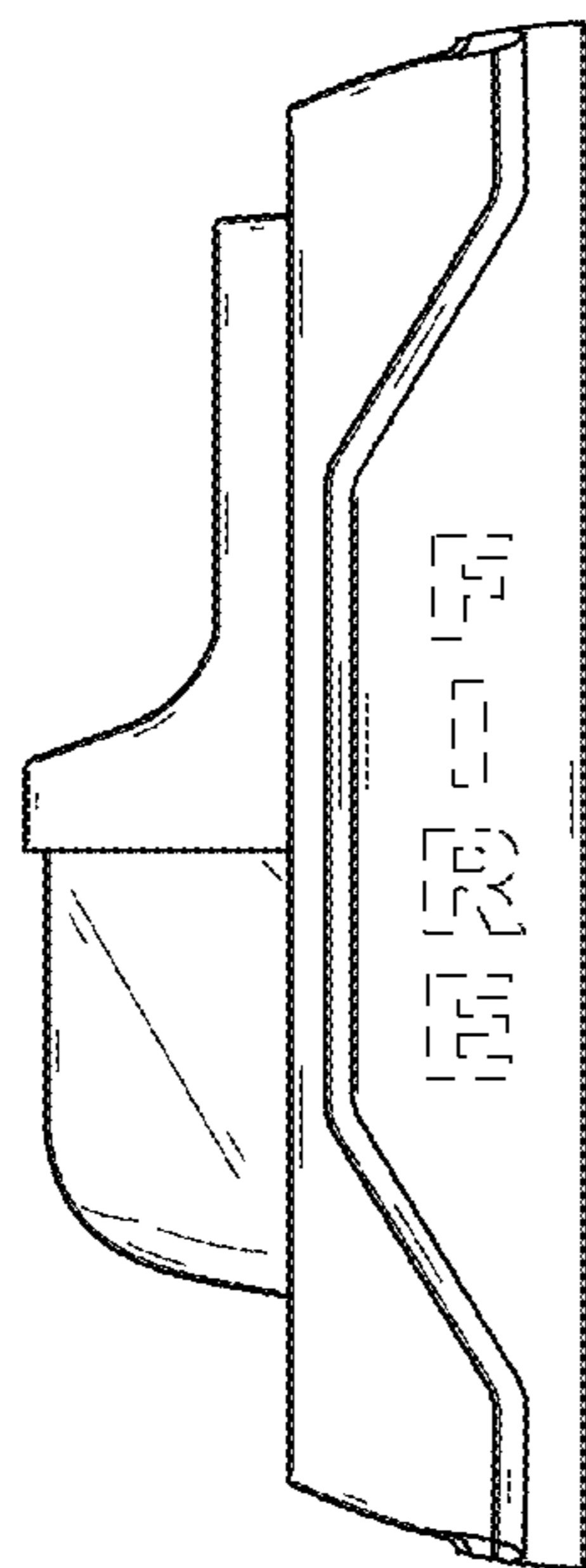


FIG. 3

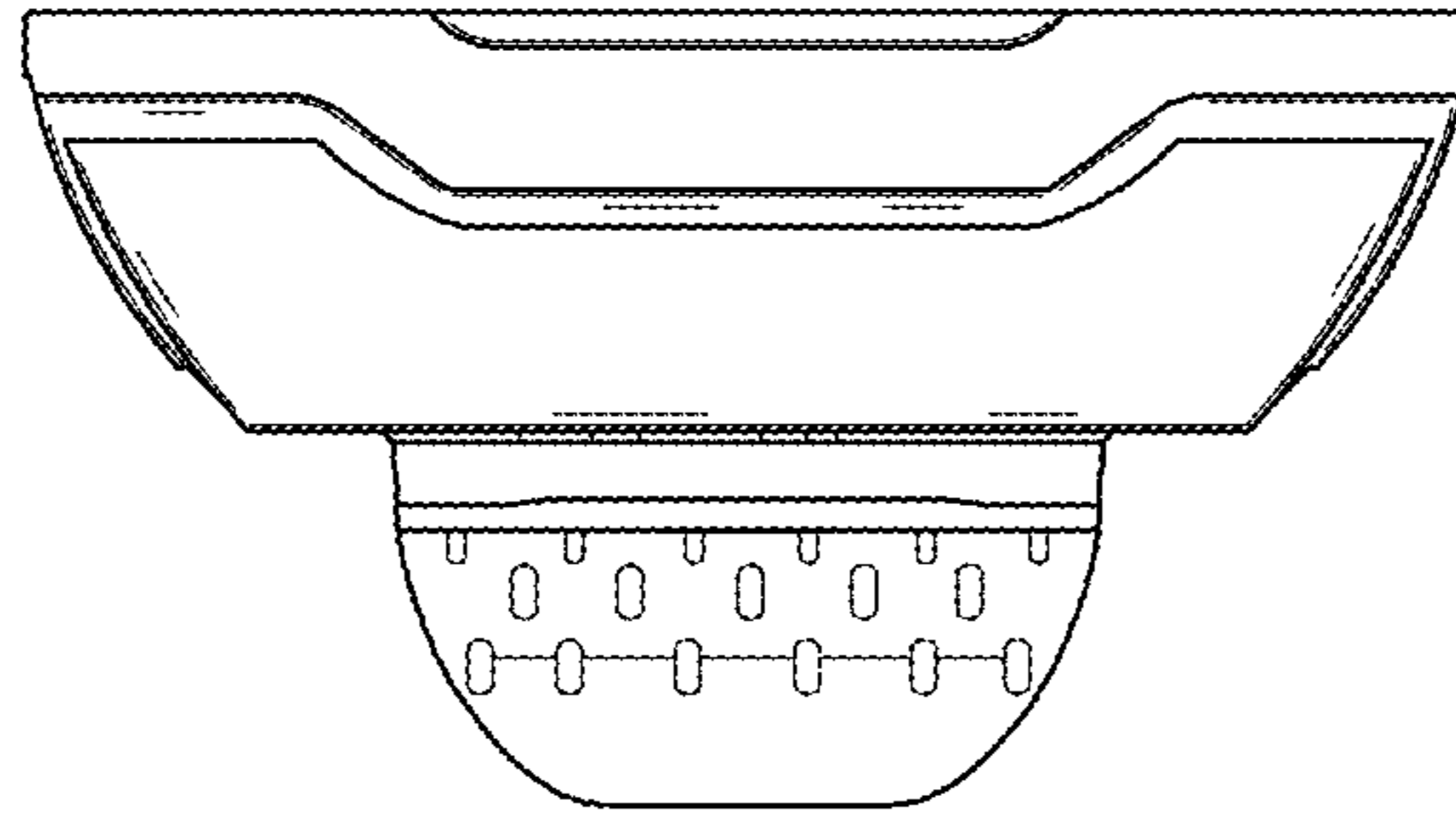


FIG. 4

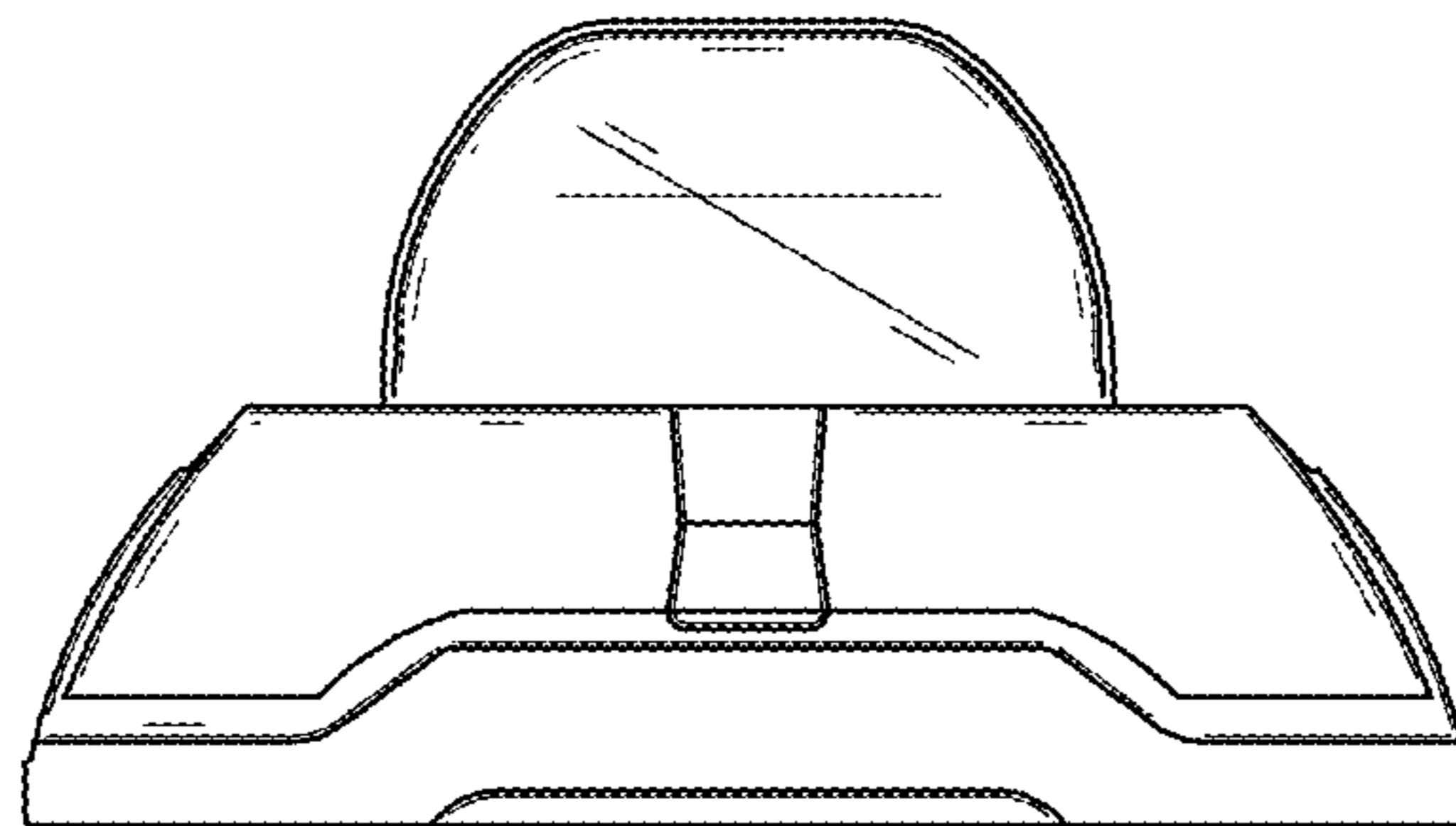


FIG. 5