



US00D786109S

(12) **United States Design Patent**
Hasebe

(10) **Patent No.:** **US D786,109 S**

(45) **Date of Patent:** **** May 9, 2017**

(54) **EMISSION ANALYSIS MACHINE**

21/6445; G01N 21/6447; G01N 21/645;
G01N 21/6452; G01N 21/6454; G01N
21/6456

(71) Applicant: **SHIMADZU CORPORATION**, Kyoto
(JP)

See application file for complete search history.

(72) Inventor: **Shinya Hasebe**, Osaka (JP)

(56) **References Cited**

(73) Assignee: **SHIMADZU CORPORATION**, Kyoto
(JP)

U.S. PATENT DOCUMENTS

(**) Term: **15 Years**

D747,227 S * 1/2016 Fujiwara D10/81
9,417,231 B2 * 8/2016 Sakamoto G01N 21/21

(21) Appl. No.: **29/543,740**

* cited by examiner

Primary Examiner — Antoine D Davis

(22) Filed: **Oct. 28, 2015**

(74) *Attorney, Agent, or Firm* — Jianq Chyun IP Office

(30) **Foreign Application Priority Data**

(57) **CLAIM**

The ornamental design for an emission analysis machine, as shown and described.

Aug. 3, 2015 (JP) 2015-017263

DESCRIPTION

(51) **LOC (10) Cl.** **10-04**

FIG. 1 is a perspective view of an emission analysis machine showing my new design;

(52) **U.S. Cl.**

USPC **D10/81**

FIG. 2 is a front view thereof;

(58) **Field of Classification Search**

USPC D10/46, 81

FIG. 3 is a rear view thereof;

CPC G01N 21/62; G01N 21/63; G01N 21/631;

FIG. 4 is a left side view thereof;

G01N 21/636; G01N 21/64; G01N

FIG. 5 is a right side view thereof;

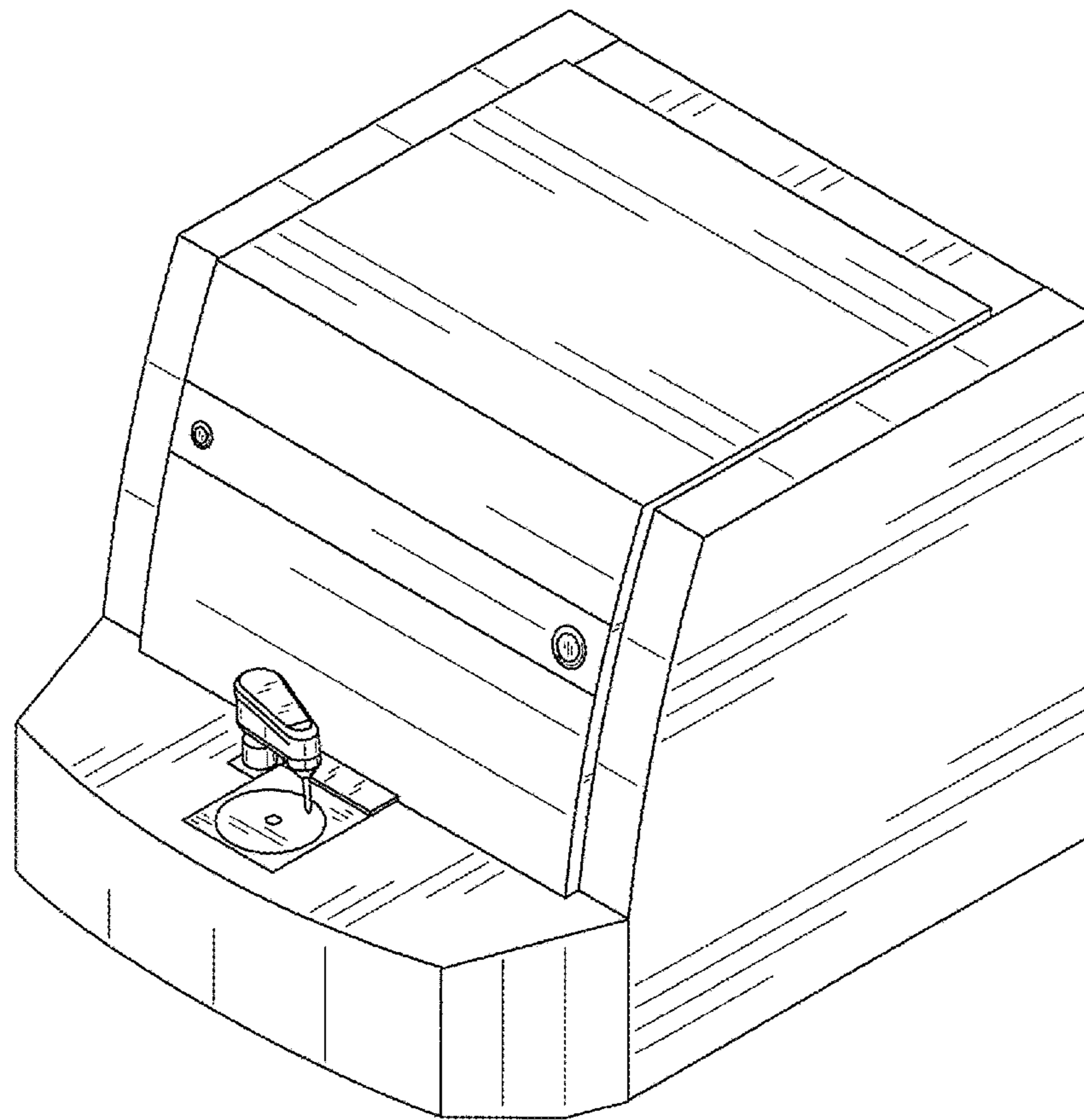
21/6402; G01N 21/6404; G01N 21/6408;

FIG. 6 is a top view thereof; and,

G01N 21/6428; G01N 21/643; G01N

FIG. 7 is a bottom view thereof.

1 Claim, 7 Drawing Sheets



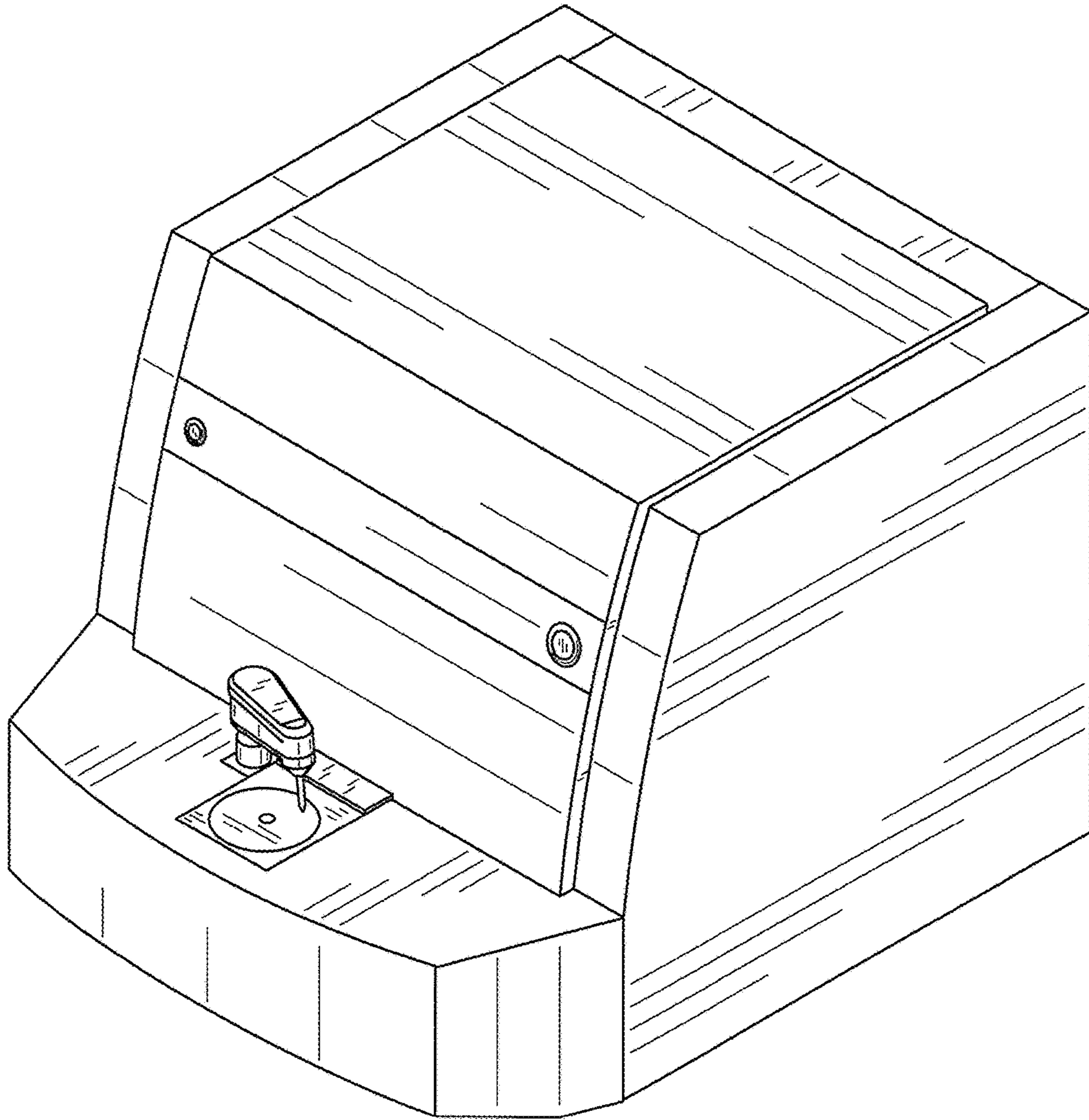


FIG. 1

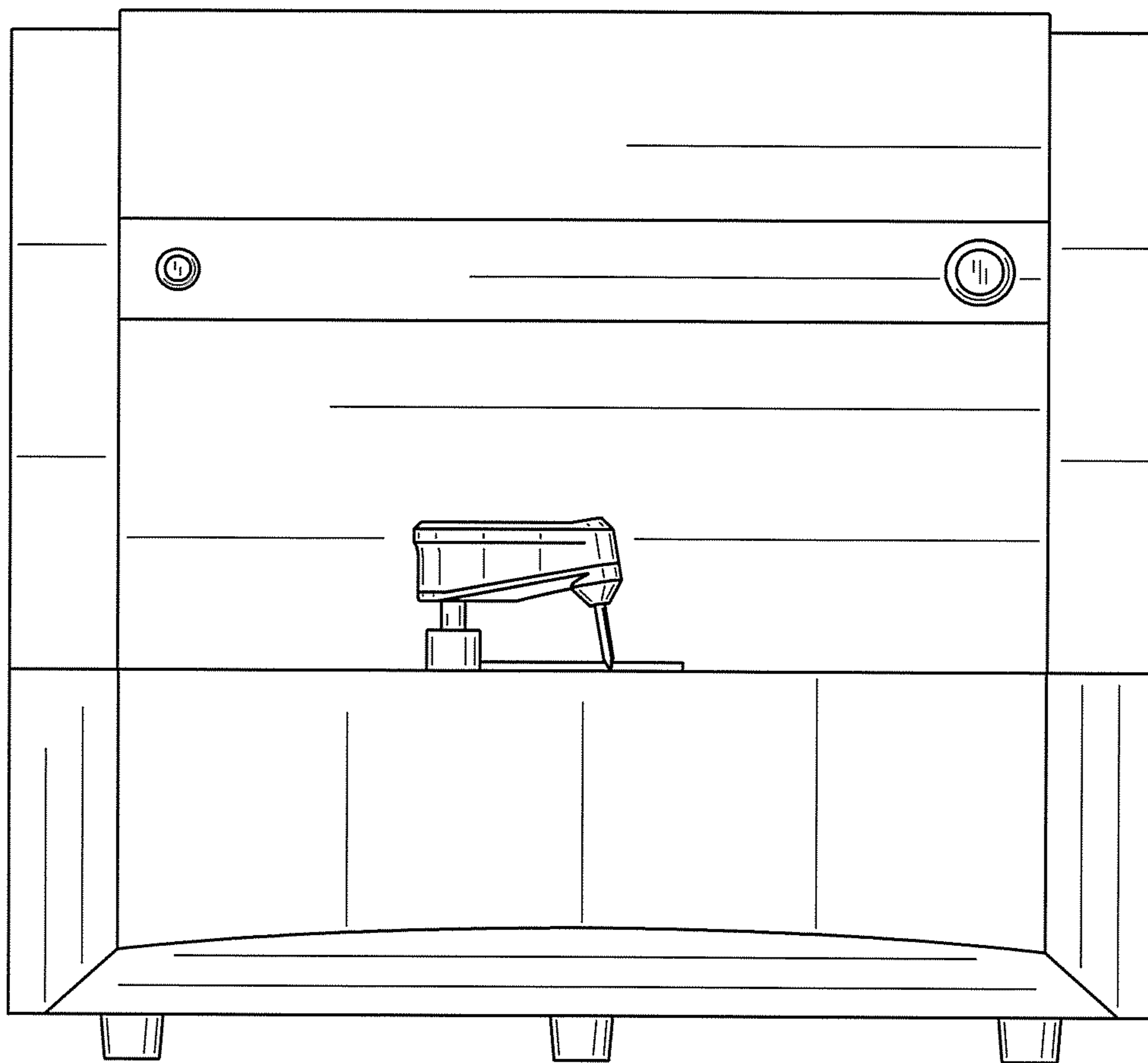


FIG. 2

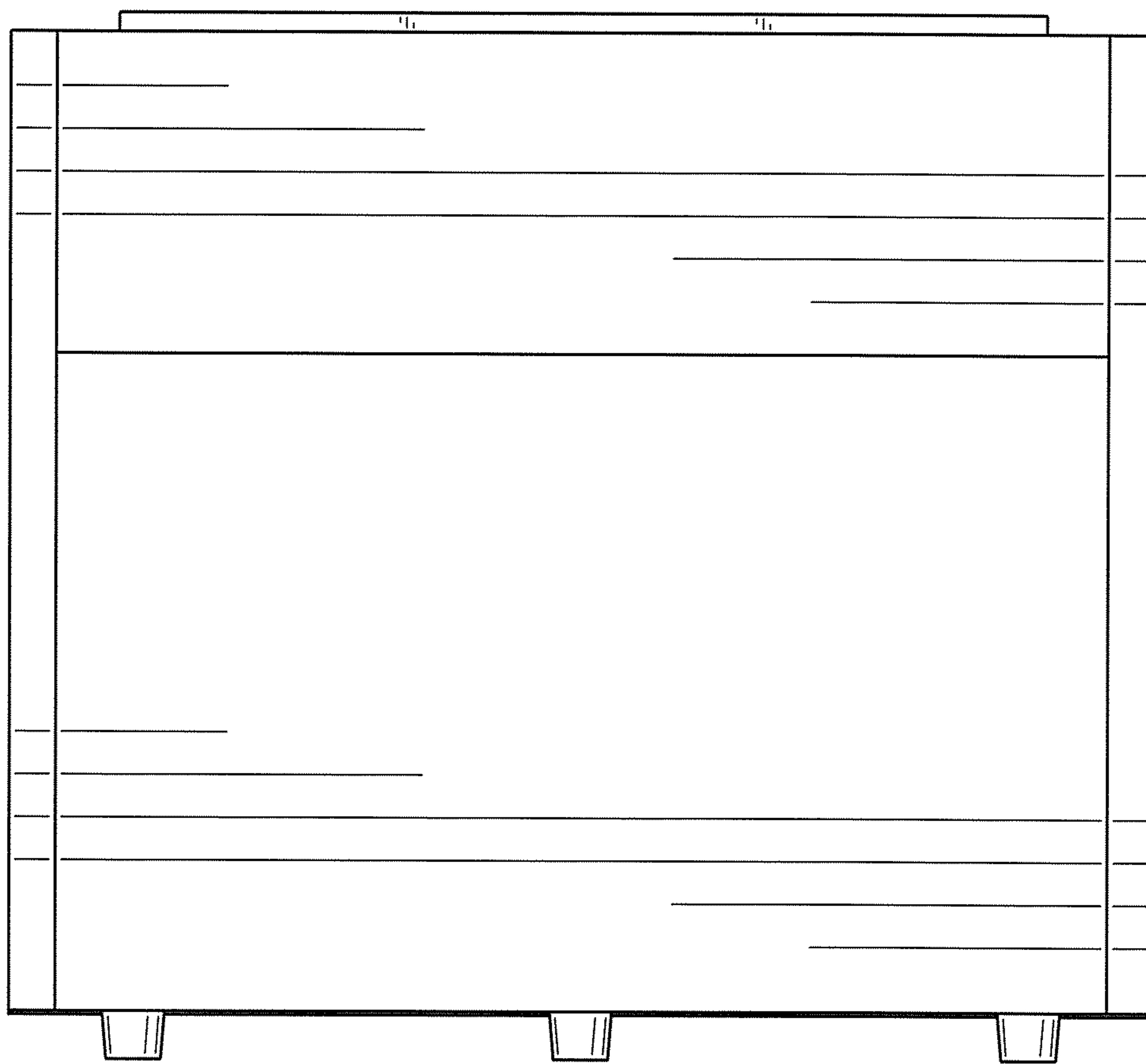


FIG. 3

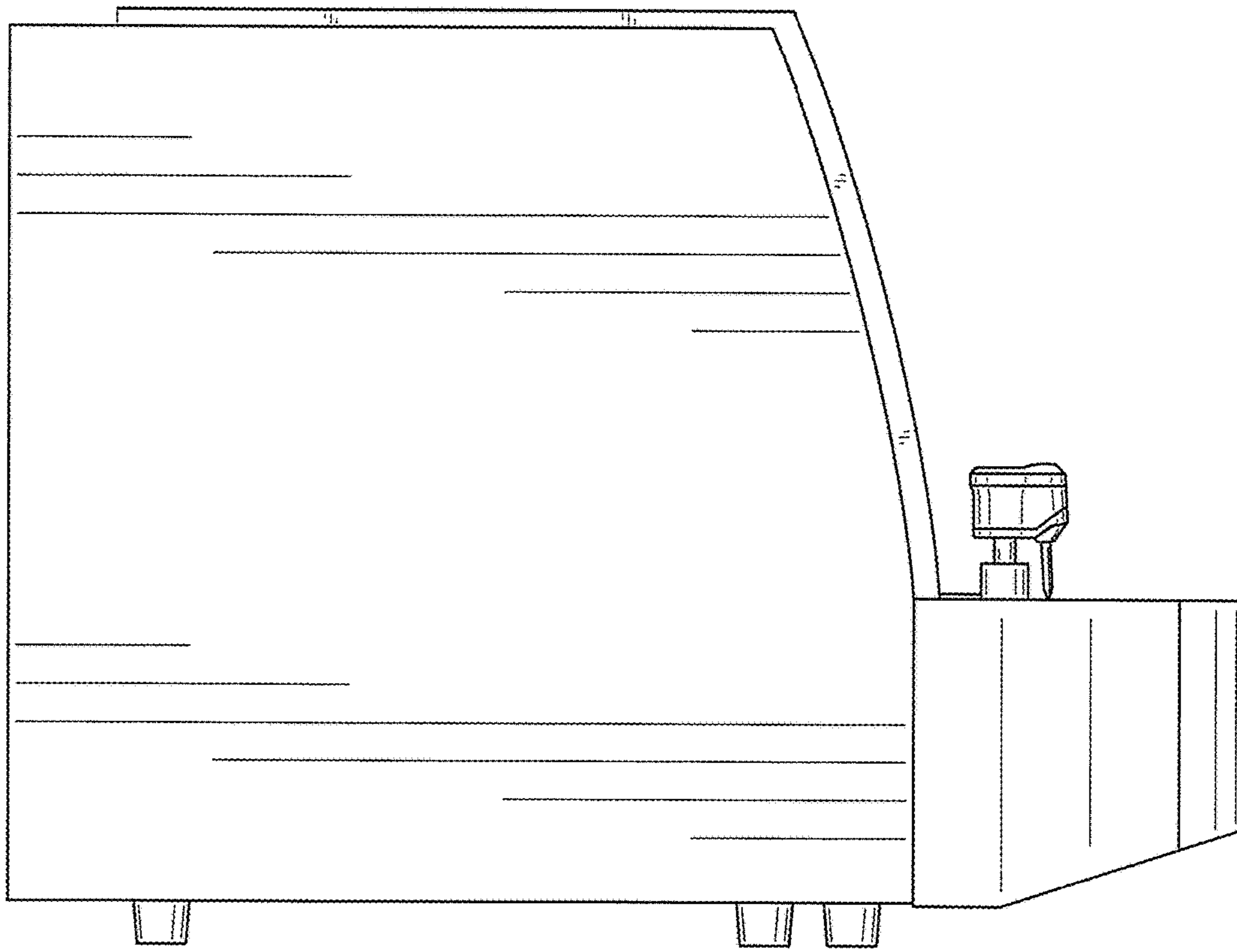


FIG. 4

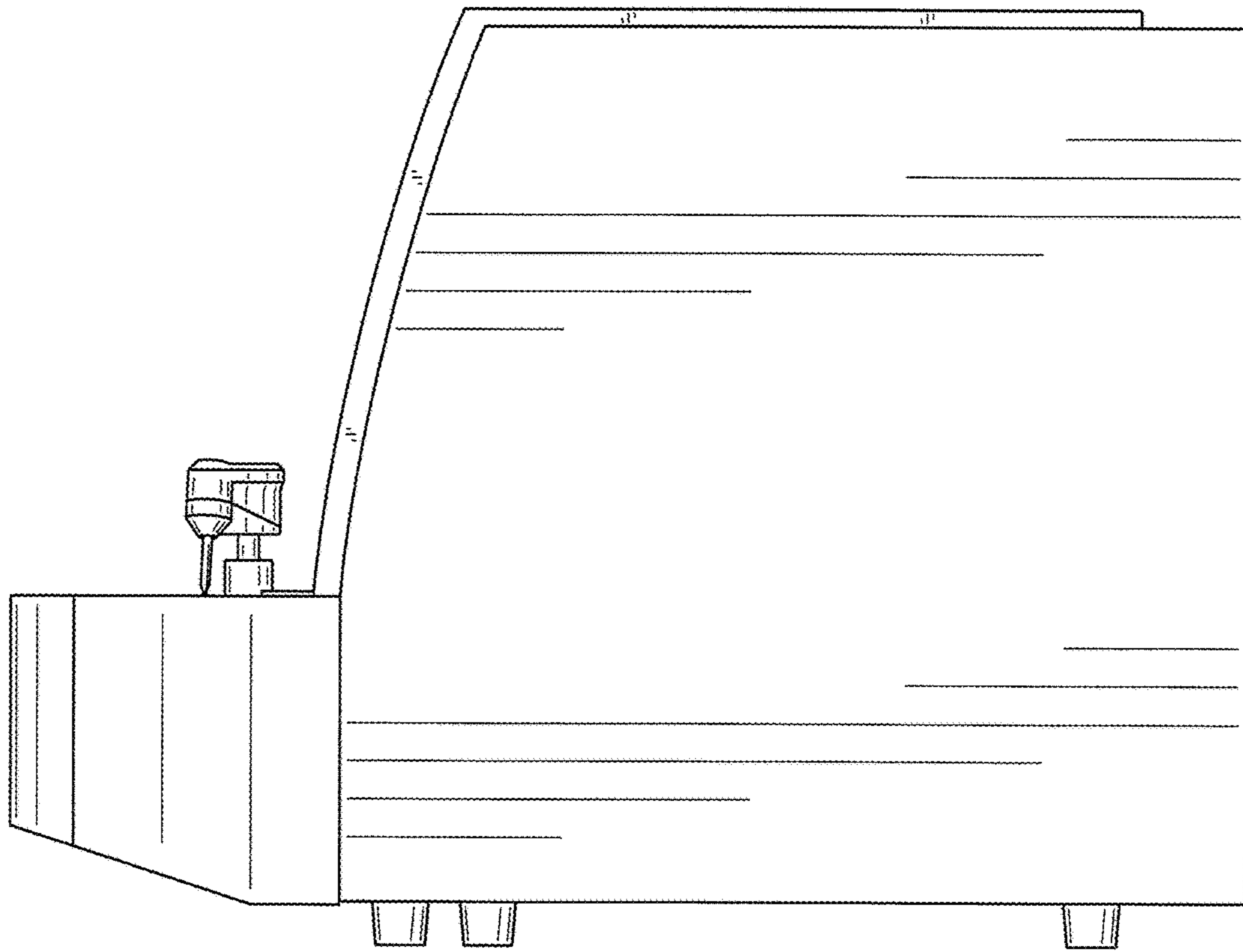


FIG. 5

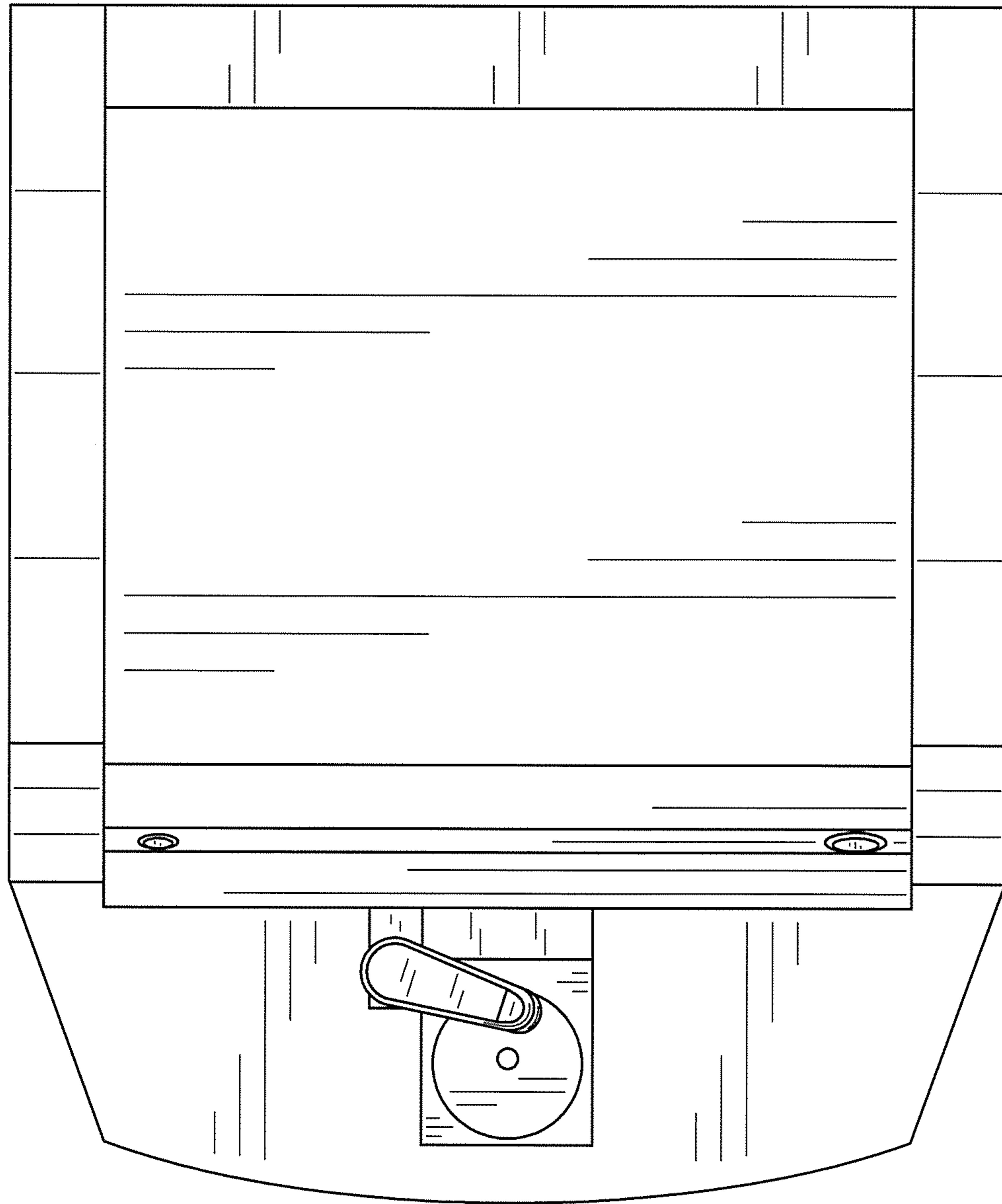


FIG. 6

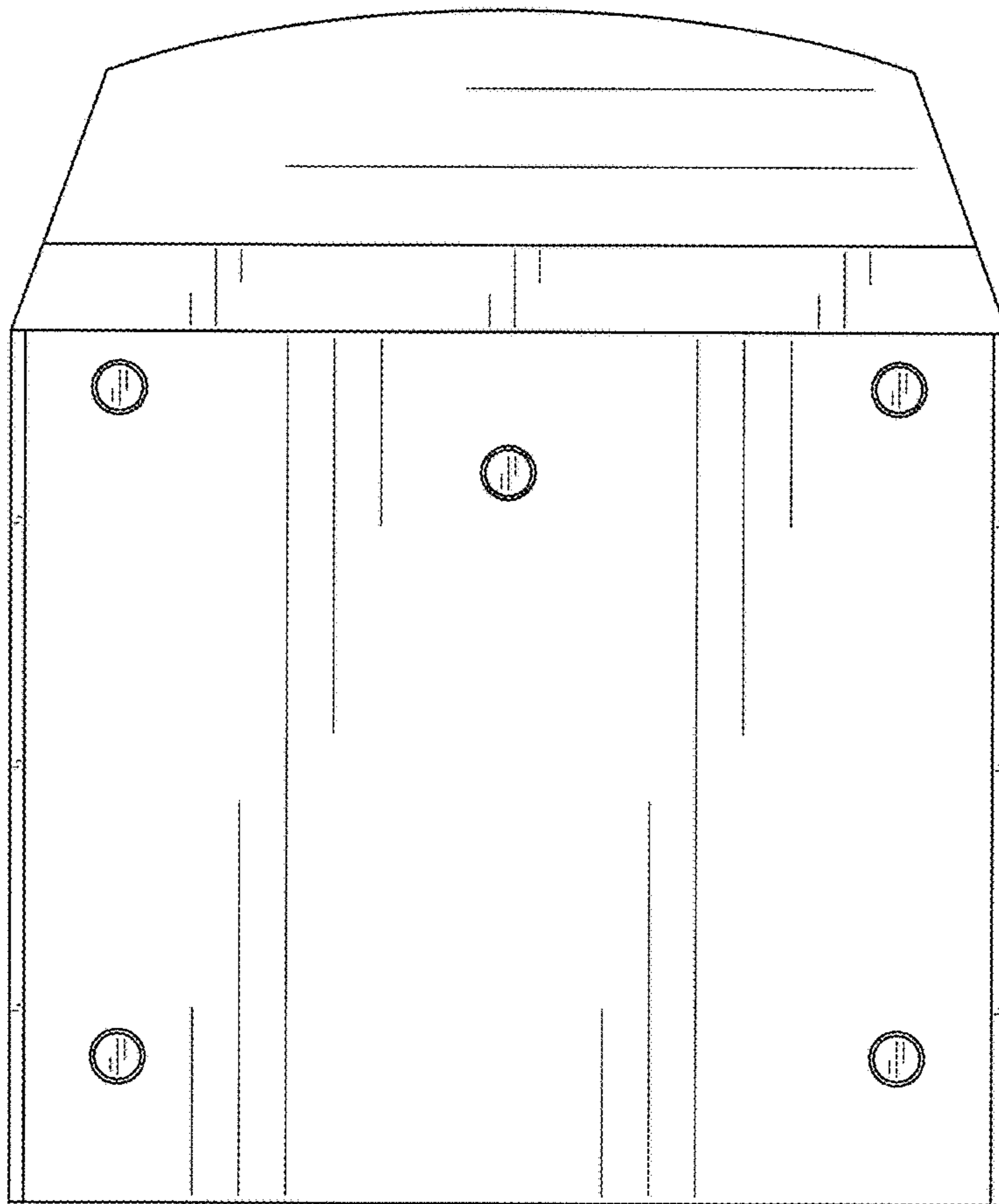


FIG. 7