



US00D786108S

(12) **United States Design Patent**
Campbell

(10) **Patent No.:** **US D786,108 S**
(45) **Date of Patent:** **** May 9, 2017**

(54) **BROWSER PROBE ASSEMBLY**

(71) Applicant: **TEKTRONIX, INC.**, Beaverton, OR
(US)

(72) Inventor: **Julie A. Campbell**, Beaverton, OR
(US)

(73) Assignee: **TEKTRONIX, INC.**, Beaverton, OR
(US)

(**) Term: **15 Years**

(21) Appl. No.: **29/551,326**

(22) Filed: **Jan. 12, 2016**

(51) **LOC (10) Cl.** **10-04**

(52) **U.S. Cl.**
USPC **D10/80**

(58) **Field of Classification Search**
USPC **D10/80**

(Continued)

(56) **References Cited**

U.S. PATENT DOCUMENTS

D474,415 S * 5/2003 Kirsch D10/80

* cited by examiner

Primary Examiner — Antoine D Davis

(74) *Attorney, Agent, or Firm* — Michael A. Nelson;
Marger Johnson

(57) **CLAIM**

The ornamental design for a browser probe assembly, as shown and described.

DESCRIPTION

FIG. 1 is a perspective view of a first aspect of the browser probe assembly, namely a browser probe.

FIG. 2 is a front view of the aspect of the browser probe assembly of FIG. 1.

FIG. 3 is a left side view of the aspect of the browser probe assembly of FIG. 1.

FIG. 4 is a right side view of the aspect of the browser probe assembly of FIG. 1.

FIG. 5 is a top view of the aspect of the browser probe assembly of FIG. 1.

FIG. 6 is a bottom view of the aspect of the browser probe assembly of FIG. 1.

FIG. 7 is a rear view of the aspect of the browser probe assembly of FIG. 1.

FIG. 8 is a perspective view of a second aspect of the browser probe assembly, namely a wand.

FIG. 9 is a front view of the aspect of the browser probe assembly of FIG. 8.

FIG. 10 is a left side view of the aspect of the browser probe assembly of FIG. 8.

FIG. 11 is a right side view of the aspect of the browser probe assembly of FIG. 8.

FIG. 12 is a top view of the aspect of the browser probe assembly of FIG. 8.

FIG. 13 is a bottom view of the aspect of the browser probe assembly of FIG. 8.

FIG. 14 is a rear view of the aspect of the browser probe assembly of FIG. 8.

FIG. 15 is a perspective view of a third aspect of the browser probe assembly, namely an assembly of the browser probe of FIG. 1 coupled to the wand of FIG. 8.

FIG. 16 is a front view of the aspect of the browser probe assembly of FIG. 15.

FIG. 17 is a left side view of the aspect of the browser probe assembly of FIG. 15.

FIG. 18 is a right side view of the aspect of the browser probe assembly of FIG. 15.

FIG. 19 is a top view of the aspect of the browser probe assembly of FIG. 15.

FIG. 20 is a bottom view of the aspect of the browser probe assembly of FIG. 15.

FIG. 21 is a rear view of the aspect of the browser probe assembly of FIG. 15.

FIG. 22 is a perspective view of a fourth aspect of the browser probe assembly, namely an alternative wand.

FIG. 23 is a front view of the aspect of the browser probe assembly of FIG. 22.

(Continued)

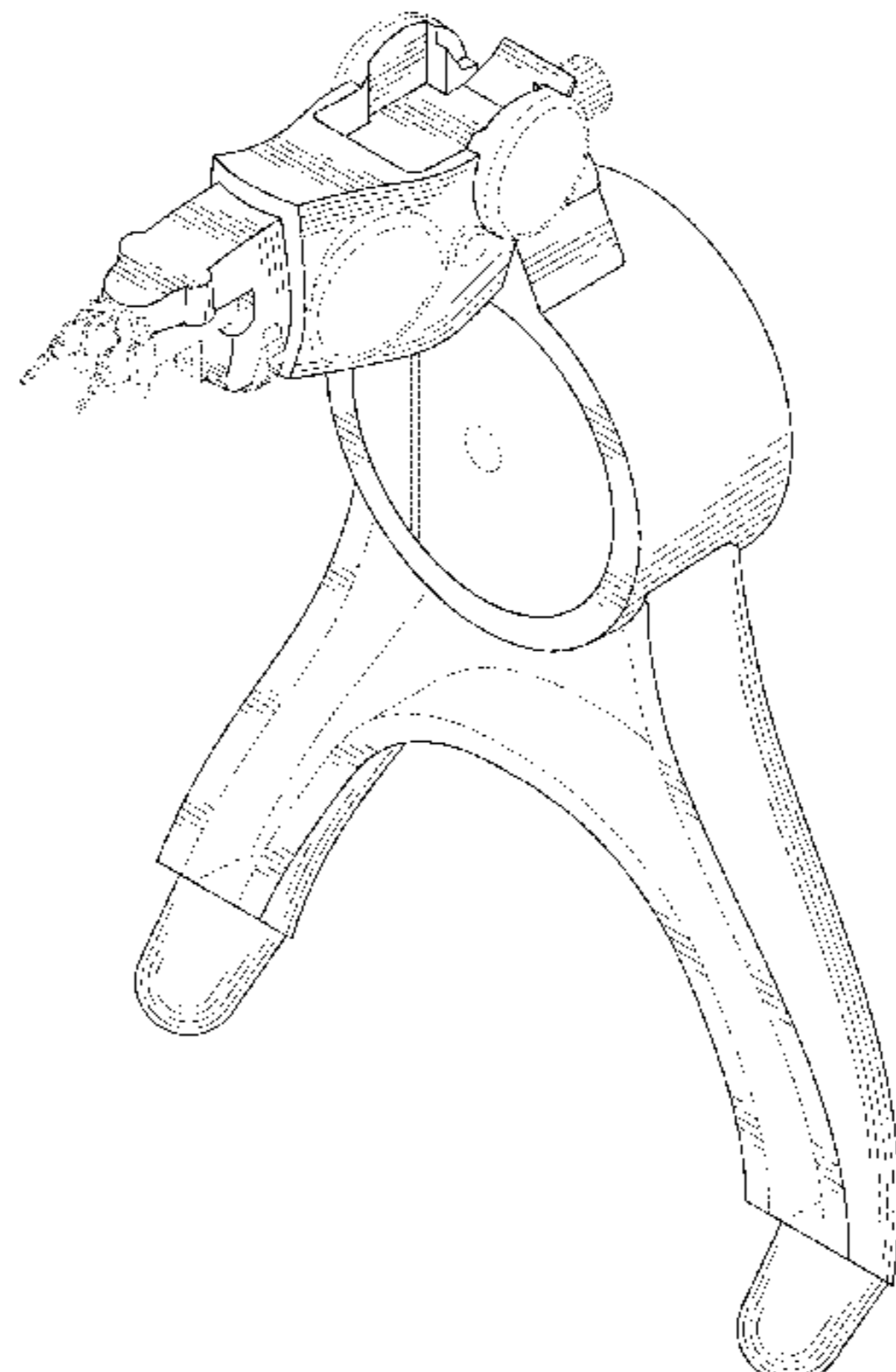


FIG. 24 is a left side view of the aspect of the browser probe assembly of FIG. 22.

FIG. 25 is a right side view of the aspect of the browser probe assembly of FIG. 22.

FIG. 26 is a top view of the aspect of the browser probe assembly of FIG. 22.

FIG. 27 is a bottom view of the aspect of the browser probe assembly of FIG. 22.

FIG. 28 is a rear view of the aspect of the browser probe assembly of FIG. 22.

FIG. 29 is a perspective view of a fifth aspect of the browser probe assembly, namely an assembly of the browser probe of FIG. 1 coupled to the alternative wand of FIG. 22.

FIG. 30 is a front view of the aspect of the browser probe assembly of FIG. 29.

FIG. 31 is a left side view of the aspect of the browser probe assembly of FIG. 29.

FIG. 32 is a right side view of the aspect of the browser probe assembly of FIG. 29.

FIG. 33 is a top view of the aspect of the browser probe assembly of FIG. 29.

FIG. 34 is a bottom view of the aspect of the browser probe assembly of FIG. 29.

FIG. 35 is a rear view of the aspect of the browser probe assembly of FIG. 29.

FIG. 36 is a perspective view of an alternative embodiment of the browser probe of FIG. 1.

FIG. 37 is a front view of the aspect of the browser probe assembly of FIG. 36.

FIG. 38 is a left side view of the aspect of the browser probe assembly of FIG. 36.

FIG. 39 is a right side view of the aspect of the browser probe assembly of FIG. 36.

FIG. 40 is a top view of the aspect of the browser probe assembly of FIG. 36.

FIG. 41 is a bottom view of the aspect of the browser probe assembly of FIG. 36; and,

FIG. 42 is a rear view of the aspect of the browser probe assembly of FIG. 36.

The portions of the browser probe assembly shown in broken lines form no part of the claimed design.

1 Claim, 22 Drawing Sheets

(58) Field of Classification Search

CPC G01R 1/06; G01R 1/067; G01R 1/06705;
G01R 1/06711; G01R 1/06716; G01R
1/06722; G01R 1/06727; G01R 1/06733;
G01R 1/06738; G01R 1/06744; G01R
1/0675; G01R 1/06766; G01R 1/06772;
G01R 1/06777; G01R 1/06783; G01R
1/0678

See application file for complete search history.

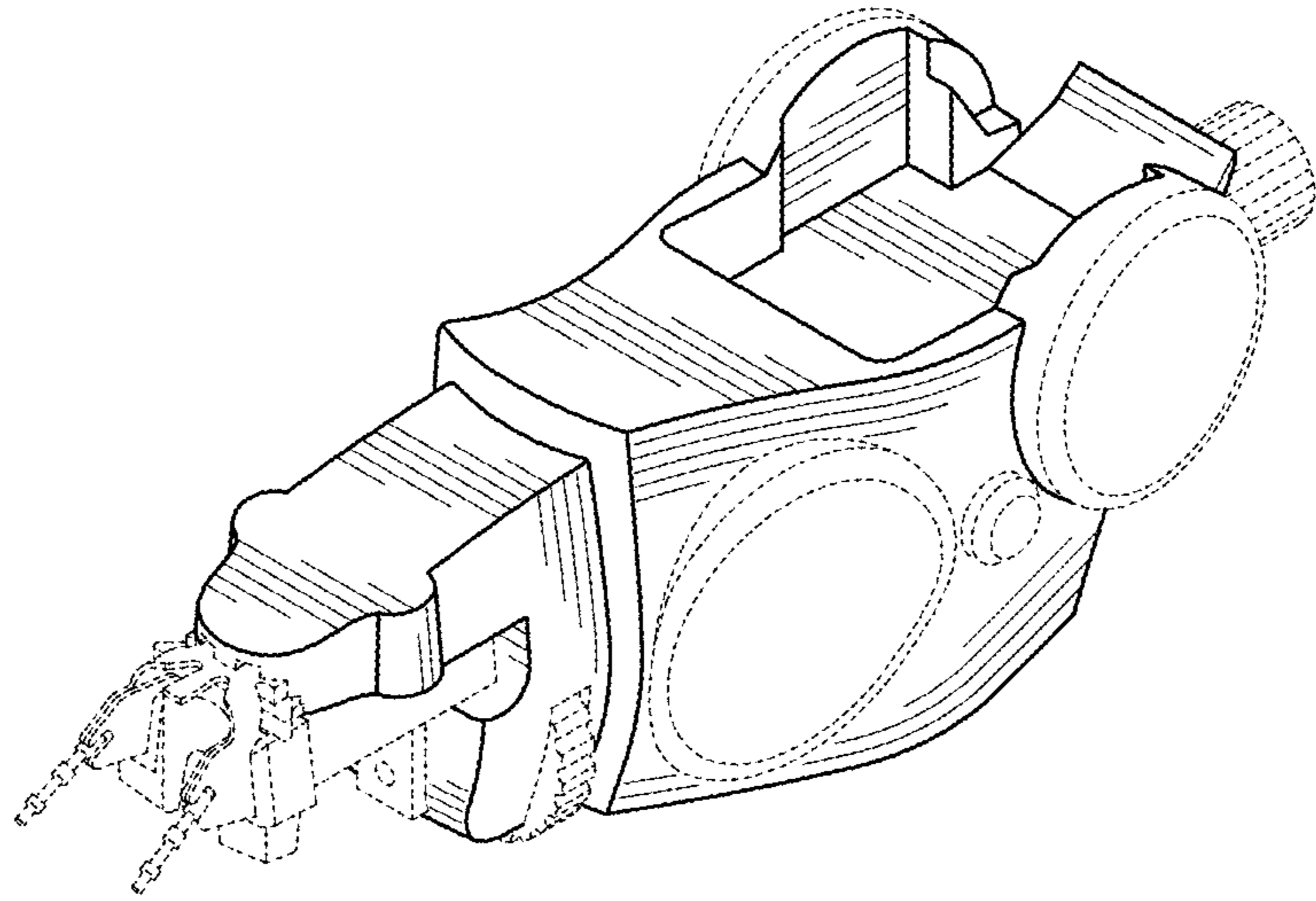


FIG. 1

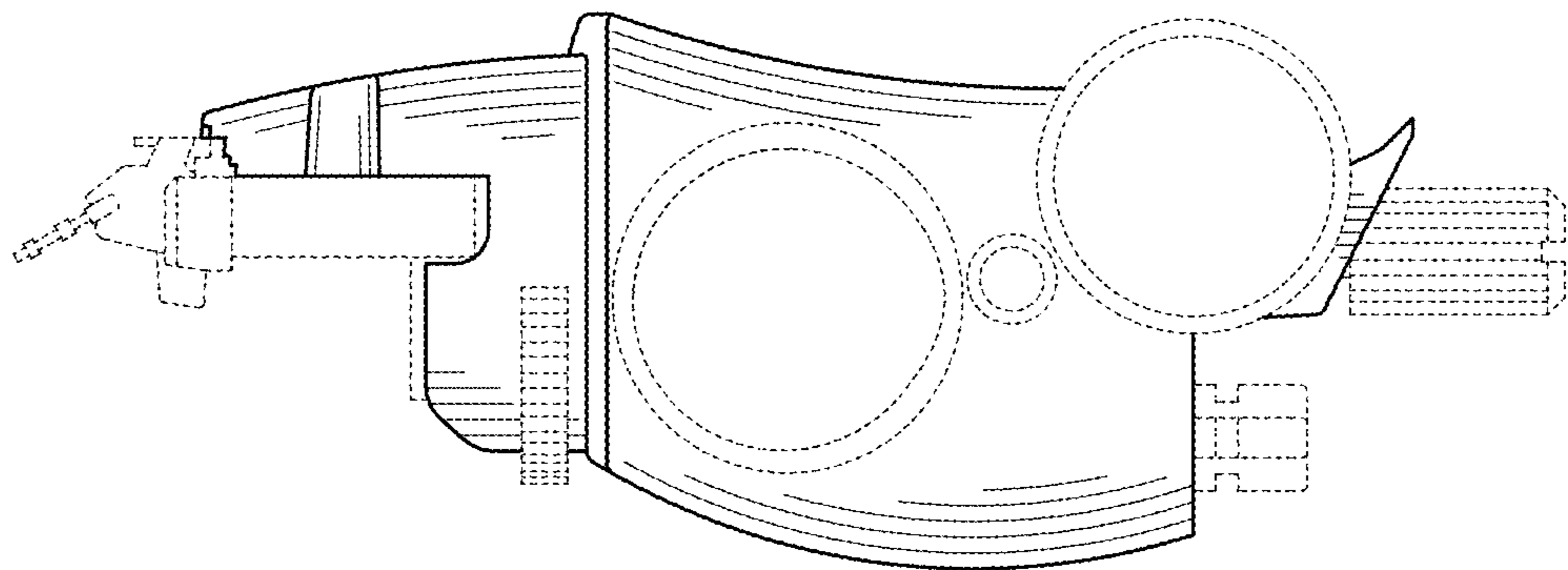


FIG. 2

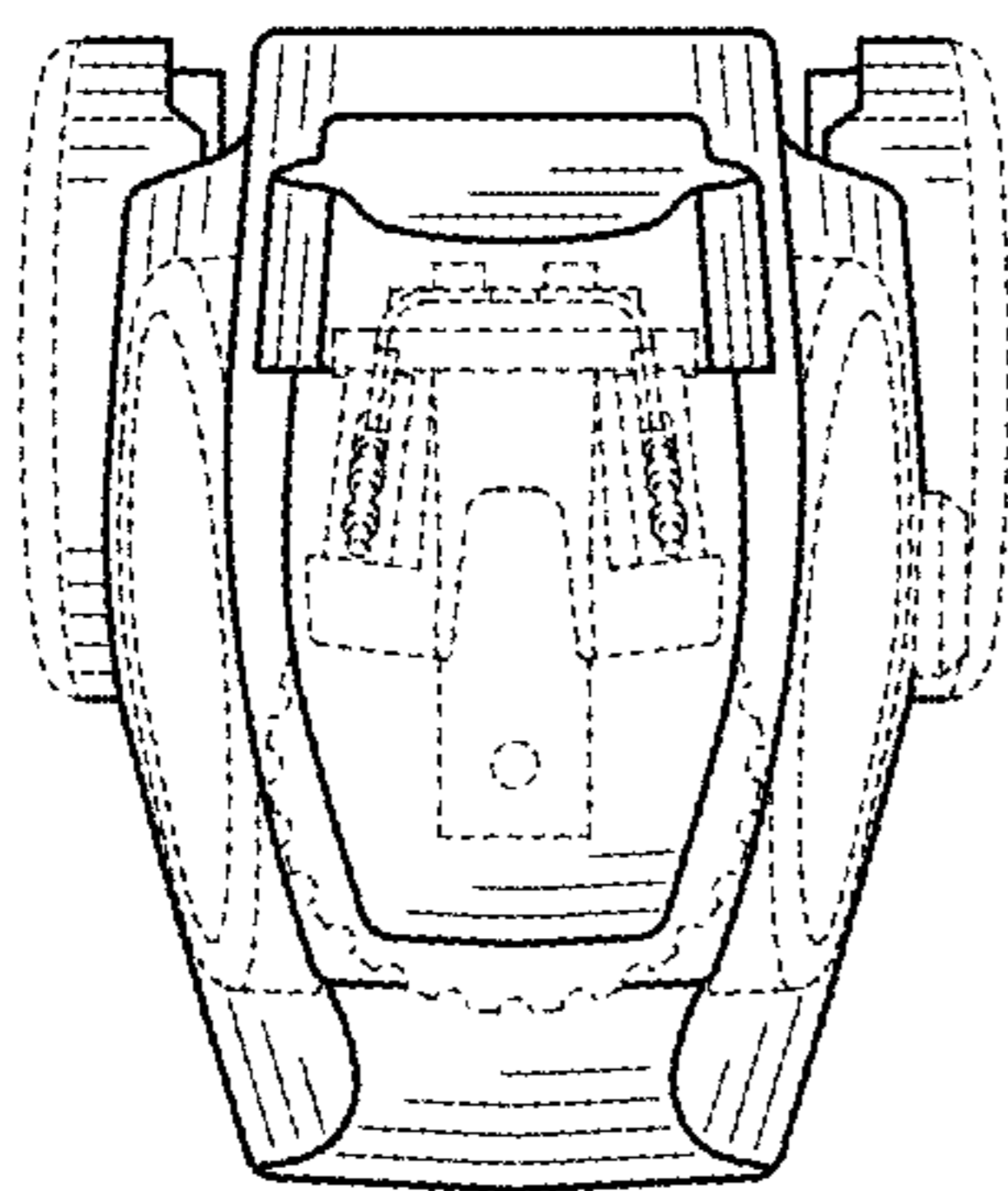


FIG. 3

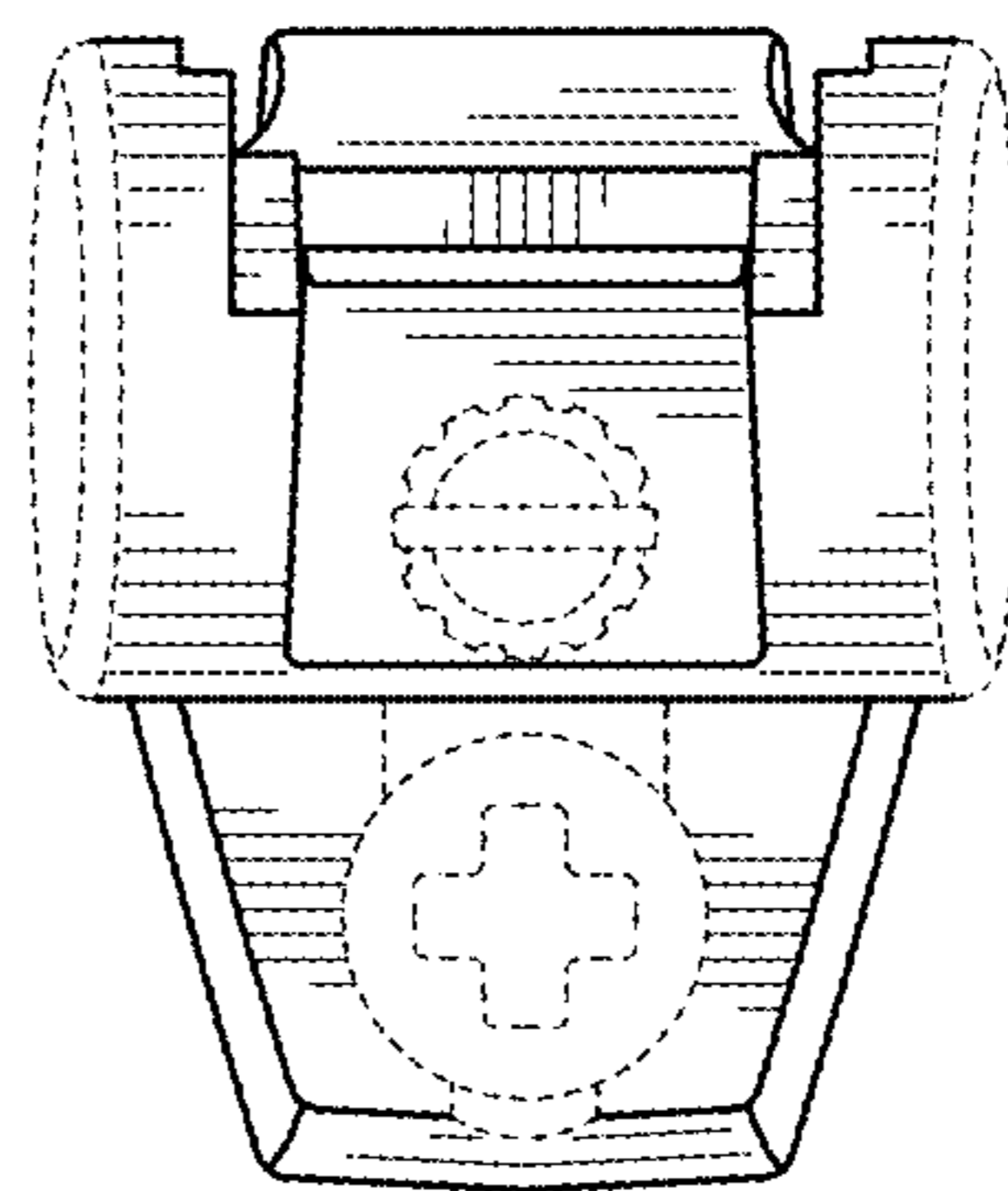


FIG. 4

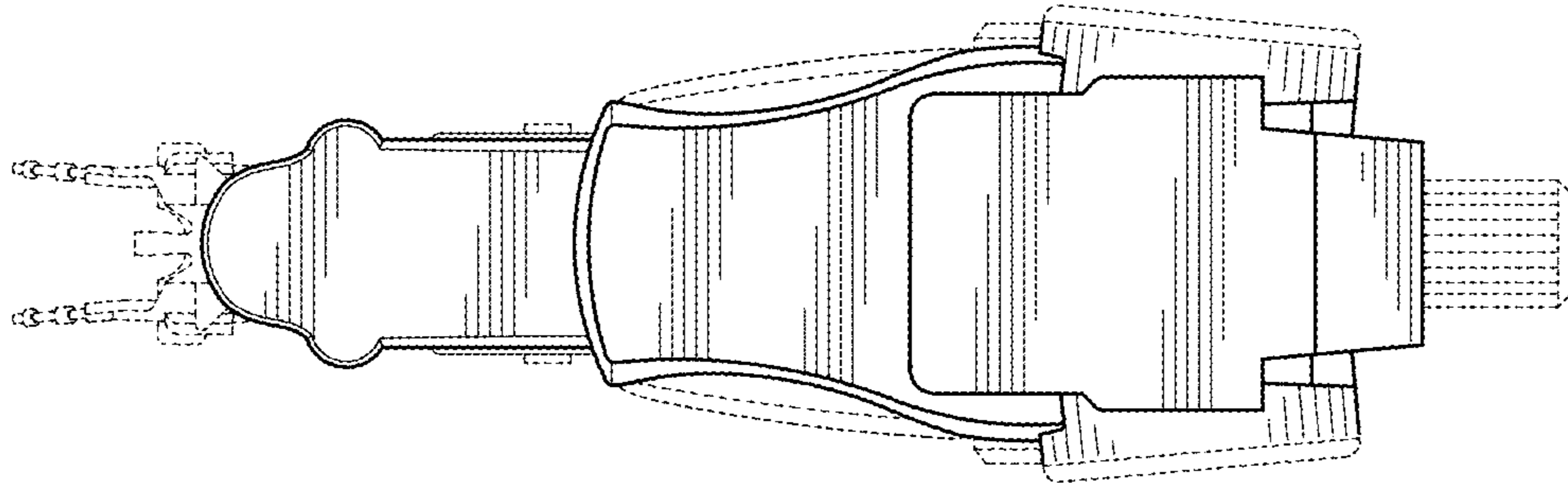


FIG. 5

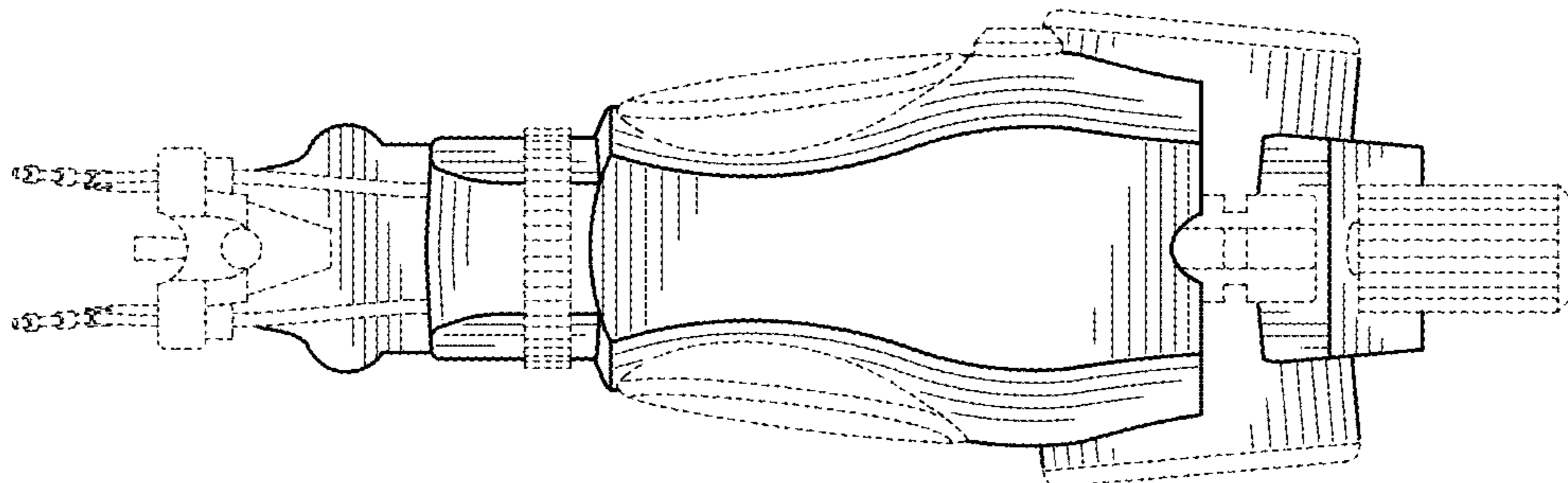


FIG. 6

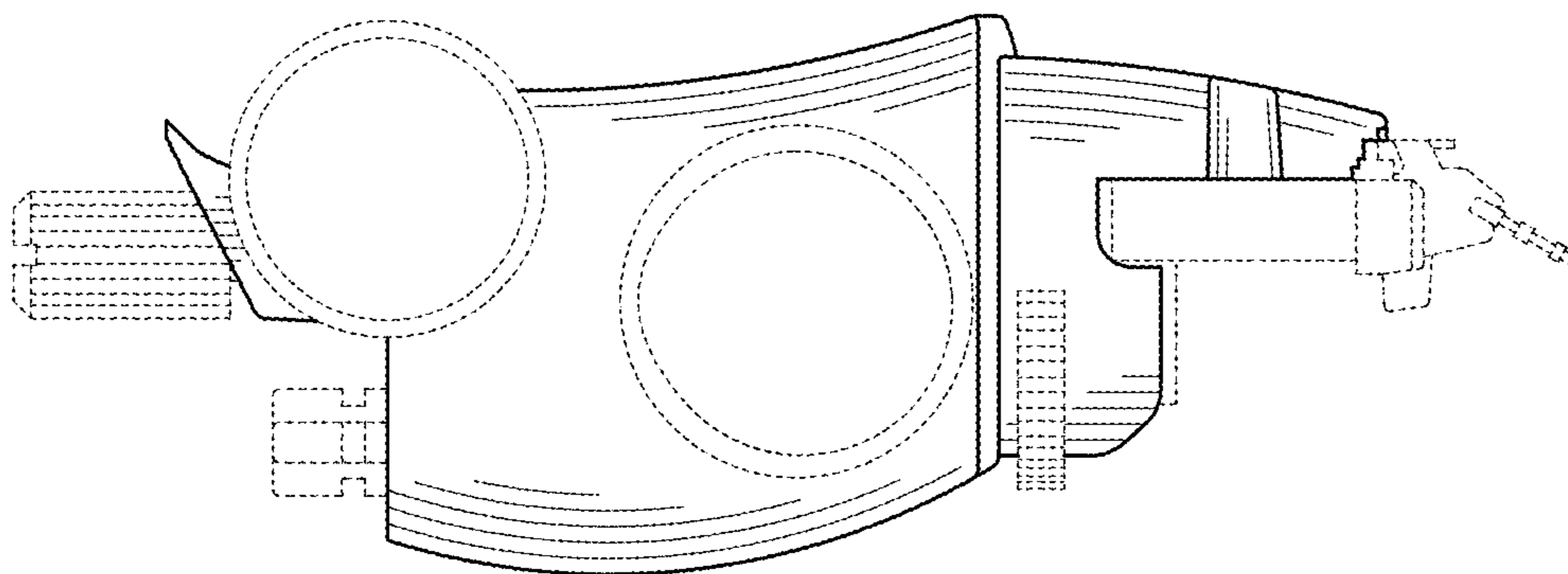


FIG. 7

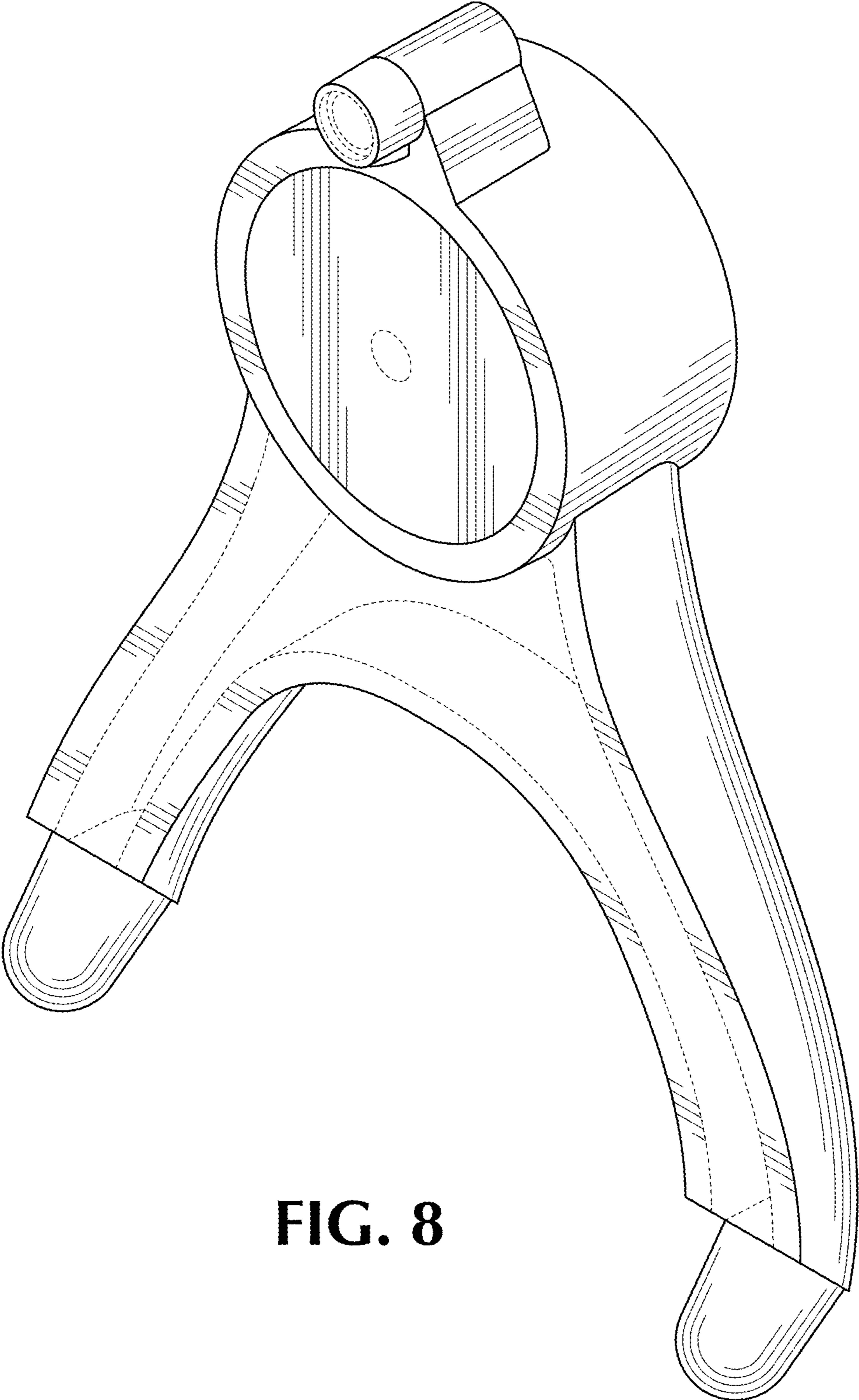


FIG. 8

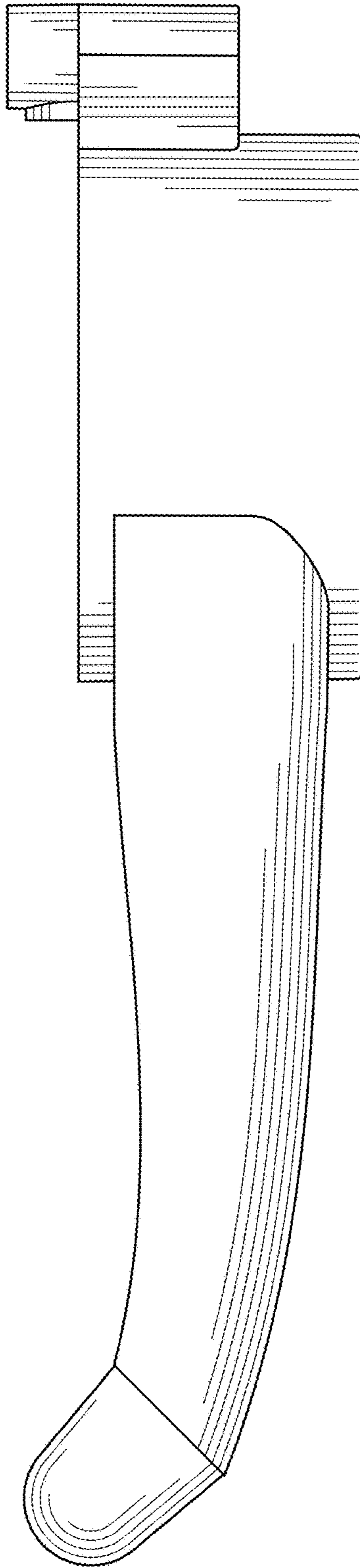


FIG. 9

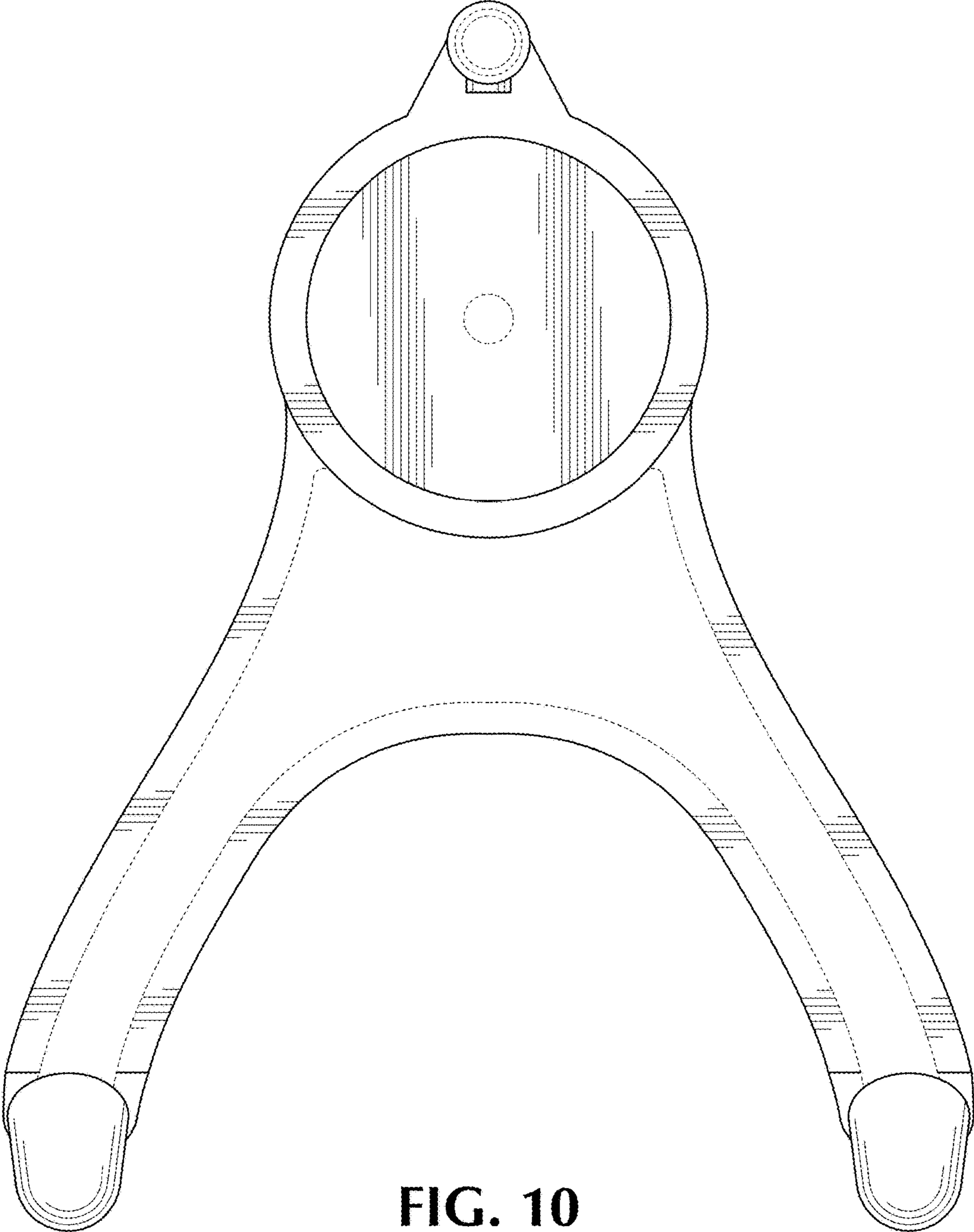


FIG. 10

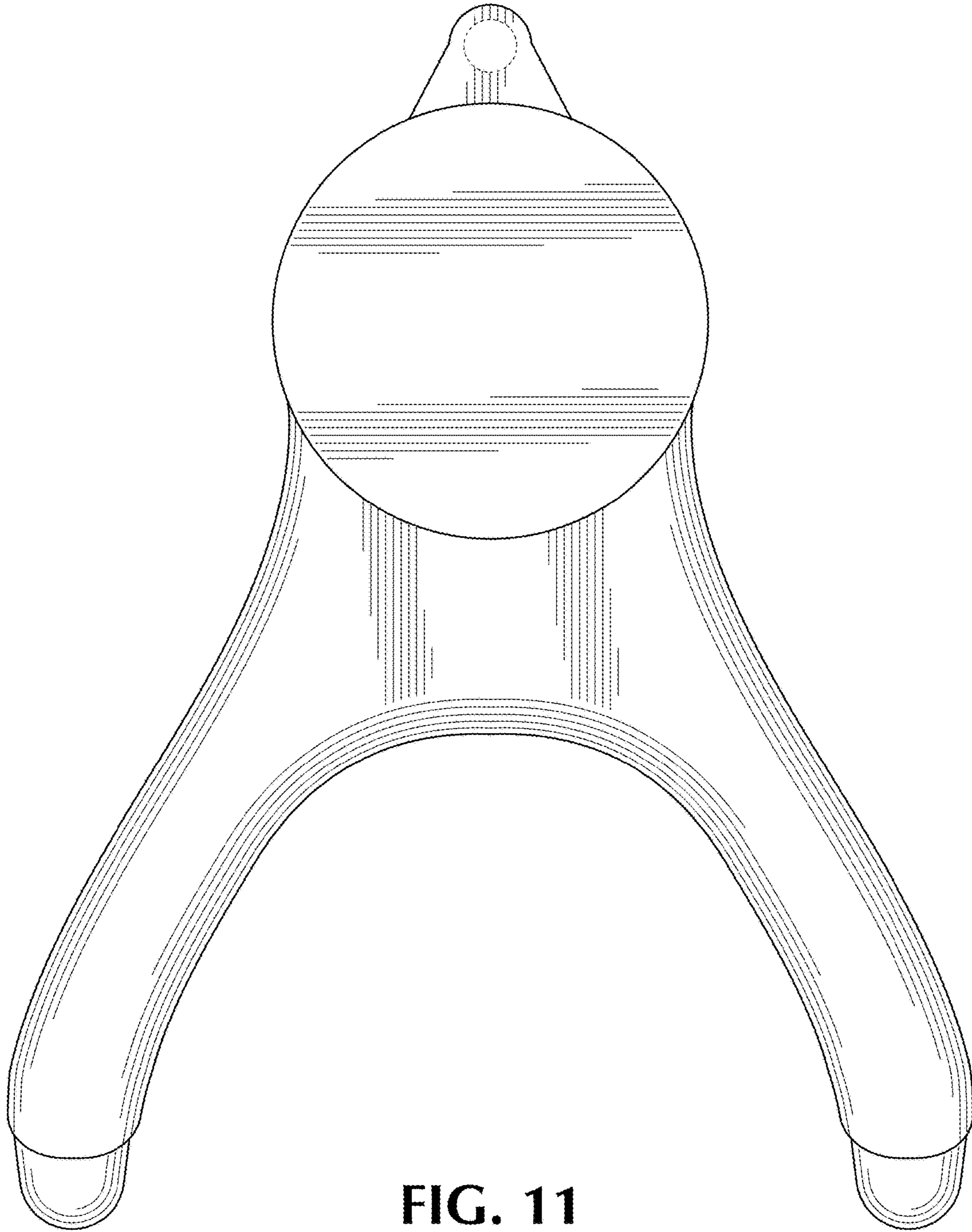


FIG. 11

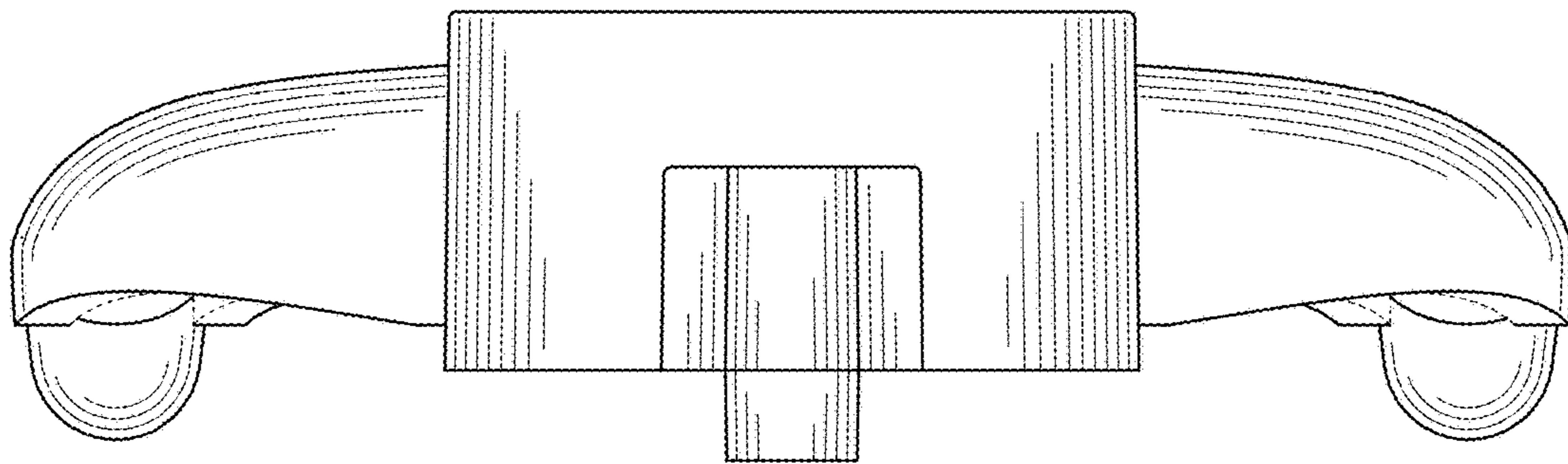


FIG. 12

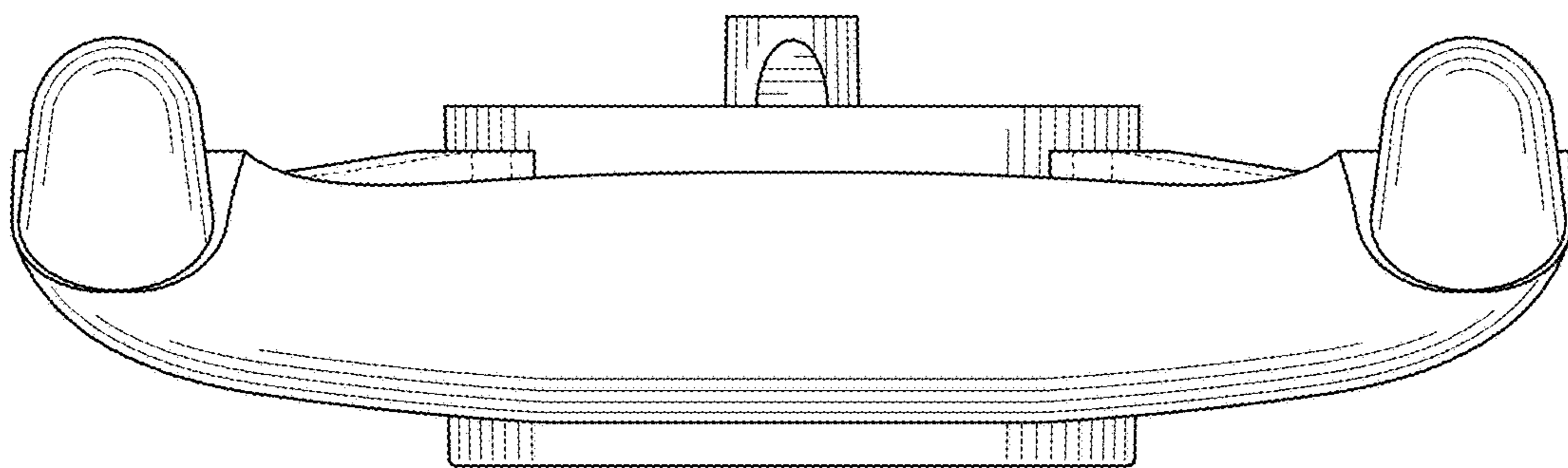


FIG. 13

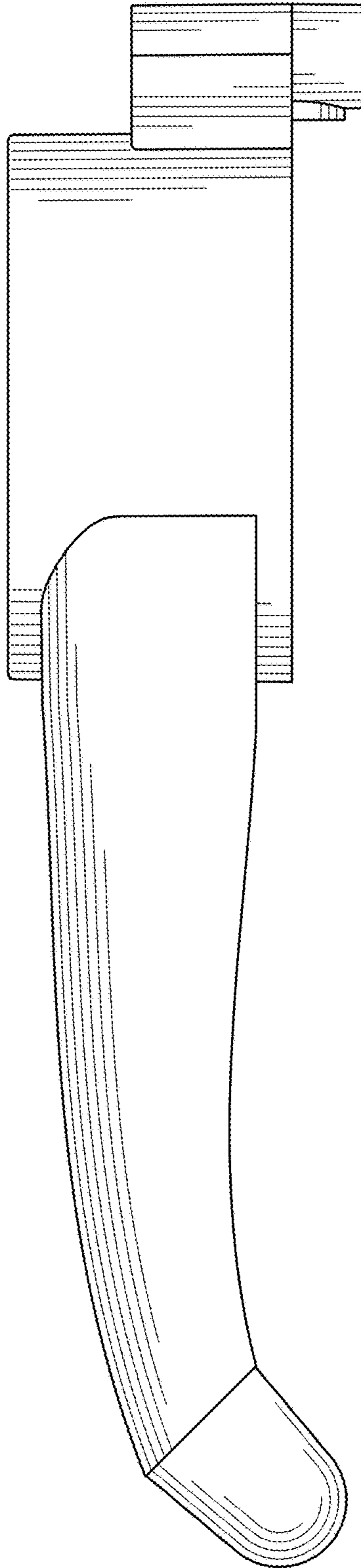


FIG. 14

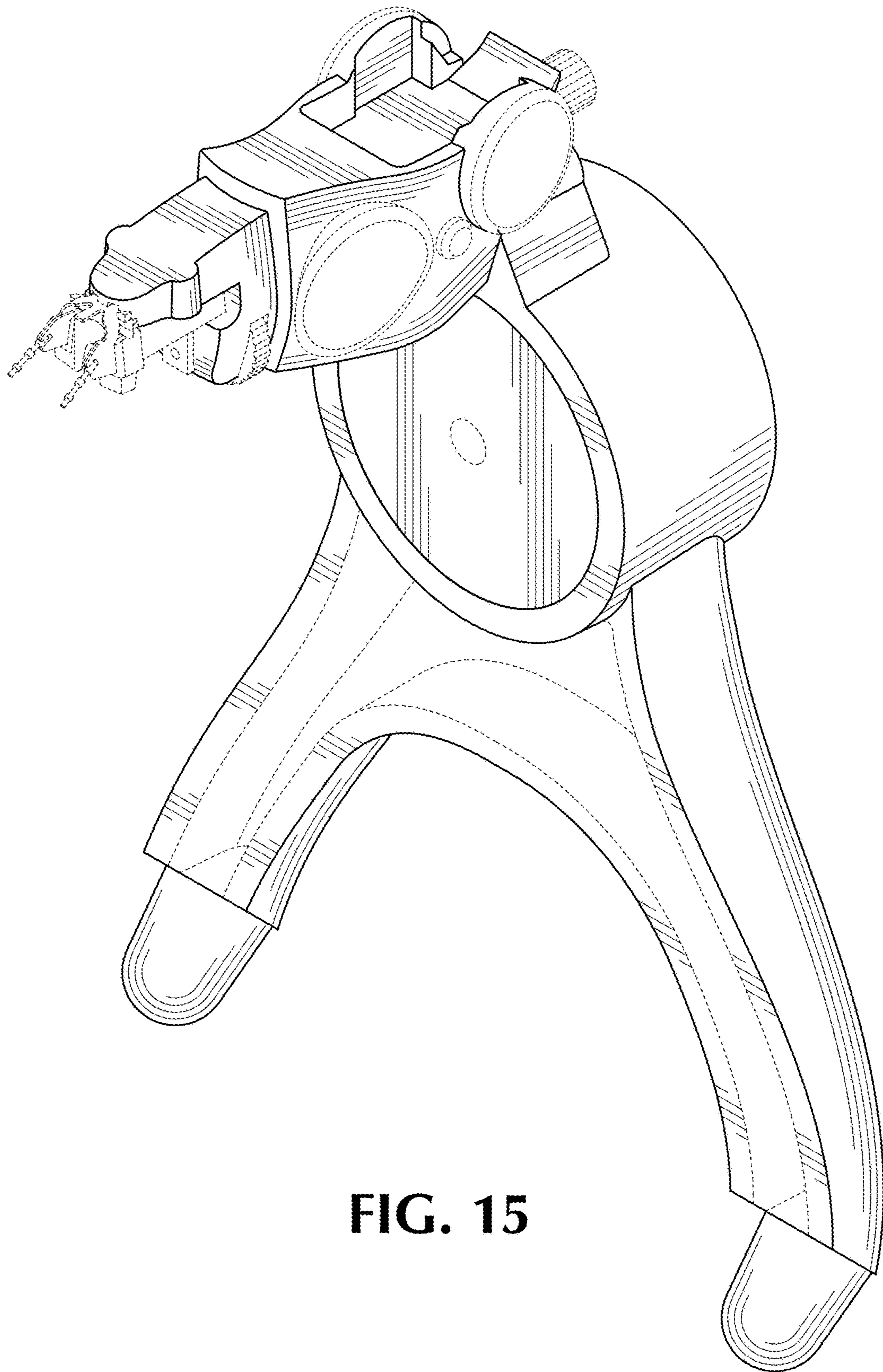


FIG. 15

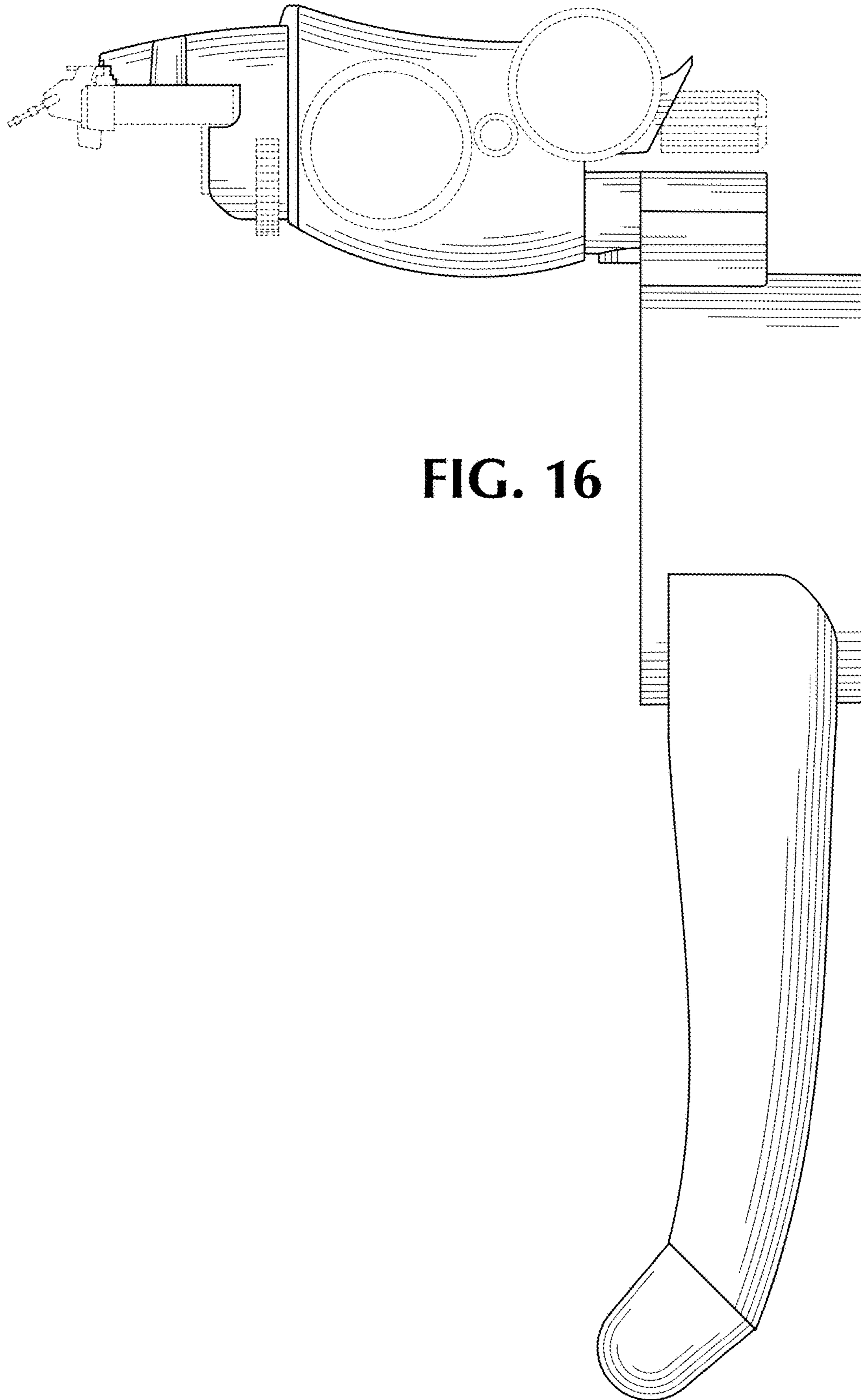


FIG. 16

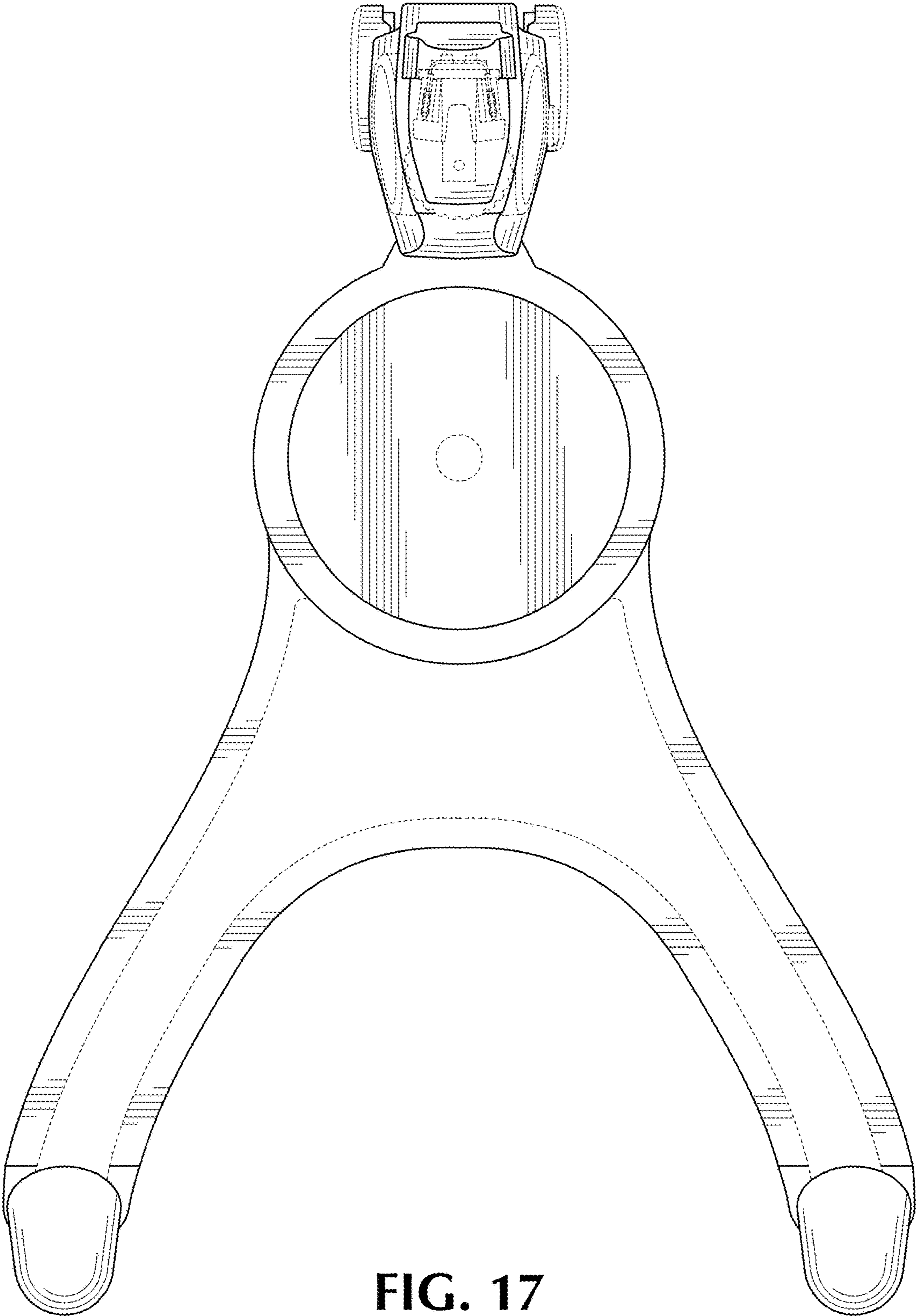


FIG. 17

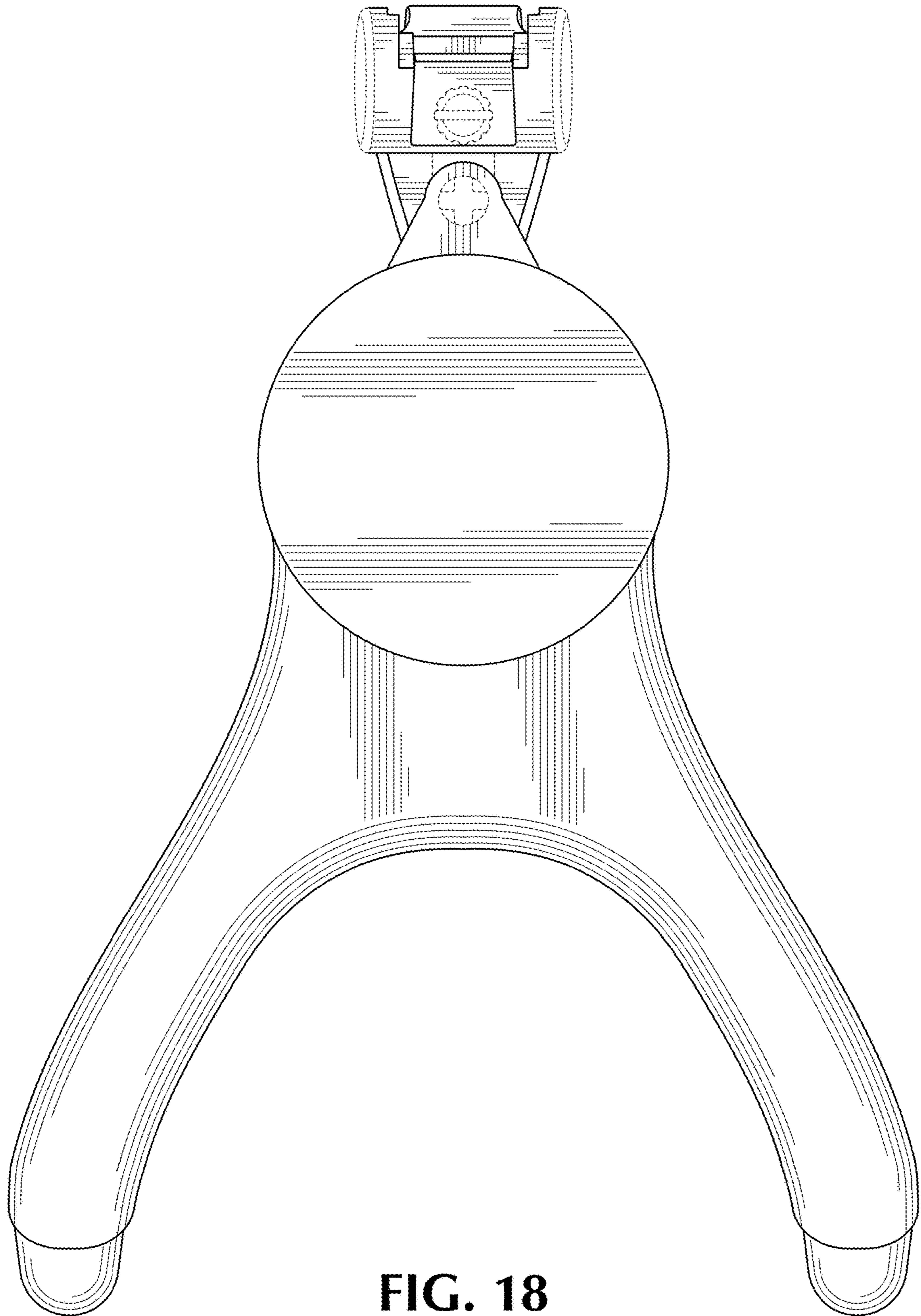


FIG. 18

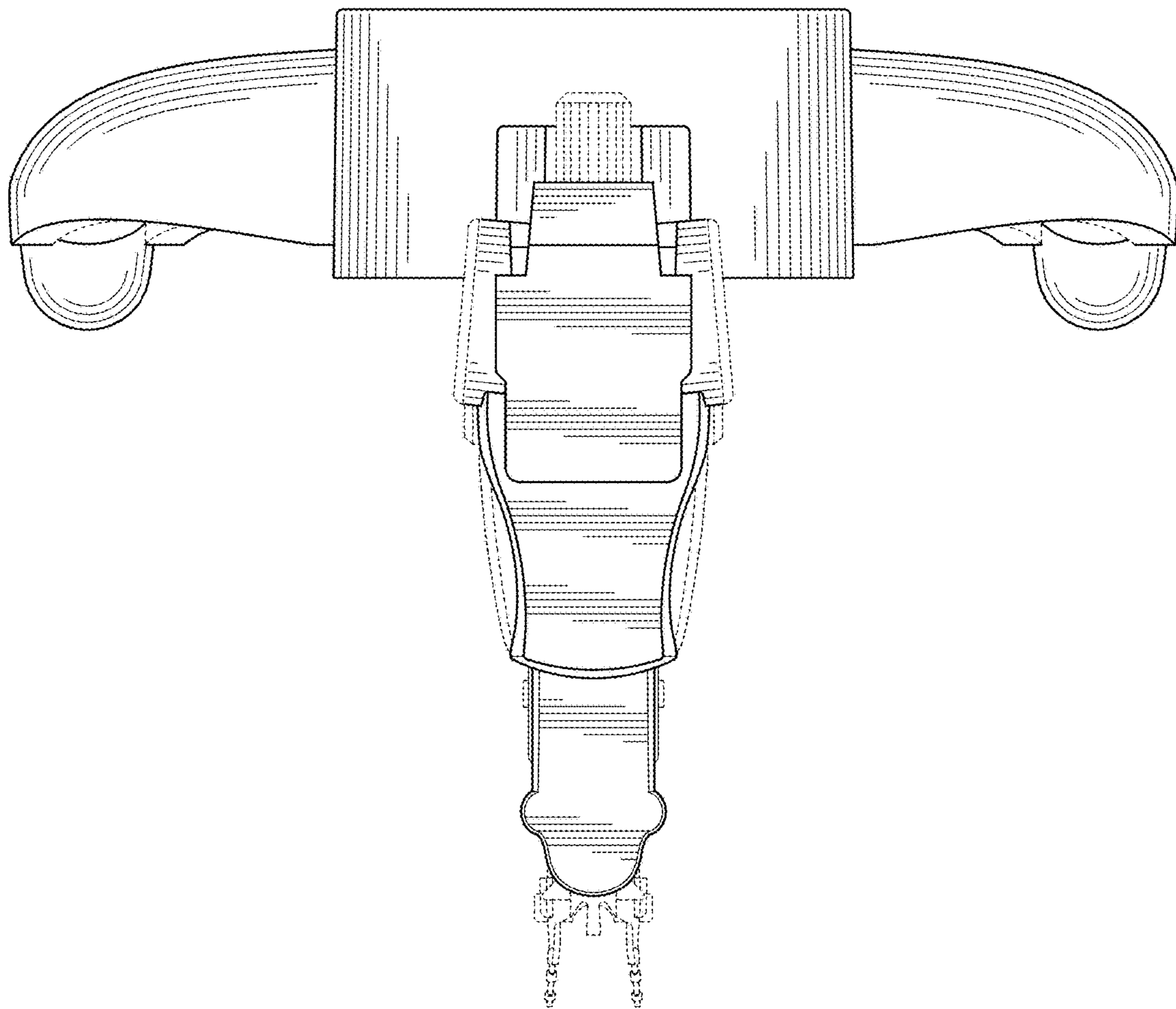


FIG. 19

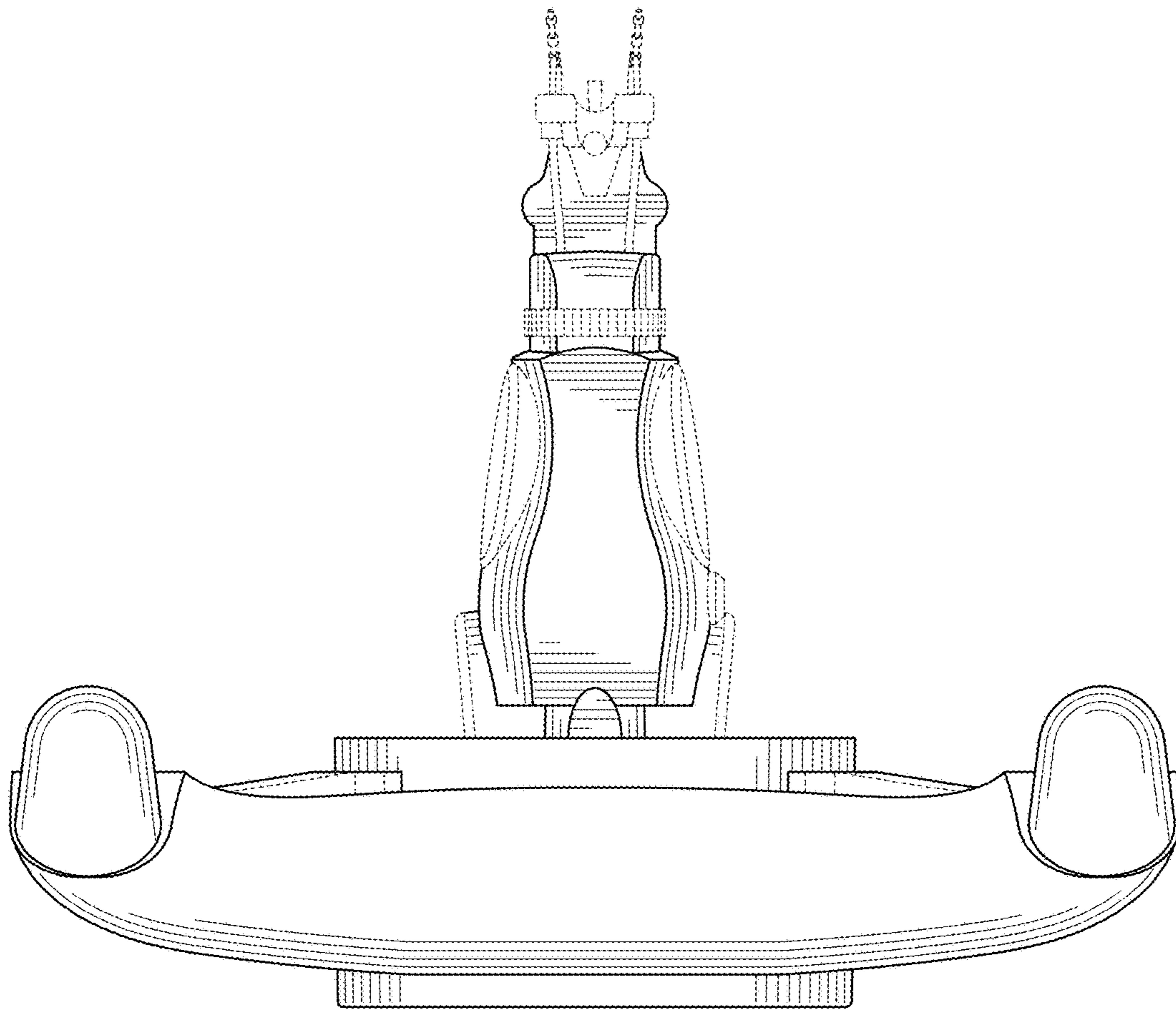


FIG. 20

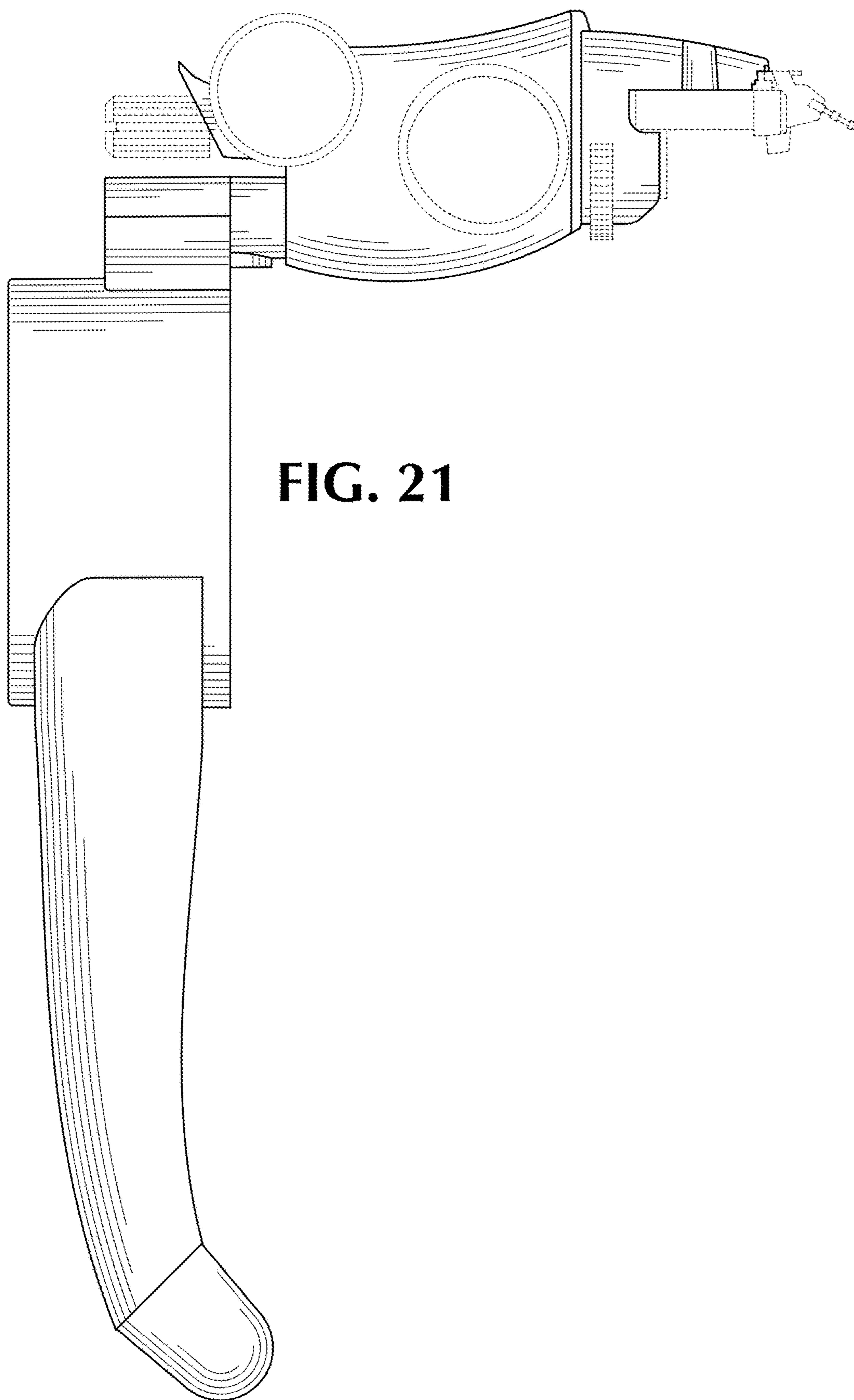


FIG. 21

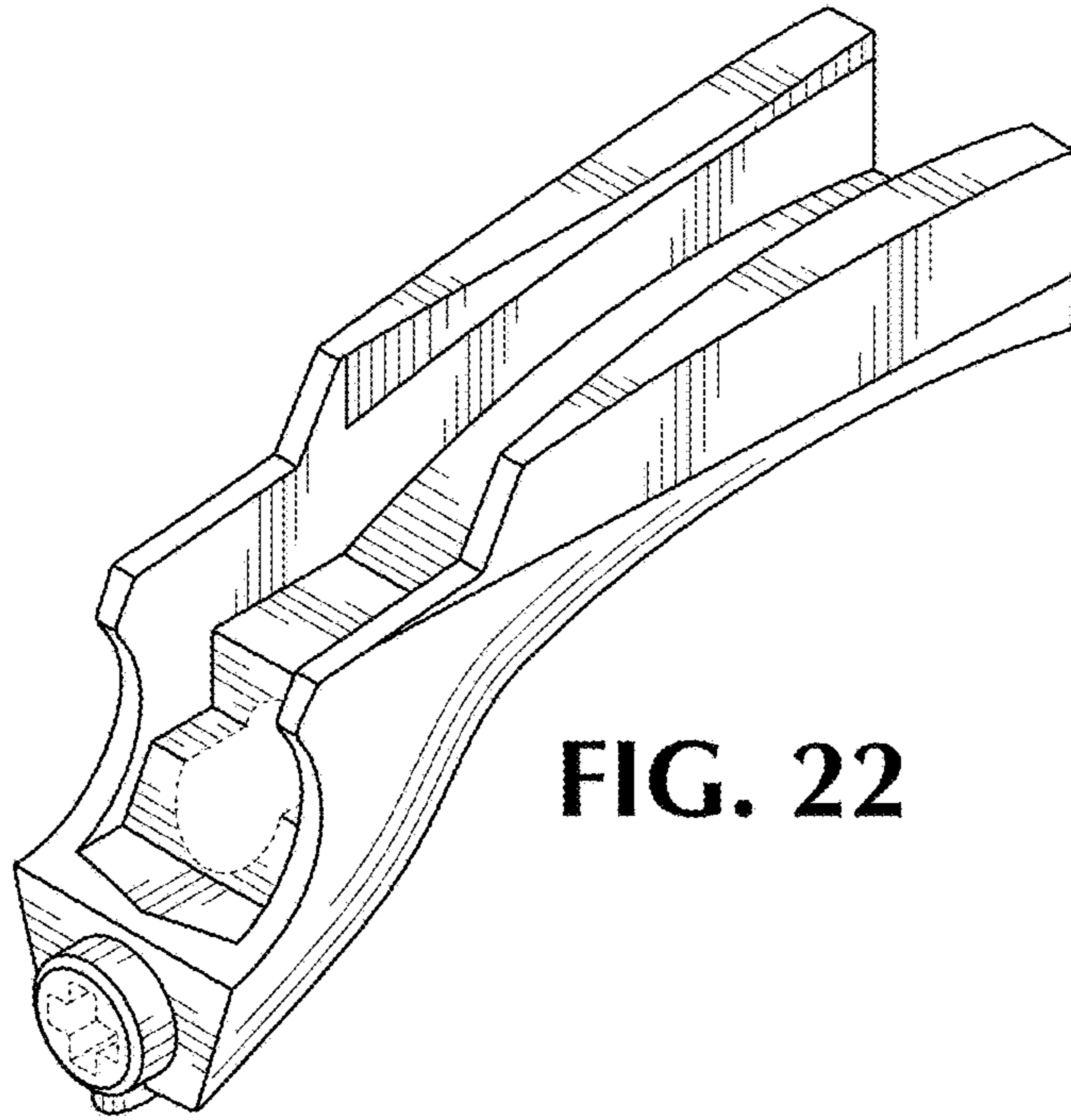


FIG. 22

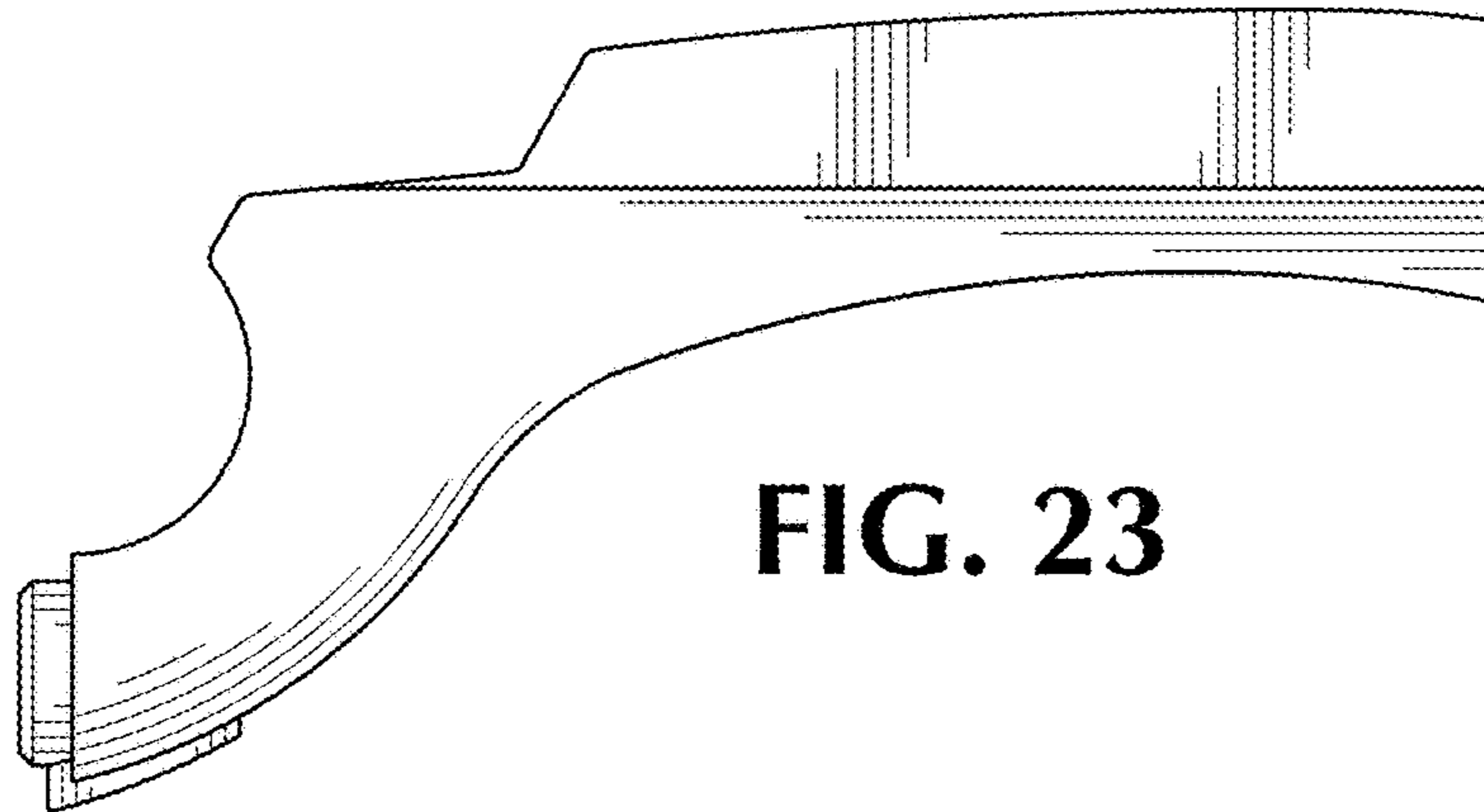


FIG. 23

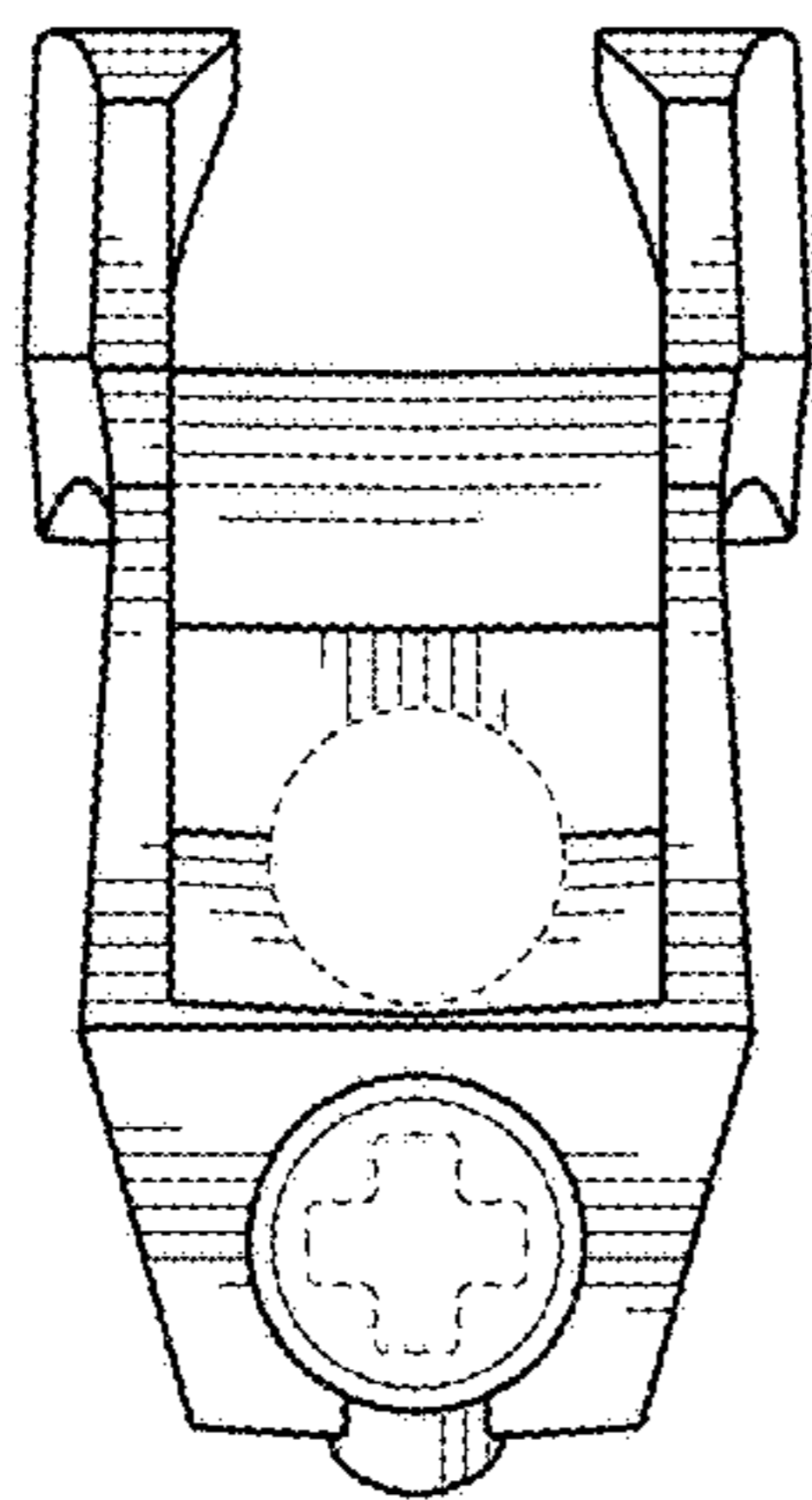


FIG. 24

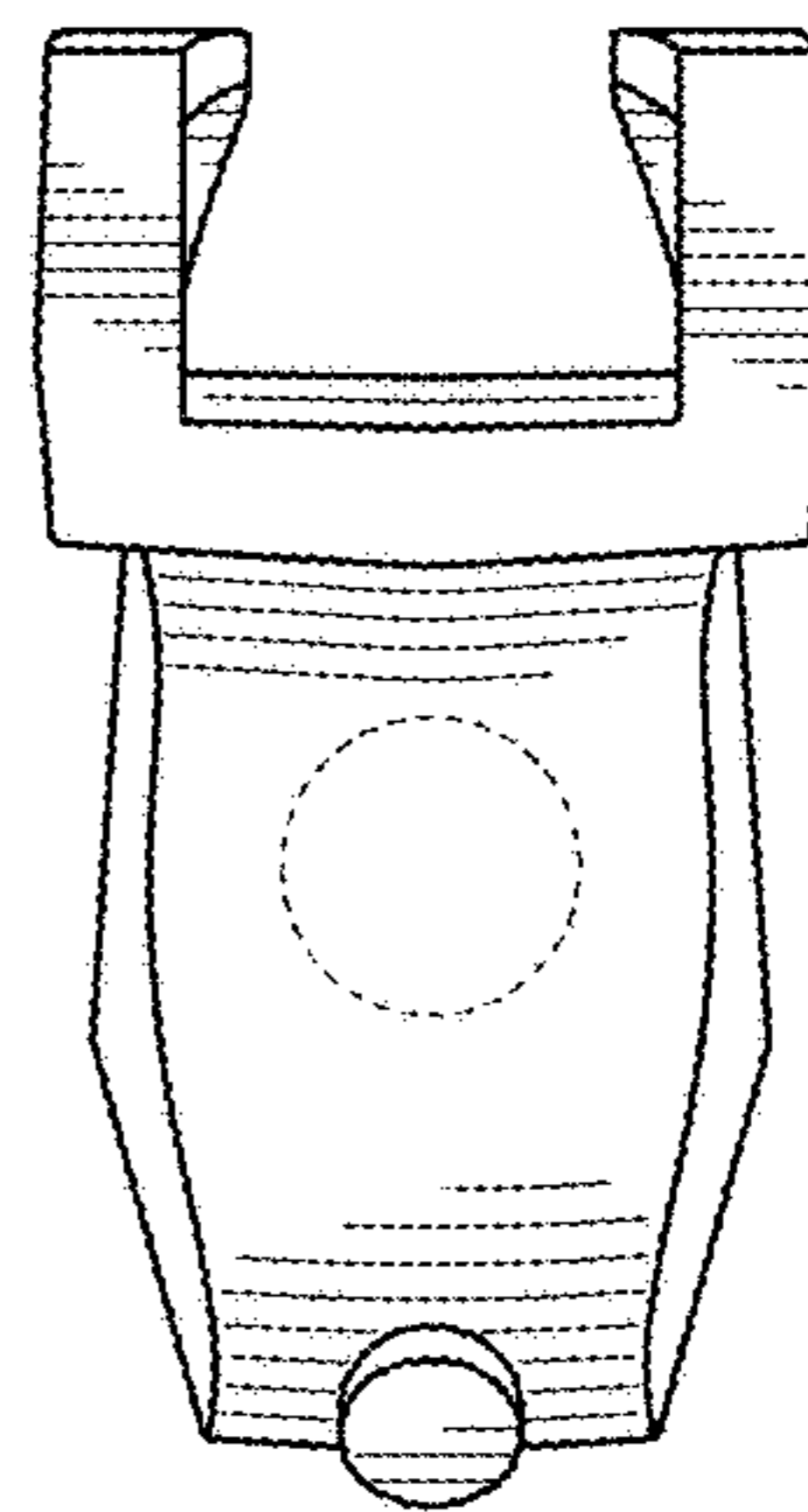


FIG. 25

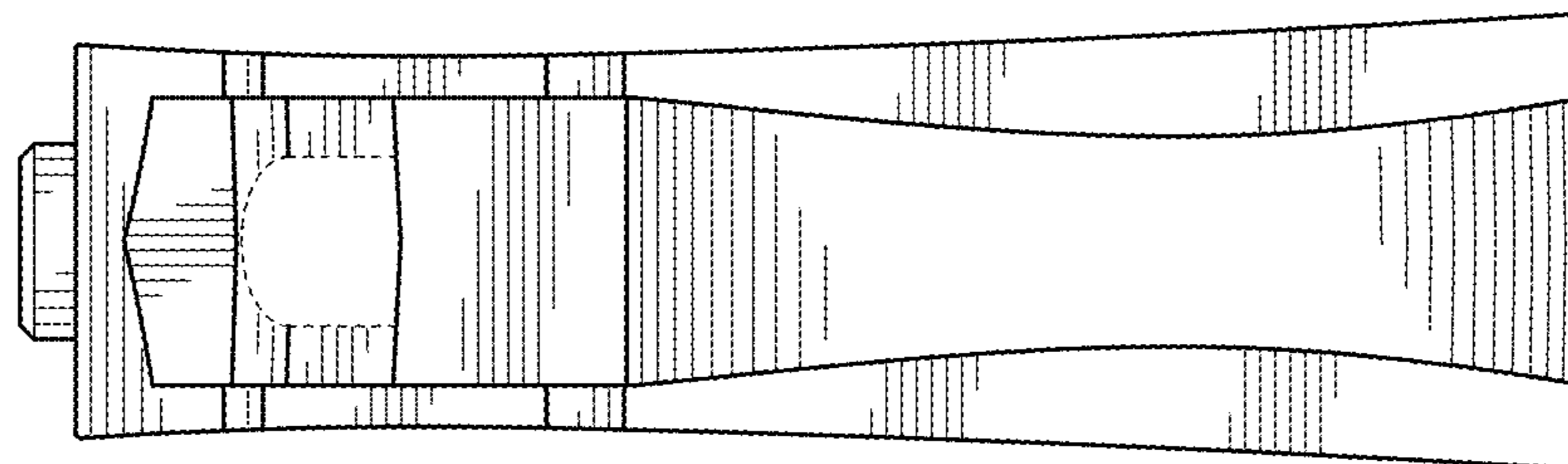


FIG. 26

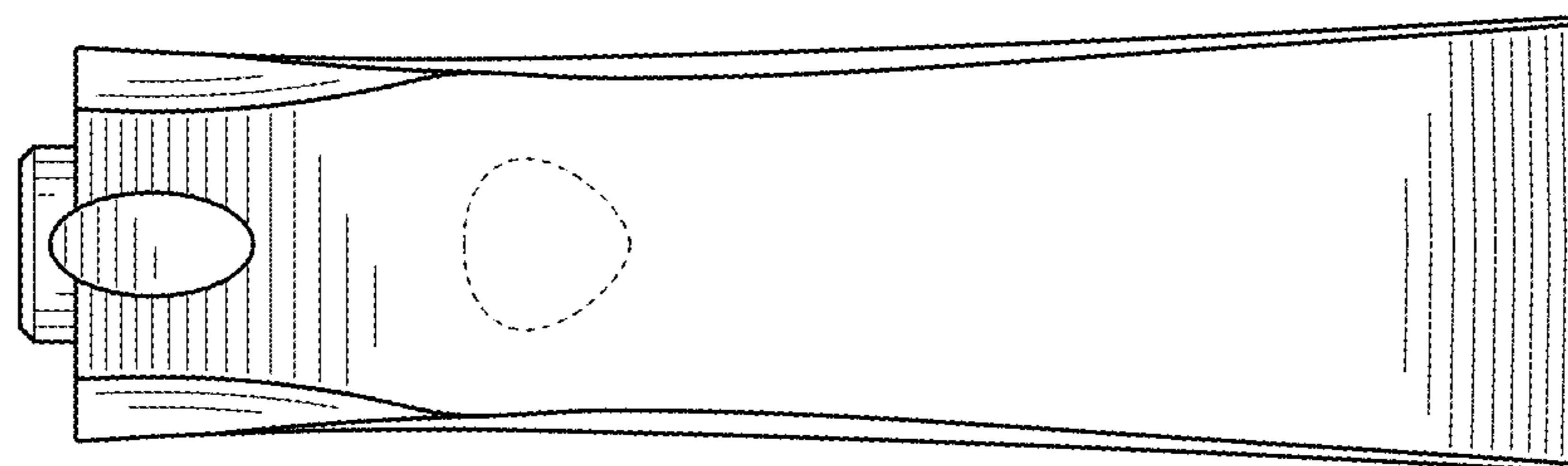


FIG. 27

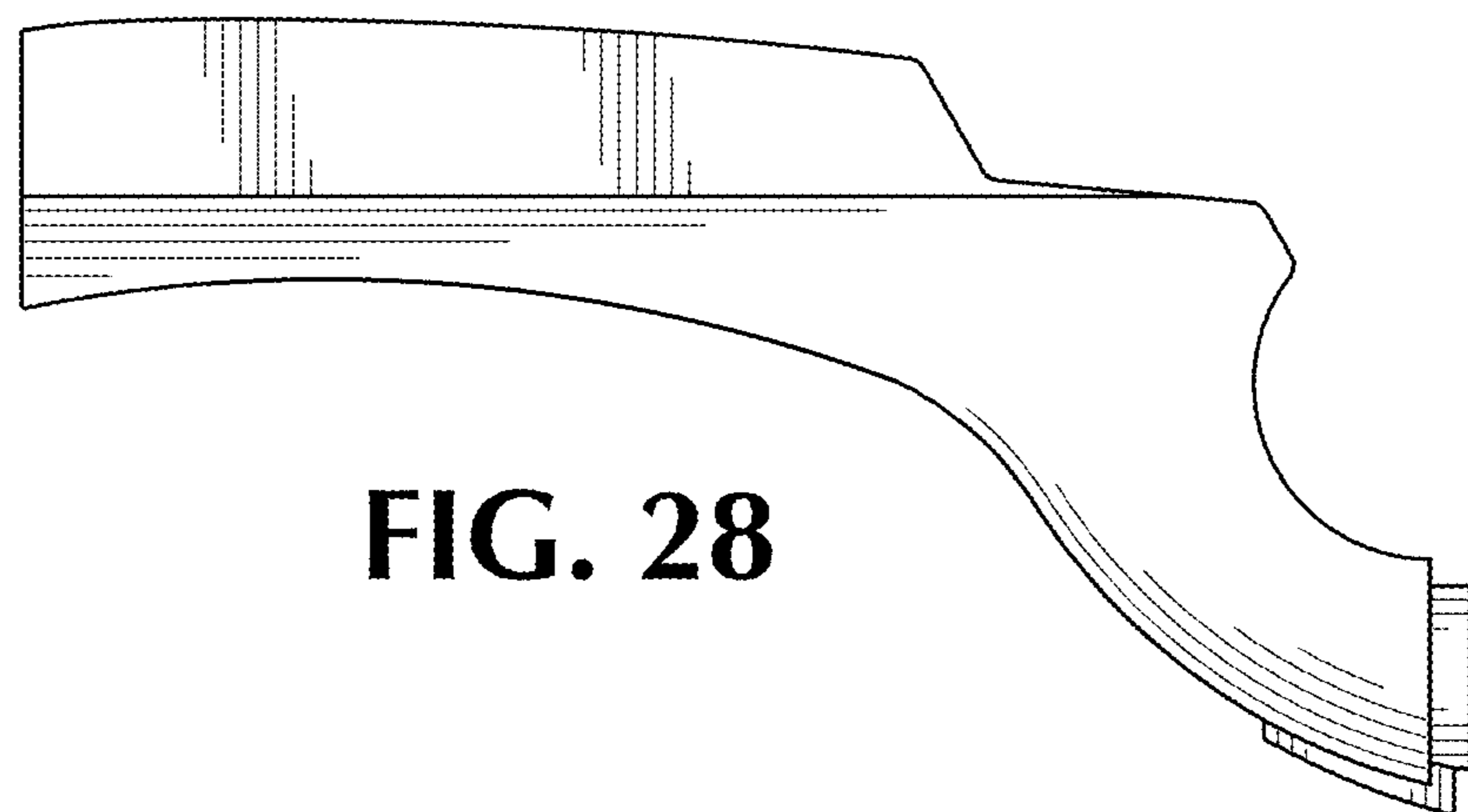


FIG. 28

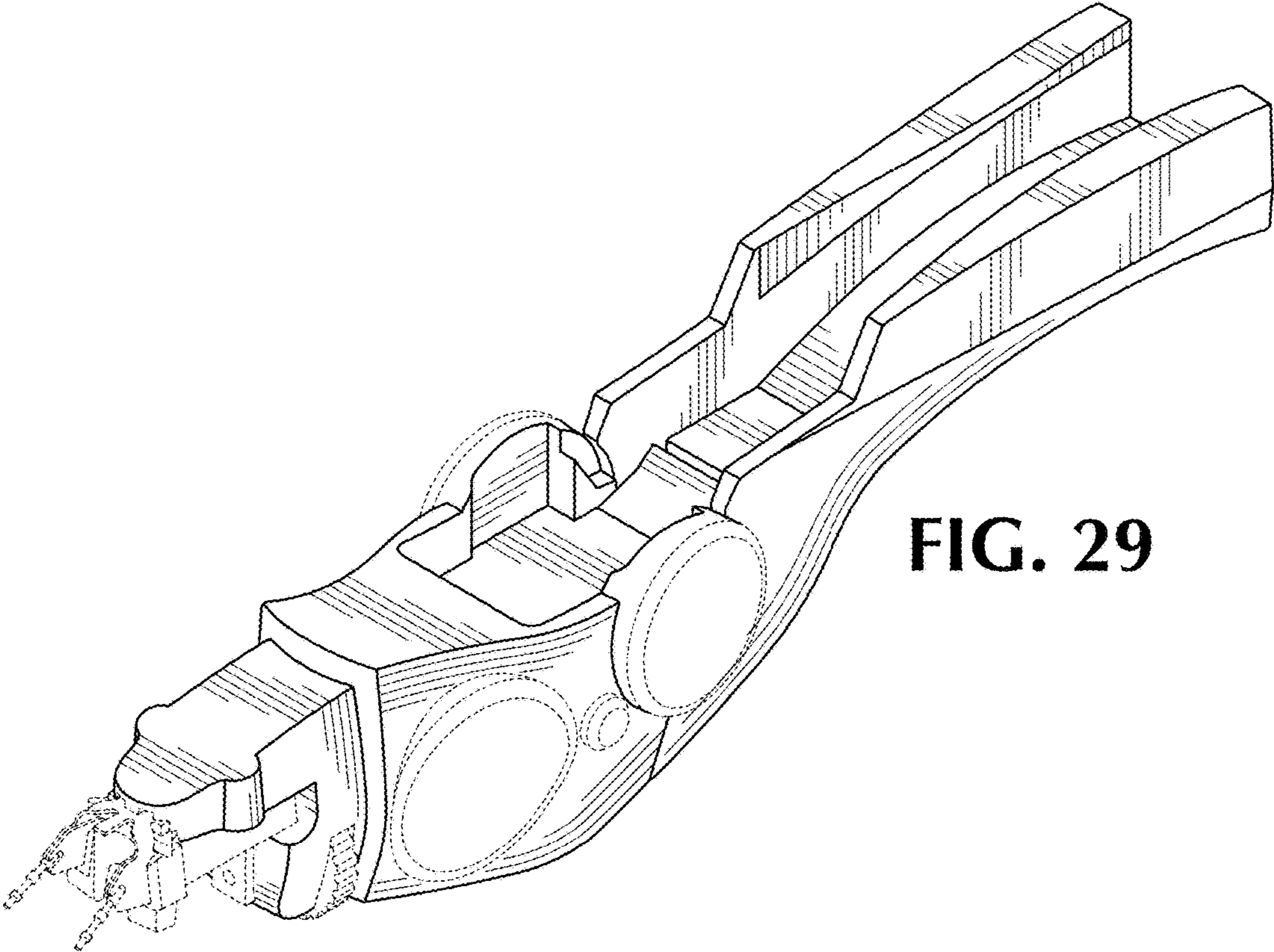


FIG. 29

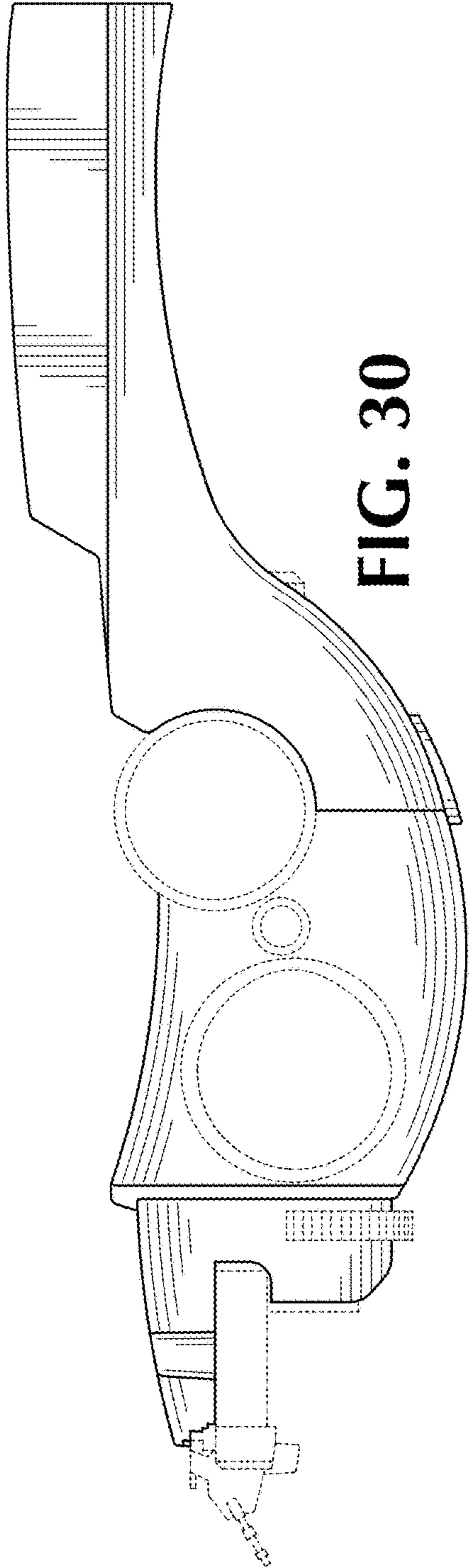


FIG. 30

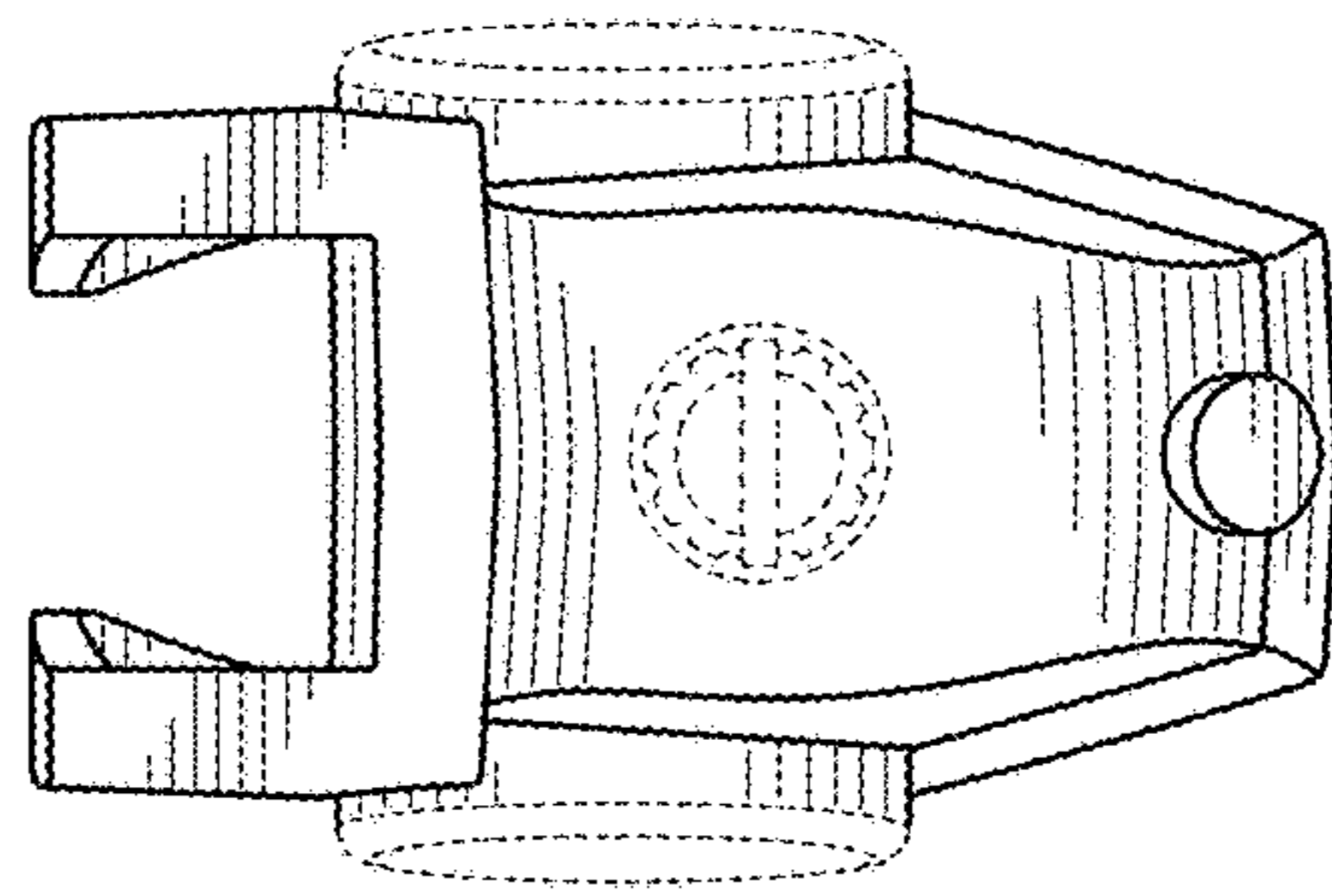


FIG. 32

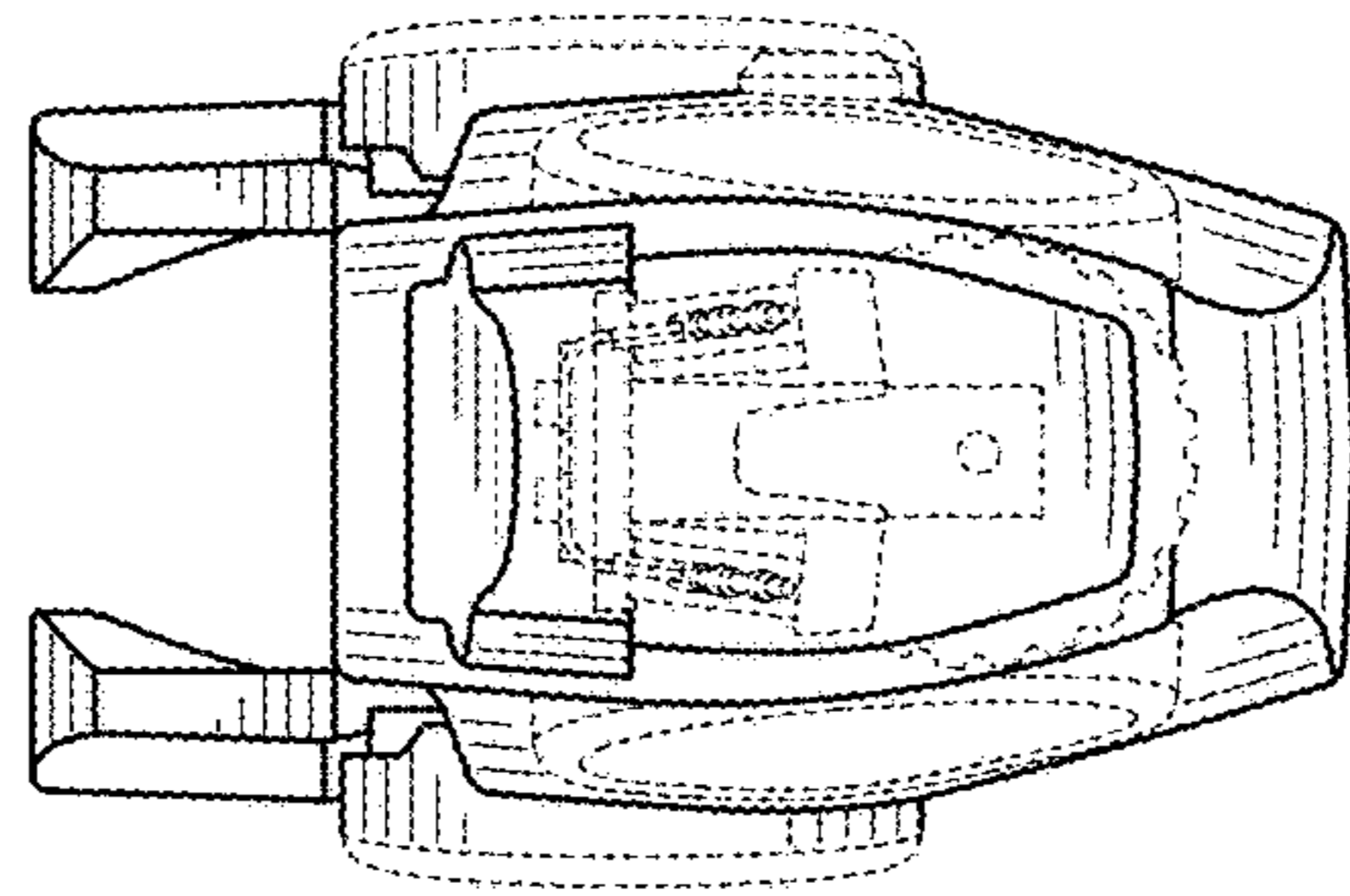


FIG. 31

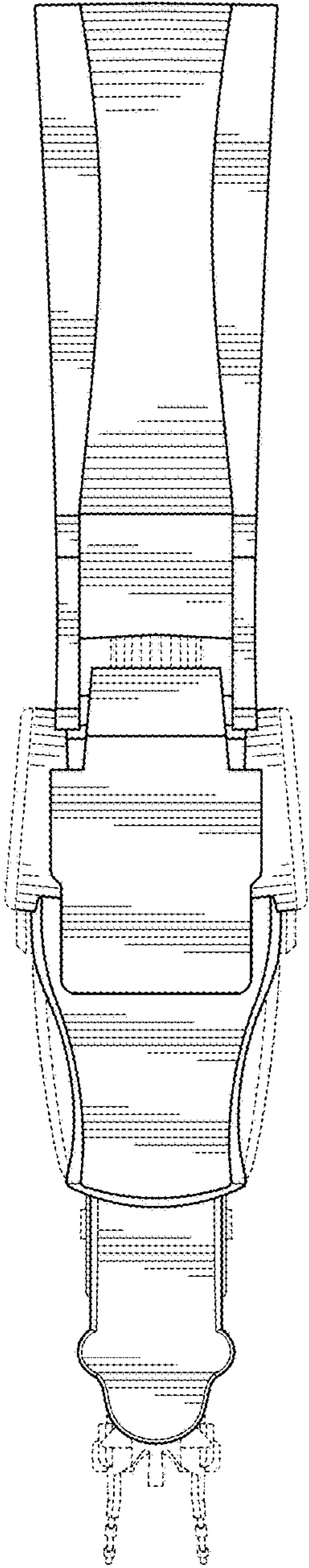


FIG. 33

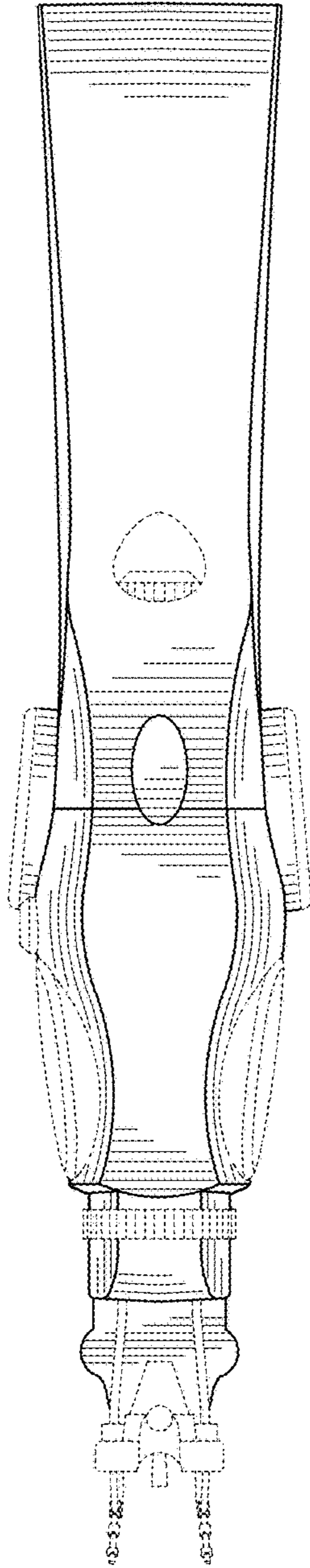


FIG. 34

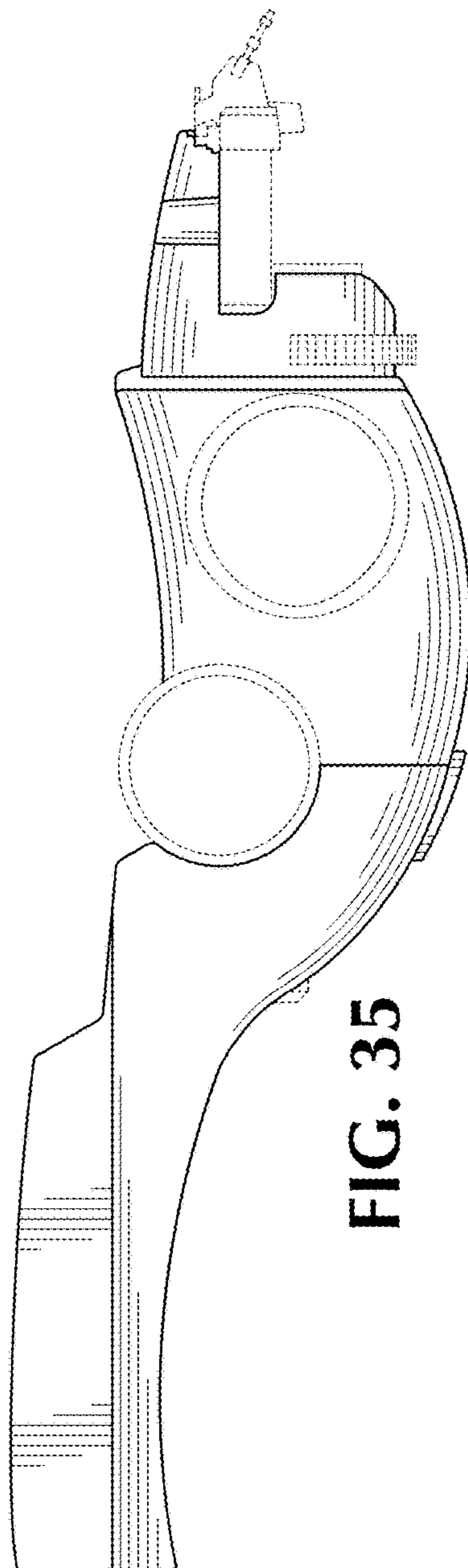


FIG. 35

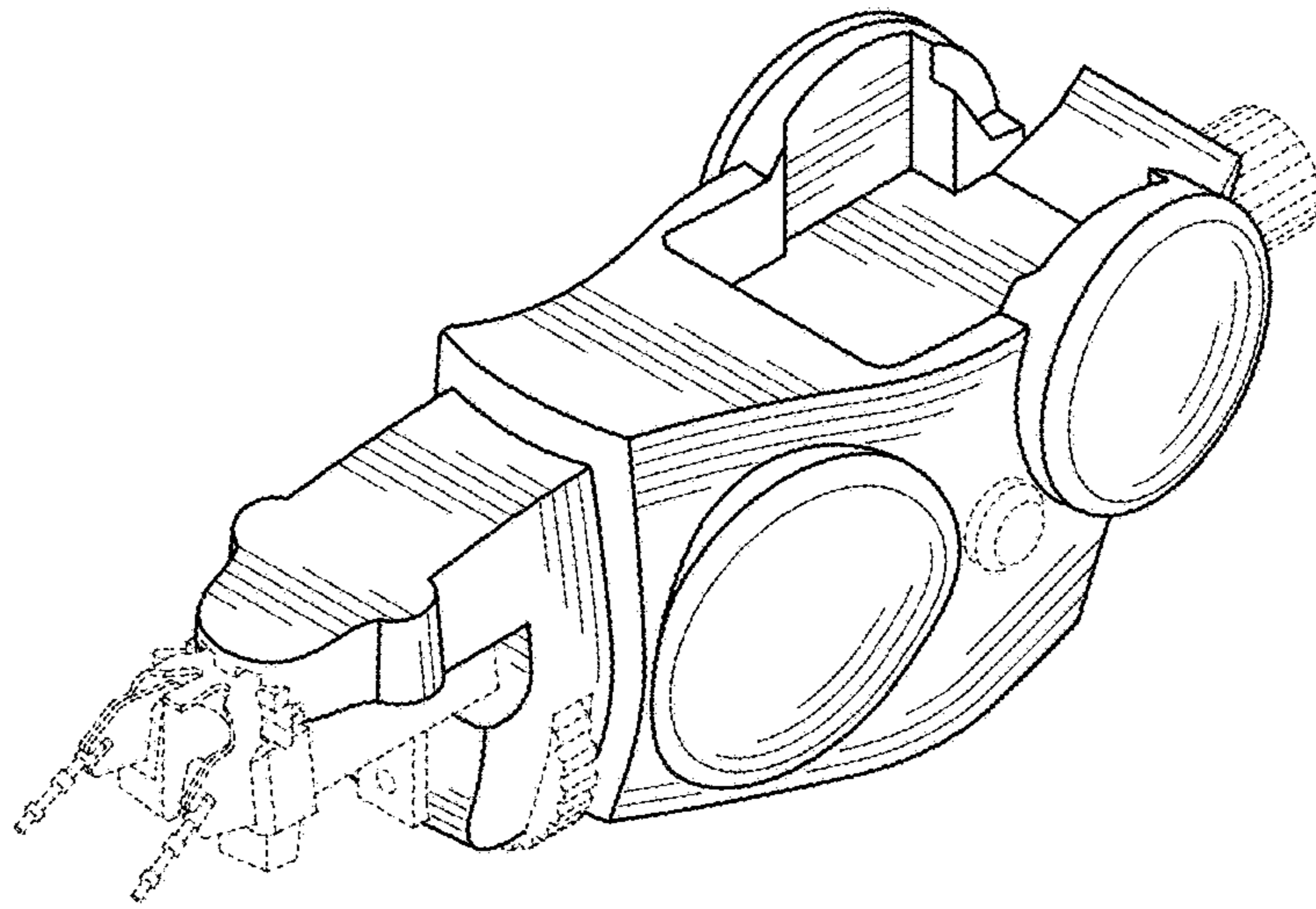


FIG. 36

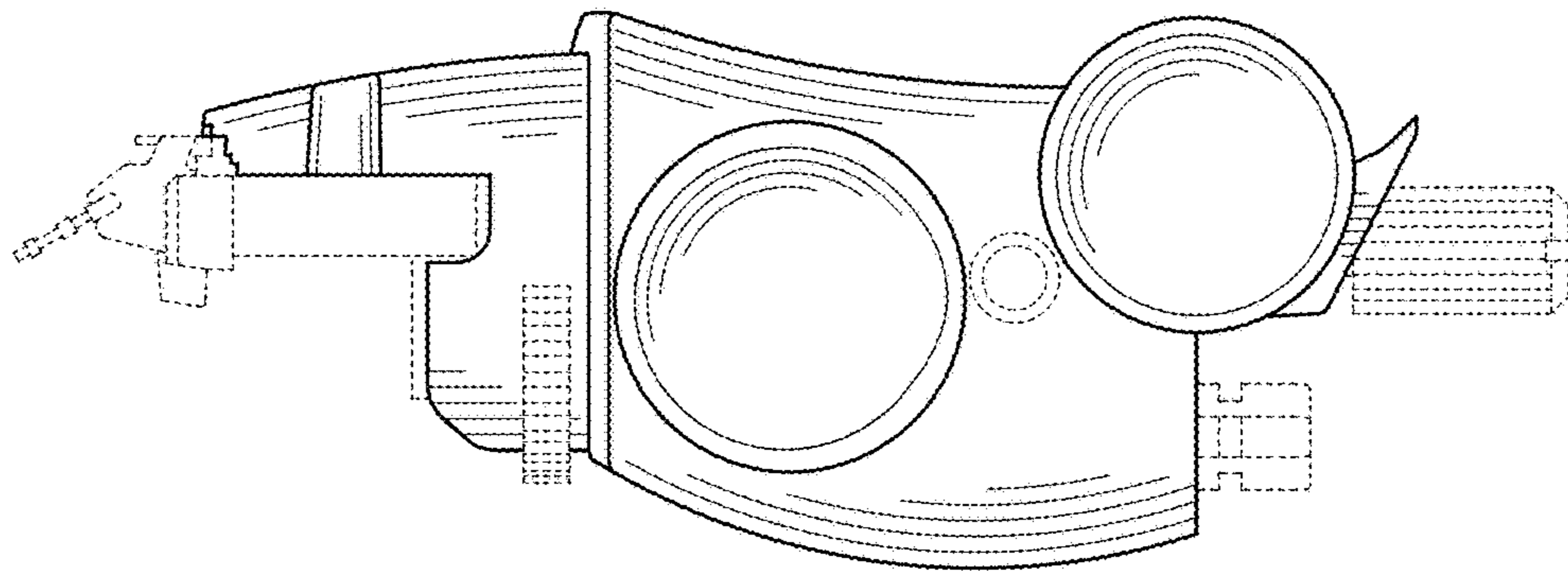


FIG. 37

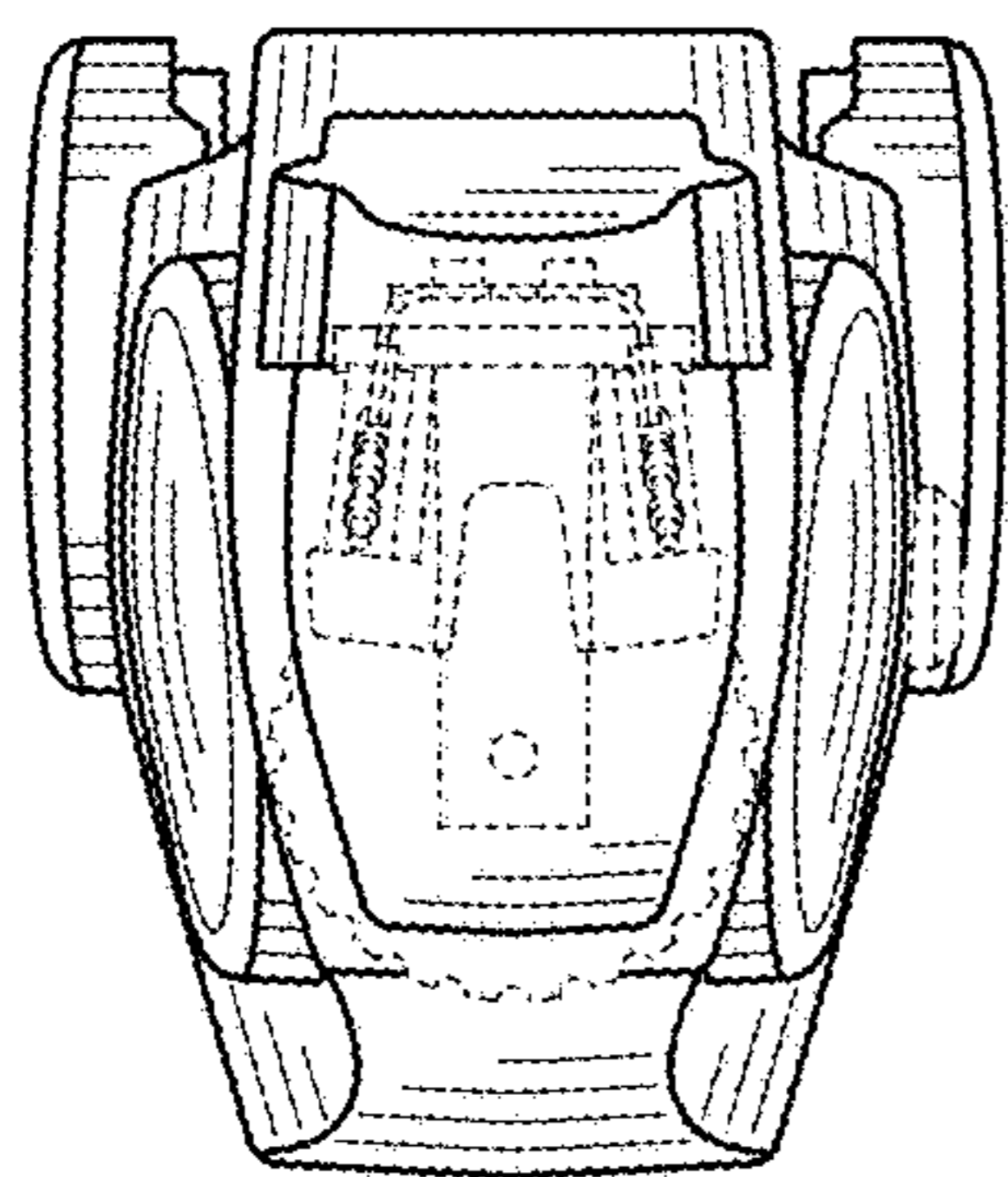


FIG. 38

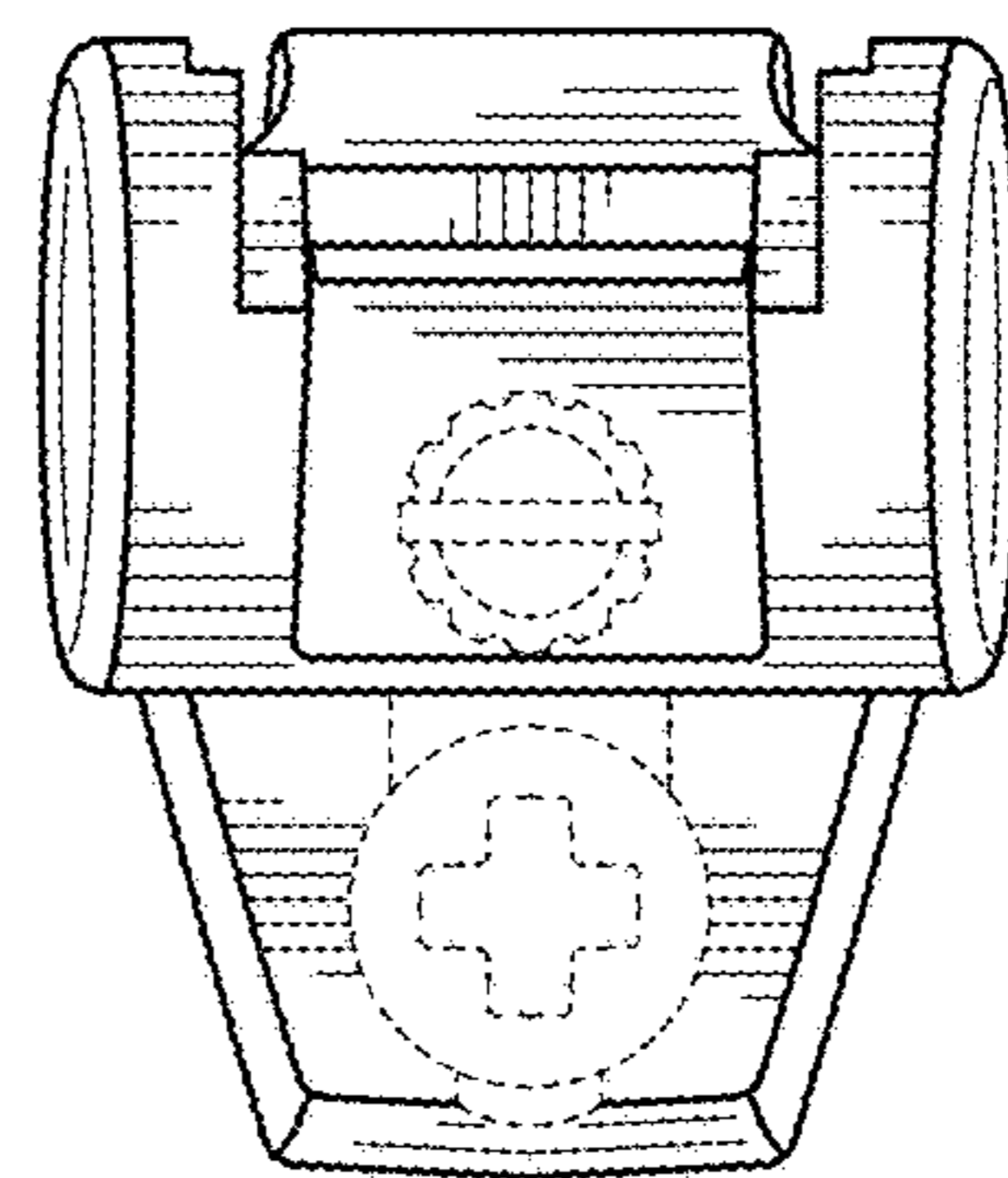


FIG. 39

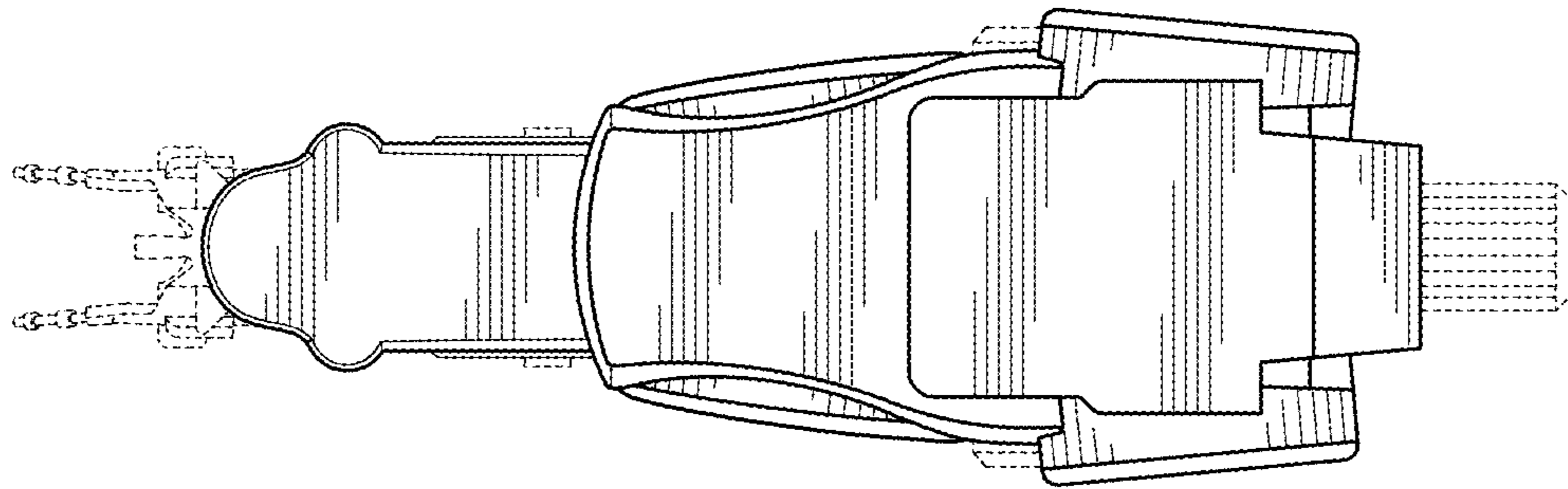


FIG. 40

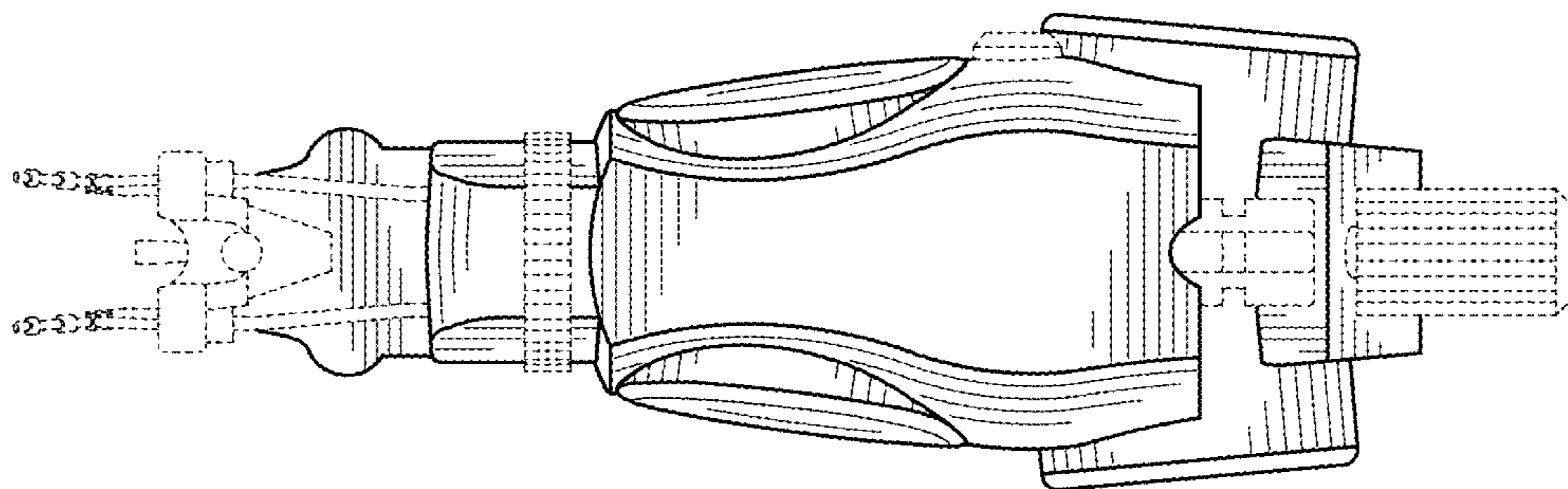


FIG. 41

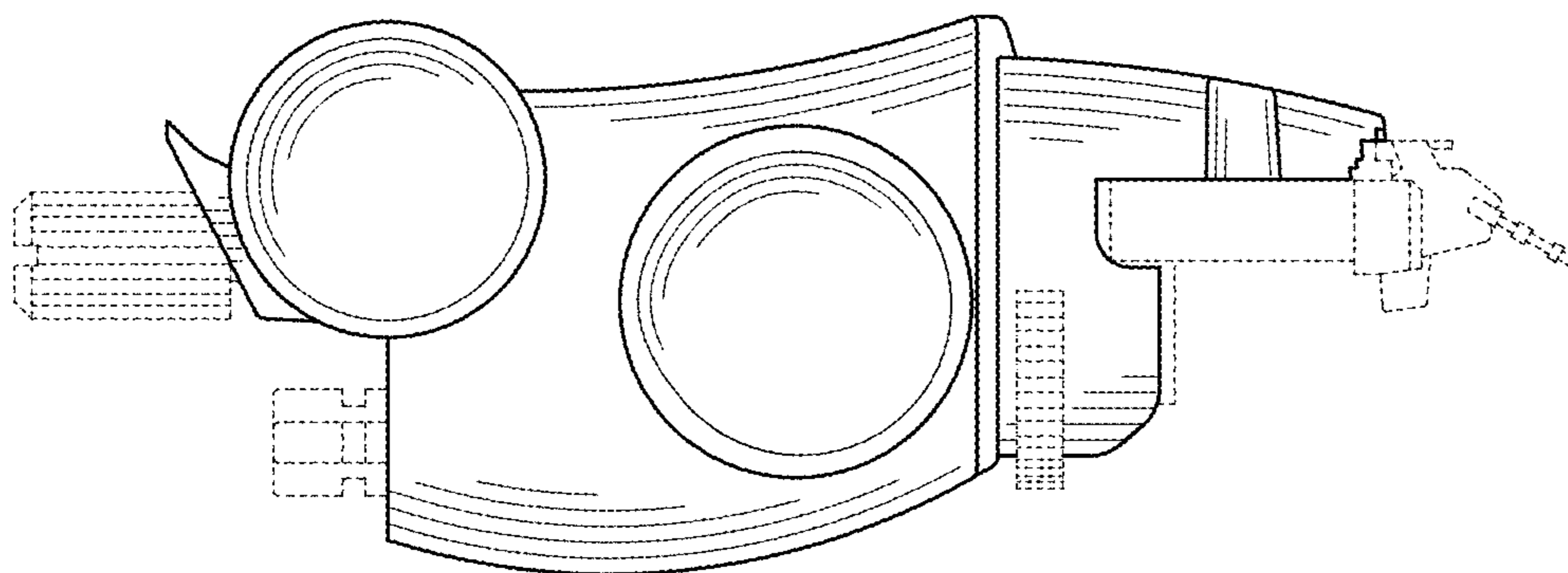


FIG. 42