

US00D786107S

(12) **United States Design Patent**  
**Pileggi et al.**

(10) **Patent No.:** **US D786,107 S**  
(45) **Date of Patent:** **\*\* May 9, 2017**

(54) **CASING FOR ELECTRONIC EQUIPMENT**

(71) Applicant: **TEKTRONIX, INC.**, Beaverton, OR (US)

(72) Inventors: **James D. Pileggi**, Beaverton, OR (US);  
**Stephen LaFrance**, Portland, OR (US)

(73) Assignee: **TEKTRONIX, INC.**, Beaverton, OR (US)

(\*\*) Term: **15 Years**

(21) Appl. No.: **29/537,394**

(22) Filed: **Aug. 25, 2015**

(51) **LOC (10) Cl.** ..... **10-04**

(52) **U.S. Cl.**  
USPC ..... **D10/78**

(58) **Field of Classification Search**  
USPC ..... D10/46, 75, 76, 78

(Continued)

(56) **References Cited**

U.S. PATENT DOCUMENTS

D355,609 S \* 2/1995 Lane ..... D10/78  
D541,685 S \* 5/2007 Bradford ..... D10/78

(Continued)

*Primary Examiner* — Antoine D Davis

(74) *Attorney, Agent, or Firm* — Michael A. Nelson;  
Marger Johnson

(57) **CLAIM**

The ornamental design for a casing for electronic equipment,  
as shown and described.

**DESCRIPTION**

FIG. 1 is a perspective view of a first embodiment of a casing for electronic equipment.

FIG. 2 is a top view of the casing for electronic equipment of FIG. 1. The bottom view is substantively identical to the top view.

FIG. 3 is a front view of the casing for electronic equipment of FIG. 1. The rear view is substantively identical to the front view.

FIG. 4 is a right side view of the casing for electronic equipment of FIG. 1. The left side view is substantively identical to the right side view.

FIG. 5 is a perspective view of a second embodiment of a casing for electronic equipment.

FIG. 6 is a top view of the casing for electronic equipment of FIG. 5. The bottom view is substantively identical to the top view.

FIG. 7 is a front view of the casing for electronic equipment of FIG. 5. The rear view is substantively identical to the front view.

FIG. 8 is a right side view of the casing for electronic equipment of FIG. 5. The left side view is substantively identical to the right side view.

FIG. 9 is a perspective view of a third embodiment of a casing for electronic equipment.

FIG. 10 is a top view of the casing for electronic equipment of FIG. 9. The bottom view is substantively identical to the top view.

FIG. 11 is a front view of the casing for electronic equipment of FIG. 9. The rear view is substantively identical to the front view.

FIG. 12 is a right side view of the casing for electronic equipment of FIG. 9. The left side view is substantively identical to the right side view.

FIG. 13 is a perspective view of a fourth embodiment of a casing for electronic equipment.

FIG. 14 is a top view of the casing for electronic equipment of FIG. 13. The bottom view is substantively identical to the top view.

FIG. 15 is a front view of the casing for electronic equipment of FIG. 13. The rear view is substantively identical to the front view.

FIG. 16 is a right side view of the casing for electronic equipment of FIG. 13. The left side view is substantively identical to the right side view.

(Continued)

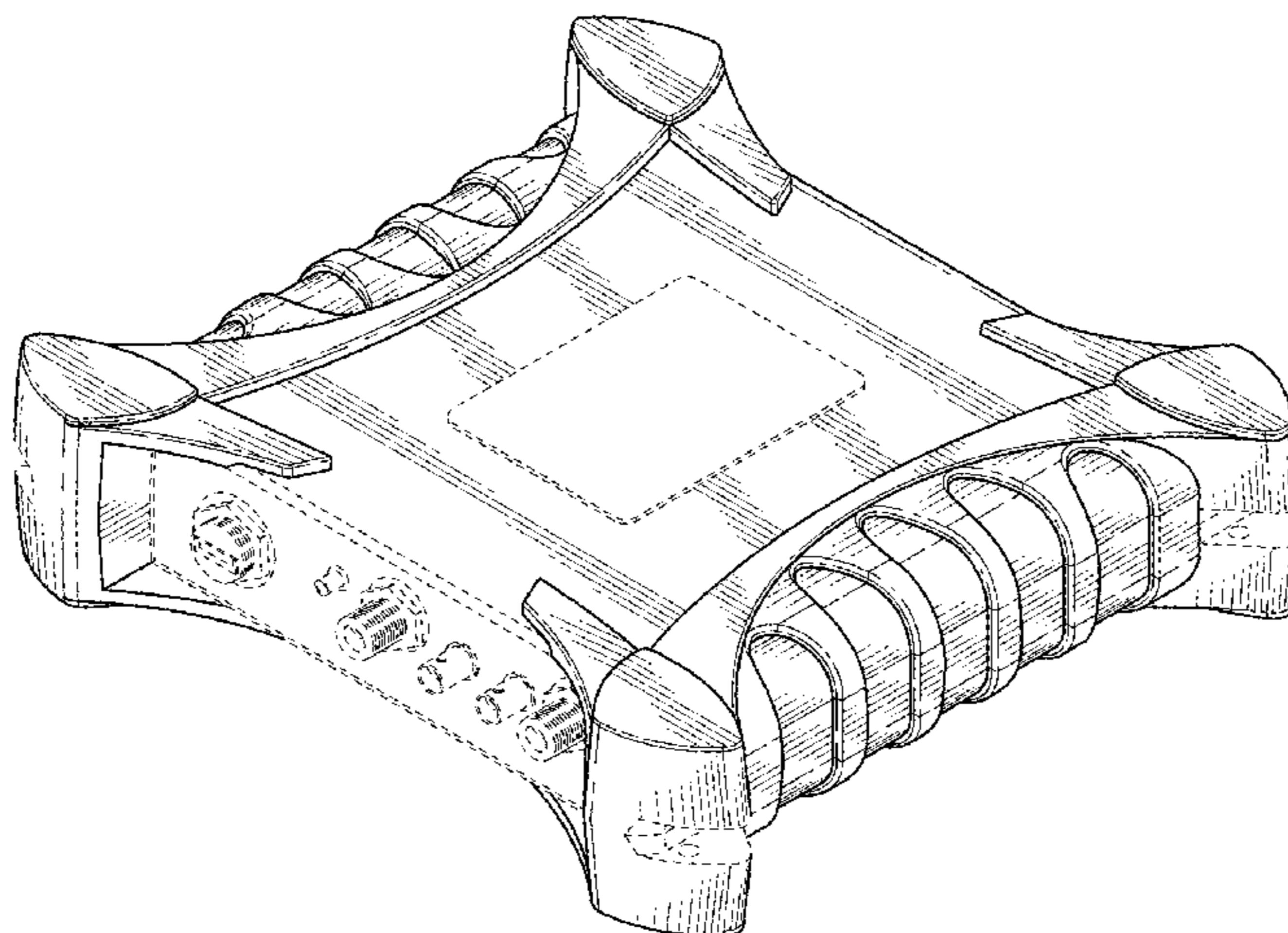


FIG. 17 is a perspective view of a fifth embodiment of a casing for electronic equipment.

FIG. 18 is a top view of the casing for electronic equipment of FIG. 17. The bottom view is substantively identical to the top view.

FIG. 19 is a front view of the casing for electronic equipment of FIG. 17. The rear view is substantively identical to the front view.

FIG. 20 is a right side view of the casing for electronic equipment of FIG. 17. The left side view is substantively identical to the right side view.

FIG. 21 is a perspective view of a sixth embodiment of a casing for electronic equipment.

FIG. 22 is a top view of the casing for electronic equipment of FIG. 21. The bottom view is substantively identical to the top view.

FIG. 23 is a front view of the casing for electronic equipment of FIG. 21. The rear view is substantively identical to the front view; and,

FIG. 24 is a right side view of the casing for electronic equipment of FIG. 21. The left side view is substantively identical to the right side view.

The portions of the casing for electronic equipment shown in broken lines form no part of the claimed design.

**1 Claim, 18 Drawing Sheets**

(58) **Field of Classification Search**

CPC ..... G06F 17/14; G01R 23/16; G01R 23/163;  
G01R 23/165; G01R 23/167; G01R  
23/17; G01R 23/173; G01R 23/175;  
G01R 23/177; G01R 23/18; G01R 23/20;  
G01R 23/005; H04N 17/00

See application file for complete search history.

(56) **References Cited**

U.S. PATENT DOCUMENTS

|           |    |   |         |          |       |                       |
|-----------|----|---|---------|----------|-------|-----------------------|
| D575,174  | S  | * | 8/2008  | Morel    | ..... | D10/78                |
| D579,361  | S  | * | 10/2008 | Wen      | ..... | D10/78                |
| 8,054,088 | B2 | * | 11/2011 | Delforce | ..... | H04B 17/23<br>324/612 |
| D725,519  | S  | * | 3/2015  | Drew     | ..... | D10/75                |
| D754,009  | S  | * | 4/2016  | Joyce    | ..... | D10/78                |

\* cited by examiner

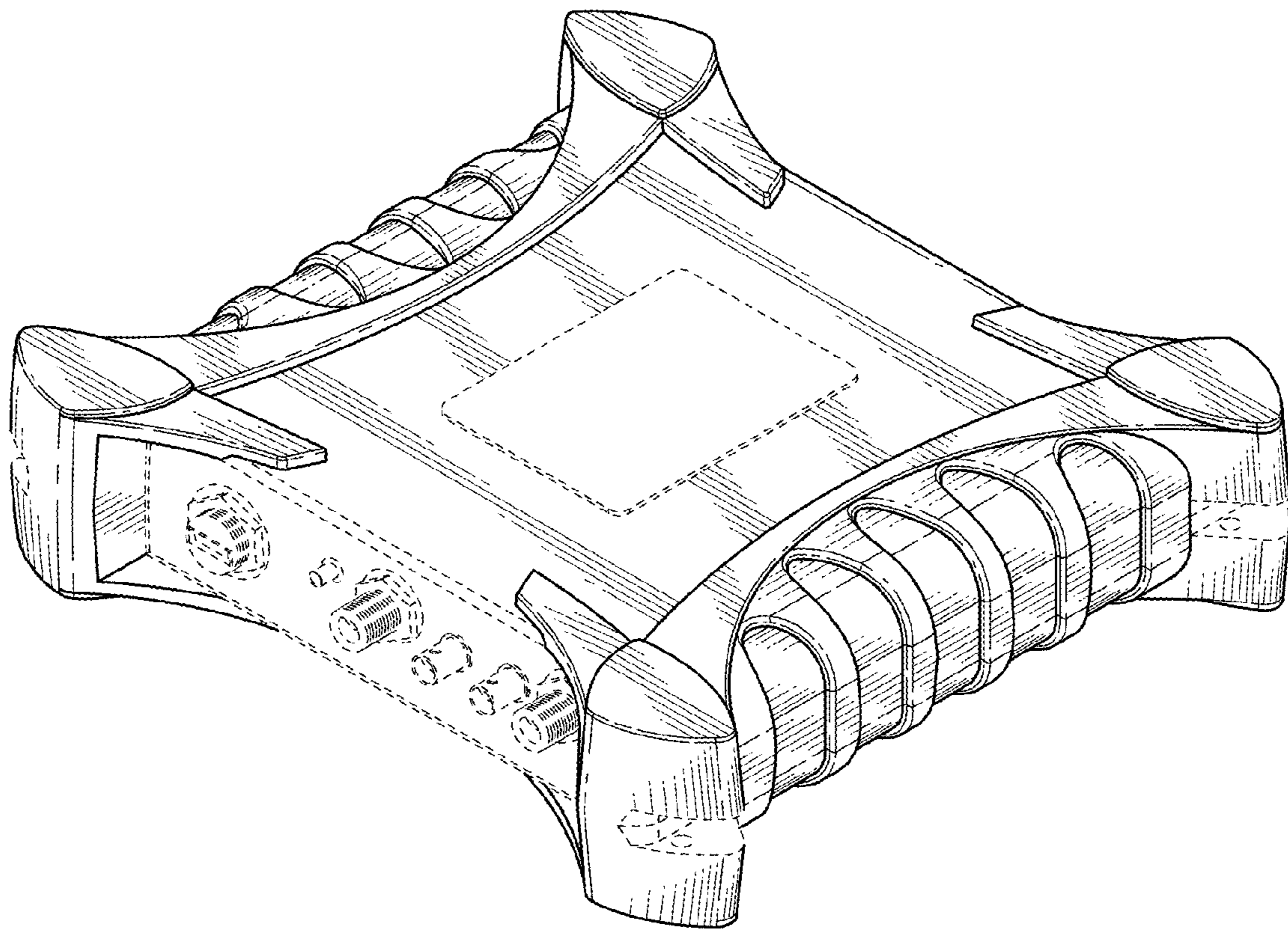


FIG. 1

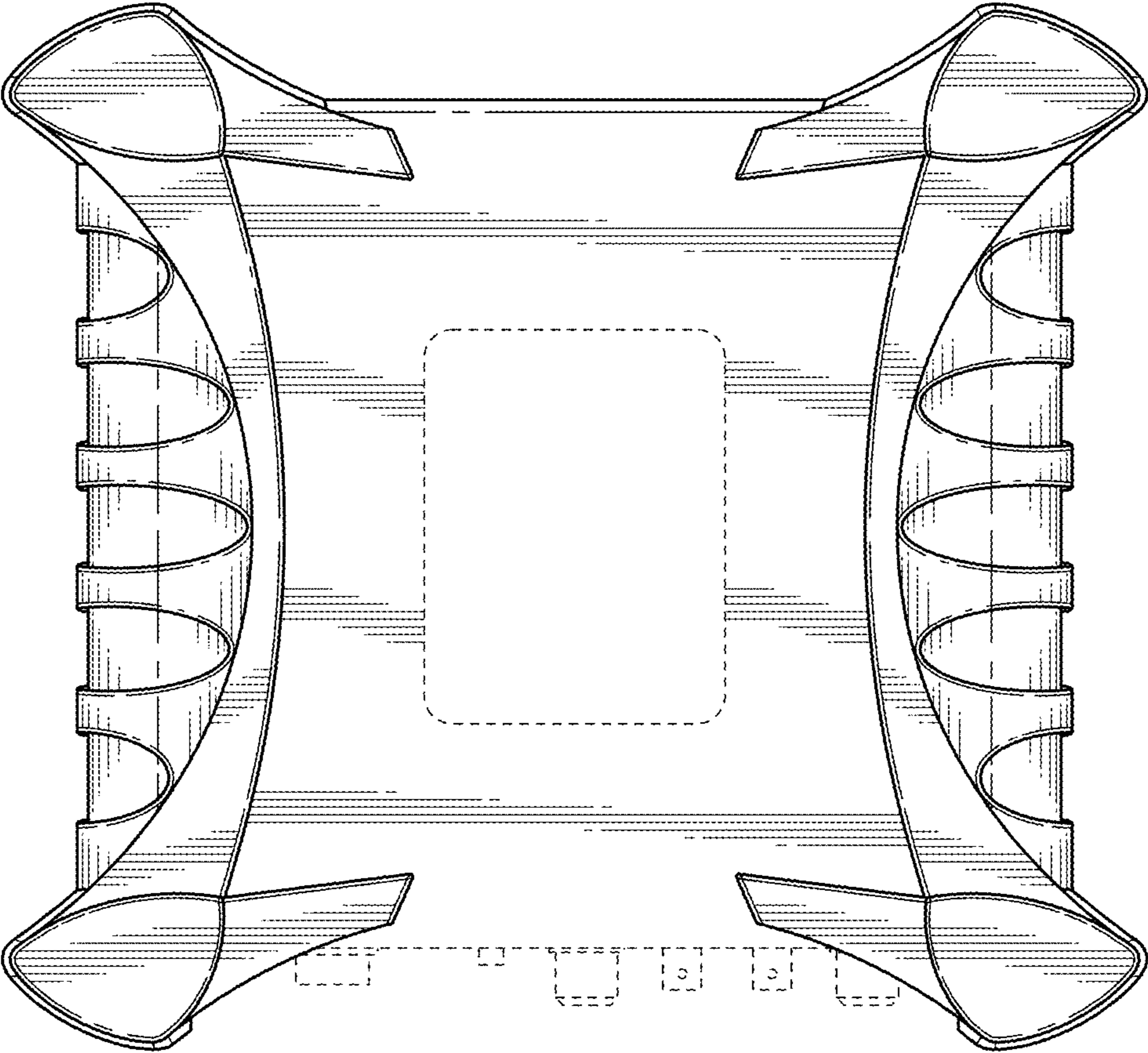


FIG. 2

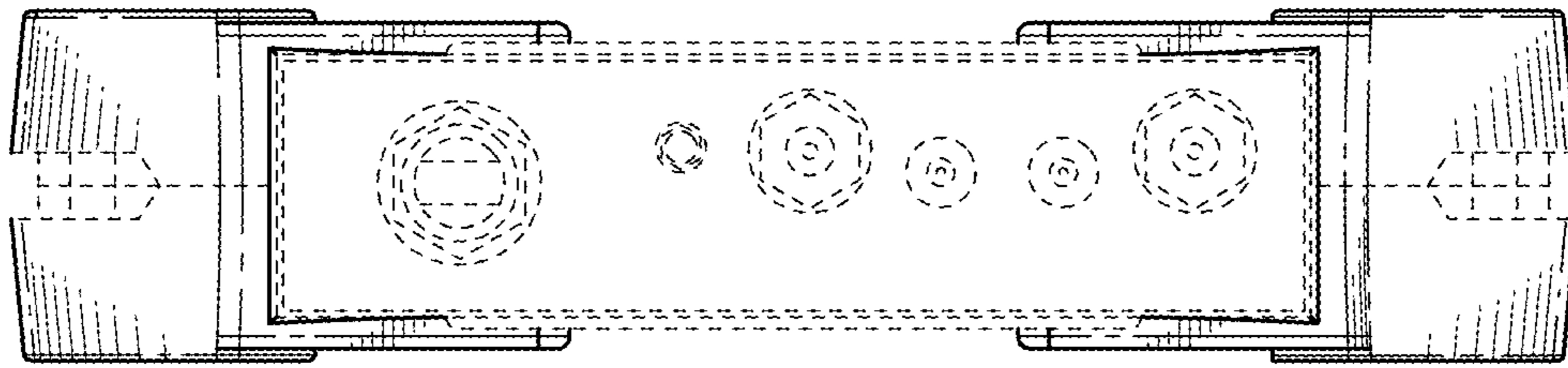


FIG. 3

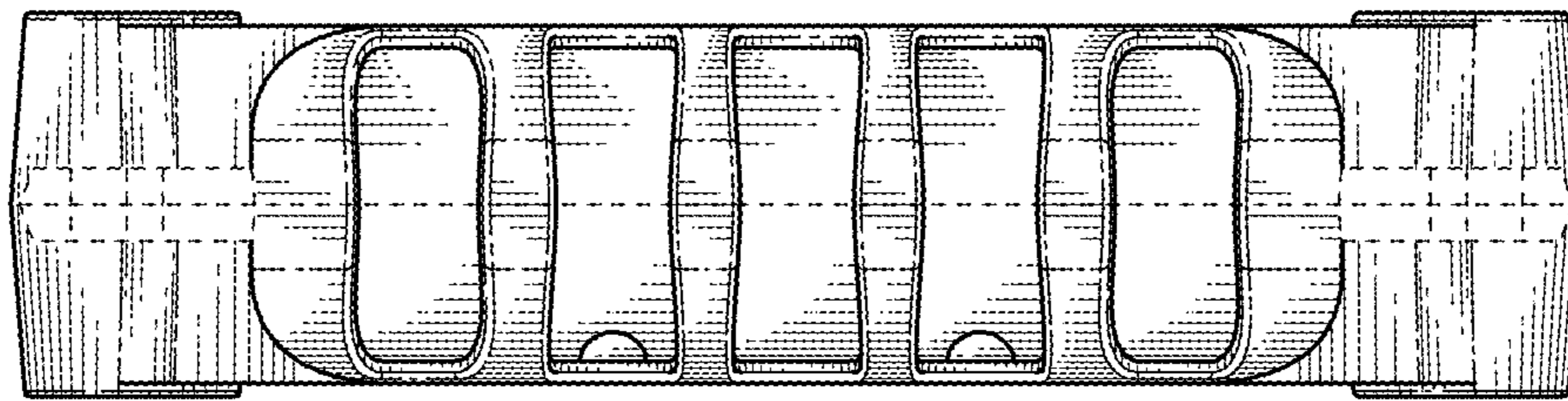


FIG. 4

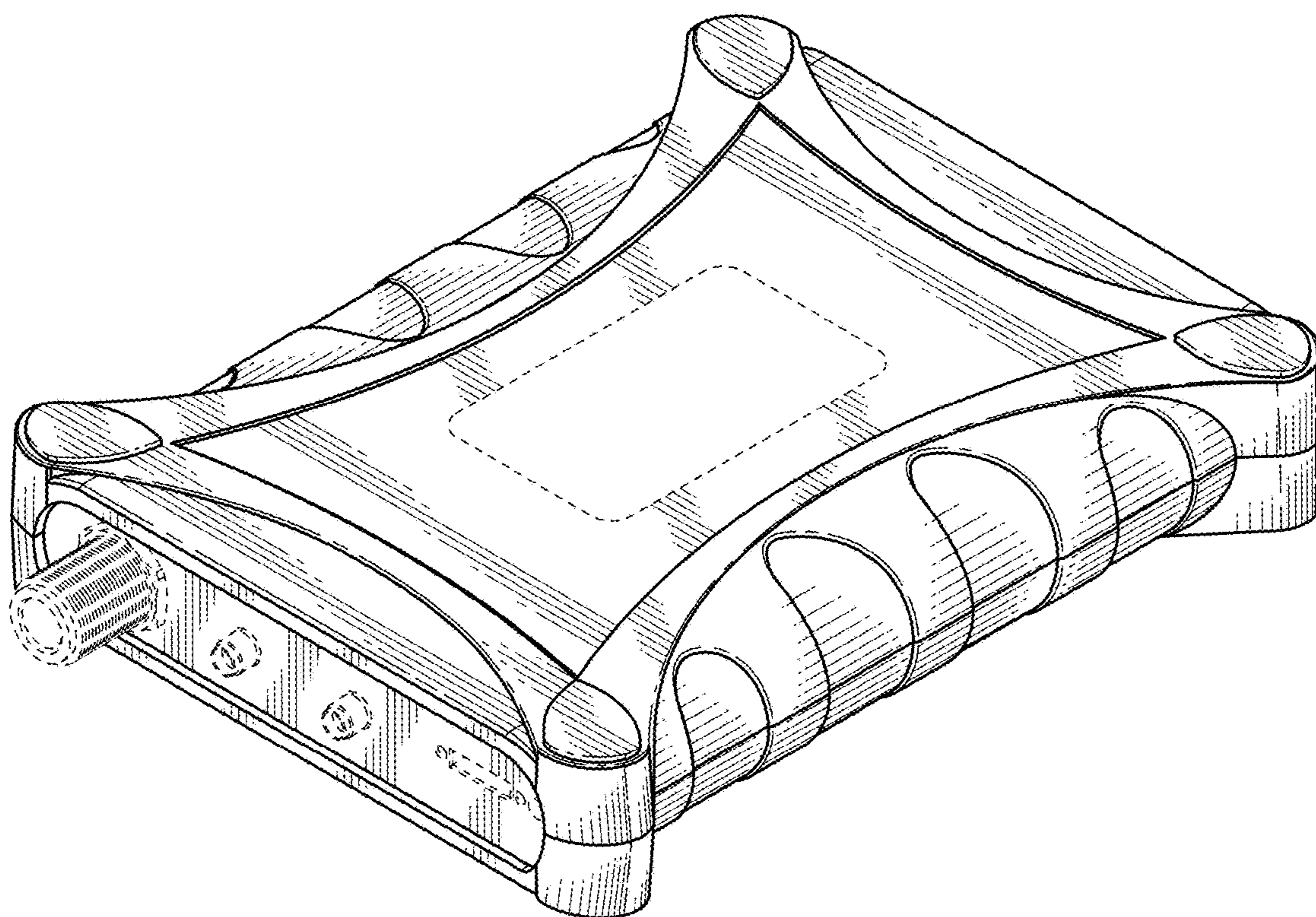


FIG. 5

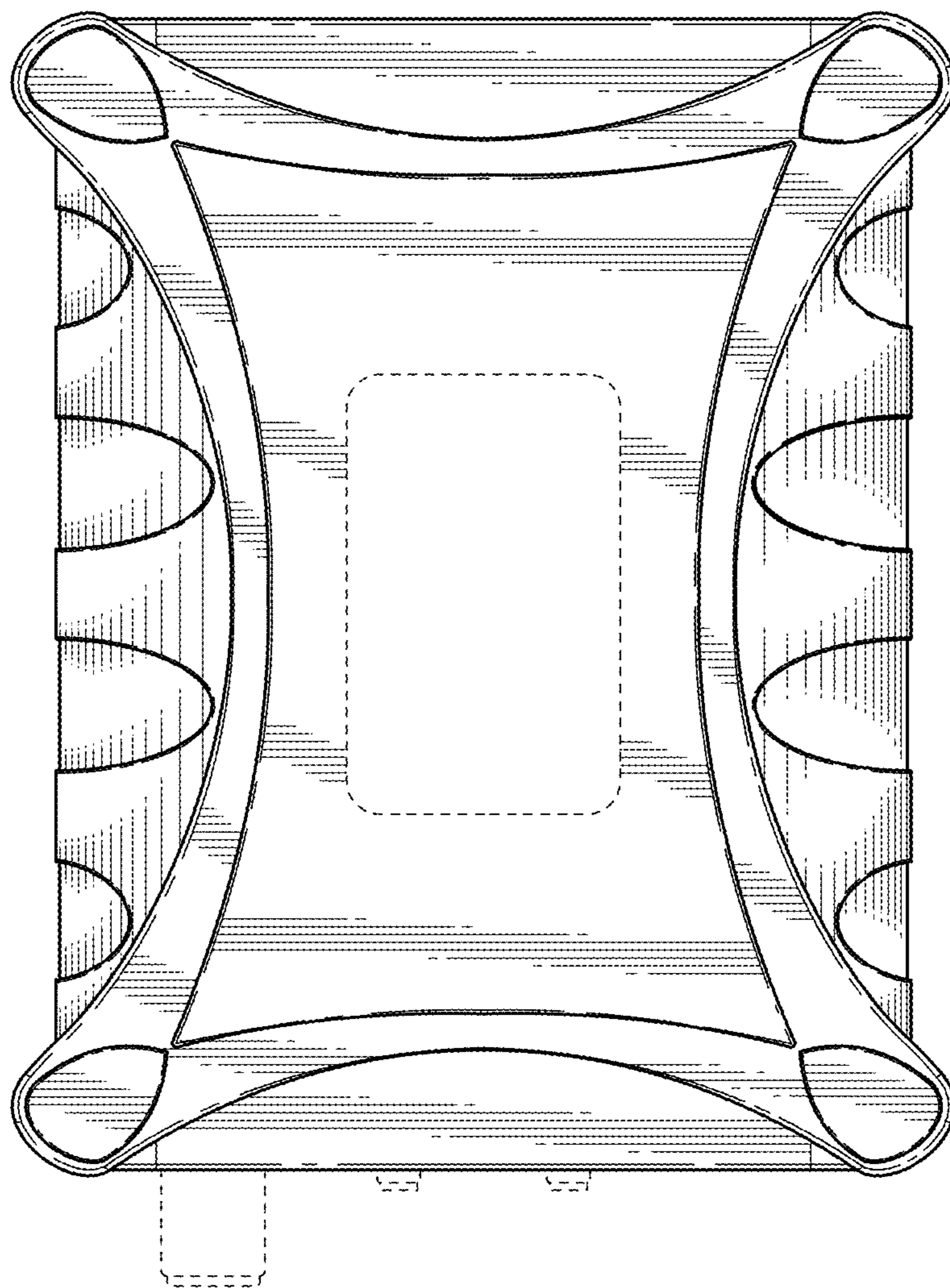


FIG. 6

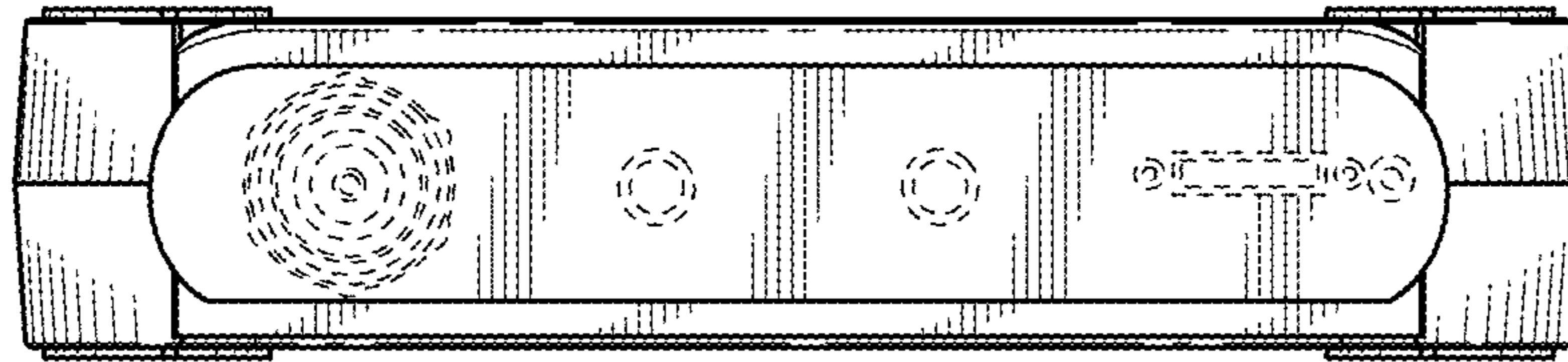


FIG. 7

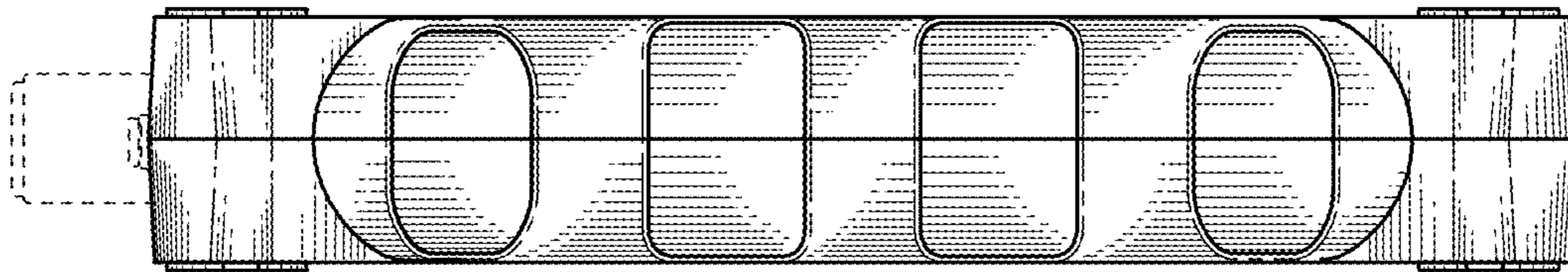


FIG. 8



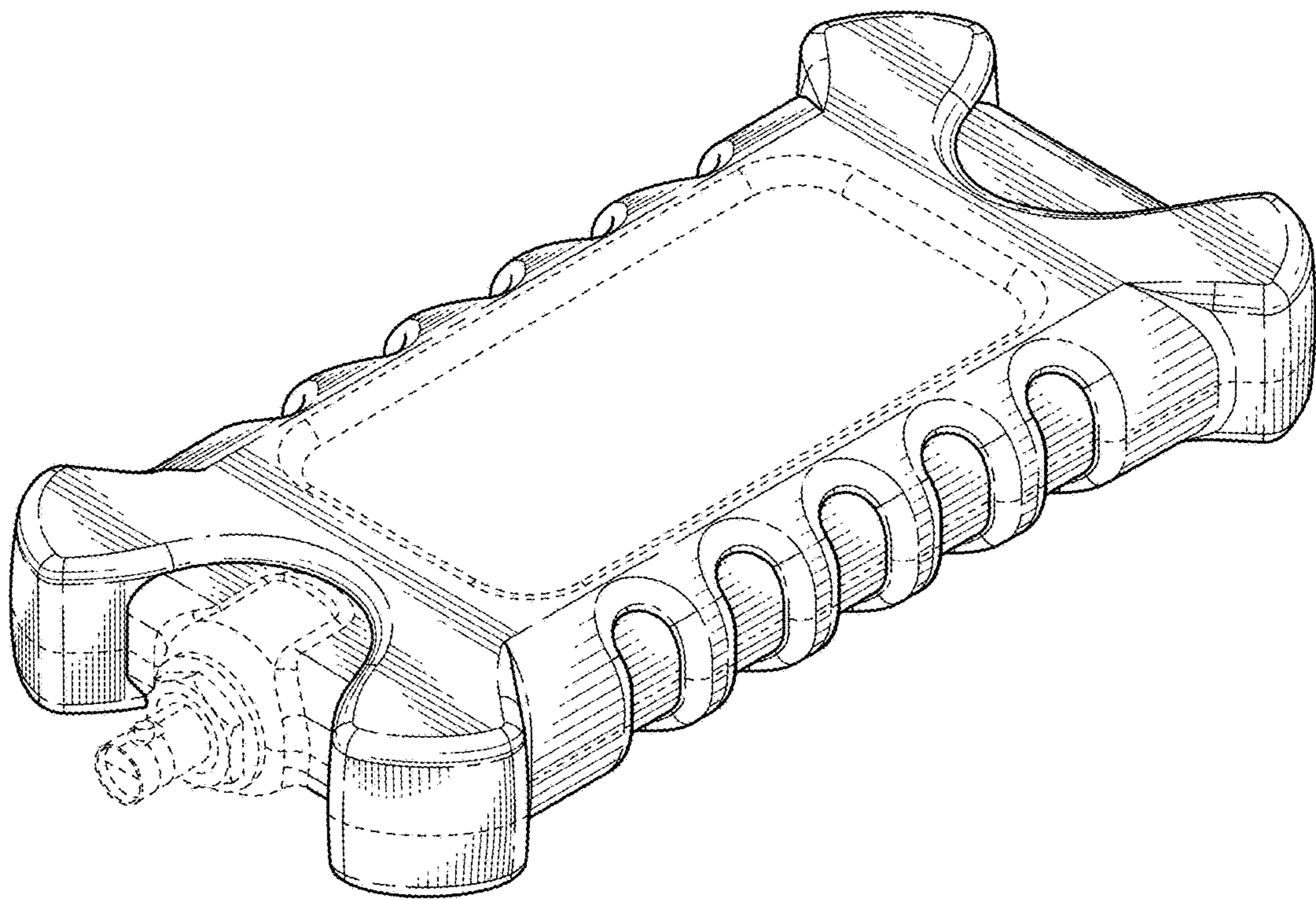


FIG. 9

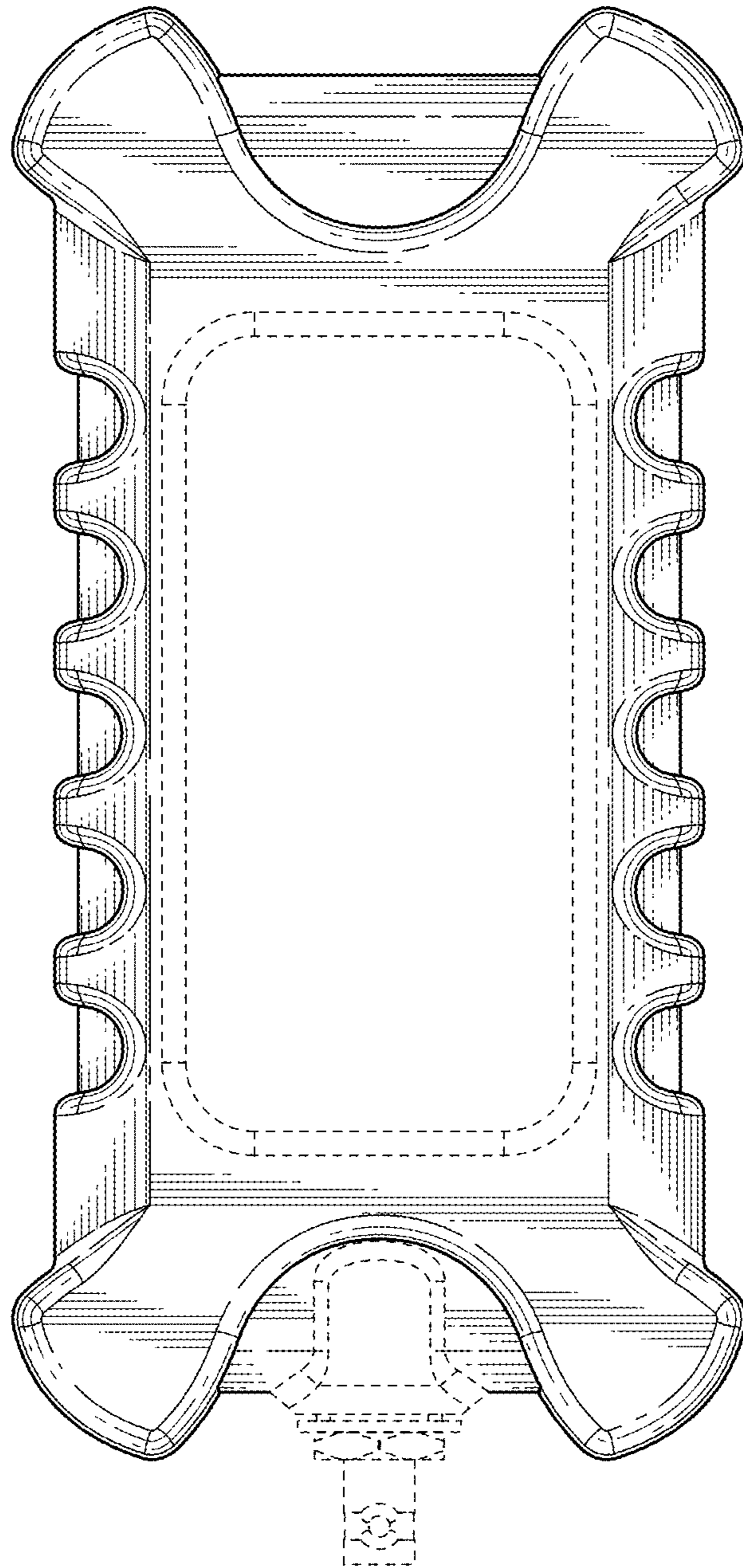


FIG. 10

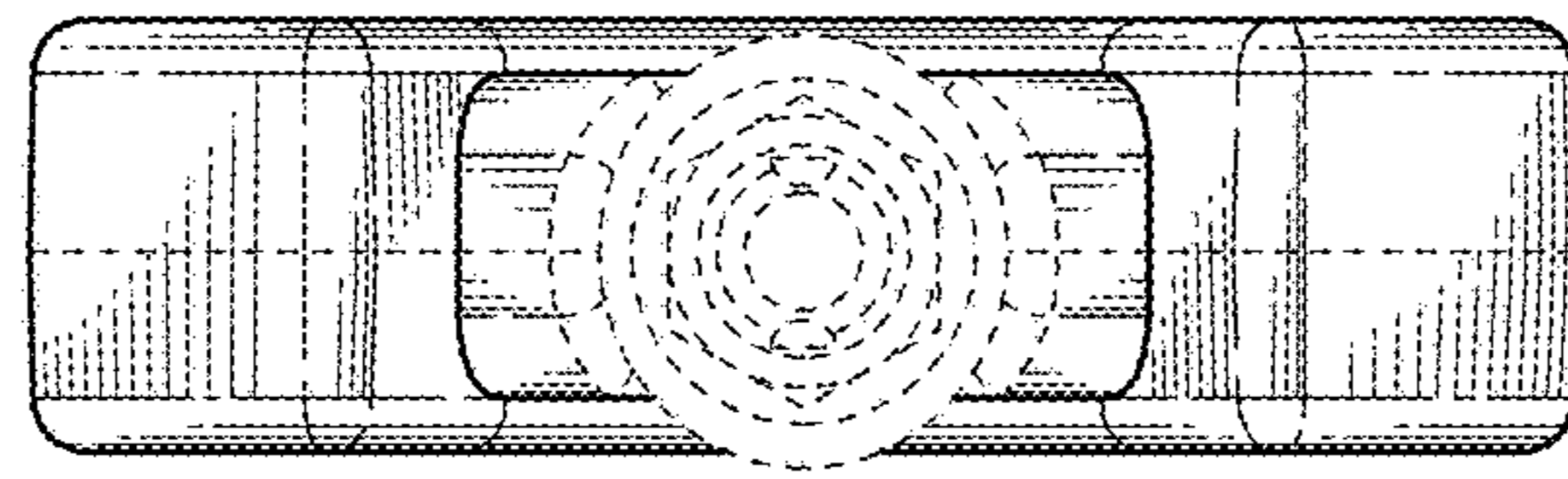


FIG. 11

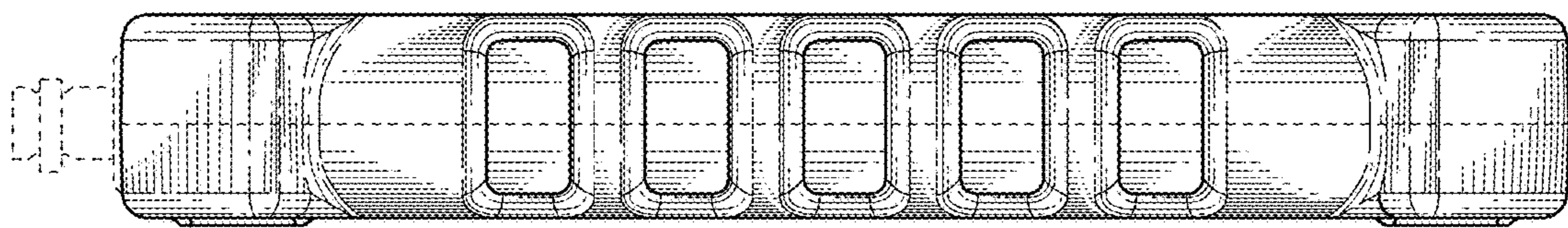


FIG. 12

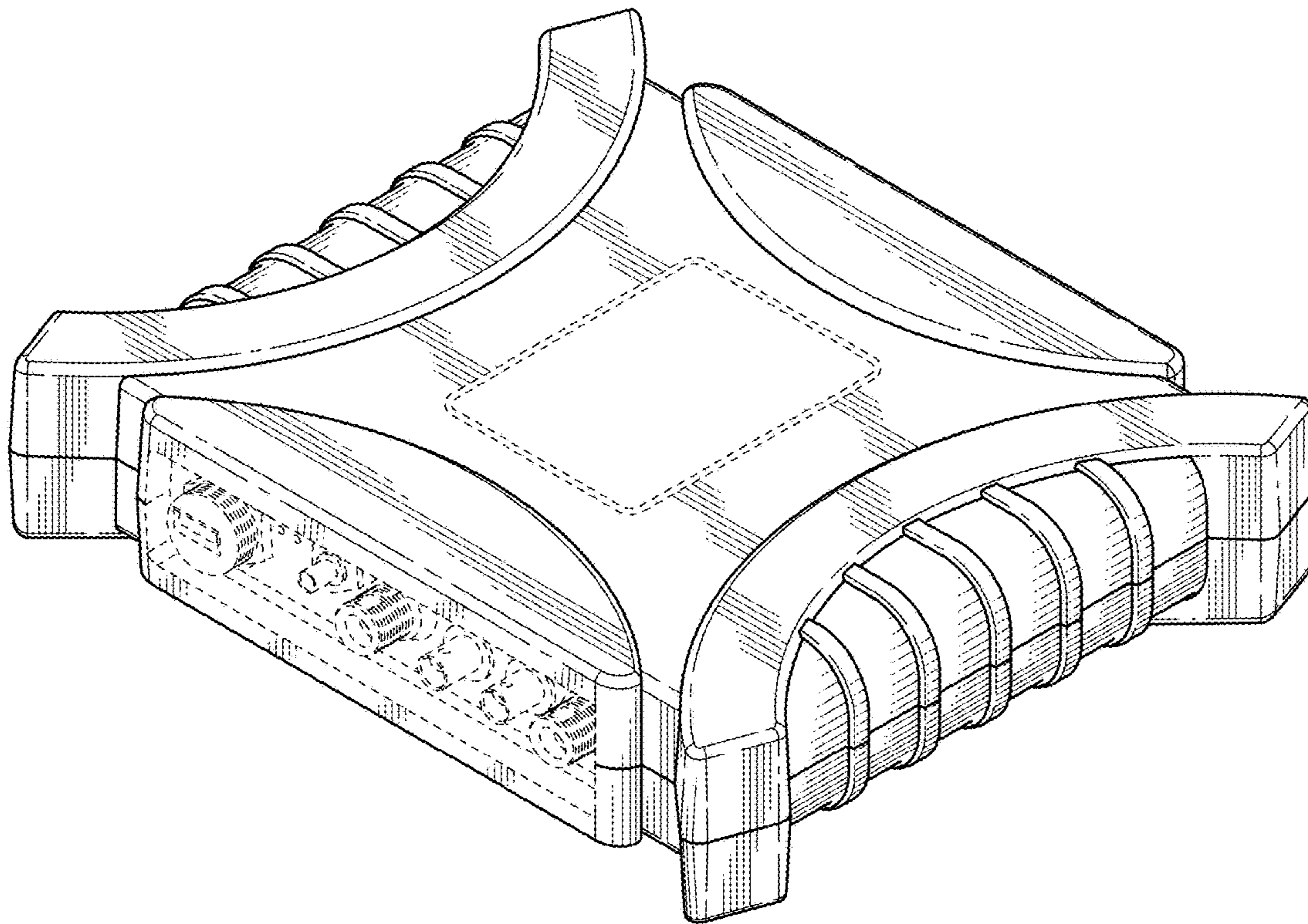


FIG. 13

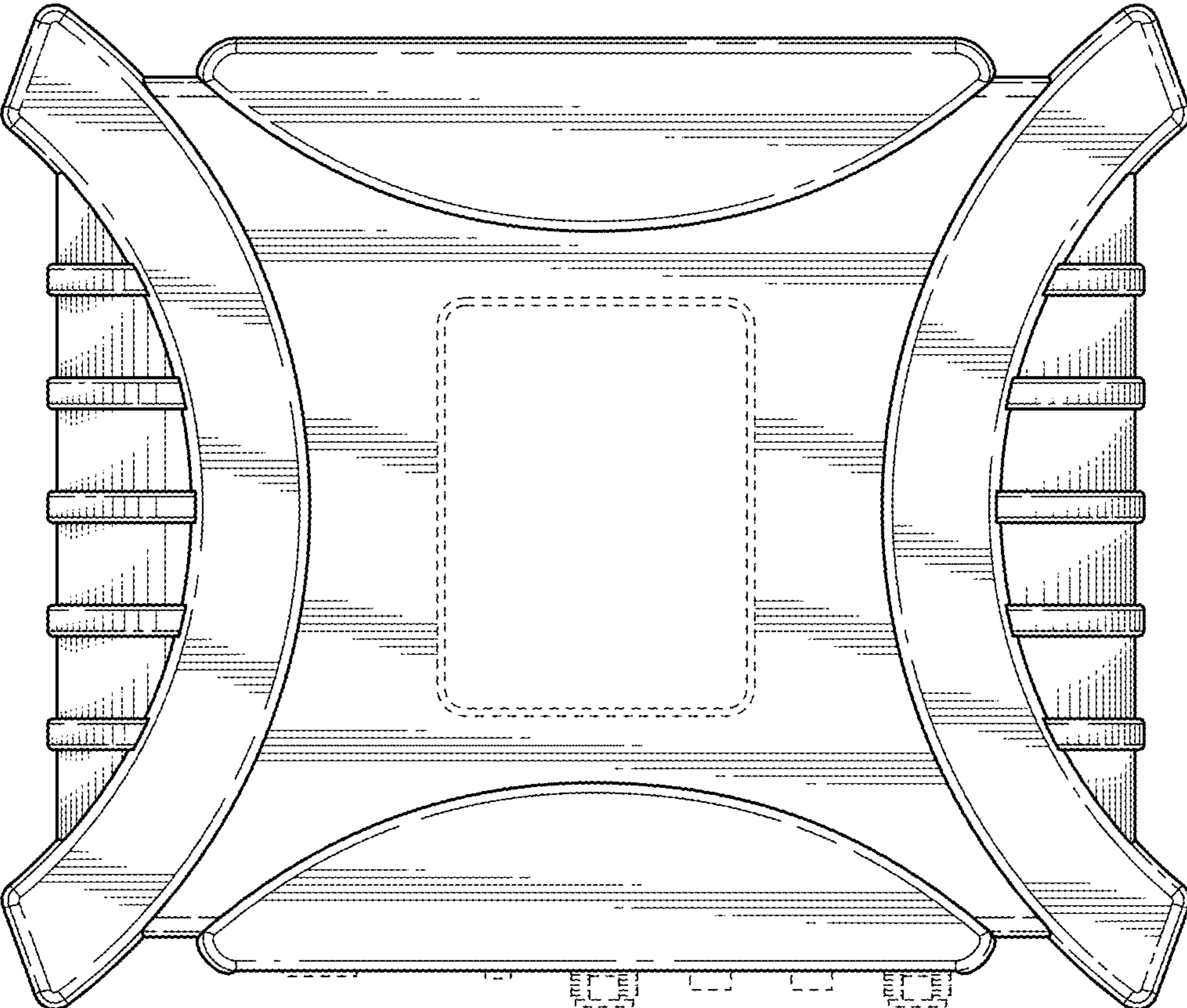


FIG. 14

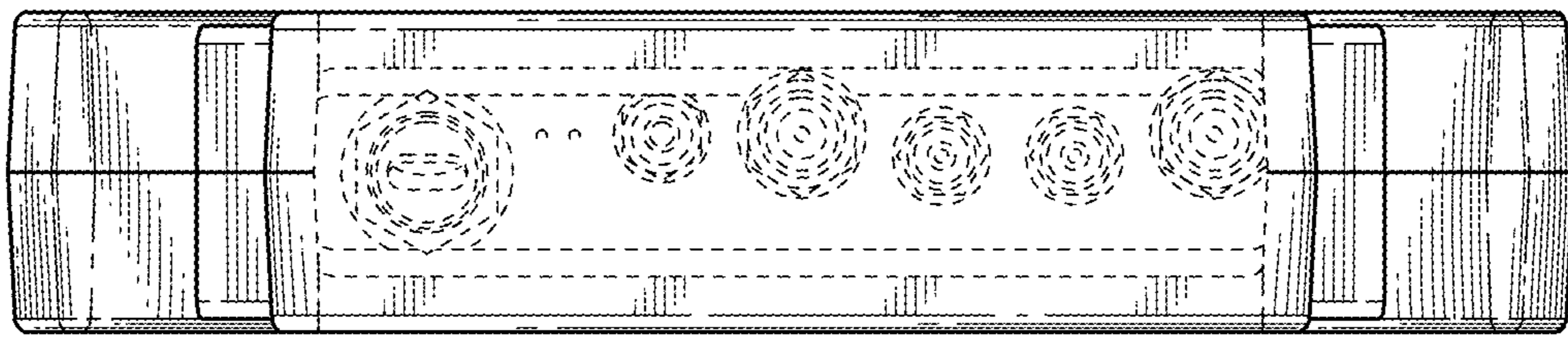


FIG. 15

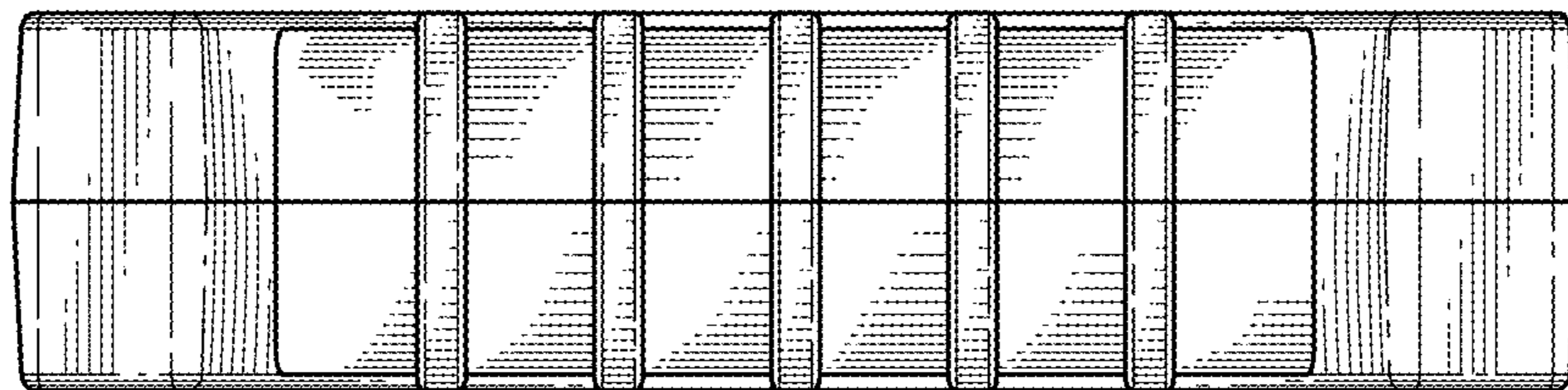


FIG. 16

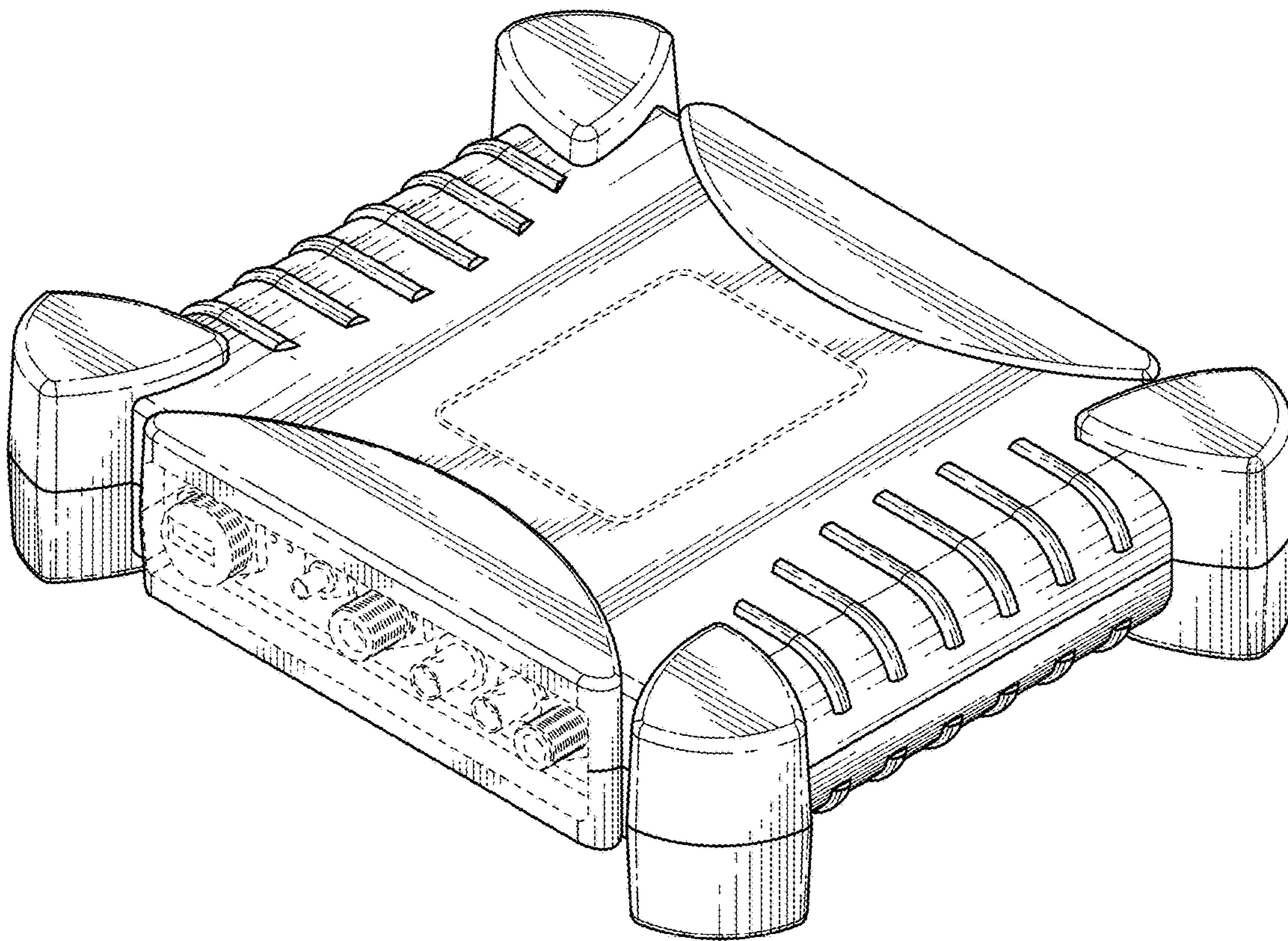


FIG. 17

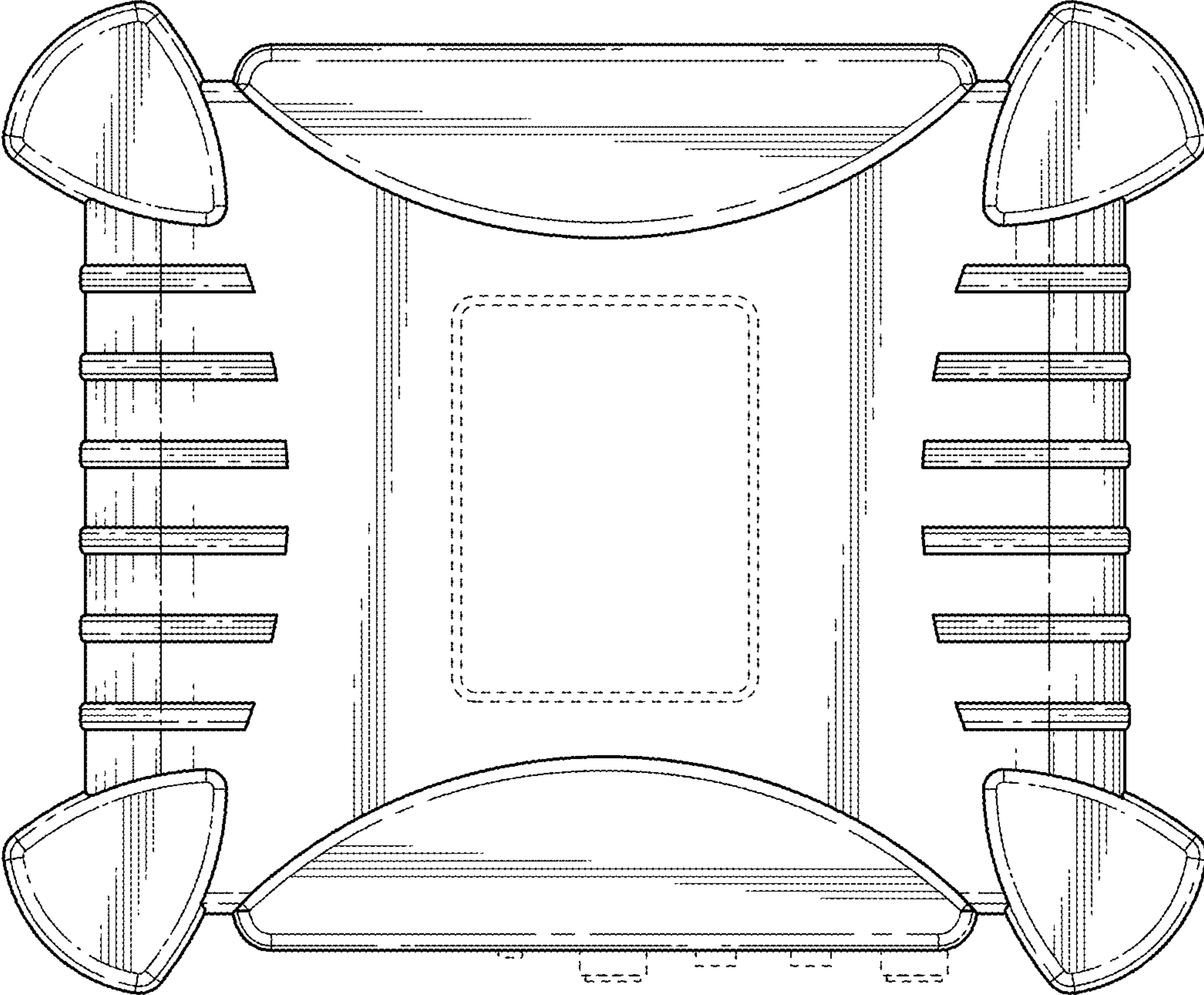


FIG. 18



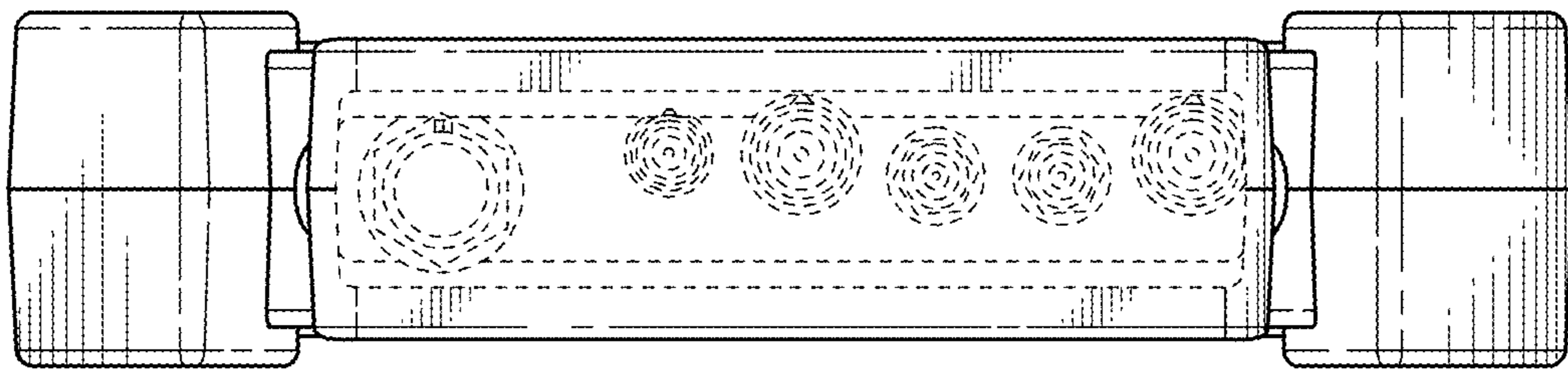


FIG. 19

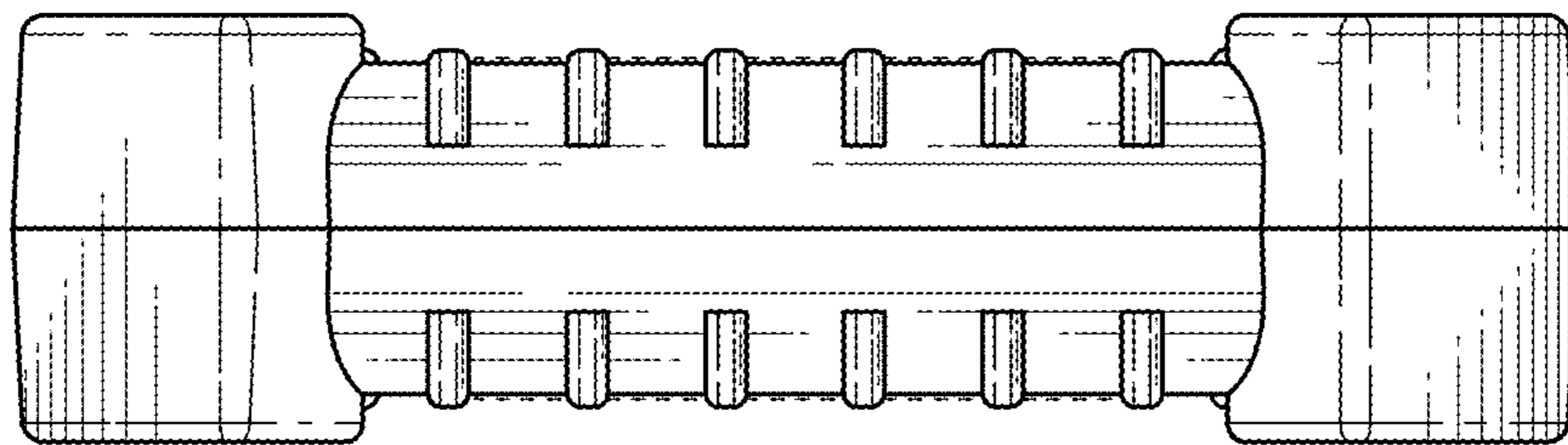


FIG. 20

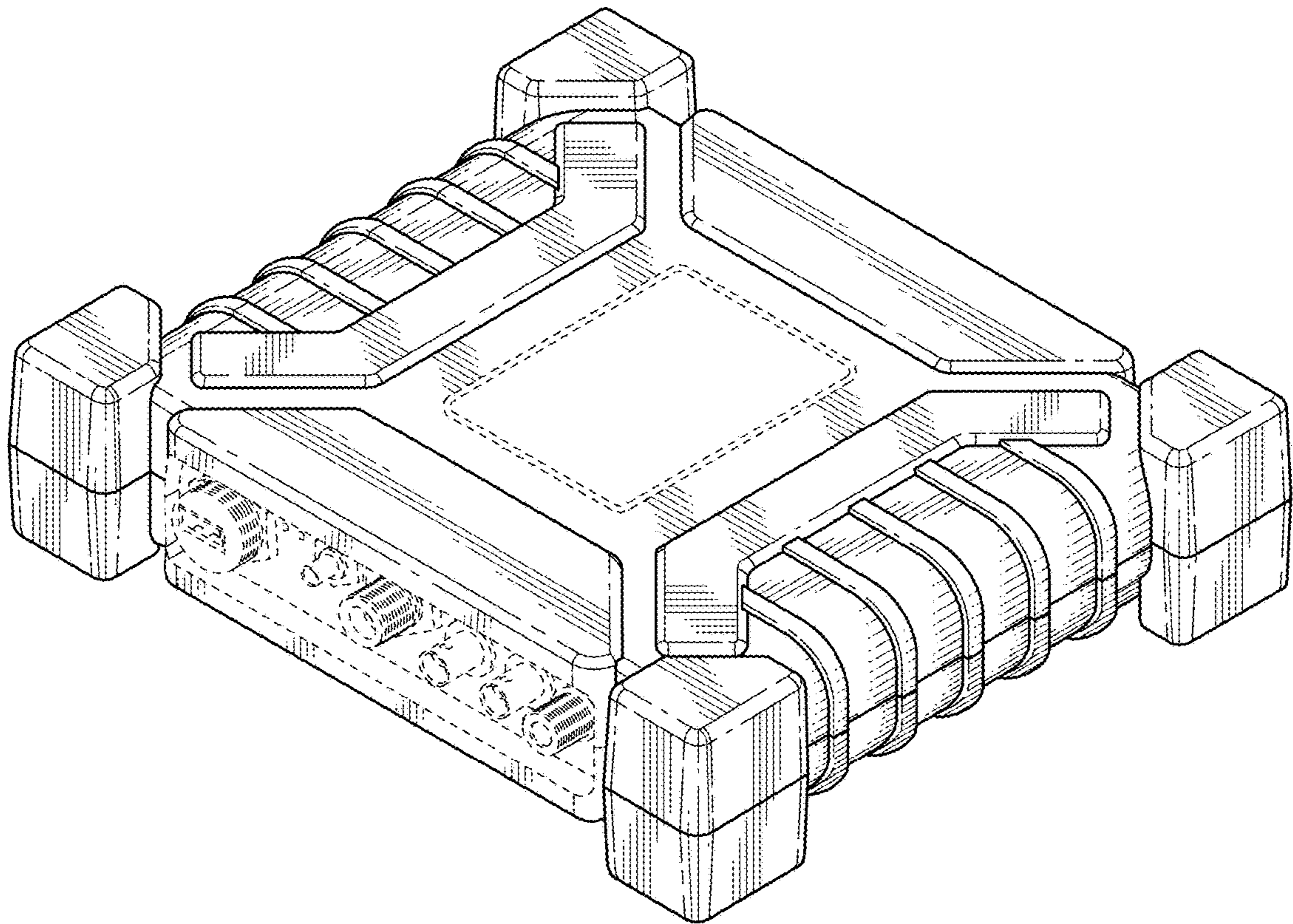


FIG. 21

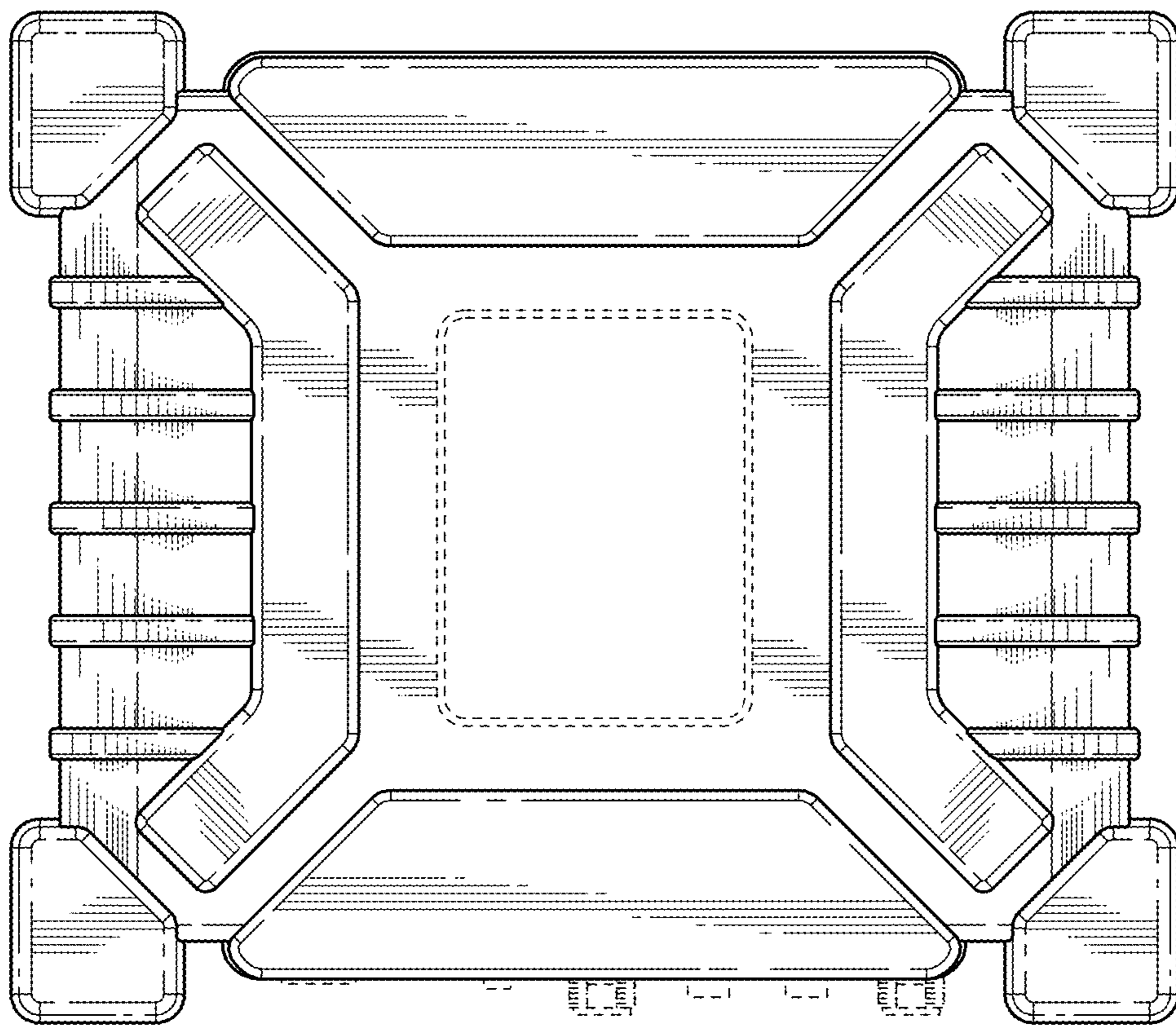


FIG. 22

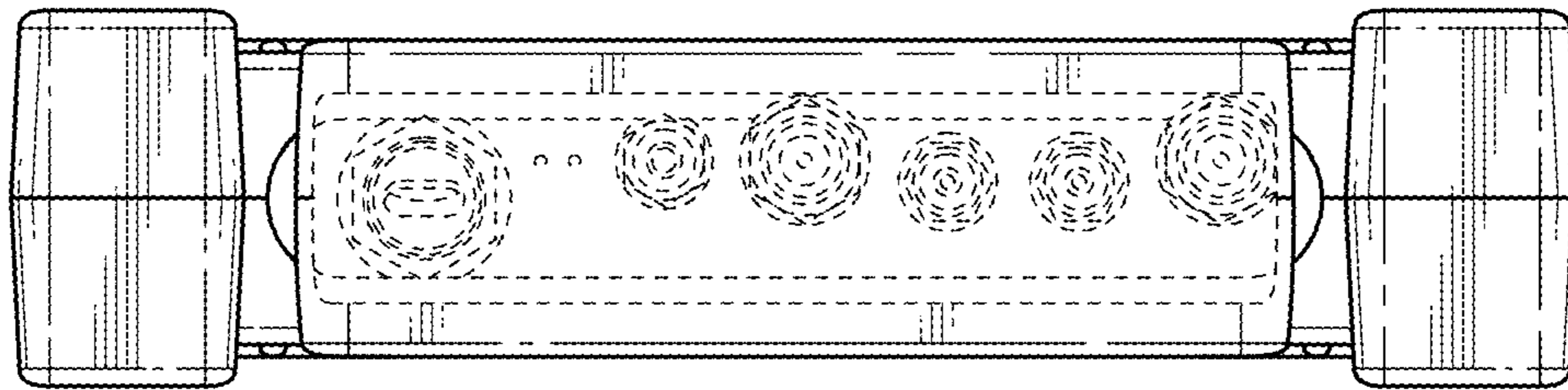


FIG. 23

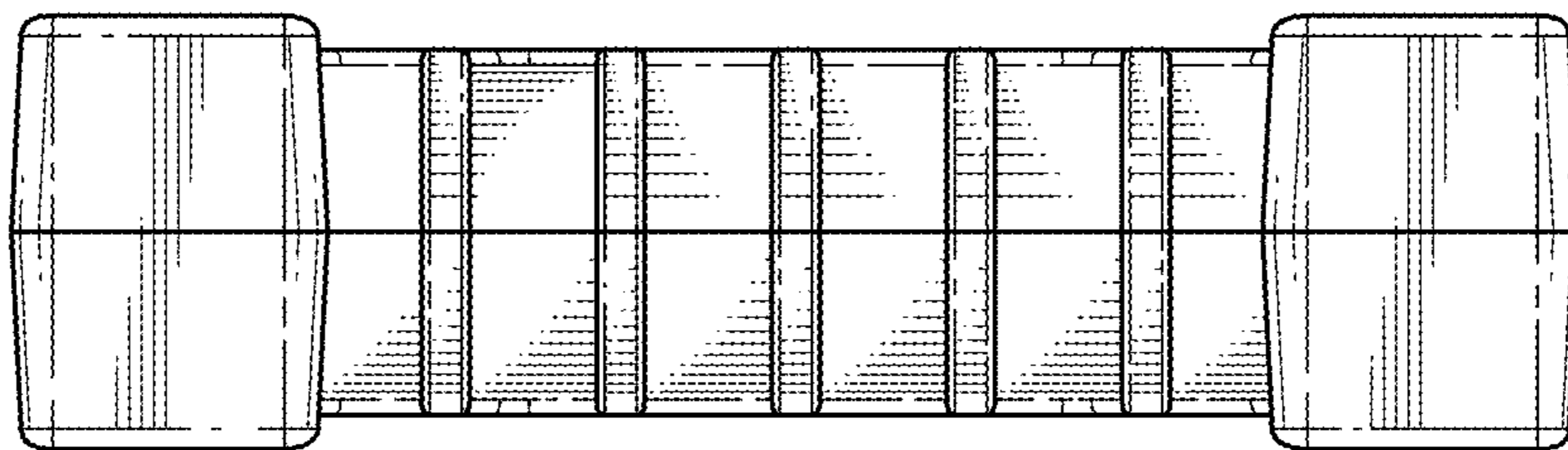


FIG. 24