



US00D786106S

(12) **United States Design Patent** (10) **Patent No.:** **US D786,106 S**  
**Yau** (45) **Date of Patent:** **\*\* May 9, 2017**

(54) **SENSOR**

(71) Applicant: **Herman Yau**, Sunnyvale, CA (US)  
(72) Inventor: **Herman Yau**, Sunnyvale, CA (US)  
(73) Assignee: **TEND INSIGHTS, INC.**, Fremont, CA (US)

(\*\*) Term: **15 Years**

(21) Appl. No.: **29/540,877**

(22) Filed: **Sep. 29, 2015**

(51) **LOC (10) Cl.** ..... **10-04**

(52) **U.S. Cl.**  
USPC ..... **D10/70; D10/106.6**

(58) **Field of Classification Search**  
USPC ..... D10/46, 65, 70, 106.6, 106.7, 106.8  
CPC .. G01P 13/00; G01P 13/0006; G01P 13/0013;  
G01P 13/002; G01P 13/0026; G01P  
13/0033; G01P 13/004; G01P 13/0046;  
G01P 13/0053; G01P 13/006; G01P  
13/0066; G01P 13/0073; G01P 13/008;  
G01P 13/0086; G01P 13/0093; G08B  
21/00

See application file for complete search history.

(56) **References Cited**

U.S. PATENT DOCUMENTS

D354,243 S \* 1/1995 Soares ..... D10/70  
D671,020 S \* 11/2012 Collins ..... D10/70  
D713,277 S \* 9/2014 Hasegawa ..... D10/106.6  
D761,138 S \* 7/2016 Manabe ..... D10/65

\* cited by examiner

*Primary Examiner* — Antoine D Davis

(74) *Attorney, Agent, or Firm* — Jingming (James) Cai;  
SAC Attorneys LLP

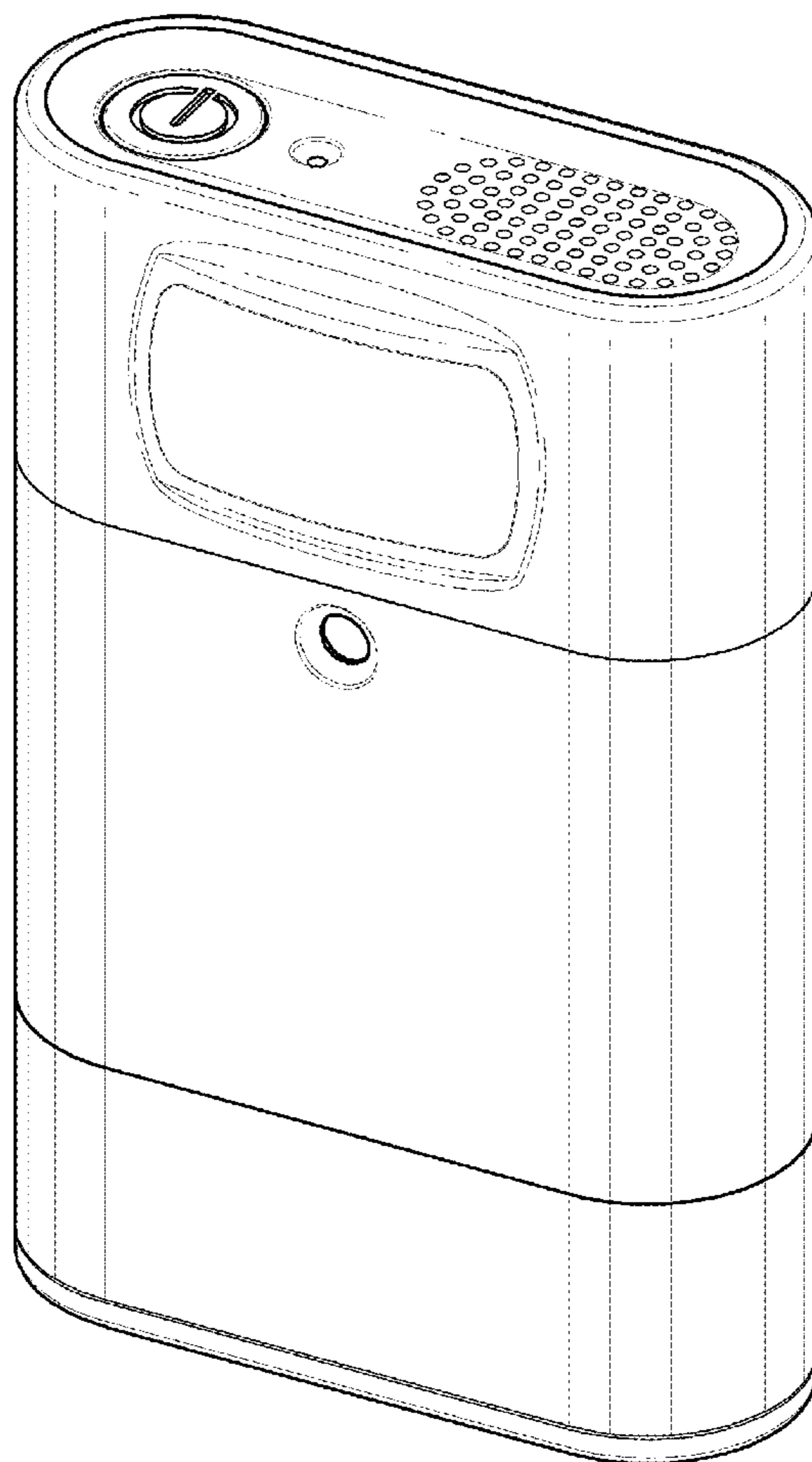
(57) **CLAIM**

I claim the ornamental design for sensor, as shown.

**DESCRIPTION**

FIG. 1 is a top perspective view of sensor;  
FIG. 2 is a front view thereof;  
FIG. 3 is a rear view thereof;  
FIG. 4 is a right side view thereof;  
FIG. 5 is a left side view thereof;  
FIG. 6 is a top view thereof; and,  
FIG. 7 is a bottom view thereof.

**1 Claim, 5 Drawing Sheets**



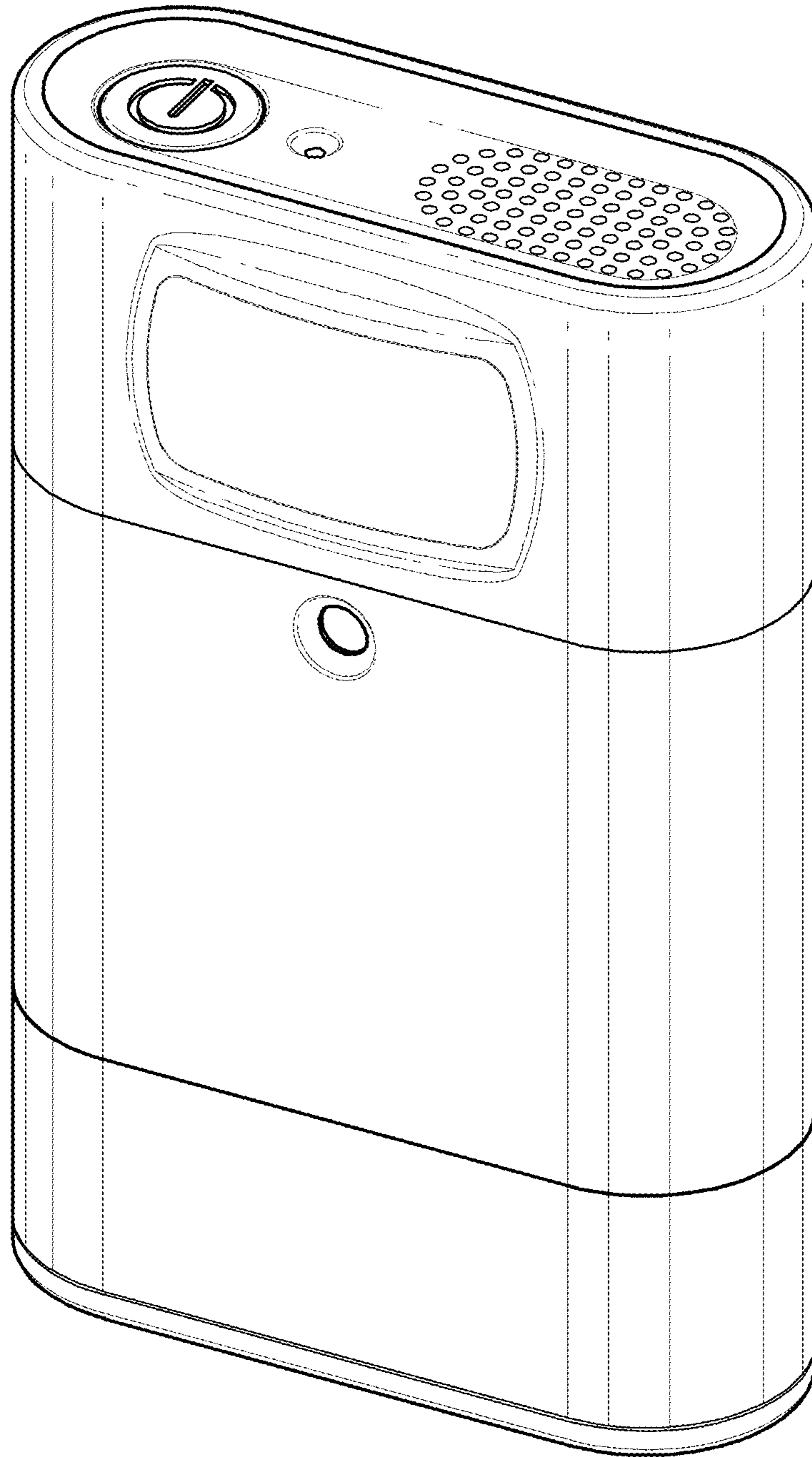


FIG. 1

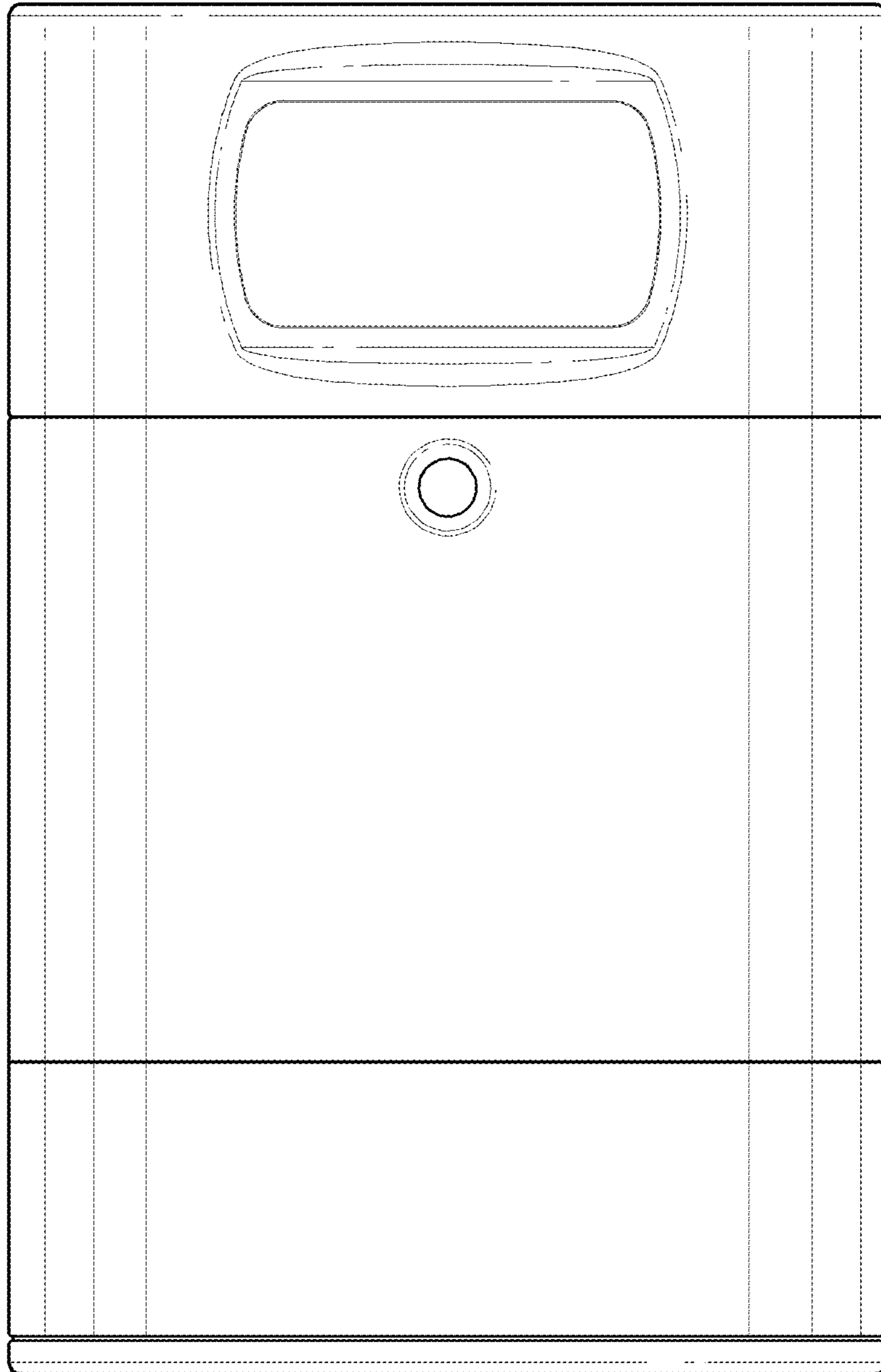


FIG. 2

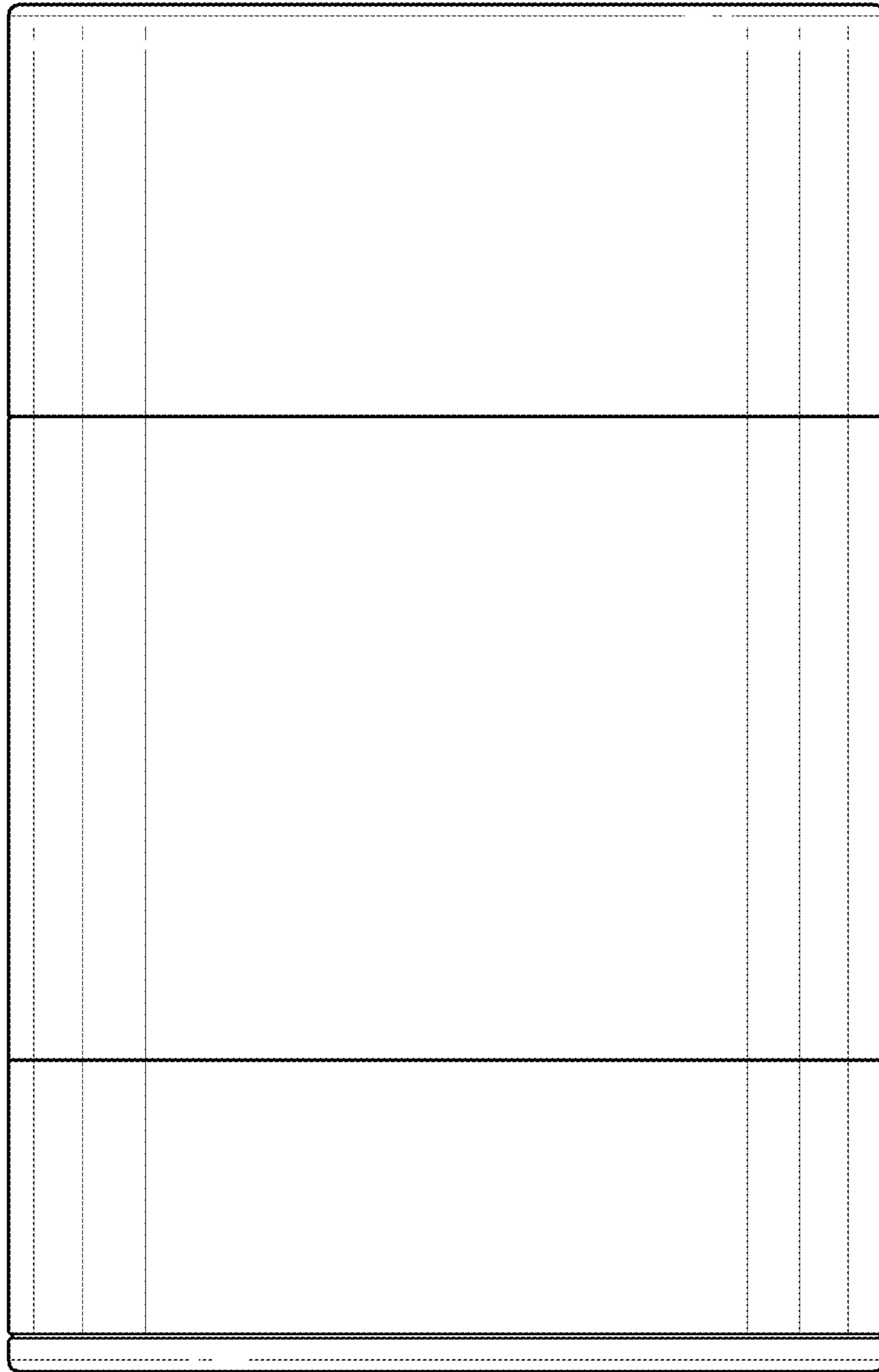


FIG. 3

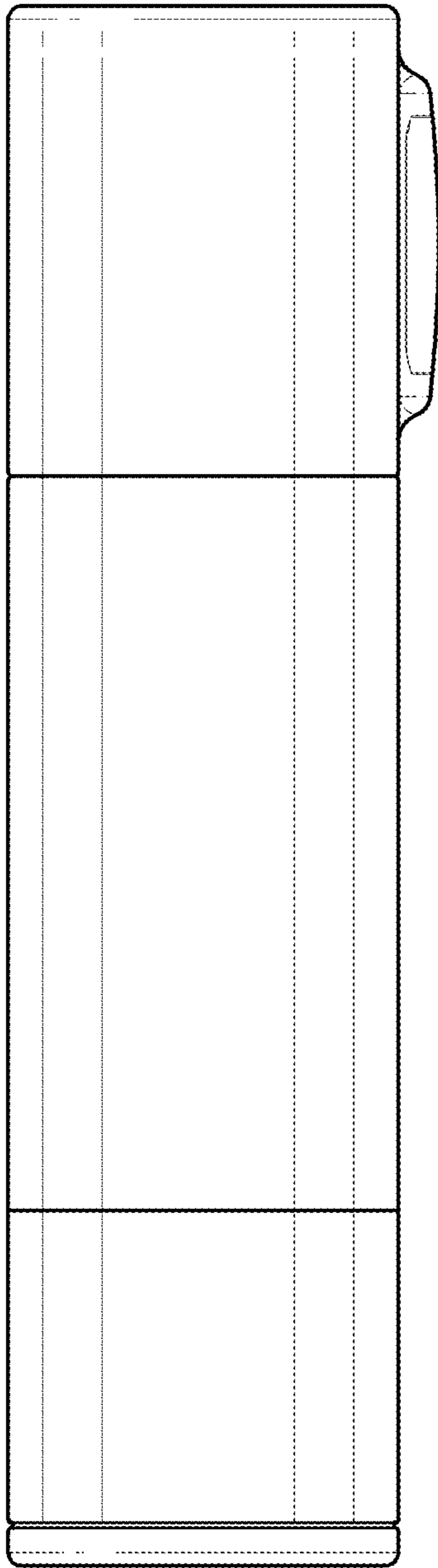


FIG. 4

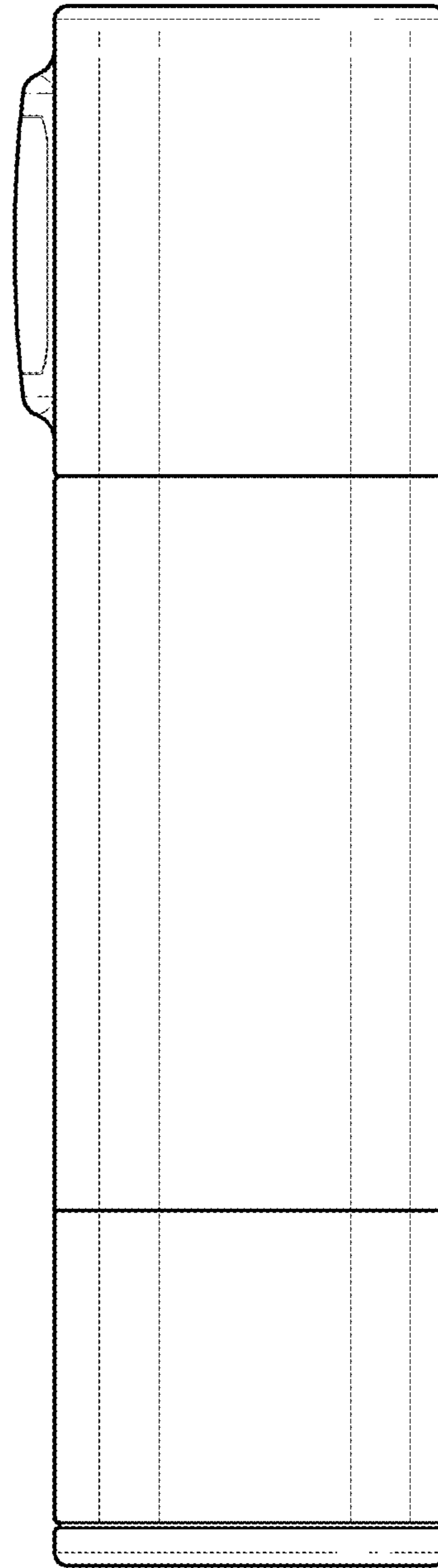


FIG. 5

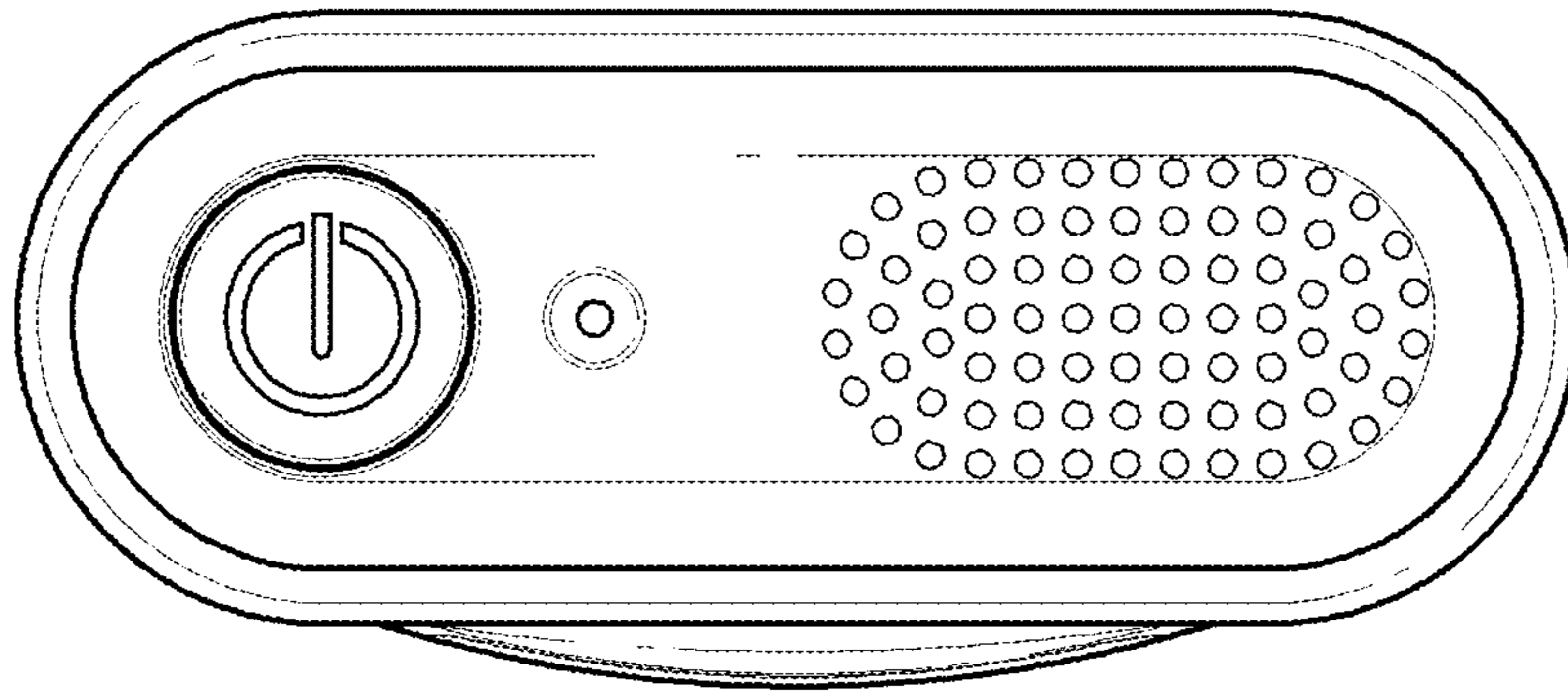


FIG. 6

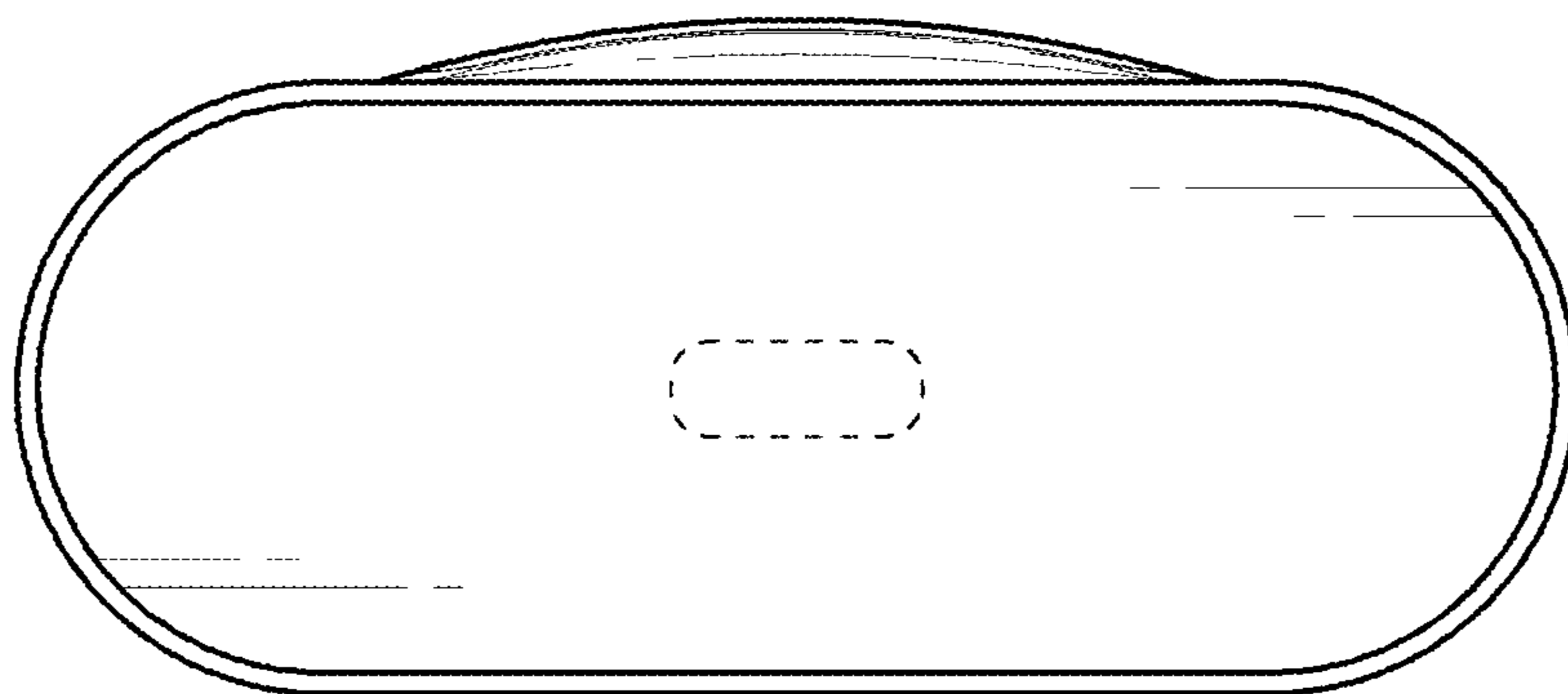


FIG. 7