



US00D786105S

(12) **United States Design Patent** (10) **Patent No.:** **US D786,105 S**
Heitstuman (45) **Date of Patent:** **** May 9, 2017**

(54) **LEVEL AND GUIDE**

(71) Applicant: **Ryan M. Heitstuman**, Brighton, CO (US)

(72) Inventor: **Ryan M. Heitstuman**, Brighton, CO (US)

(**) Term: **15 Years**

(21) Appl. No.: **29/546,564**

(22) Filed: **Nov. 24, 2015**

(51) **LOC (10) Cl.** **10-04**

(52) **U.S. Cl.**
USPC **D10/69**

(58) **Field of Classification Search**
USPC D10/69
CPC ... G01C 9/24; G01C 9/26; G01C 9/28; G01C 9/30; G01C 9/32; G01C 9/34; G01C 9/36
See application file for complete search history.

(56) **References Cited**

U.S. PATENT DOCUMENTS

5,080,317 A 1/1992 Letizia
5,915,806 A 6/1999 Levee

5,927,675 A 7/1999 Kratish
6,471,175 B1 10/2002 Kratish et al.
7,509,752 B2 3/2009 Schmidt et al.
8,191,335 B2 6/2012 Davis
D694,135 S * 11/2013 Kershaw D10/69
D762,499 S * 8/2016 Jackson D10/69
2005/0087668 A1 4/2005 Cismoski et al.
2011/0147551 A1 6/2011 Richard et al.

* cited by examiner

Primary Examiner — Antoine D Davis
(74) *Attorney, Agent, or Firm* — Robert C. Montgomery; Montgomery Patent & Design, LP.

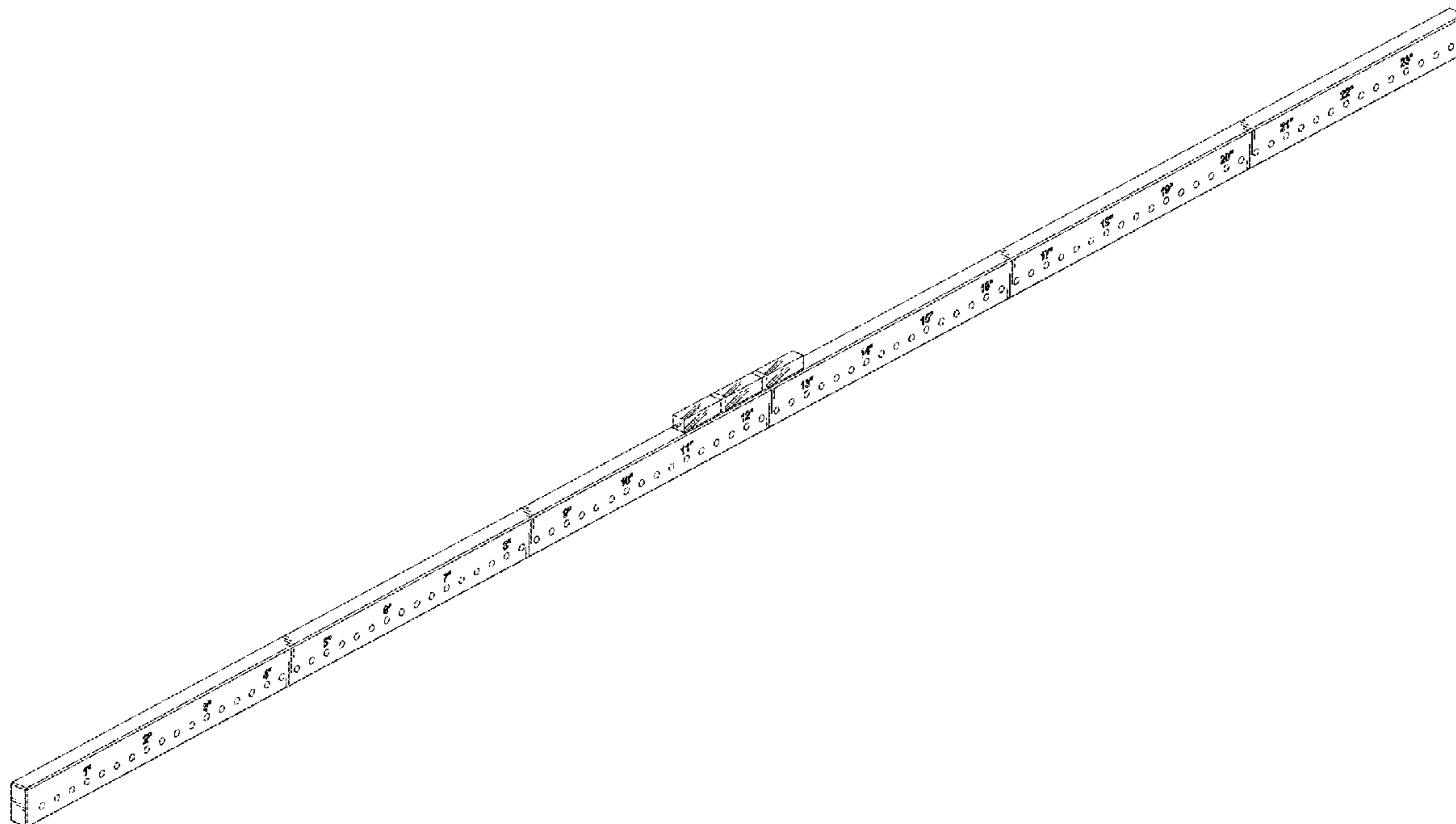
(57) **CLAIM**

The ornamental design for a level and guide, as shown and described.

DESCRIPTION

FIG. 1 is a perspective front side view of the level and guide, showing my new design;
FIG. 2 is a front side view with the back side view being a mirror image thereof;
FIG. 3 is an enlarged left side view with the right side view being a mirror image thereof;
FIG. 4 is a top side view thereof; and,
FIG. 5 is a bottom side view thereof.

1 Claim, 5 Drawing Sheets



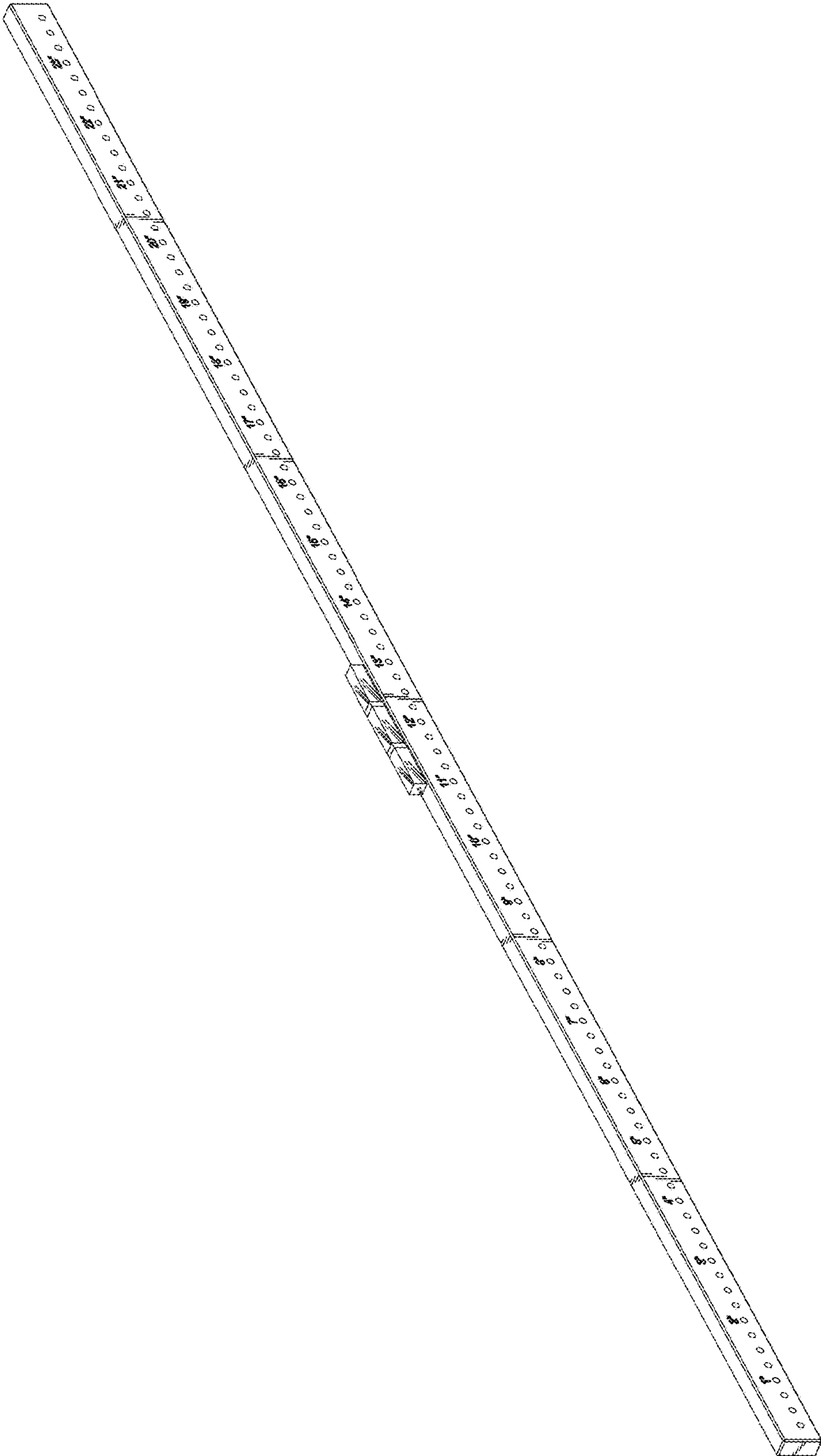


FIG. 1



FIG. 2

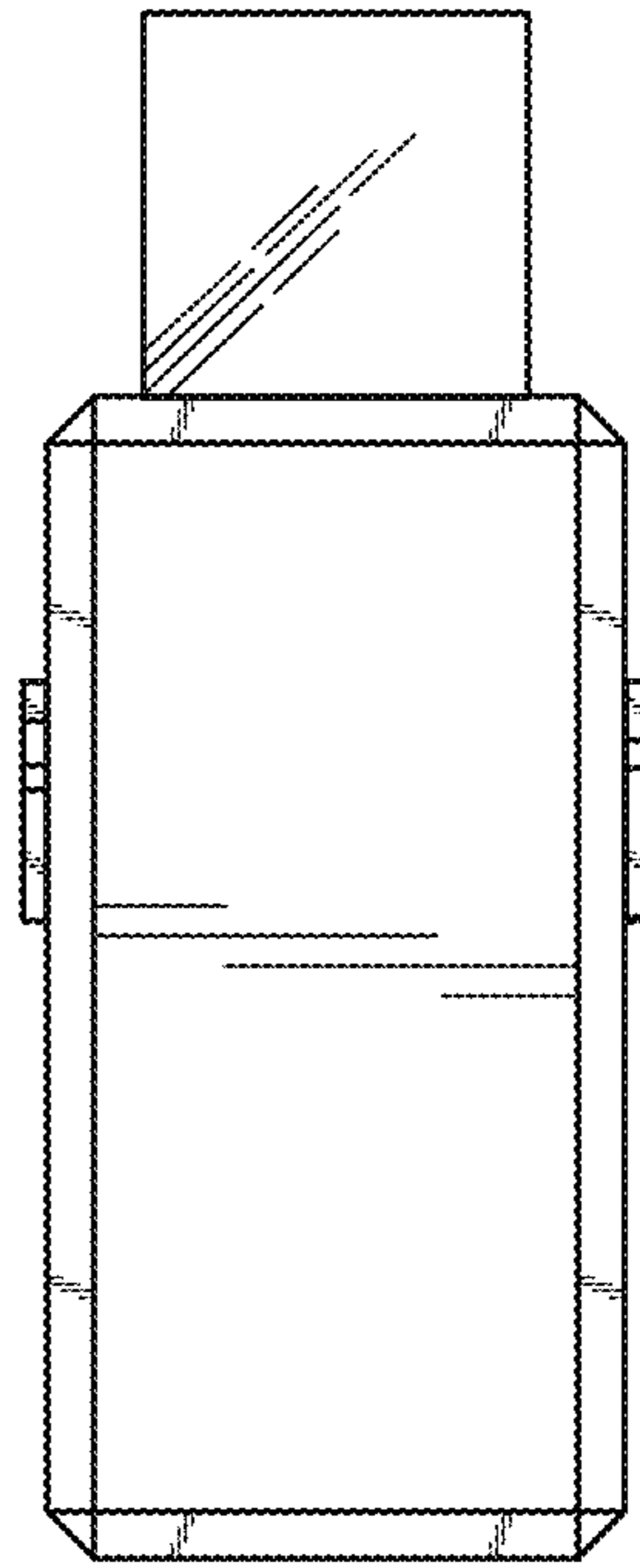


FIG. 3



FIG. 4



FIG. 5