



US00D786104S

(12) **United States Design Patent** (10) **Patent No.:** **US D786,104 S**
Repp (45) **Date of Patent:** **** May 9, 2017**

(54) **TEMPERATURE DISPLAY DEVICE SUPPORT**

D706,145 S * 6/2014 Pavlak D10/50
D734,178 S * 7/2015 Lombard D10/50
D737,153 S * 8/2015 Lombard D10/50
2011/0158283 A1* 6/2011 Meyerson G01K 1/02
374/163
2014/0376597 A1* 12/2014 Gilley G01K 1/14
374/208

(71) Applicant: **Weber-Stephen Products LLC**,
Palatine, IL (US)

(72) Inventor: **Timothy C. Repp**, Barkhamsted, CT
(US)

* cited by examiner

(73) Assignee: **Weber-Stephen Products LLC**,
Palatine, IL (US)

Primary Examiner — Antoine D Davis
(74) *Attorney, Agent, or Firm* — Vitale Vickrey Niro &
Gasey

(**) Term: **15 Years**

(21) Appl. No.: **29/560,953**

(57) **CLAIM**

(22) Filed: **Apr. 12, 2016**

The ornamental design for a temperature display device support, as shown and described.

(51) **LOC (10) Cl.** **10-04**

(52) **U.S. Cl.**
USPC **D10/60**

DESCRIPTION

(58) **Field of Classification Search**
USPC D10/49, 50, 60
CPC . F23N 5/20; F23N 5/203; F23N 5/206; F23N
5/18; F23N 5/184; F23N 5/187; F23N
5/22; F23N 2025/12; F23N 2041/02;
F24F 11/00; F24F 11/0012; F24F
11/0009; F24F 11/001; F24F 2011/0057;
F24F 2011/0073; F24F 2011/0091
See application file for complete search history.

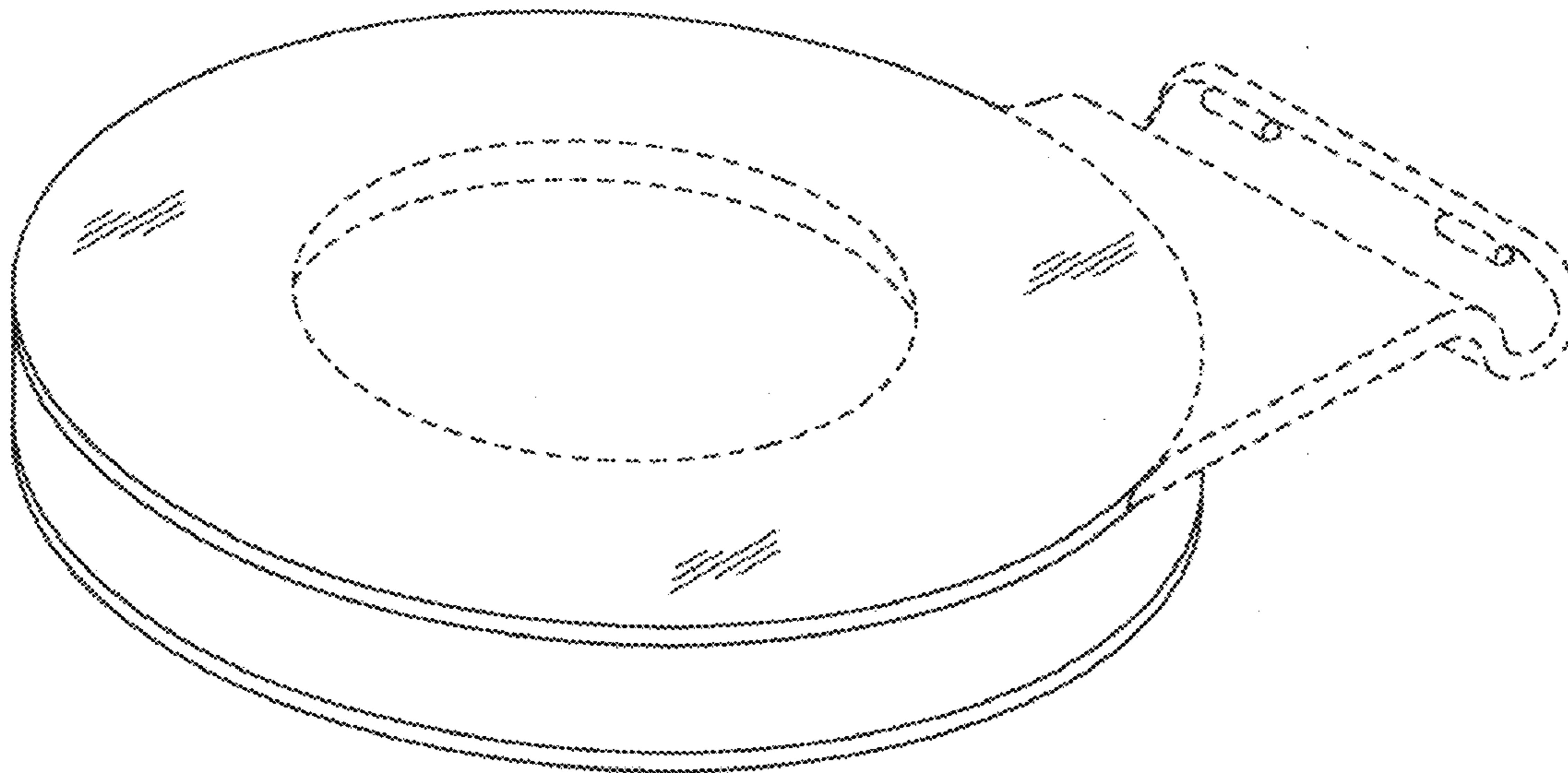
FIG. 1 is a bottom perspective view of a temperature display device support showing the present invention; FIG. 2 is a right side elevational view thereof; FIG. 3 is a left side elevational view thereof; FIG. 4 is a front elevational view thereof; FIG. 5 is a rear elevational view thereof; FIG. 6 is a top plan view thereof; and, FIG. 7 is a bottom plan view thereof. The broken lines in the Figures show structure or boundaries that form no part of the claimed design, but rather show the environment in which the design is associated, or show portions of the article in which the design is embodied or applied that are not considered part of the claimed design.

(56) **References Cited**

U.S. PATENT DOCUMENTS

2,817,236 A * 12/1957 Van Alstyne, Jr. .. G01K 13/002
374/E13.002
D360,597 S * 7/1995 Lai D10/60

1 Claim, 7 Drawing Sheets



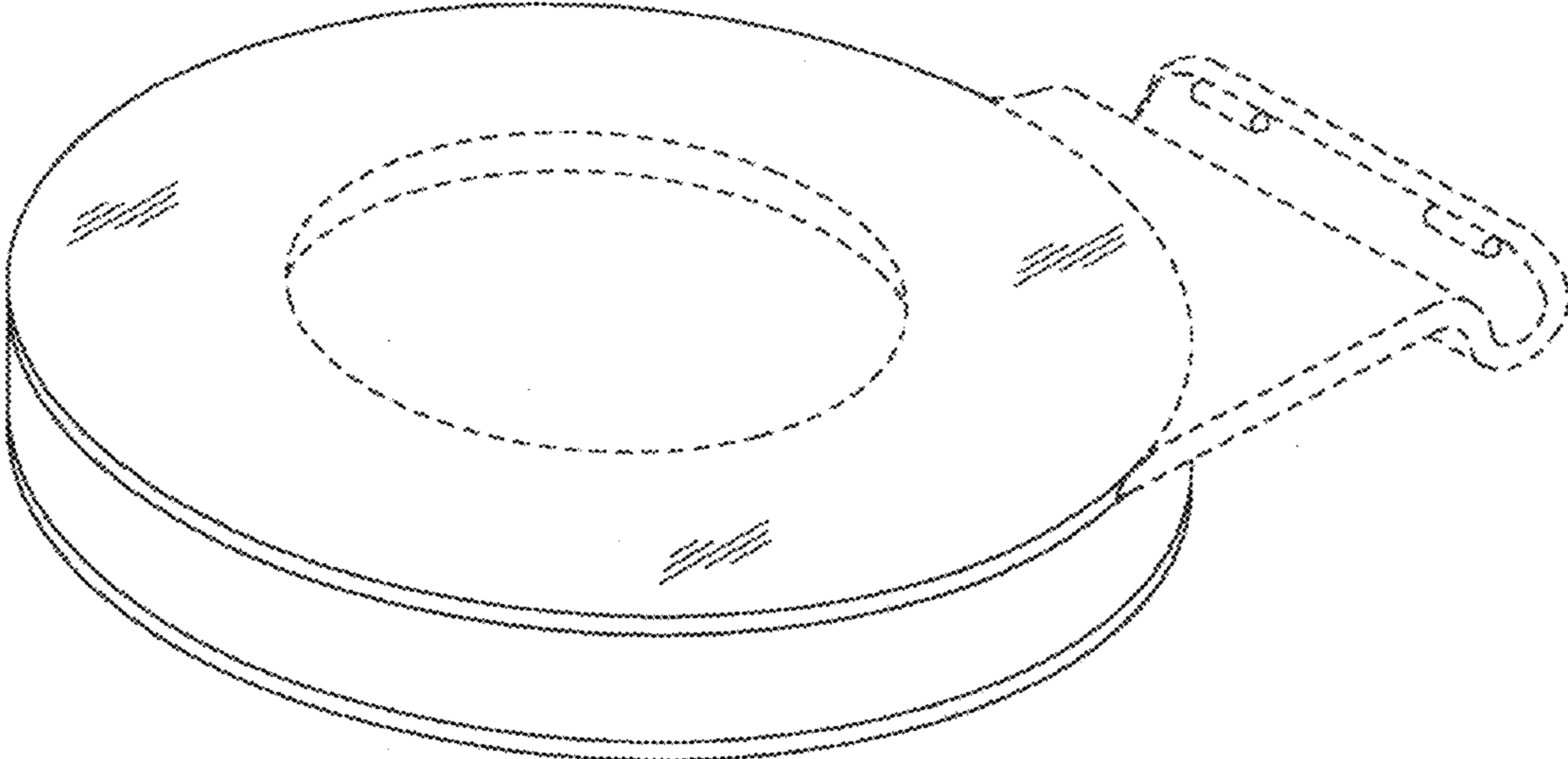


FIG. 1

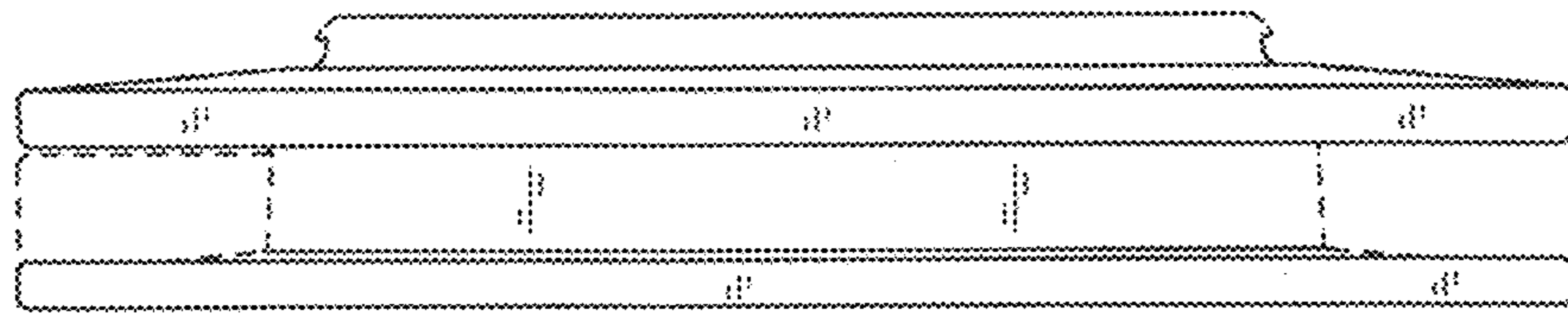


FIG. 2

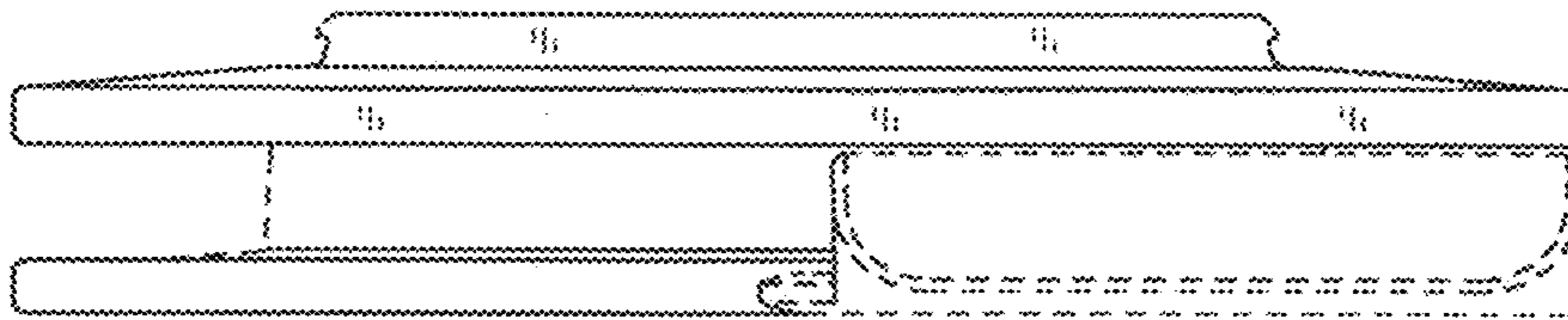


FIG. 3

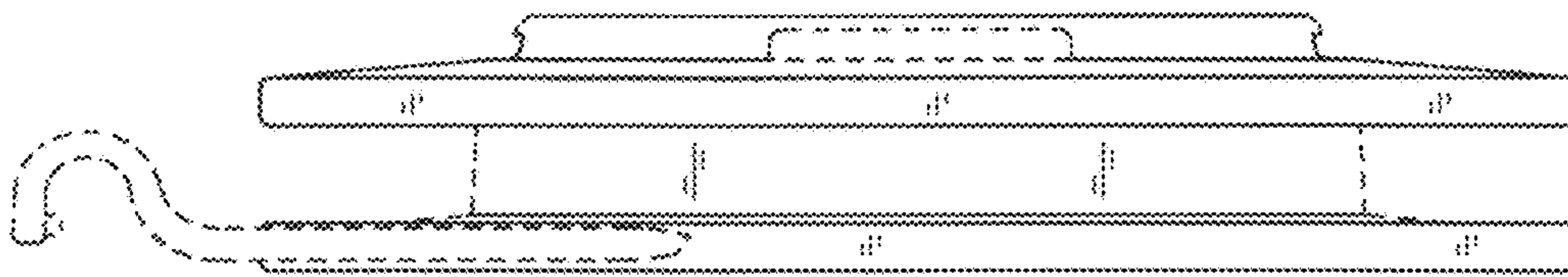
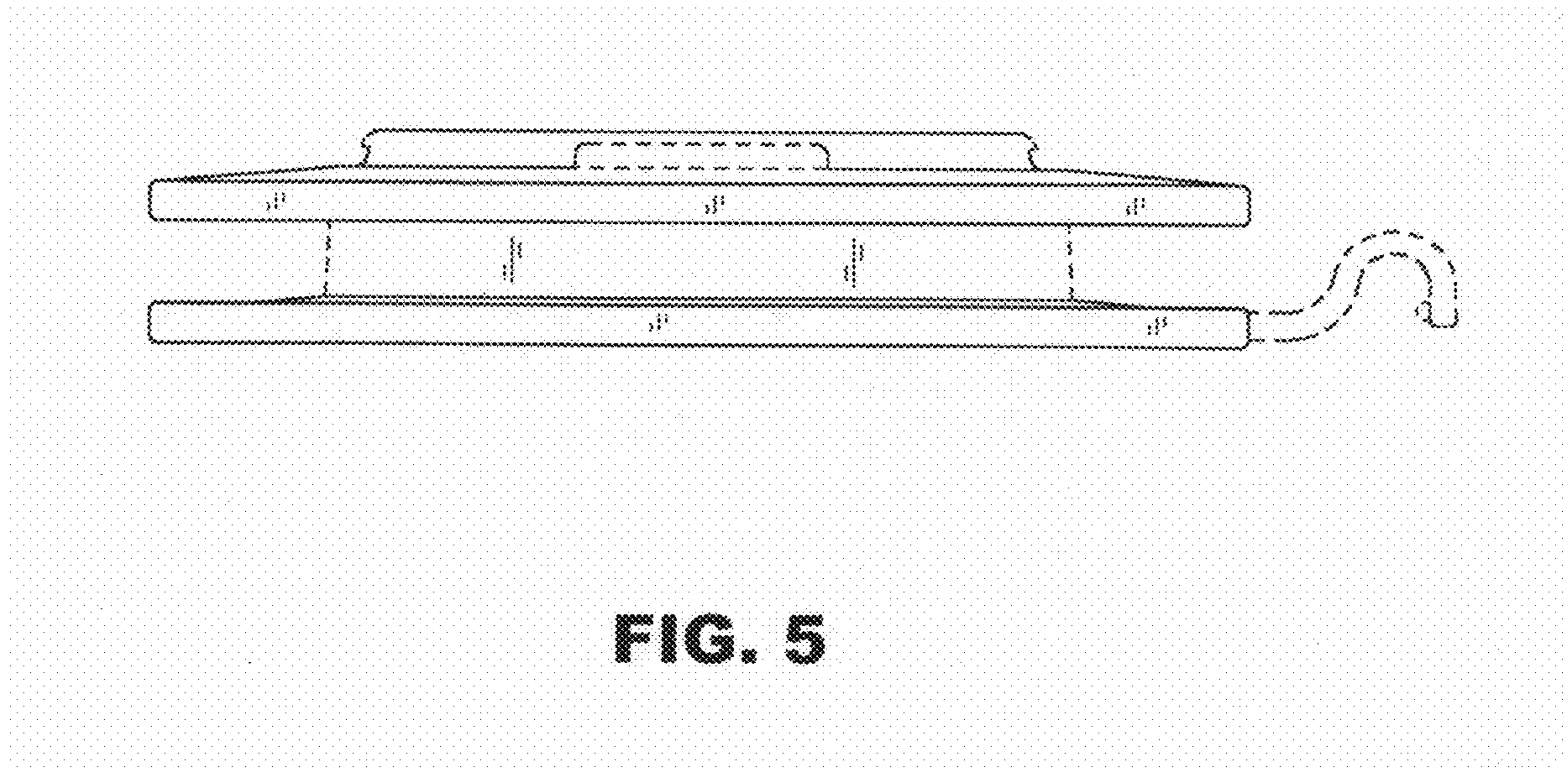


FIG. 4



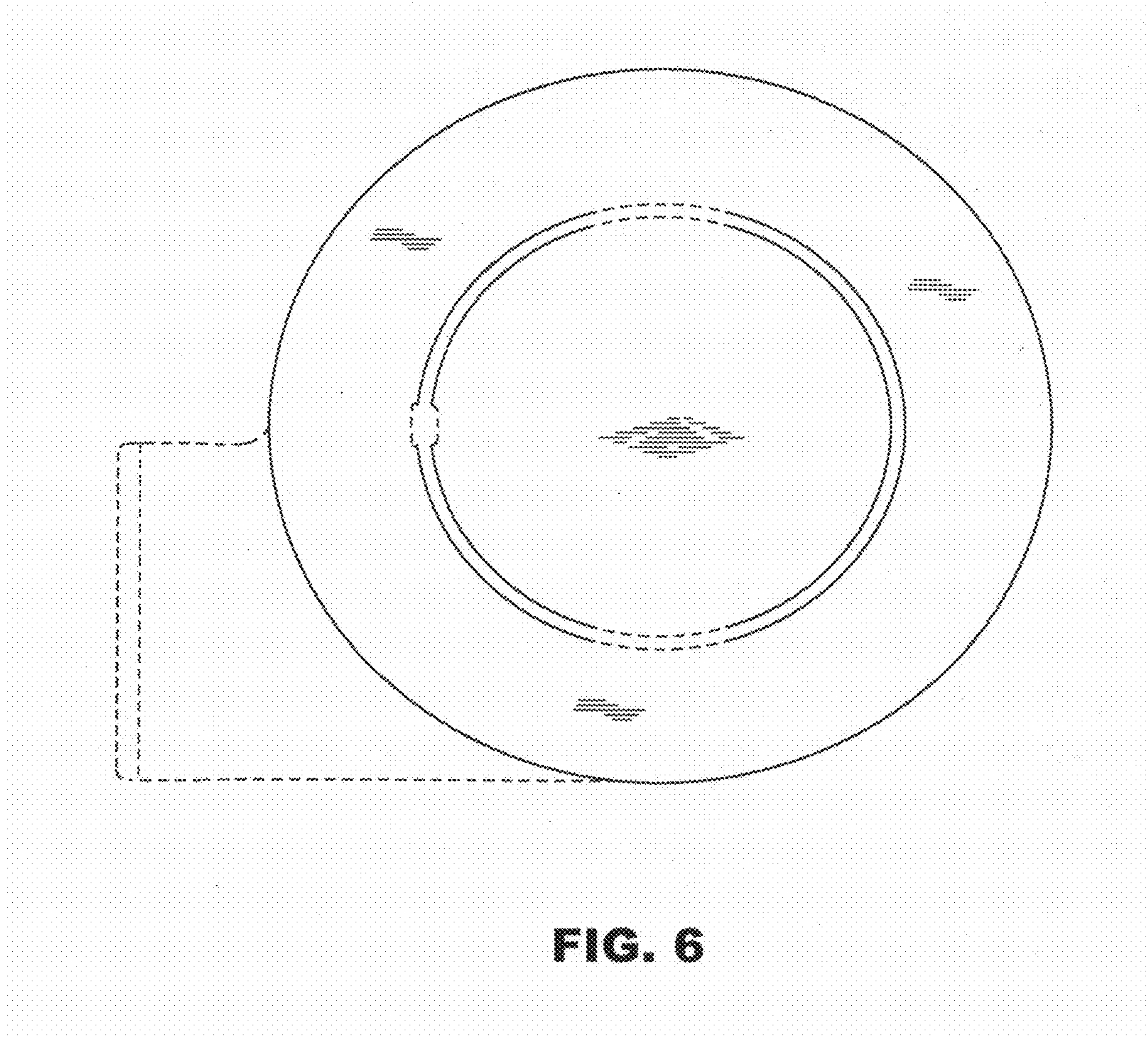


FIG. 6

