



US00D786098S

(12) **United States Design Patent** (10) **Patent No.:** **US D786,098 S**  
**Repp** (45) **Date of Patent:** **\*\* May 9, 2017**

(54) **TEMPERATURE DISPLAY DEVICE SUPPORT**

(56) **References Cited**

U.S. PATENT DOCUMENTS

(71) Applicant: **Weber-Stephen Products LLC**,  
Palatine, IL (US)  
(72) Inventor: **Timothy C. Repp**, Barkhamsted, CT  
(US)  
(73) Assignee: **Weber-Stephen Products LLC**,  
Palatine, IL (US)

2,817,236 A \* 12/1957 Van Alstyne, Jr. .. G01K 13/002  
374/E13.002  
D360,597 S \* 7/1995 Lai ..... D10/60  
D706,145 S \* 6/2014 Pavlak ..... D10/50  
D734,178 S \* 7/2015 Lombard ..... D10/50  
D737,153 S \* 8/2015 Lombard ..... D10/50  
2011/0158283 A1\* 6/2011 Meyerson ..... G01K 1/02  
374/163  
2014/0376597 A1\* 12/2014 Gilley ..... G01K 1/14  
374/208

(\*\*) Term: **15 Years**  
(21) Appl. No.: **29/560,794**  
(22) Filed: **Apr. 11, 2016**

\* cited by examiner  
*Primary Examiner* — Antoine D Davis  
(74) *Attorney, Agent, or Firm* — Vitale Vickrey Niro & Gasey

**Related U.S. Application Data**

(62) Division of application No. 29/508,282, filed on Nov. 4, 214, now Pat. No. Des. 761,134.  
(51) **LOC (10) Cl.** ..... **10-04**  
(52) **U.S. Cl.**  
USPC ..... **D10/60**  
(58) **Field of Classification Search**  
USPC ..... D10/49, 50, 60  
CPC . F23N 5/20; F23N 5/203; F23N 5/206; F23N 5/18; F23N 5/184; F23N 5/187; F23N 5/22; F23N 2025/12; F23N 2041/02; F24F 11/00; F24F 11/0012; F24F 11/0009; F24F 11/001; F24F 2011/0057; F24F 2011/0073; F24F 2011/0091  
See application file for complete search history.

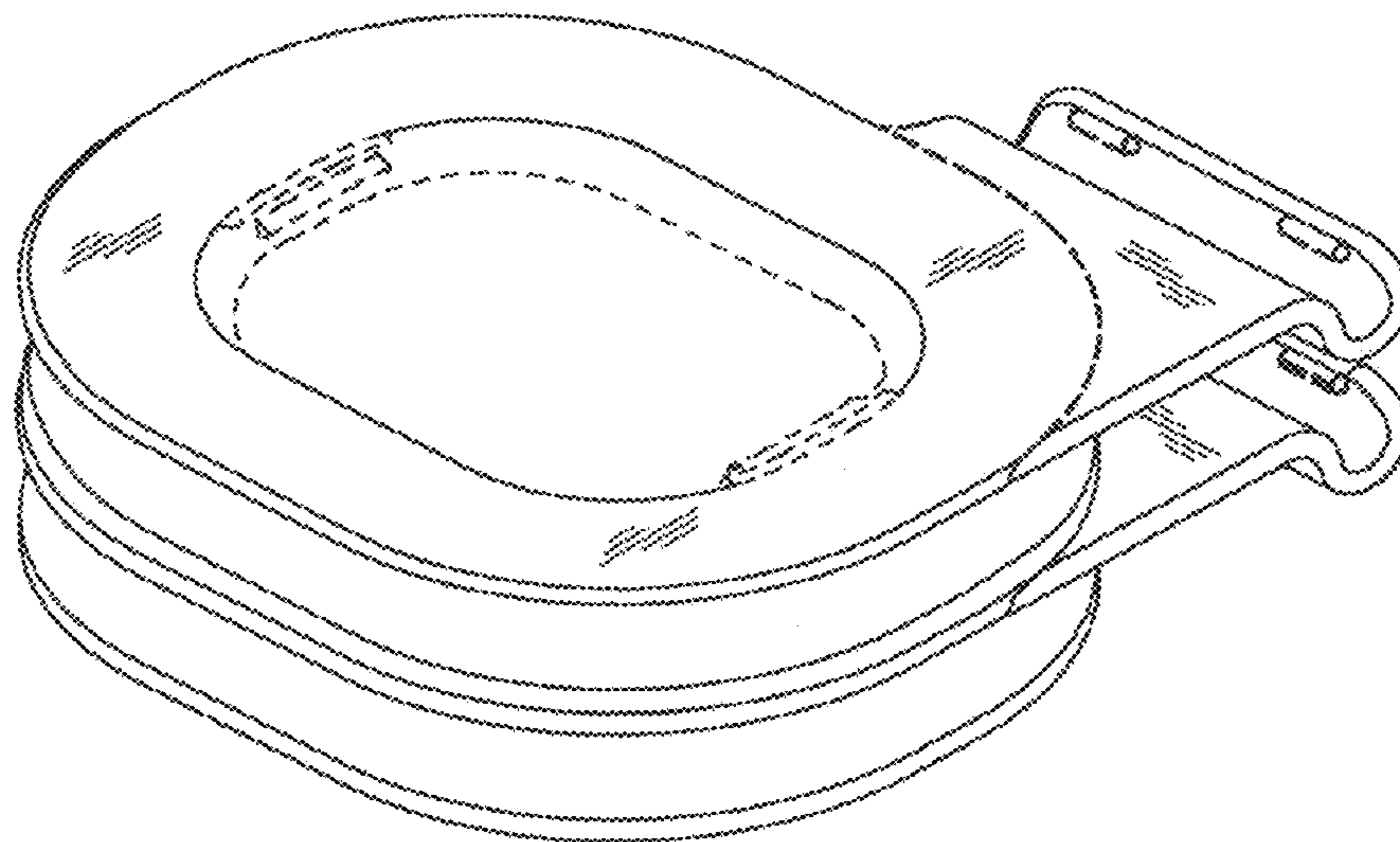
**CLAIM**

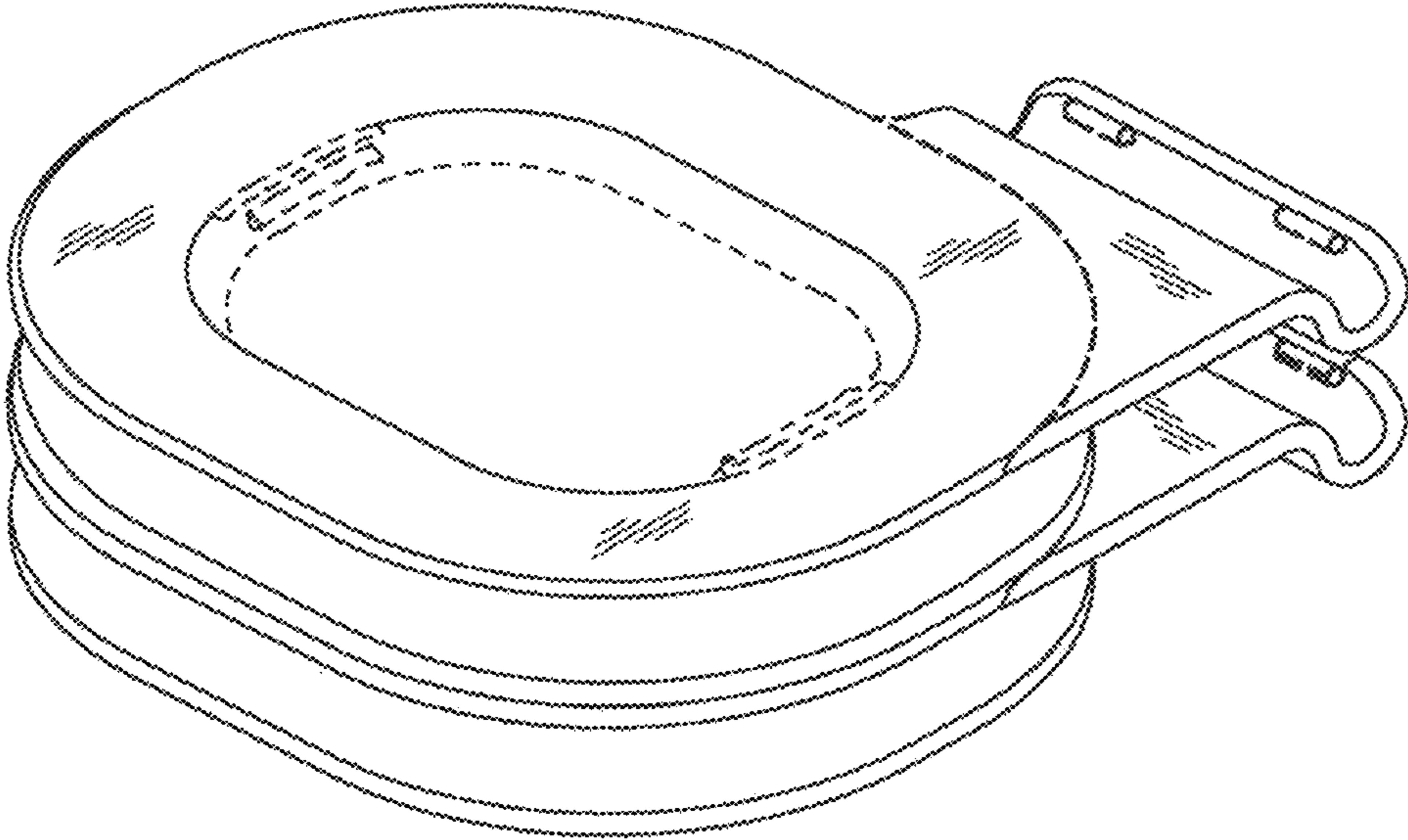
The ornamental design for a temperature display device support, as shown and described.

**DESCRIPTION**

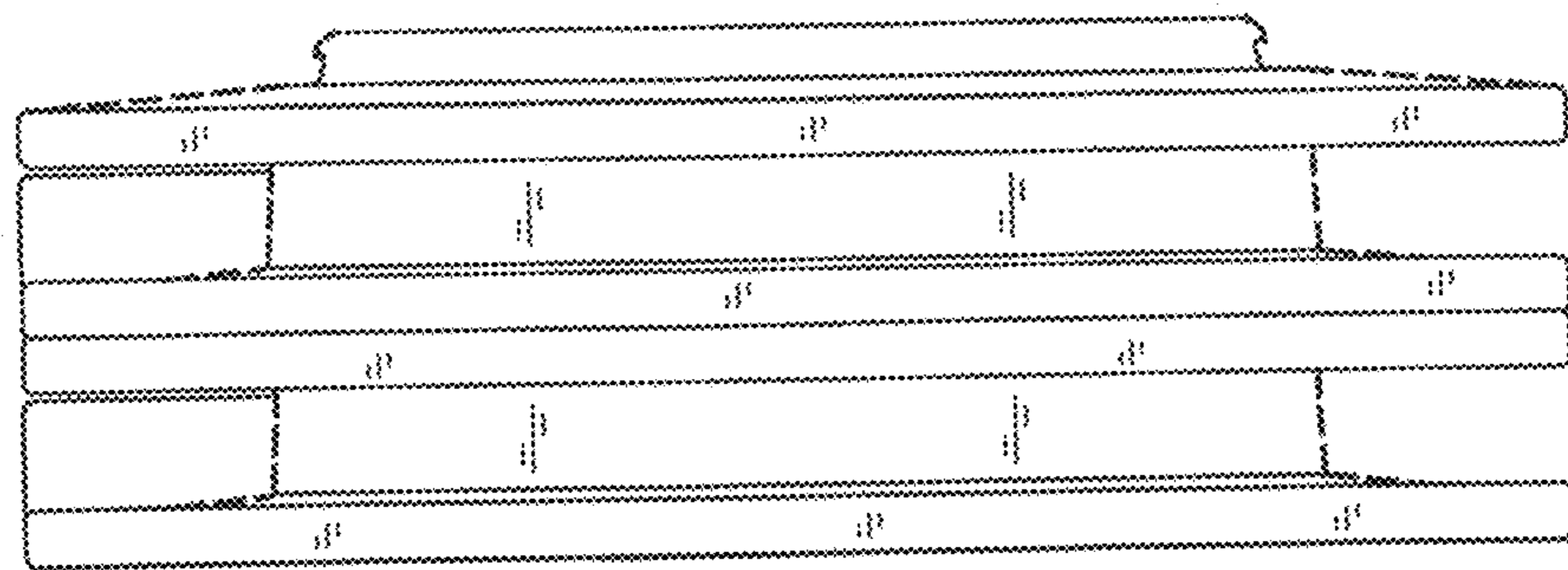
FIG. 1 is a bottom perspective view of a temperature display device support showing the present invention; FIG. 2 is a right side elevational view thereof; FIG. 3 is a left side elevational view thereof; FIG. 4 is a front elevational view thereof; FIG. 5 is a rear elevational view thereof; FIG. 6 is a top plan view thereof; and, FIG. 7 is a bottom plan view thereof. The broken lines in the figures show structure or boundaries that form no part of the claimed design, but rather show the environment in which the design is associated, or show portions of the article in which the design is embodied or applied that are not considered part of the claimed design.

**1 Claim, 7 Drawing Sheets**

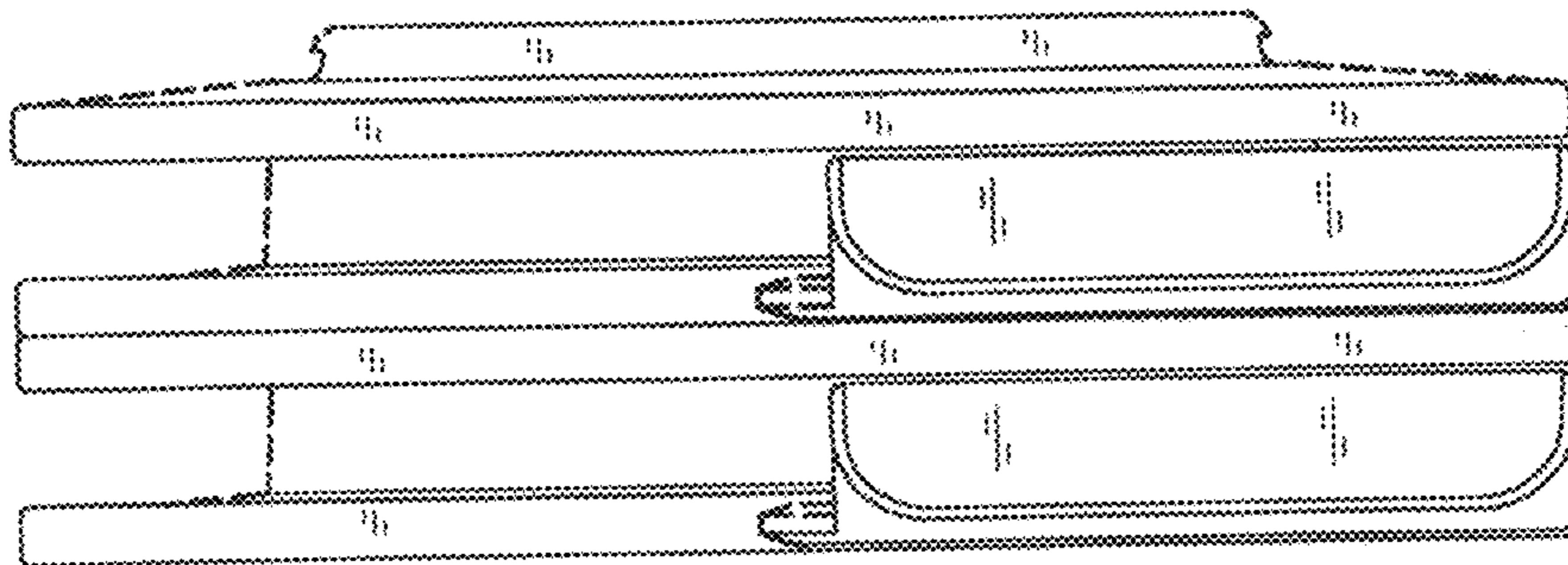




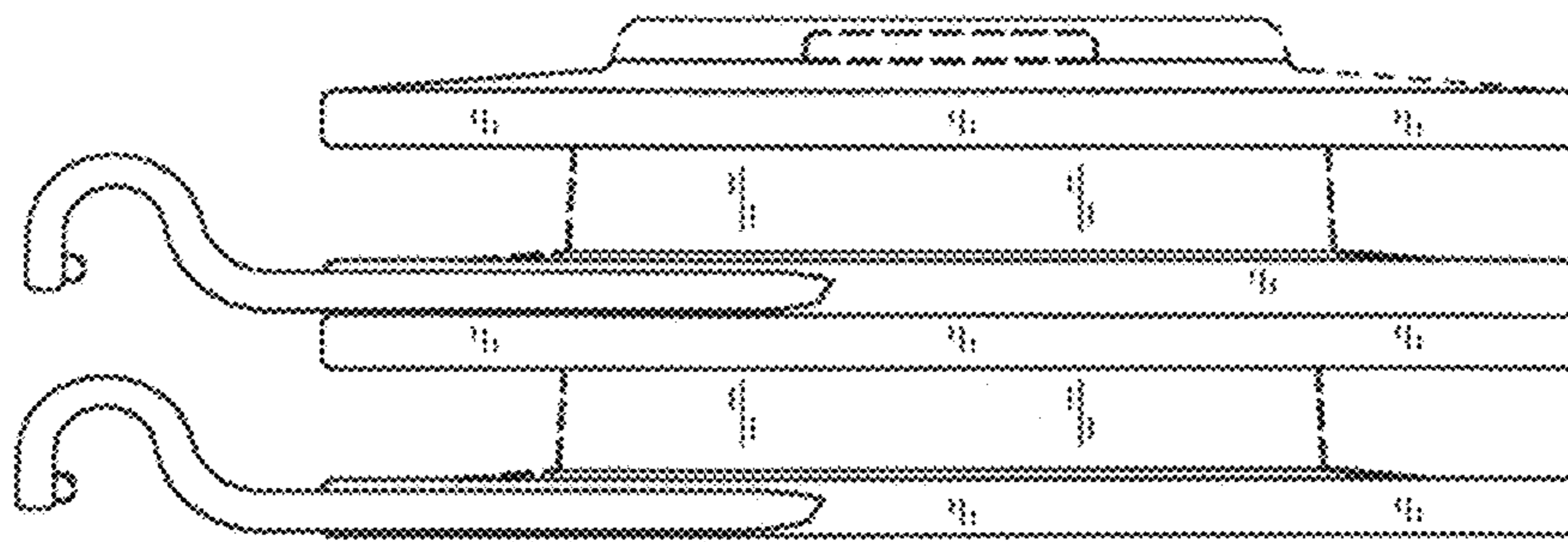
**FIG. 1**



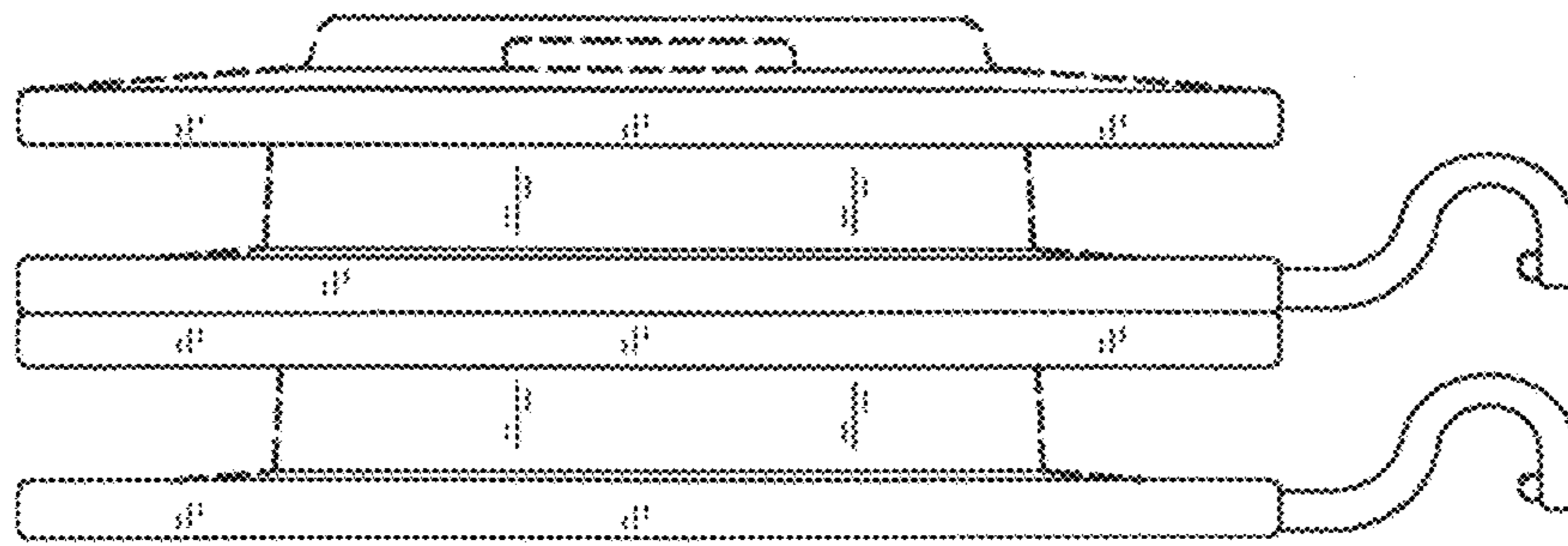
**FIG. 2**



**FIG. 3**



**FIG. 4**



**FIG. 5**

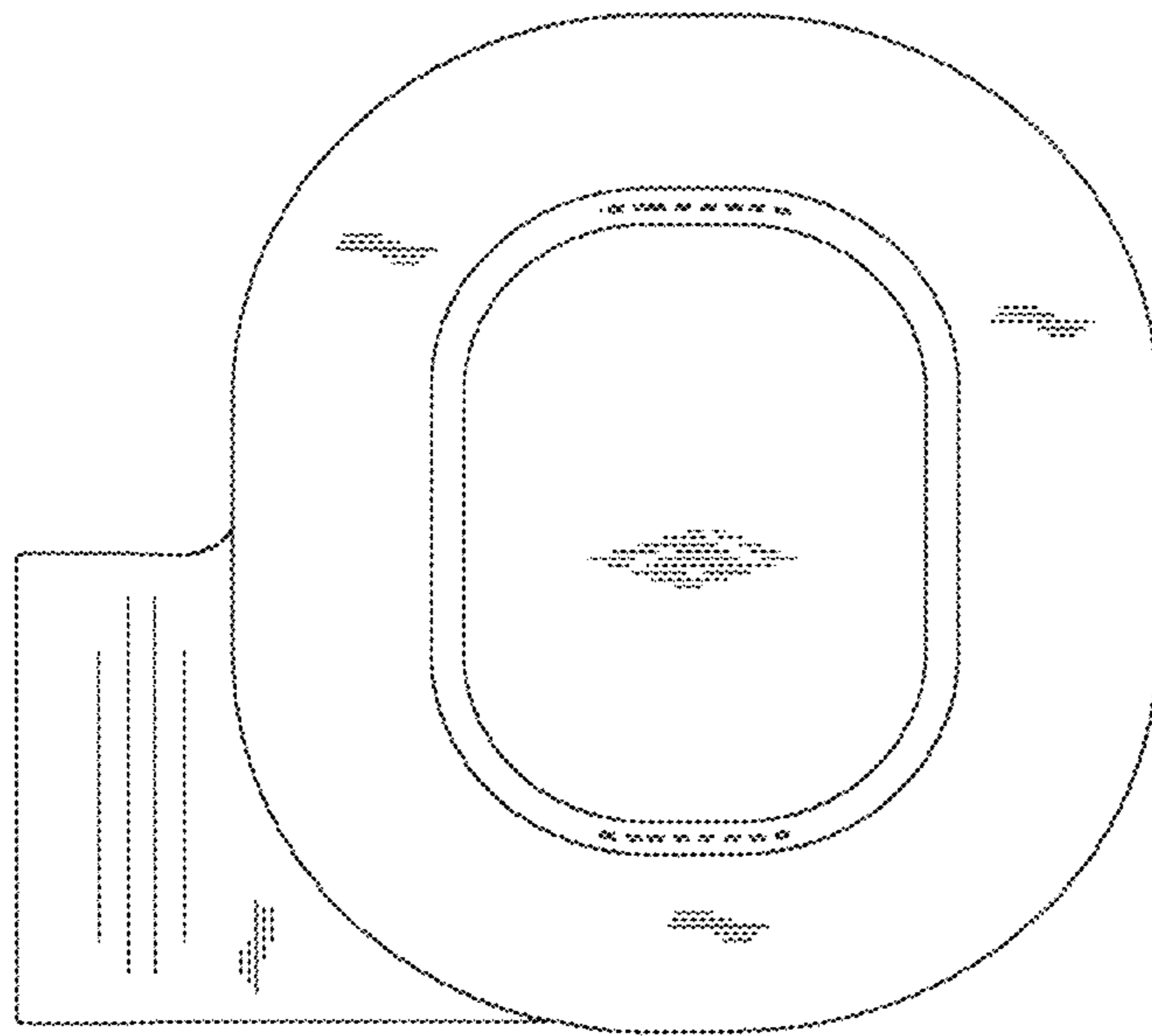
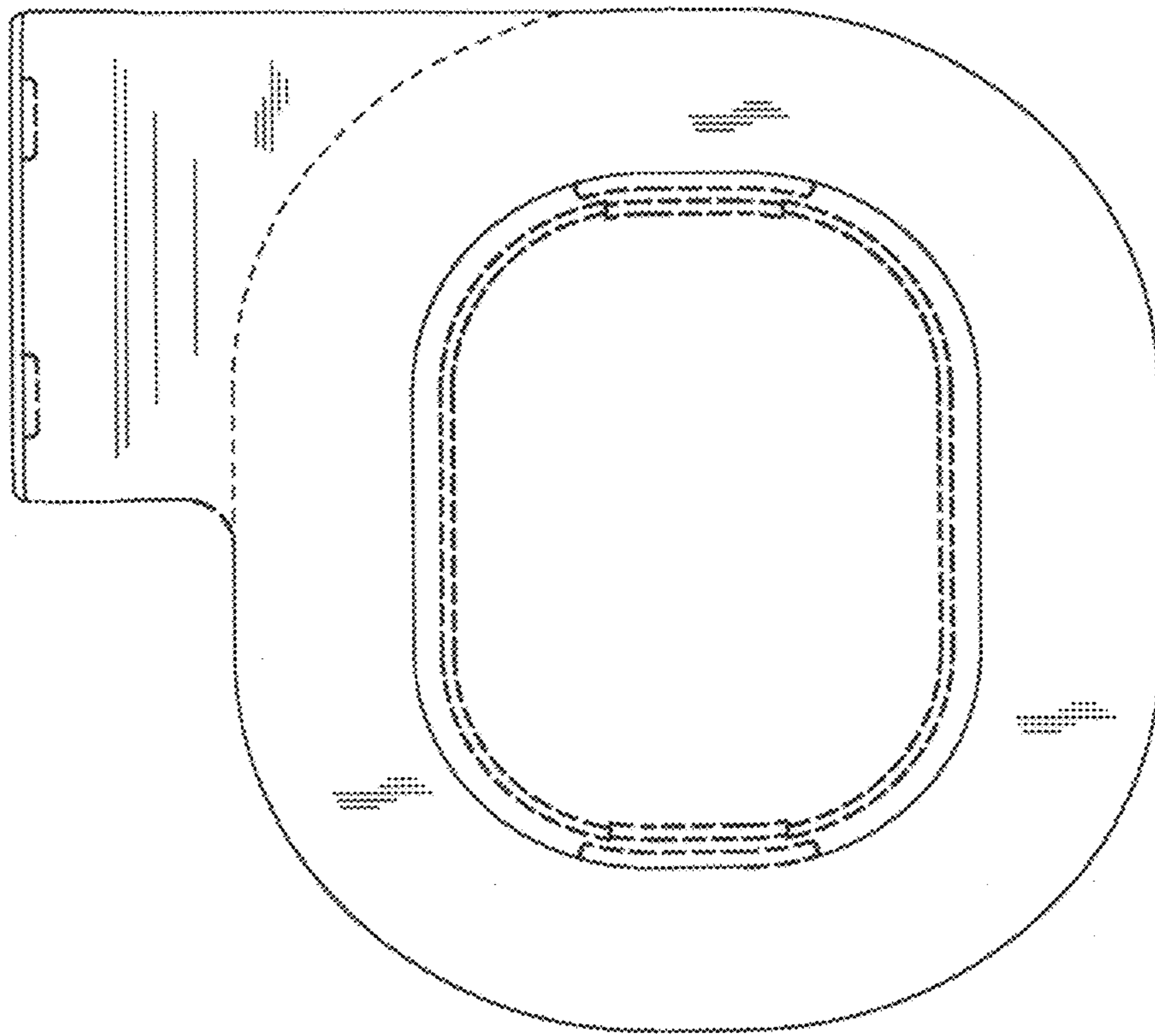


FIG. 6



**FIG. 7**