



US00D786096S

(12) **United States Design Patent** (10) **Patent No.:** **US D786,096 S**
Wetzel et al. (45) **Date of Patent:** **** May 9, 2017**

(54) **CONTROL MODULE FOR PERSONAL ENVIRONMENTAL SYSTEM**

(71) Applicant: **Air Innovations, Inc.**, North Syracuse, NY (US)

(72) Inventors: **Michael Wetzel**, Skaneateles, NY (US);
Bruce Meissner, Clay, NY (US)

(73) Assignee: **Air Innovations, Inc.**, North Syracuse, NY (US)

(**) Term: **15 Years**

(21) Appl. No.: **29/549,740**

(22) Filed: **Dec. 28, 2015**

(51) **LOC (10) Cl.** **10-04**

(52) **U.S. Cl.**
USPC **D10/49**

(58) **Field of Classification Search**
USPC D10/49-50
CPC . F23N 5/20; F23N 5/203; F23N 5/206; F23N 5/18; F23N 5/184; F23N 5/187; F23N 5/22; F23N 2025/12; F23N 2041/02; F24F 11/00; F24F 11/0012; F24F 11/0009; F24F 11/001; F24F 2011/0057; F24F 2011/0073; F24F 2011/0091

See application file for complete search history.

(56) **References Cited**

U.S. PATENT DOCUMENTS

D411,118 S * 6/1999 Couch D10/47
D411,468 S * 6/1999 Couch D10/47

* cited by examiner

Primary Examiner — Antoine D Davis

(74) *Attorney, Agent, or Firm* — Harris Beach PLLC

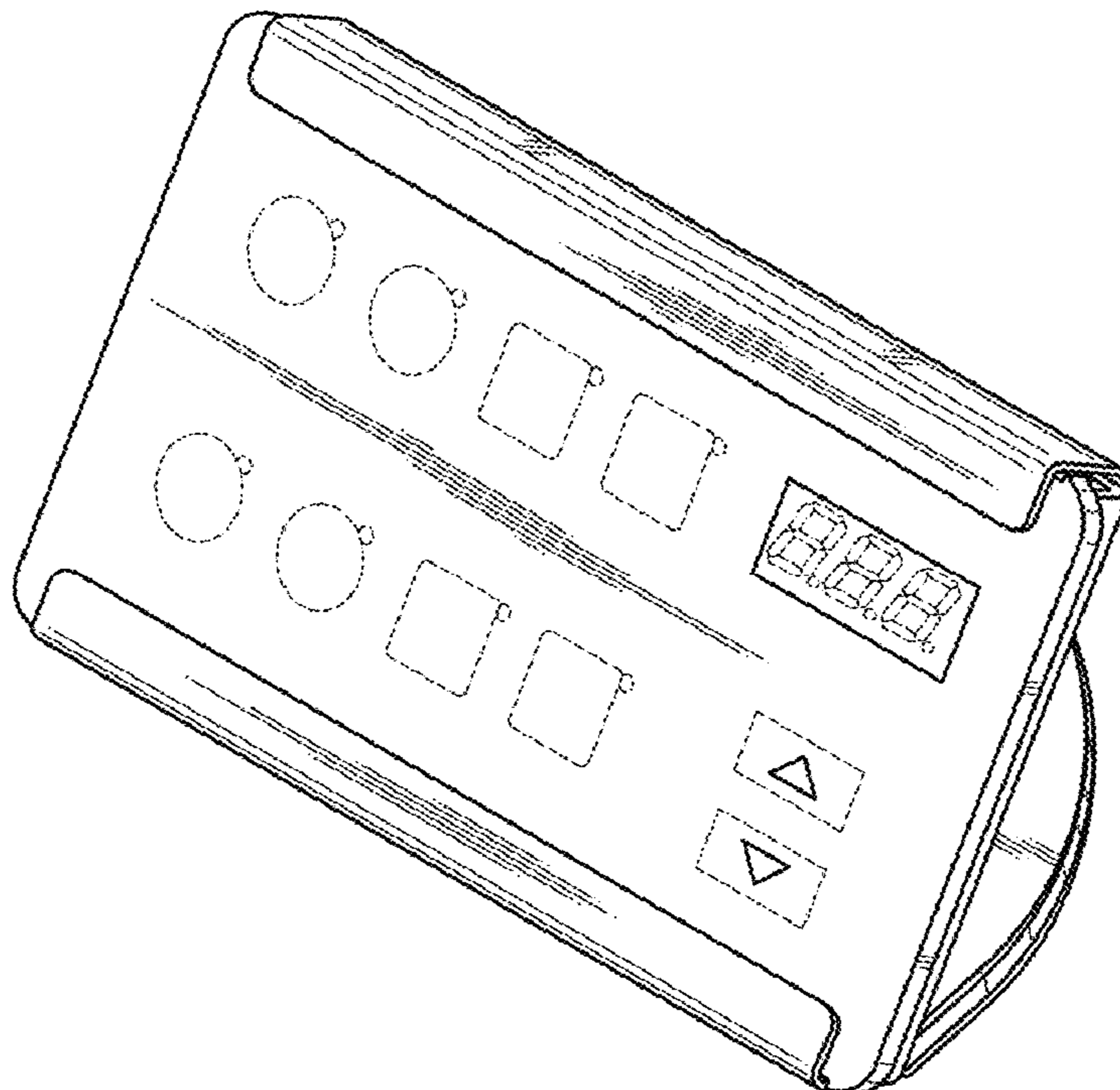
(57) **CLAIM**

The ornamental design for a control module for personal environmental system, as shown and described.

DESCRIPTION

FIG. 1 is a perspective view of the control module for personal environmental system, showing my design; FIG. 2 is a front elevational view of the control module for personal environmental system of my design; FIG. 3 is a top elevational view of the control module for personal environmental system of my design; FIG. 4 is a bottom elevational view of the control module for personal environmental system of my design; FIG. 5 is a right side elevational view of the control module for personal environmental system of my design; FIG. 6 is a left side elevational view of the control module for personal environmental system of my design; and, FIG. 7 is a back elevational view of the control module for personal environmental system of my design. The broken lines in FIGS. 1-7 are for illustrative purposes and form no part of the claimed design.

1 Claim, 4 Drawing Sheets



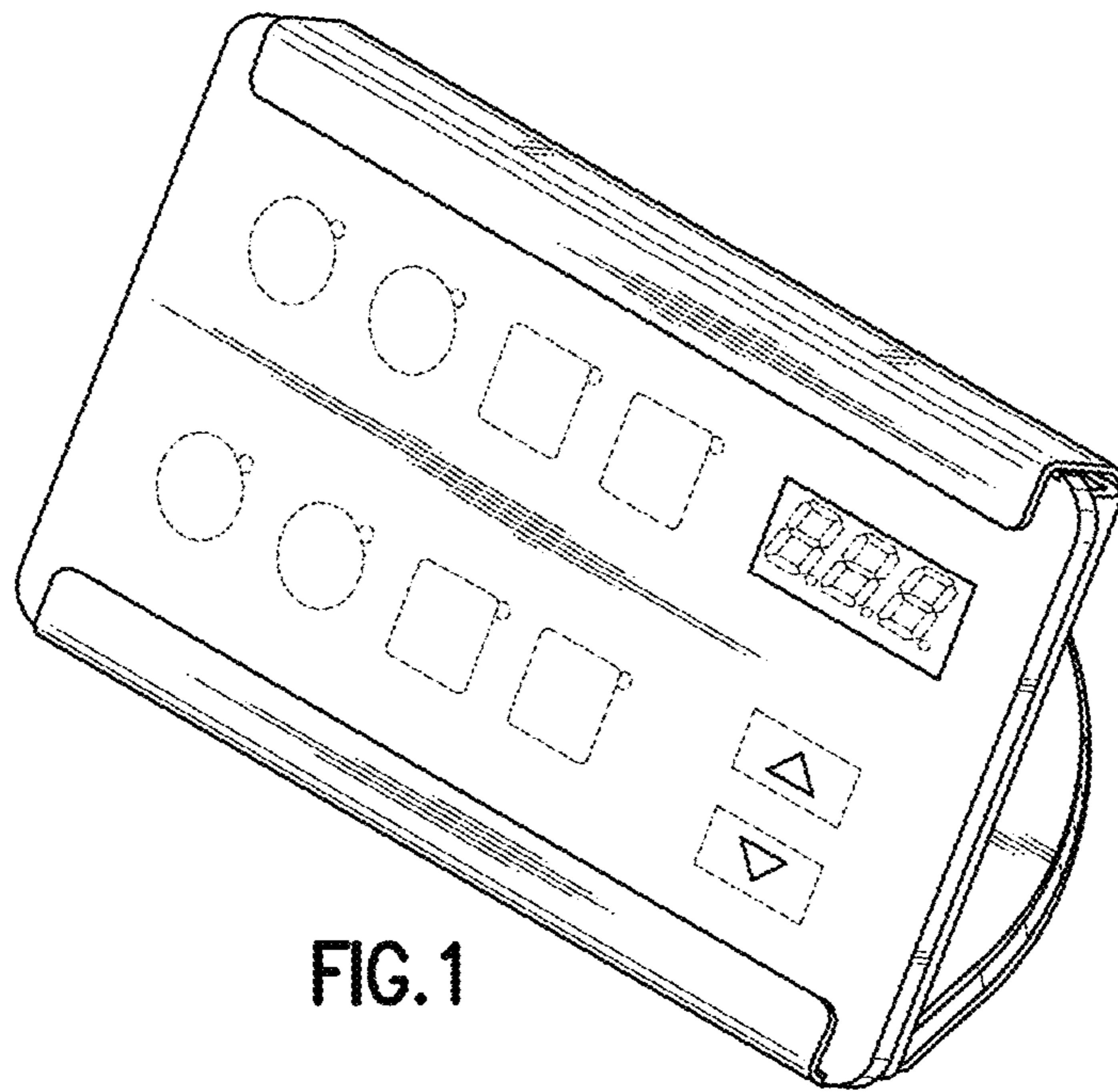


FIG. 1

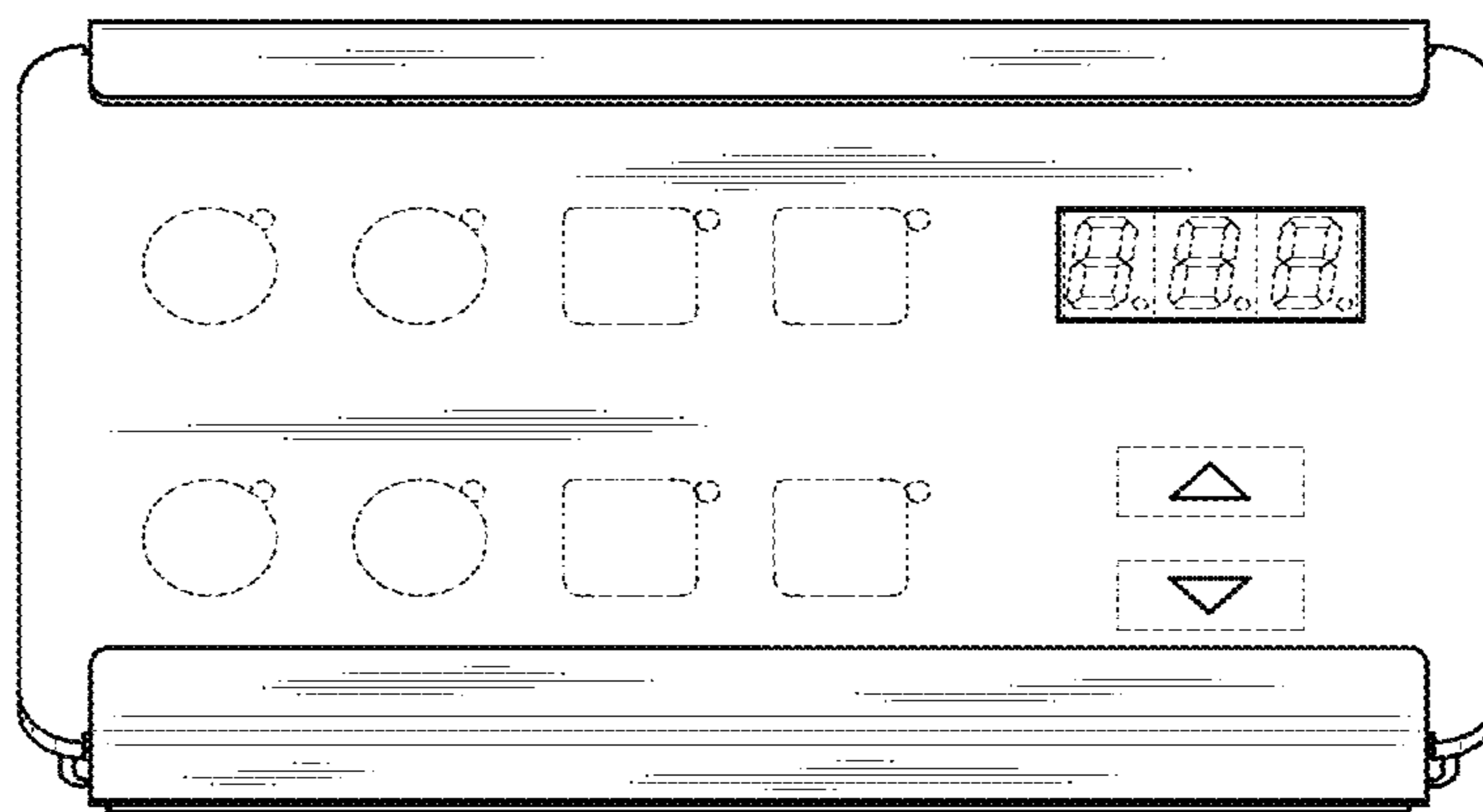


FIG. 2

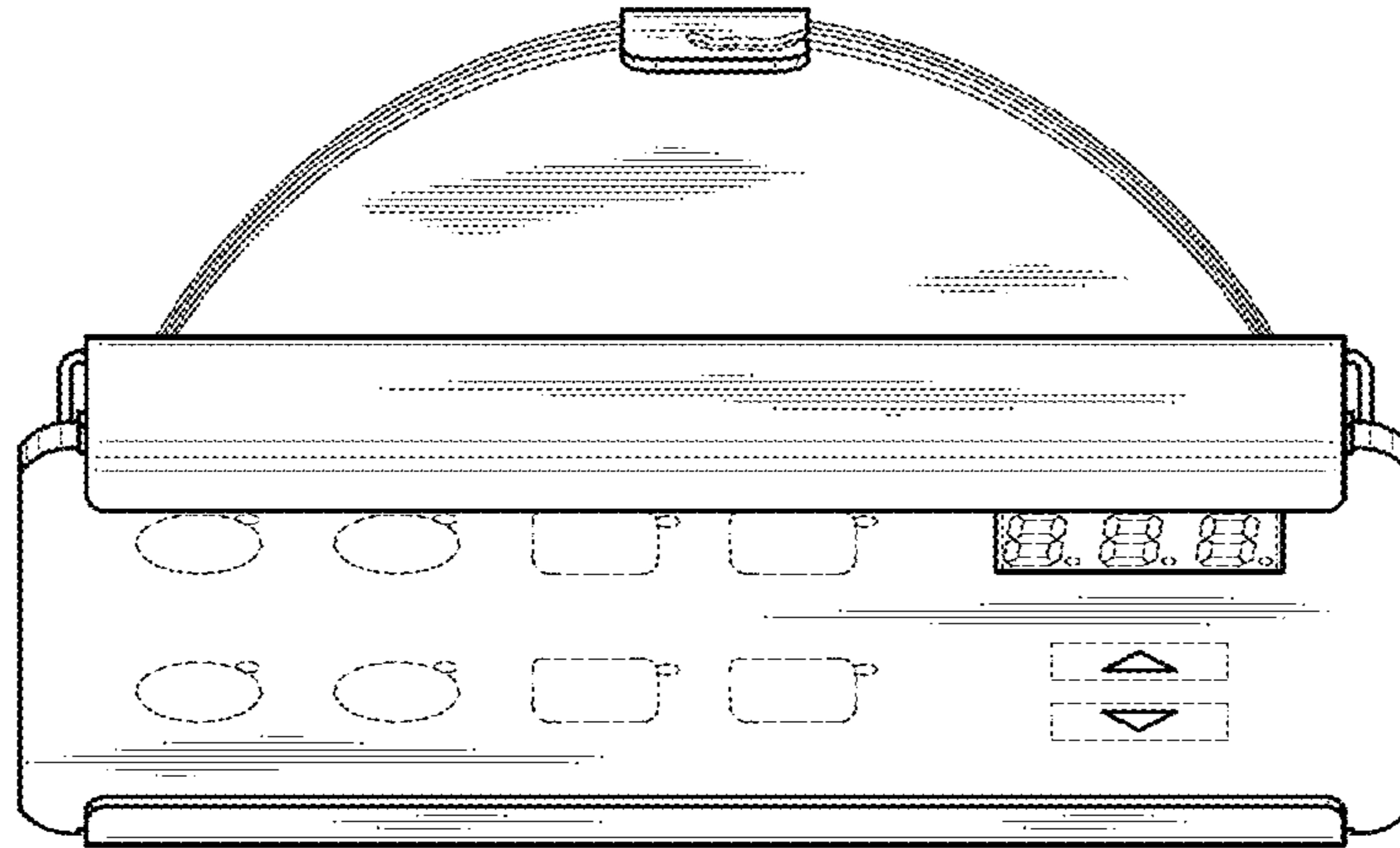


FIG.3



FIG.4

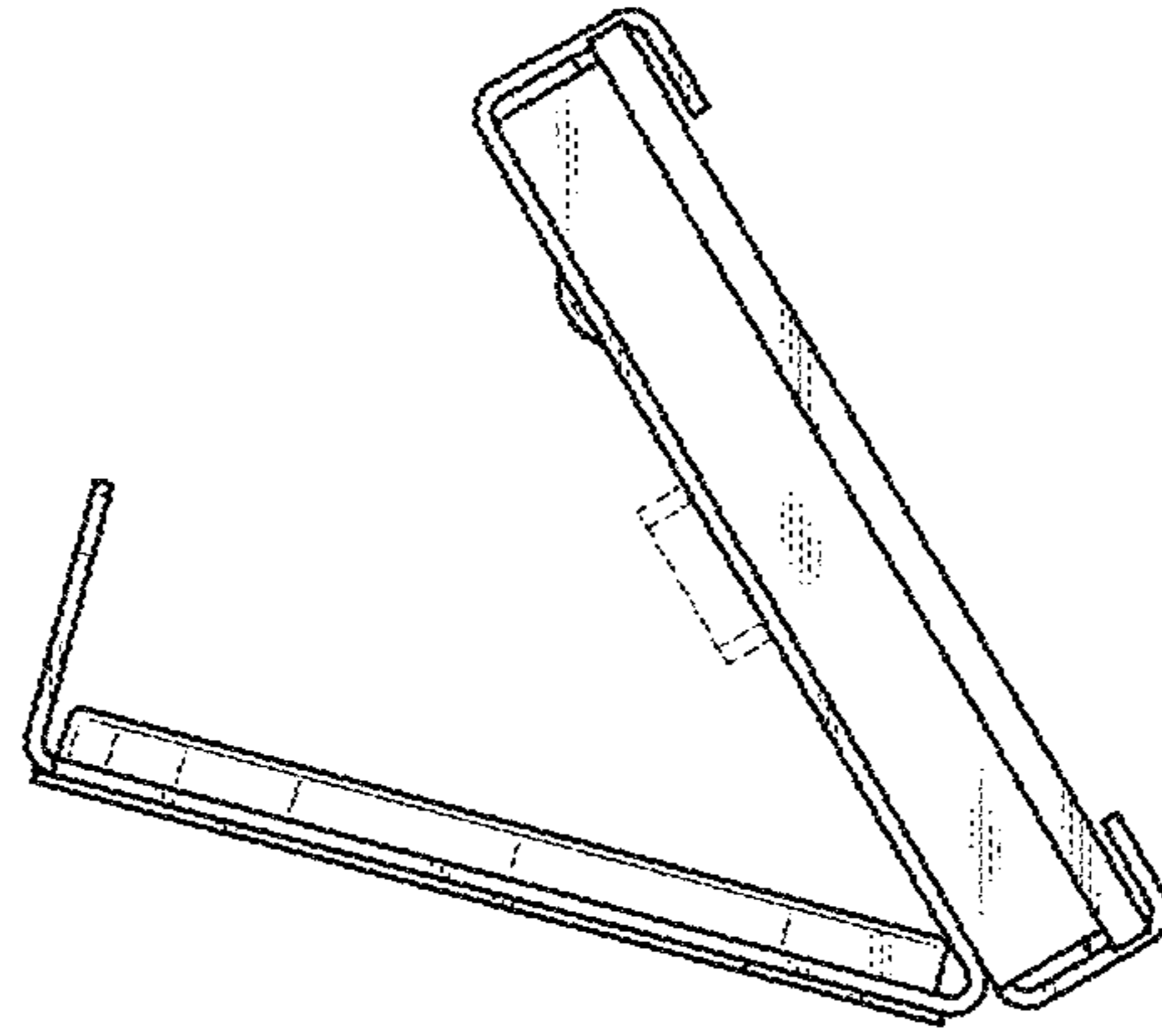


FIG. 5

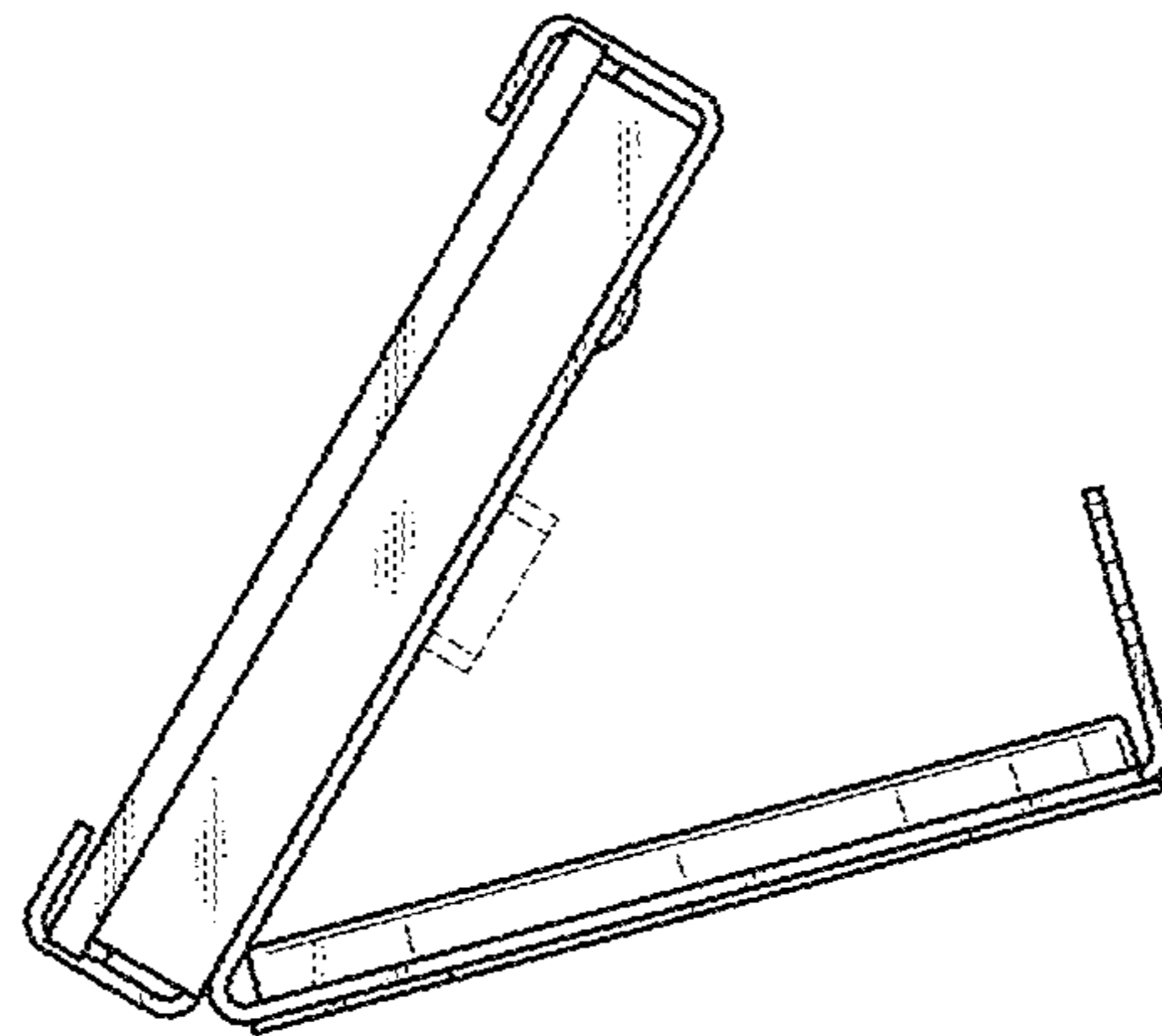


FIG. 6

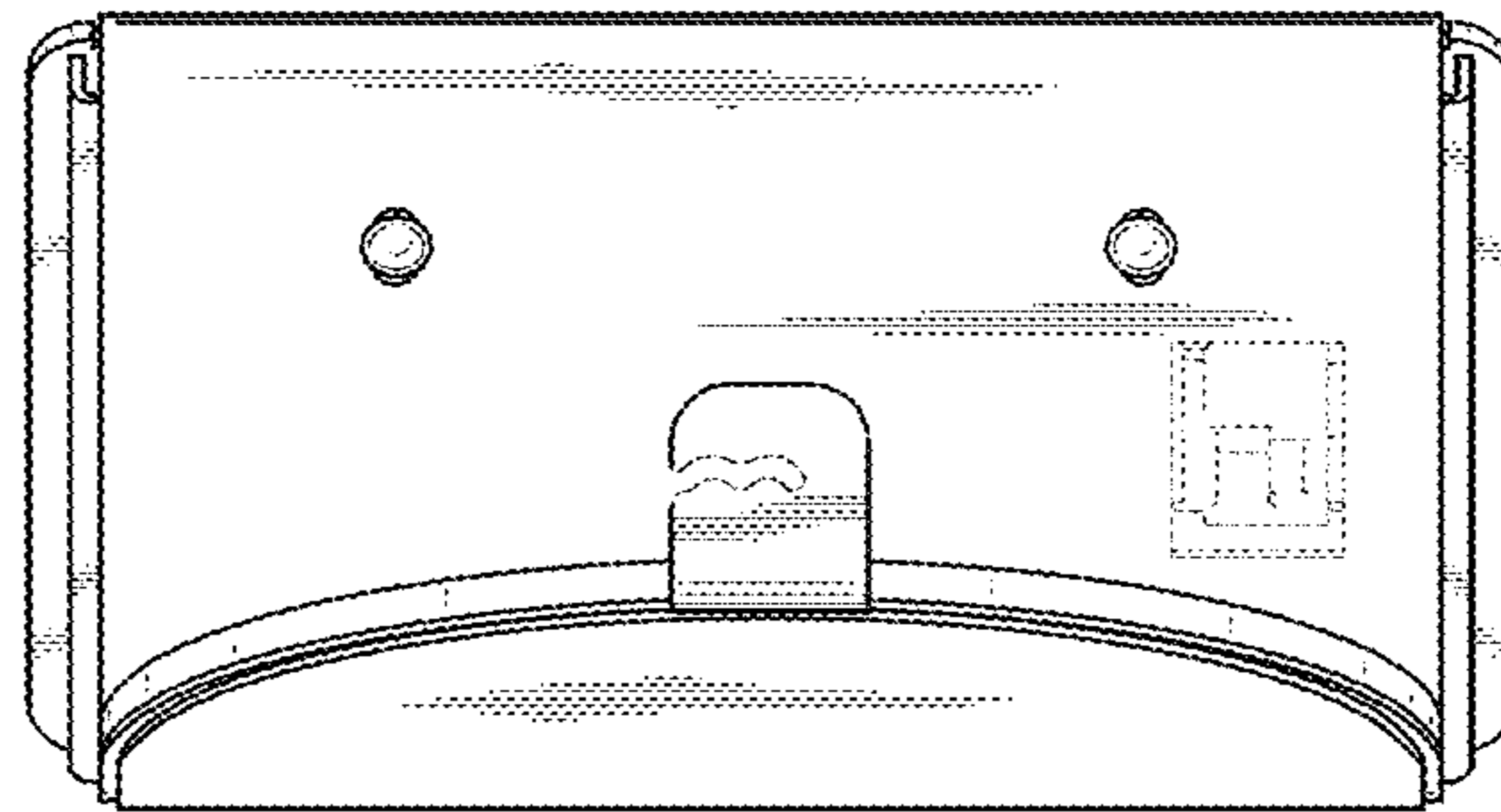


FIG. 7