



US00D786094S

(12) **United States Design Patent**
Kim et al.

(10) **Patent No.:** **US D786,094 S**

(45) **Date of Patent:** **** May 9, 2017**

(54) **CONTAINER FOR FOOD PACKING**

CPC .. A61C 17/005; A61C 19/006; B65D 43/162;
B65D 81/3453; B65D 1/00; B65D 1/30;
B65D 21/02; B65D 21/0206; B65D
2571/00277; B65D 71/40; B65D 71/50;
B65D 2543/00194; B65D 2543/00296;
(Continued)

(71) Applicant: **CJ CHEILJEDANG CORP.**, Seoul
(KR)

(72) Inventors: **Jung Woo Kim**, Seoul (KR); **Yul
Joong Kim**, Seoul (KR); **Seol Hee Son**,
Seoul (KR)

(56) **References Cited**

(73) Assignee: **CJ CHEILJEDANG
CORPORATION**, Seoul (KR)

U.S. PATENT DOCUMENTS

(**) Term: **15 Years**

3,115,266 A * 12/1963 Poupitch B65D 71/0003
206/203
3,142,407 A * 7/1964 Poupitch B65D 71/0003
206/203

(21) Appl. No.: **29/535,702**

(Continued)

(22) Filed: **Aug. 10, 2015**

OTHER PUBLICATIONS

(30) **Foreign Application Priority Data**

CJ Cooked White Rice Container (via amazon.com), available Jan.
17, 2012, [online], [site visited Dec. 6, 2016]. Available from
internet, <URL: <https://www.amazon.com/CJ-Cooked-White-7-4-Ounce-Containers/dp/B003U97L1Y>>.*

May 21, 2015 (KR) 30-2015-0025937

(51) **LOC (10) Cl.** **09-03**

(Continued)

(52) **U.S. Cl.**

USPC **D9/758**; D9/761

(58) **Field of Classification Search**

USPC D9/756, 715-717, 737, 414-417, 421,
D9/424, 425, 428-432, 524, 516, 721;
D7/354, 392.1, 394, 396.1, 538, 543-545,
D7/550.1, 551, 554.3, 587, 566, 575, 584,
D7/619, 629, 667, 318, 319, 619.1,
D7/553.6-553.7, 554.2, 602;
229/400-406, 932, 906.1; D24/104, 105,
D24/176-180, 227; D6/530, 63.5, 553,
D6/557, 541, 775, 776, 119, 470, 508,
D6/521.1, 545, 806, 217, 820; 220/608,
220/780-806, 475, 674, 675, 4.21-4.27,
220/555, 556, 810, 836, 837, 841, 366.1,
220/367, 574, 602-607, 835, 839,
220/656-659, 669-673, 912, 23.4;
249/119; D28/8.1; D3/302, 314;
219/725, 728, 735; 366/602; 433/49,
433/163, 91, 50, 77, 79, 166, 125

Primary Examiner — Cathron Brooks

Assistant Examiner — Teddy Falloway

(74) *Attorney, Agent, or Firm* — Jeremy Jay

(57)

CLAIM

The ornamental design for a container for food packing, as
shown and described.

DESCRIPTION

FIG. 1 is a perspective view of a container for food packing
of the present invention.

FIG. 2 is a front elevational view thereof;

FIG. 3 is a rear elevational view thereof;

FIG. 4 is a left side elevational view thereof;

FIG. 5 is a right side elevational view thereof;

FIG. 6 is a top plan view thereof; and,

FIG. 7 is a bottom plan view thereof.

1 Claim, 7 Drawing Sheets



(58) **Field of Classification Search**

CPC B65D 2543/00509; B65D 43/021; B65D
 2543/00101; B65D 2543/00537; B65D
 2543/00555; B65D 2577/2066; B65D
 1/36; B65D 2101/0015

See application file for complete search history.

D741,168 S * 10/2015 Kervazo D9/425
 D742,217 S * 11/2015 Bouveret D9/425
 D742,759 S * 11/2015 Ryan D9/702
 2011/0226789 A1* 9/2011 Georgelos B32B 27/18
 220/677
 2014/0350135 A1* 11/2014 Georgelos C08L 23/0815
 521/138
 2015/0096981 A1* 4/2015 Yu B65D 21/0206
 220/23.83

(56) **References Cited**

U.S. PATENT DOCUMENTS

D264,244 S * 5/1982 Olsen D24/226
 D273,842 S * 5/1984 Jeannin D9/424
 4,986,432 A * 1/1991 Anghileri A21B 3/131
 206/820
 5,601,186 A * 2/1997 Van Hine B65D 71/40
 206/141
 5,855,275 A * 1/1999 Hunter B65D 71/16
 206/429
 D456,707 S * 5/2002 Agarwal D9/717
 6,523,686 B1 * 2/2003 Bae B65D 1/30
 206/315.9
 D535,195 S * 1/2007 Schwab D9/756
 D672,209 S * 12/2012 Lion D7/629
 D700,838 S * 3/2014 Oommen D9/425
 D718,641 S * 12/2014 Ryan D9/433
 D739,230 S * 9/2015 Kervazo D9/425
 D739,724 S * 9/2015 Kervazo D9/425
 D740,115 S * 10/2015 Kervazo D9/425

OTHER PUBLICATIONS

“Danone Canada goes for more impact with less packaging” (via Canadian Grocer), available Mar. 22, 2015, [online], [site visited Dec. 6, 2016]. Available from internet, <URL: <http://www.canadiangrocer.com/top-stories/danone-canada-goes-for-big-impact-with-less-packaging-50919>>.*
 “Danone Introduces Activia Cashew Nut to Brazilia” (via PopSop), available Nov. 11, 2009, [online], [site visited Dec. 6, 2016]. Available from internet, <URL: <http://popsop.com/2009/11/danone-introduces-activia-cashew-nut-to-brazilia/>>.*
 “Current Cravings—Healthy Bites” (via Kirbie’s Cravings blog), available Mar. 24, 2013, [online], [site visited Dec. 6, 2016]. Available from internet, <URL: <http://kirbi cravings.com/2013/03/current-cravings-healthy-bites.html>>.*

* cited by examiner

FIG. 1



FIG. 2

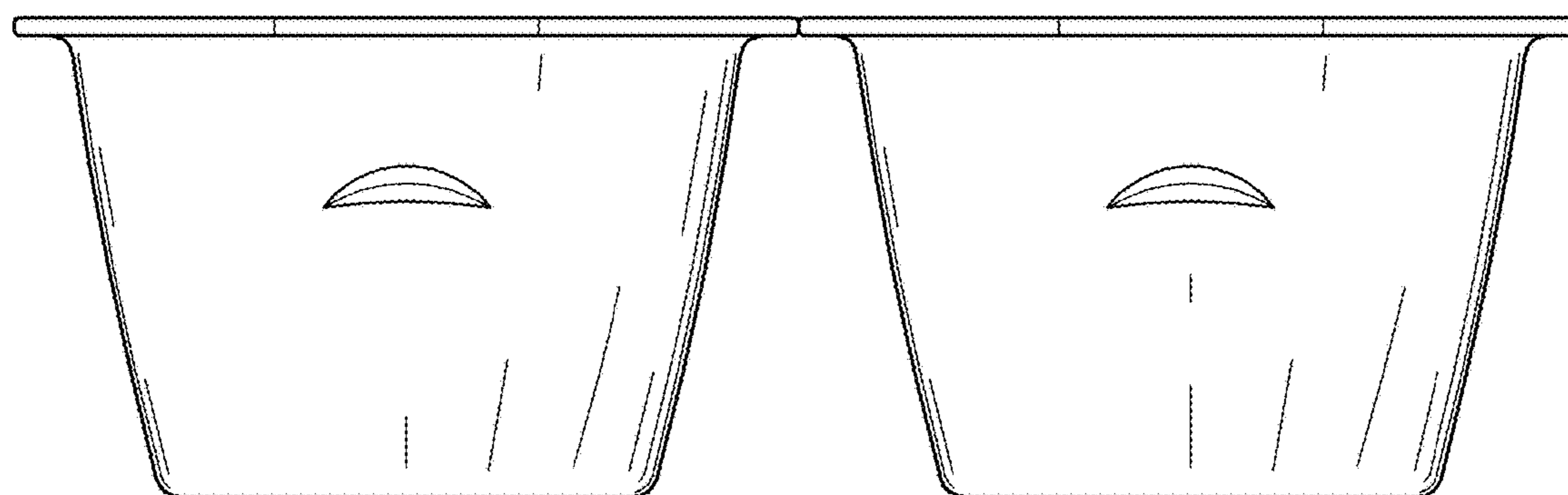


FIG. 3

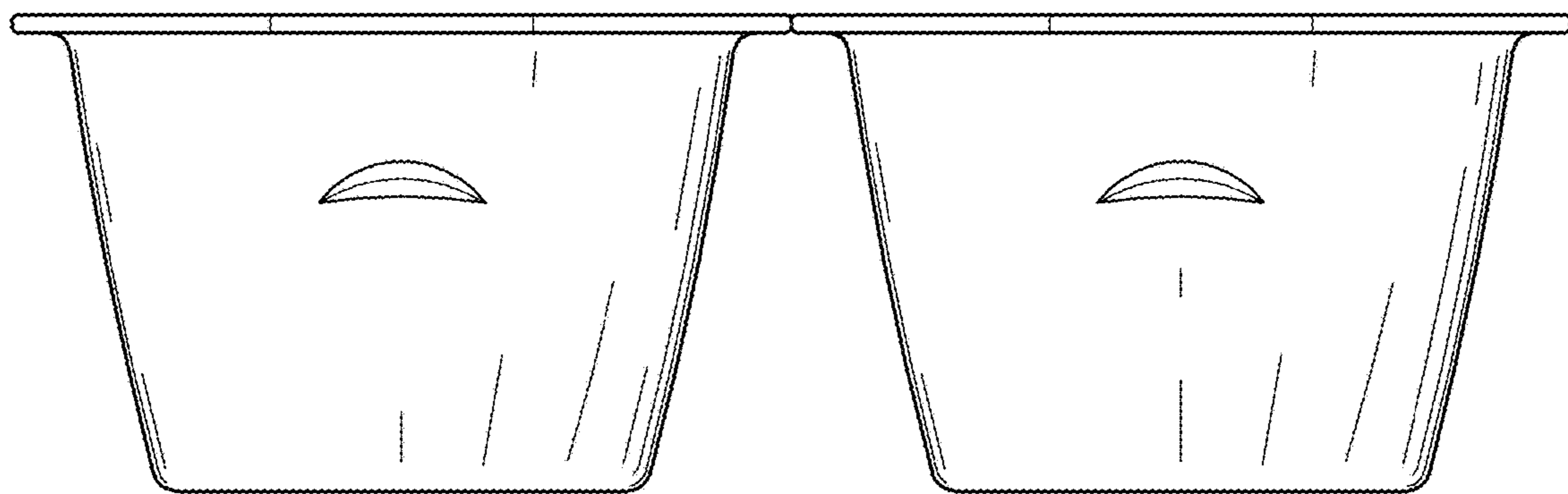


FIG. 4

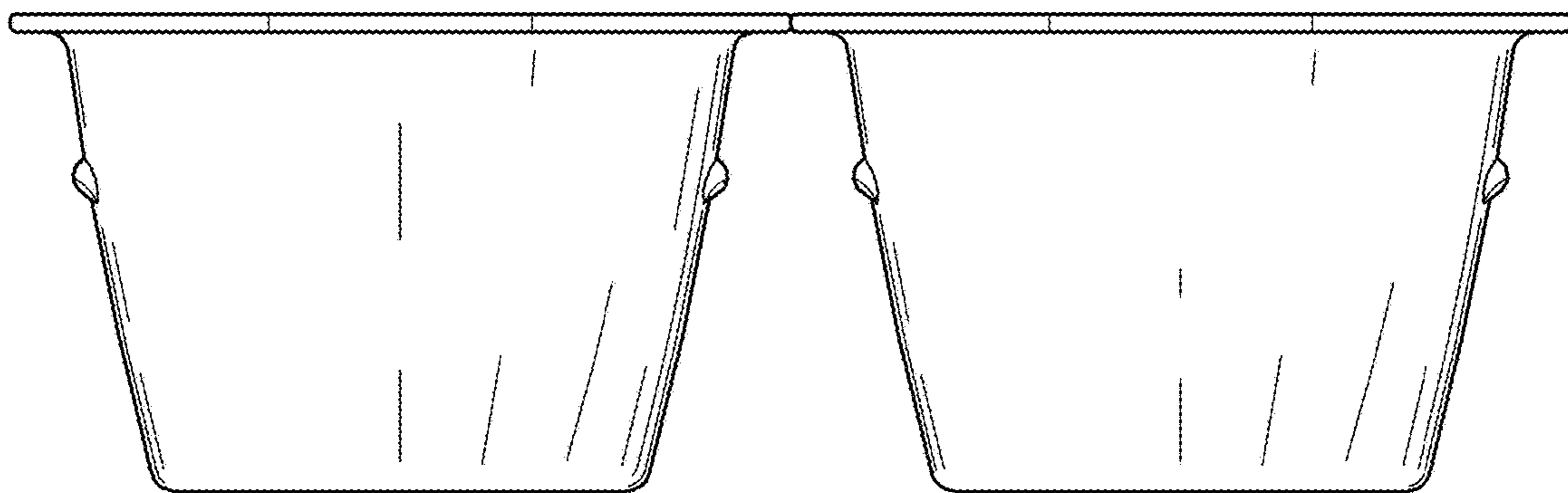


FIG. 5

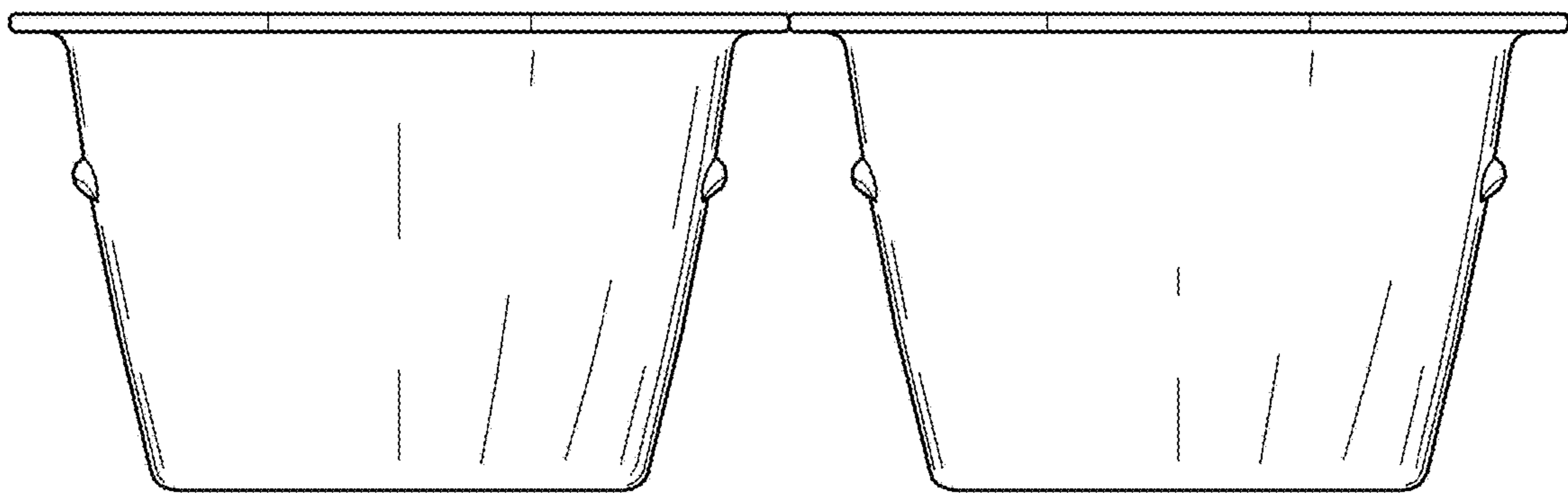


FIG. 6

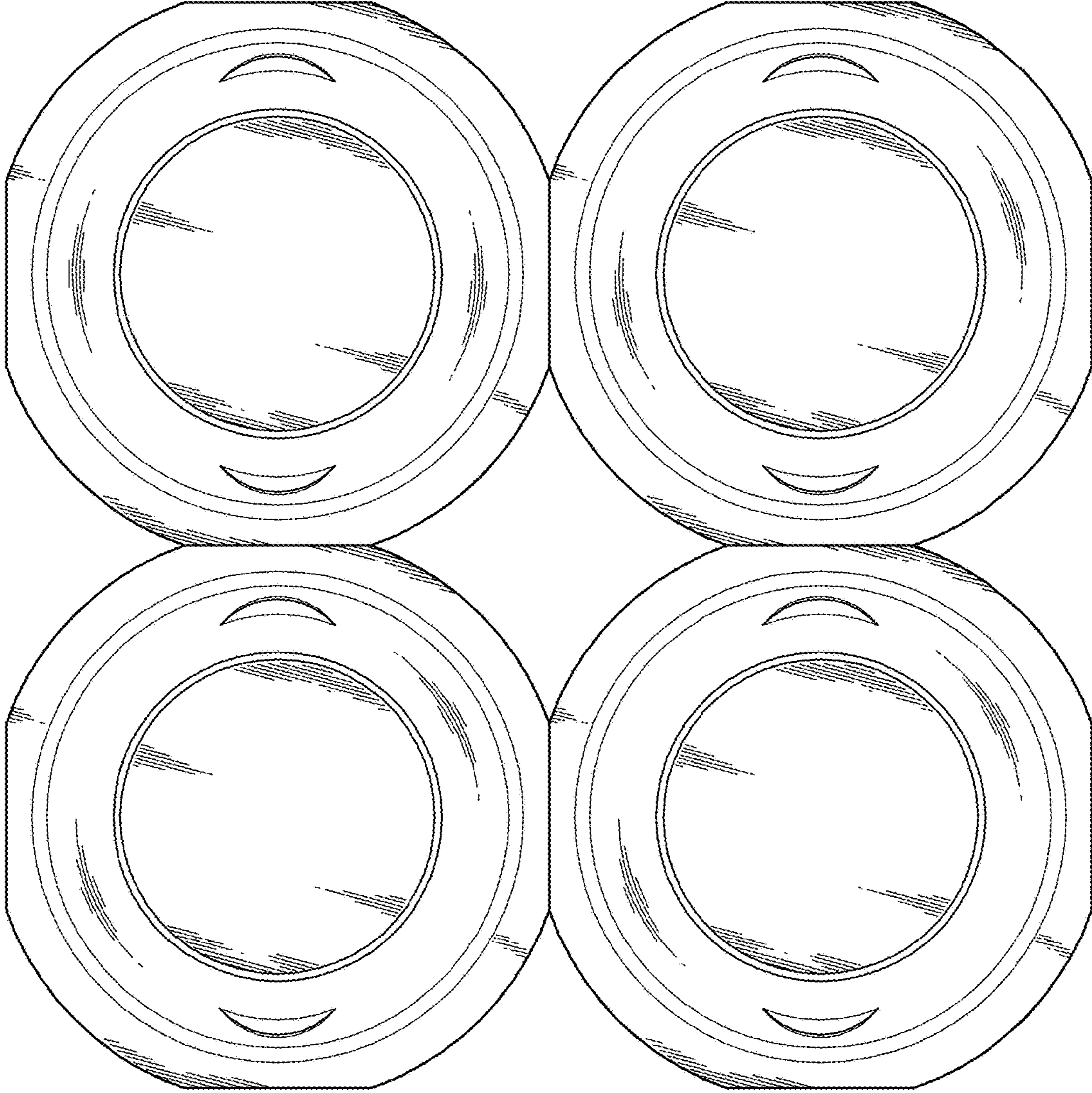


FIG. 7

