



US00D786093S

(12) **United States Design Patent** (10) **Patent No.:** **US D786,093 S**
Christie et al. (45) **Date of Patent:** **** May 9, 2017**

(54) **CONTAINER**

(71) Applicant: **The Gillette Company**, Boston, MA (US)

(72) Inventors: **Vanessa Christie**, Boston, MA (US);
Andrew Anthony Szczepanowski, North Attleboro, MA (US)

(73) Assignee: **The Gillette Company**, Boston, MA (US)

(**) Term: **15 Years**

(21) Appl. No.: **29/538,430**

(22) Filed: **Sep. 3, 2015**

Related U.S. Application Data

(62) Division of application No. 29/446,055, filed on Feb. 20, 2013, now Pat. No. Des. 740,692.

(51) **LOC (10) Cl.** **09-03**

(52) **U.S. Cl.**
USPC **D9/748**

(58) **Field of Classification Search**
USPC D9/737, 748, 749, 424, 434, 435, 456,
D9/457, 732, 735, 715, 721, 722,
(Continued)

(56) **References Cited**

U.S. PATENT DOCUMENTS

971,772 A 10/1910 Millar
D47,955 S * 10/1915 Karpeles D9/423
(Continued)

FOREIGN PATENT DOCUMENTS

WO WO-97/25189 7/1997

OTHER PUBLICATIONS

Gillette Venus Snap Razor, available Jul. 1, 2014, [online], [site visited Jan. 8, 2017]. Available from internet, <URL: <http://www.notcot.com/archives/2014/07/gillette-venus-snap.php>>.*

Primary Examiner — Cathron Brooks

Assistant Examiner — Teddy Falloway

(74) *Attorney, Agent, or Firm* — Ronald T. Sia; Kevin C. Johnson; Steven W. Miller

(57) **CLAIM**

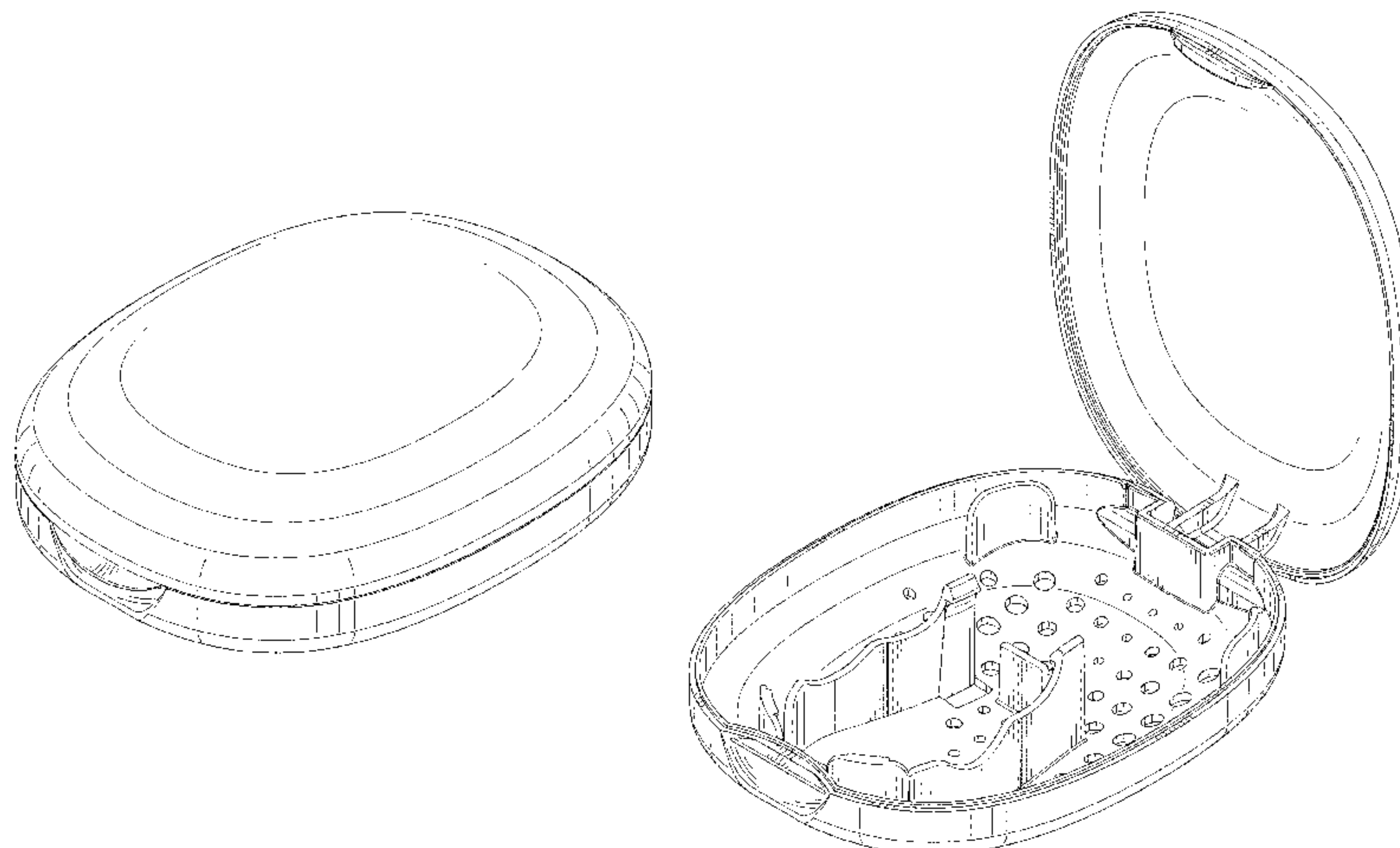
The ornamental design for a container, as shown and described.

DESCRIPTION

FIG. 1 is a perspective view of a container showing my new design, shown in an opened configuration, and with a broken line showing of the environment;
 FIG. 2 is a top view thereof;
 FIG. 3 is a bottom view thereof;
 FIG. 4 is a right view thereof;
 FIG. 5 is a left view thereof;
 FIG. 6 is a front view thereof;
 FIG. 7 is a rear view thereof;
 FIG. 8 is perspective view of the container of FIG. 1, but shown in a closed configuration;
 FIG. 9 is top view thereof;
 FIG. 10 is a bottom view thereof;
 FIG. 11 is a right view thereof;
 FIG. 12 is a left view thereof;
 FIG. 13 is a front view thereof;
 FIG. 14 is a rear view thereof;
 FIG. 15 is a perspective view of the container of FIG. 1, but without the broken line showing of the environment;
 FIG. 16 is top view thereof;
 FIG. 17 is a bottom view thereof;
 FIG. 18 is a right view thereof;
 FIG. 19 is a left view thereof;
 FIG. 20 is a front view thereof; and,
 FIG. 21 is a rear view thereof.

The dashed broken lines are directed to the environment and are for illustrative purposes only and form no part of the claimed design.

1 Claim, 14 Drawing Sheets



(58) **Field of Classification Search**

USPC D9/754-756, 414-420, 423, 444, 446,
 D9/454, 432, 426, 700, 686, 688, 689,
 D9/390; D3/318, 232, 242, 243, 269,
 D3/270, 273, 276, 289, 301, 201, 203.1,
 D3/203.2, 203.3, 203.4, 203.5, 203.6,
 D3/203.7, 203.8, 205, 275, 294;
 D28/76-78, 82, 83, 91, 44, 45, 73;
 D27/136; 206/63.5, 553, 557, 541, 775,
 206/776, 119, 470, 508, 521.1, 545, 806,
 206/217, 820, 307, 307.1, 308.1, 312,
 206/228, 354; 29/401.1; 30/526, 541;
 D10/18, 30, 31, 37, 40, 45; 220/608,
 220/780-806, 475, 674, 675, 4.21-4.24,
 220/555, 556, 810, 836, 837, 841, 366.1,
 220/367; 426/106

CPC .. A45D 27/22; A45D 27/225; B65D 21/0202;
 B65D 75/24; B65D 75/323; B65D
 75/327; B65D 81/025; B65D 5/4204;
 B65D 1/30; B65D 75/366; B65D 75/367;
 B65D 77/2068; B26B 21/40; B26B
 21/521; B26B 21/522; B26B 21/528

See application file for complete search history.

(56) **References Cited**

U.S. PATENT DOCUMENTS

1,234,834 A 7/1917 Warren
 1,613,798 A 1/1927 Kendall
 1,647,004 A * 10/1927 Hyde A45D 33/006
 132/296
 1,695,287 A 12/1928 Kasdan et al.
 2,070,430 A 2/1937 Wallenthin
 2,122,158 A 6/1938 Segal
 2,338,880 A 1/1944 Testi
 D144,278 S 3/1946 Wohl
 D146,916 S 6/1947 Hornung
 D146,918 S 6/1947 Hornung
 2,517,758 A 8/1950 Allen
 2,534,861 A 12/1950 Foltis
 D184,574 S 3/1959 Metzler et al.
 D185,636 S 7/1959 Glaberson
 D224,368 S * 7/1972 Bettonica D3/205
 D247,024 S 1/1978 Hauf
 D249,332 S 9/1978 Hauf
 4,167,059 A 9/1979 Iten
 D259,596 S 6/1981 Gray
 D262,585 S 1/1982 Anema
 D266,028 S 8/1982 Boyd
 D269,249 S 6/1983 Cillario
 D278,276 S 4/1985 Bakic
 D305,947 S 2/1990 Chevassus
 D310,480 S 9/1990 Geiger
 D313,175 S 12/1990 Motta et al.
 4,976,030 A 12/1990 Boyd
 5,020,037 A 5/1991 Raven
 5,107,871 A 4/1992 Butcher et al.
 5,129,157 A 7/1992 Wood
 D333,560 S * 3/1993 Miyashita D3/218
 D337,177 S * 7/1993 Tiramani D28/76
 D339,470 S 9/1993 Marks
 D349,207 S 8/1994 Wolff
 D349,242 S 8/1994 Lazarchik et al.
 D350,836 S 9/1994 Chevassus
 D351,682 S 10/1994 McIlvain
 D360,036 S 7/1995 Doria
 D362,517 S 9/1995 Pirmayer
 D363,142 S 10/1995 Shurtleff
 D364,707 S 11/1995 Shurtleff
 D367,211 S 2/1996 Cautereels
 D367,878 S 3/1996 Lee et al.
 5,497,551 A 3/1996 Apprille, Jr.
 D370,338 S 6/1996 Quist

D377,458 S 1/1997 Tsui
 D378,623 S 3/1997 Wonderley
 D381,768 S 7/1997 Shurtleff
 5,692,529 A 12/1997 Fekete
 5,799,511 A 9/1998 Benderly
 D400,011 S 10/1998 Palmer et al.
 D405,684 S 2/1999 Gager et al.
 D416,411 S * 11/1999 Carlson D6/515
 D419,865 S 2/2000 Gager et al.
 6,018,877 A 2/2000 Greene
 D424,751 S * 5/2000 Kudo D28/78
 D425,296 S 5/2000 Shurtleff
 6,112,421 A 9/2000 Greene
 D449,165 S 10/2001 van der Hulst
 D449,442 S * 10/2001 Snider D3/294
 D452,045 S 12/2001 Ferber
 6,370,783 B1 4/2002 Bozikis et al.
 D460,218 S 7/2002 Thorpe
 D462,512 S 9/2002 Wolf
 D473,680 S 4/2003 Saunders et al.
 D485,015 S 1/2004 Chue
 D485,057 S * 1/2004 Schroer D3/203.5
 D496,495 S * 9/2004 Jeffers D28/73
 6,817,468 B2 11/2004 Horesh
 6,823,594 B2 11/2004 Kludjian et al.
 6,824,006 B2 * 11/2004 Lambelet, Jr. B65D 43/164
 16/361
 D501,714 S 2/2005 Trybus
 D508,847 S 8/2005 Au
 D515,414 S 2/2006 Au
 D515,804 S 2/2006 Chue
 7,093,363 B1 * 8/2006 Kuo B26B 21/40
 30/32
 D531,022 S * 10/2006 Au D3/294
 D531,761 S 11/2006 Zadeh et al.
 D533,993 S * 12/2006 Coe D3/203.2
 D534,423 S 1/2007 Tanner
 D538,031 S 3/2007 Costa et al.
 D540,038 S * 4/2007 Hussaini D3/201
 D542,675 S 5/2007 Luxton et al.
 D544,343 S * 6/2007 Liebe D28/78
 D546,564 S 7/2007 Lo et al.
 D548,970 S 8/2007 Huang
 D549,119 S 8/2007 Becker
 D552,982 S * 10/2007 Liebe D28/78
 D561,470 S 2/2008 Jalet
 D565,289 S 4/2008 Christie et al.
 D570,098 S 6/2008 Luzon
 D571,506 S * 6/2008 Washington D28/82
 D580,598 S * 11/2008 Yamada D28/82
 D584,964 S 1/2009 Schulz et al.
 D586,665 S 2/2009 Murgida et al.
 D588,799 S 3/2009 Garland et al.
 D596,953 S 7/2009 Wonderley et al.
 D599,958 S * 9/2009 Washington D28/82
 D600,913 S 9/2009 Kalbach
 D602,245 S 10/2009 Christie et al.
 D602,246 S 10/2009 Paik
 D604,501 S 11/2009 Lee
 D609,009 S 2/2010 Schaal et al.
 D612,595 S * 3/2010 McCurdy D3/218
 D613,944 S 4/2010 Molina
 D613,945 S 4/2010 Molina
 D625,611 S 10/2010 Higuchi et al.
 D625,913 S 10/2010 Phillips
 D628,573 S 12/2010 Wang
 D630,505 S 1/2011 Westemeyer et al.
 7,874,076 B2 1/2011 Gratsias et al.
 D634,115 S 3/2011 Long et al.
 D636,598 S 4/2011 Tseng et al.
 7,975,389 B2 7/2011 Bozikis et al.
 D643,294 S 8/2011 Thorpe et al.
 D644,789 S 9/2011 Lukan et al.
 D649,323 S * 11/2011 Ashiwa 82/52
 D649,341 S 11/2011 Long et al.
 D652,617 S 1/2012 Chen
 D657,210 S 4/2012 Smiedt et al.
 D659,991 S 5/2012 Long et al.
 D660,590 S 5/2012 Seidel

(56)

References Cited

U.S. PATENT DOCUMENTS

D663,943 S	7/2012	Walsh et al.	2005/0115855 A1*	6/2005	Hilel	A45C 11/008 206/440	
D668,457 S *	10/2012	Mimlitch, III	D3/294	2007/0256946 A1*	11/2007	Godshaw	B65D 25/10 206/320
D673,366 S	1/2013	Schumann et al.	2009/0056151 A1	3/2009	Kohring et al.		
8,342,322 B2	1/2013	De'Rennaux	2009/0057170 A1	3/2009	Kohring et al.		
D675,434 S	2/2013	Vernall et al.	2009/0172958 A1*	7/2009	Prudden, Jr.	A45D 27/22 30/539	
D675,823 S	2/2013	Vernall et al.	2009/0321292 A1	12/2009	Prudden et al.		
D681,938 S	5/2013	Pan	2011/0016734 A1	1/2011	Kludjian et al.		
D682,538 S	5/2013	Rollo	2011/0088268 A1	4/2011	Marut		
D689,618 S	9/2013	Valderrama et al.	2011/0219620 A1	9/2011	Rehbein et al.		
8,770,398 B1	7/2014	Krok et al.	2011/0308098 A1	12/2011	De'Rennaux		
D715,139 S	10/2014	Marcinkowski	2012/0042478 A1	2/2012	Bridges		
D720,526 S	1/2015	Lopez-Stout	2013/0256179 A1	10/2013	Limback		
D740,692 S *	10/2015	Christie	D9/748	2014/0230255 A1	8/2014	Stevens et al.	
D774,760 S *	12/2016	Martinetti	D3/294	2014/0230257 A1	8/2014	Eagleton et al.	
2003/0033717 A1	2/2003	Cecil		2014/0230258 A1	8/2014	Eagleton et al.	
2004/0020509 A1	2/2004	Waisman					

* cited by examiner

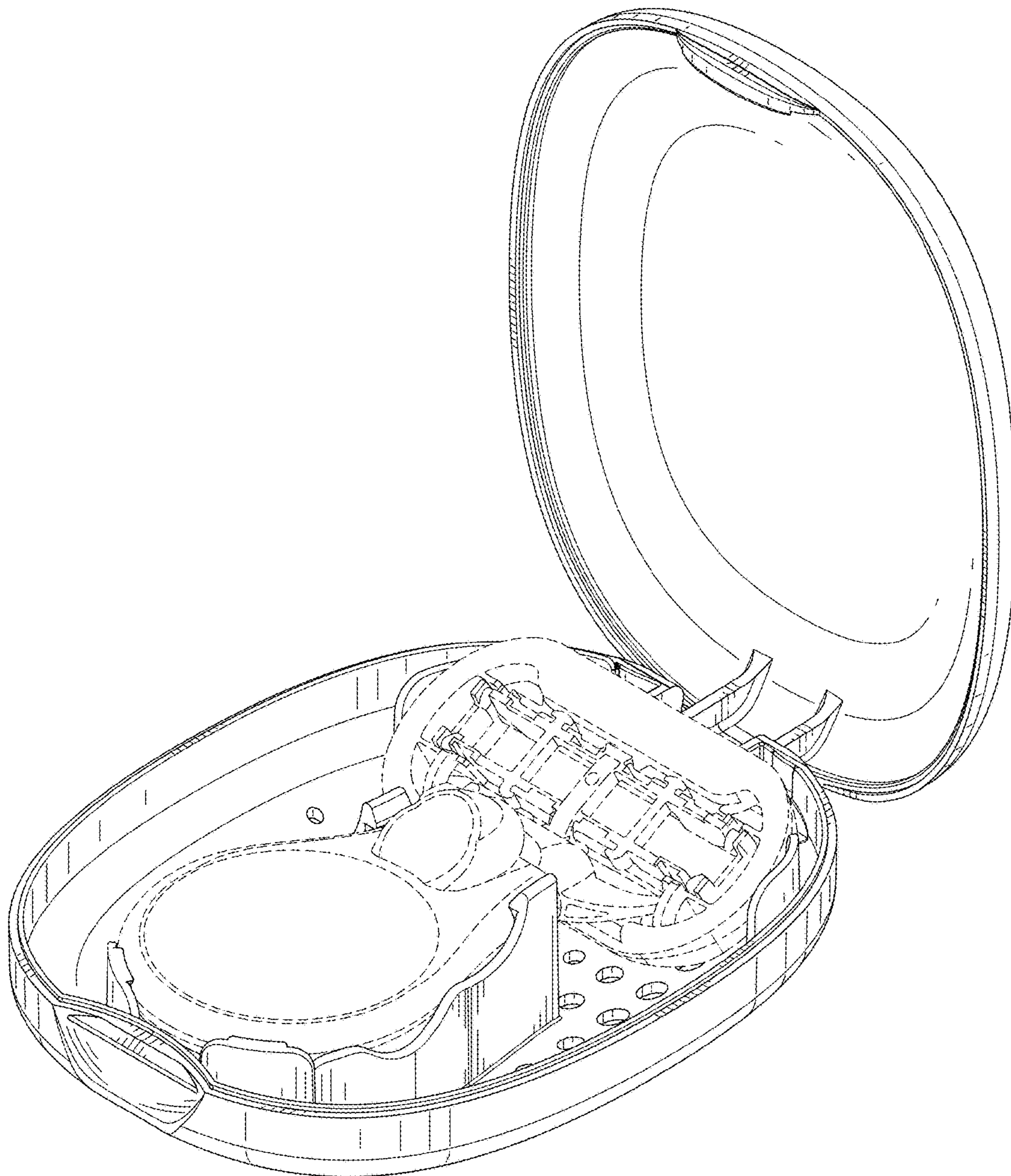


FIG. 1

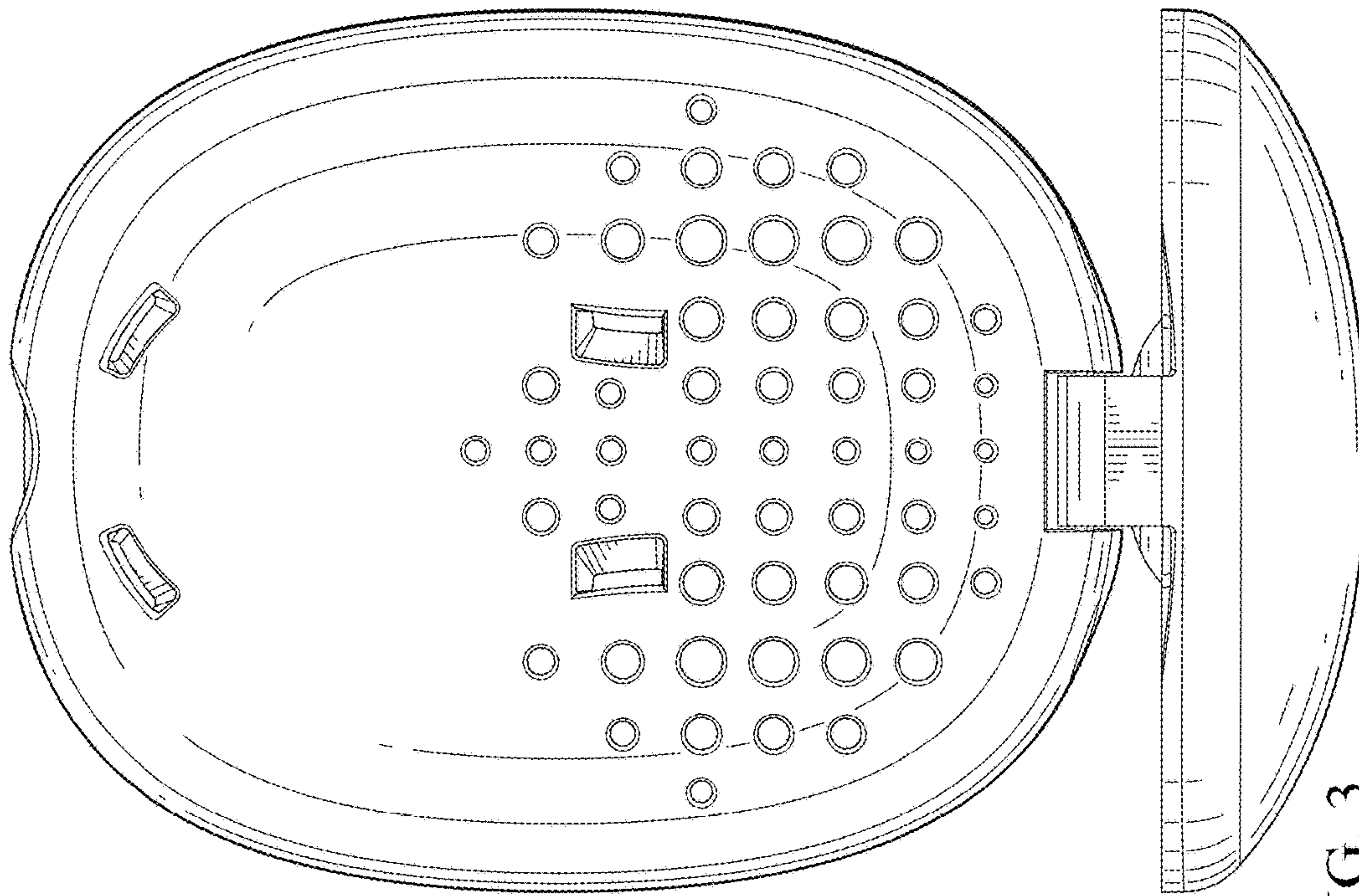


FIG. 3

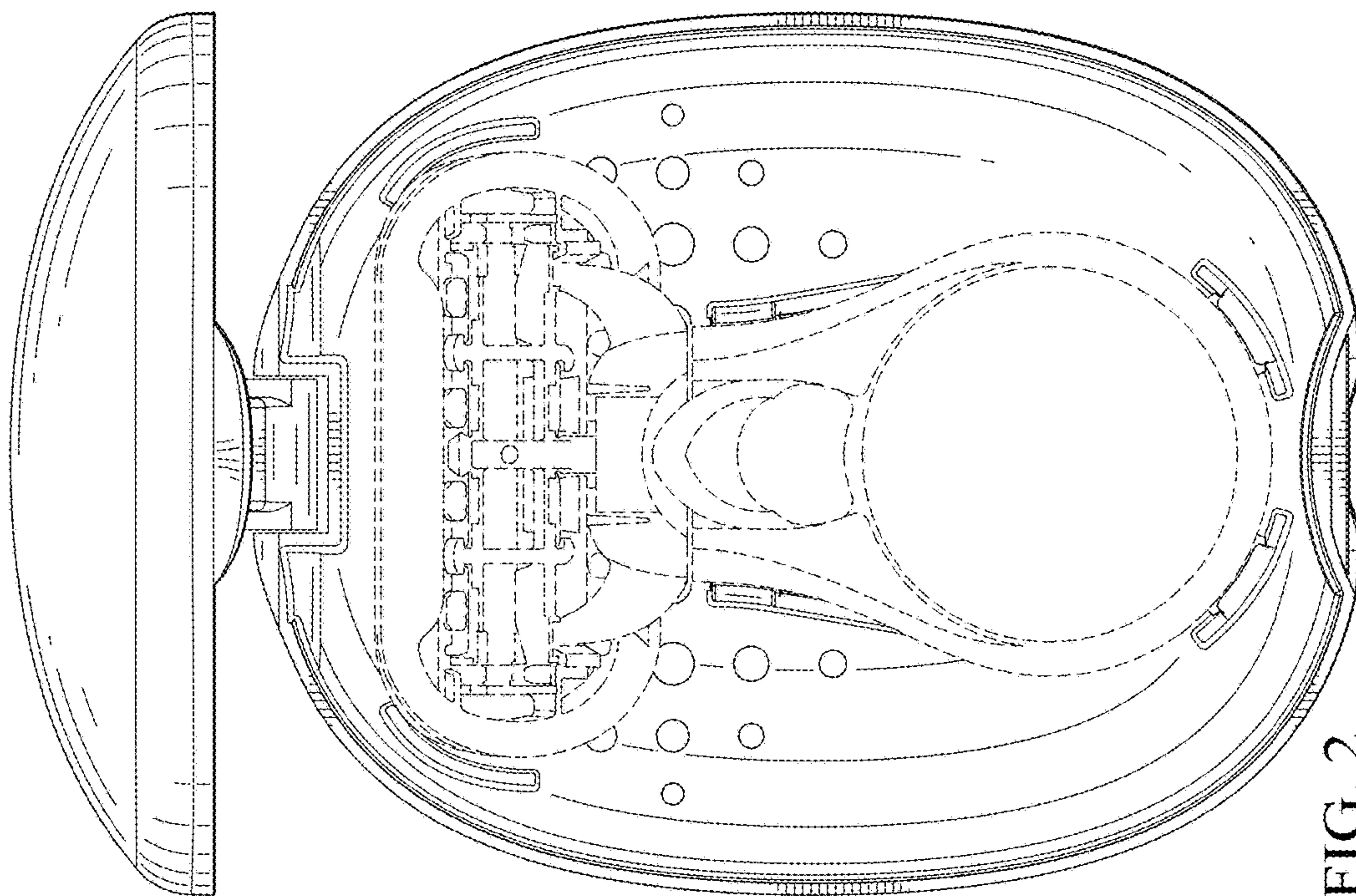


FIG. 2

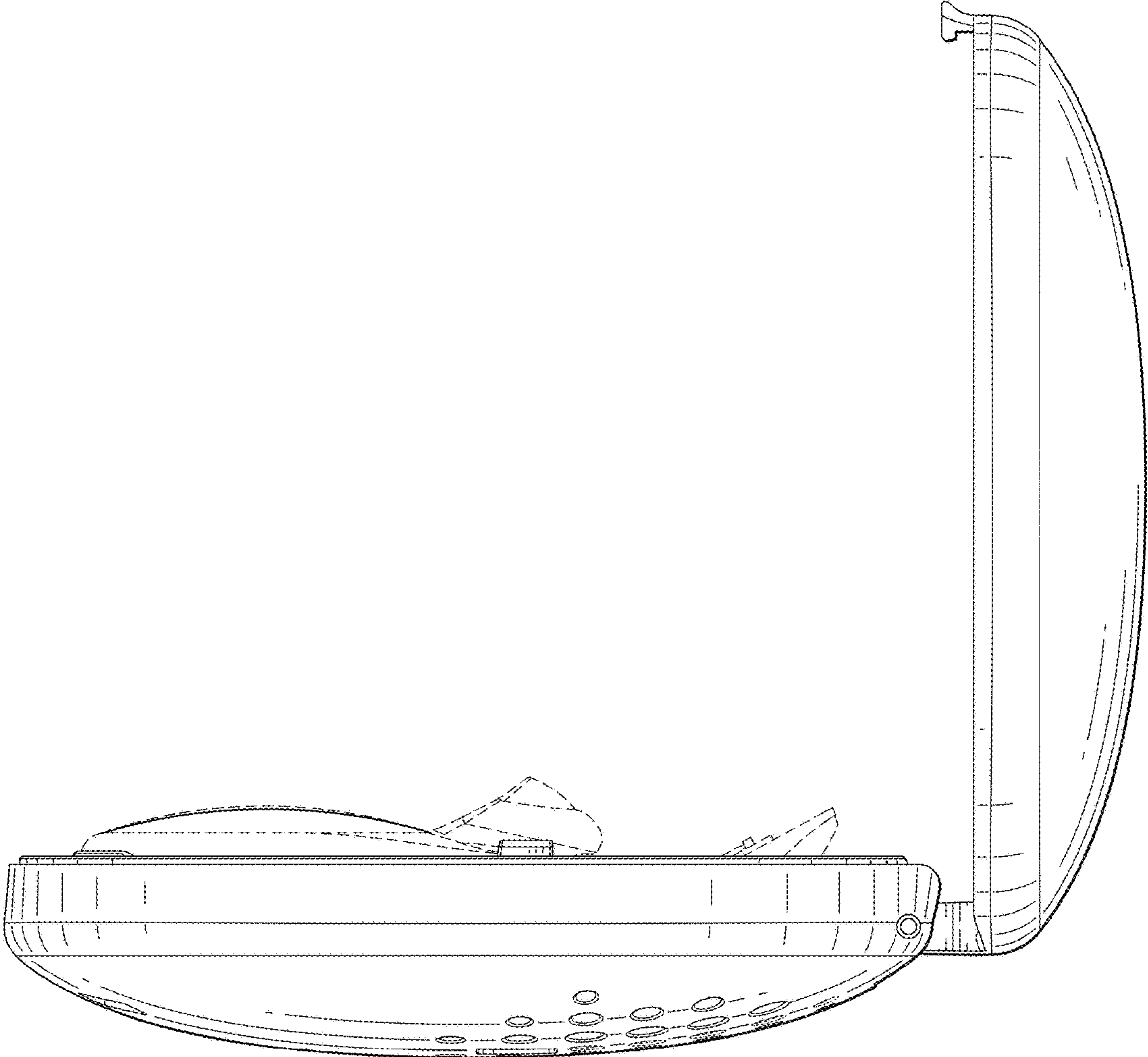


FIG. 4

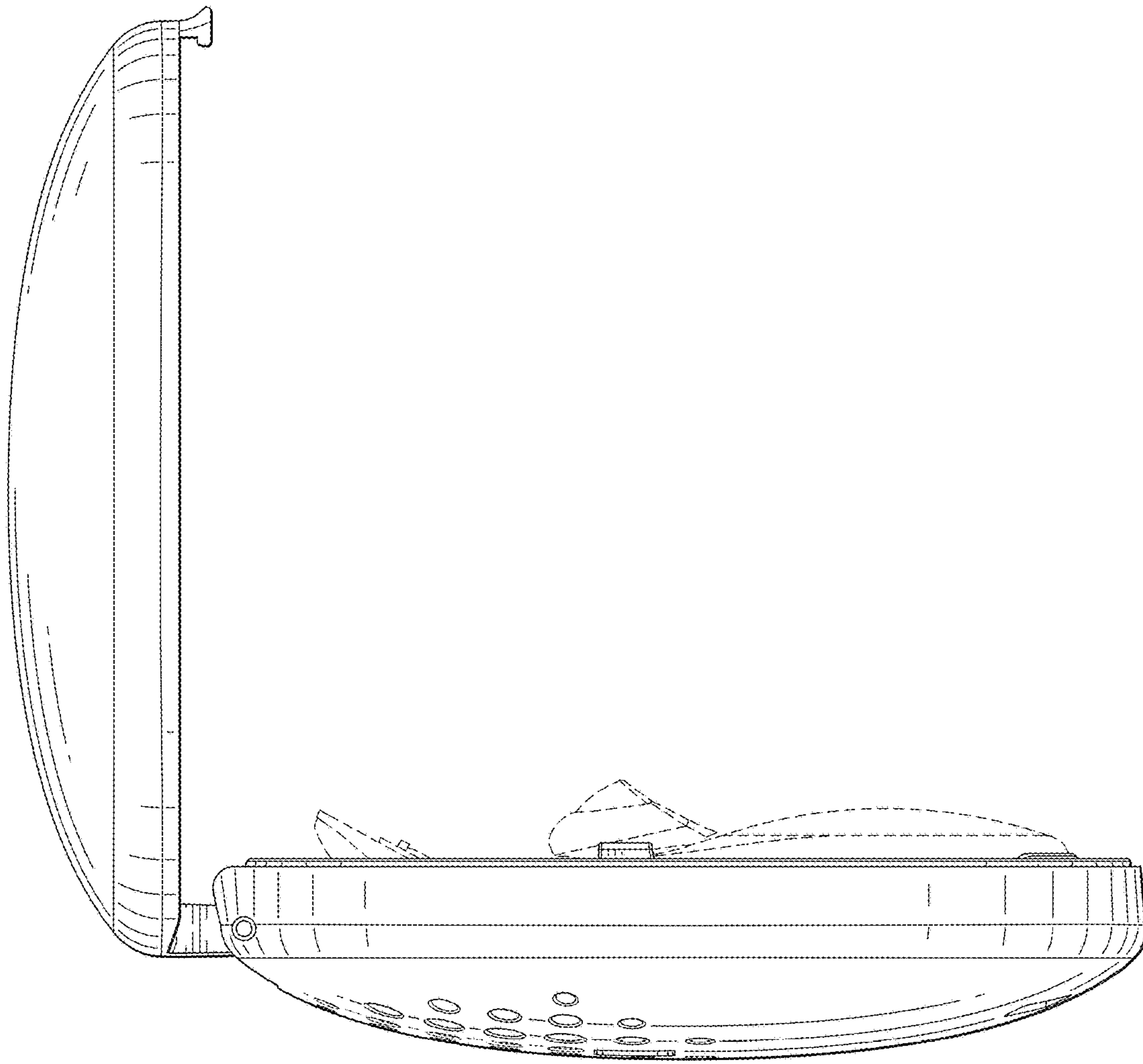


FIG. 5

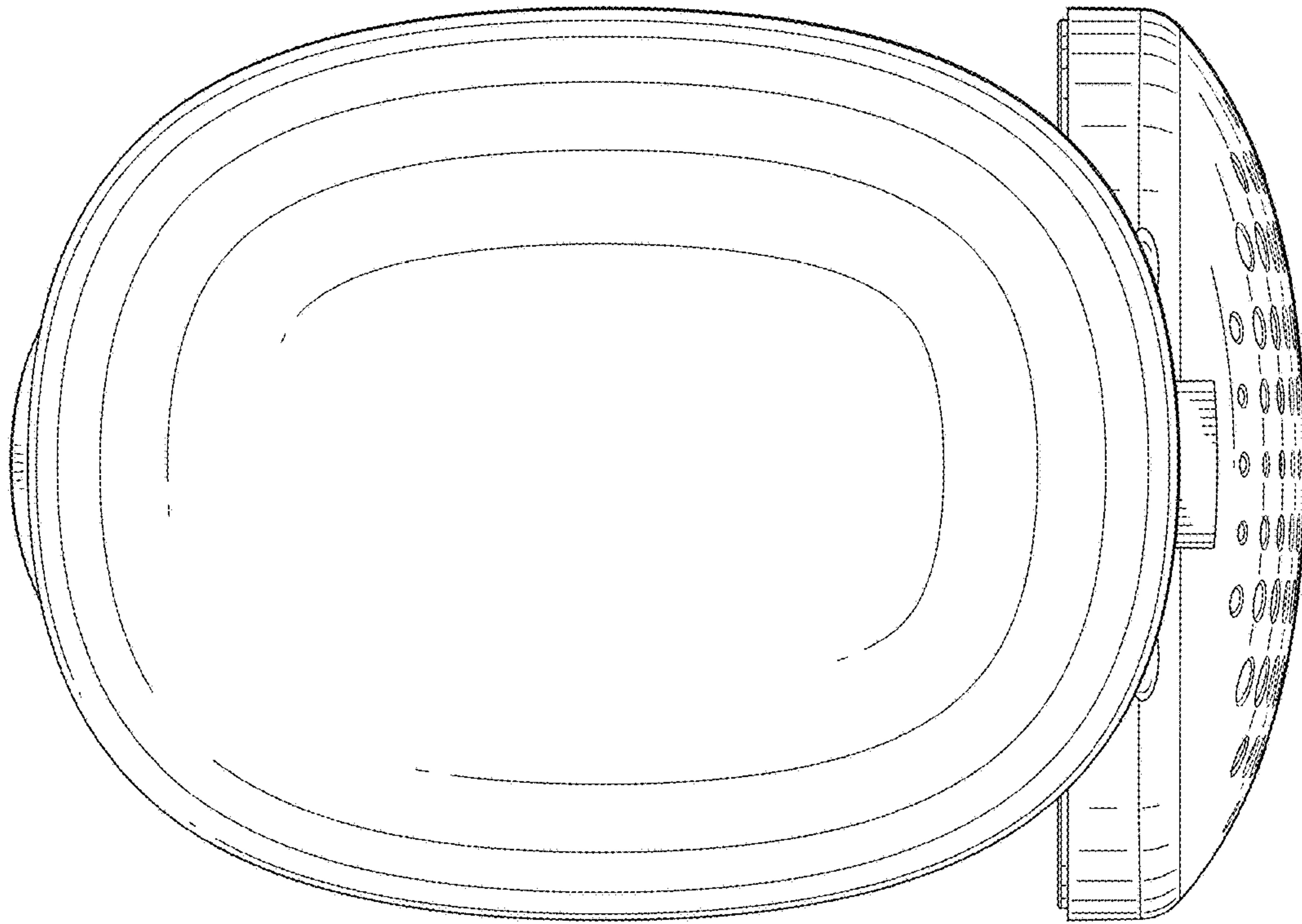


FIG. 7

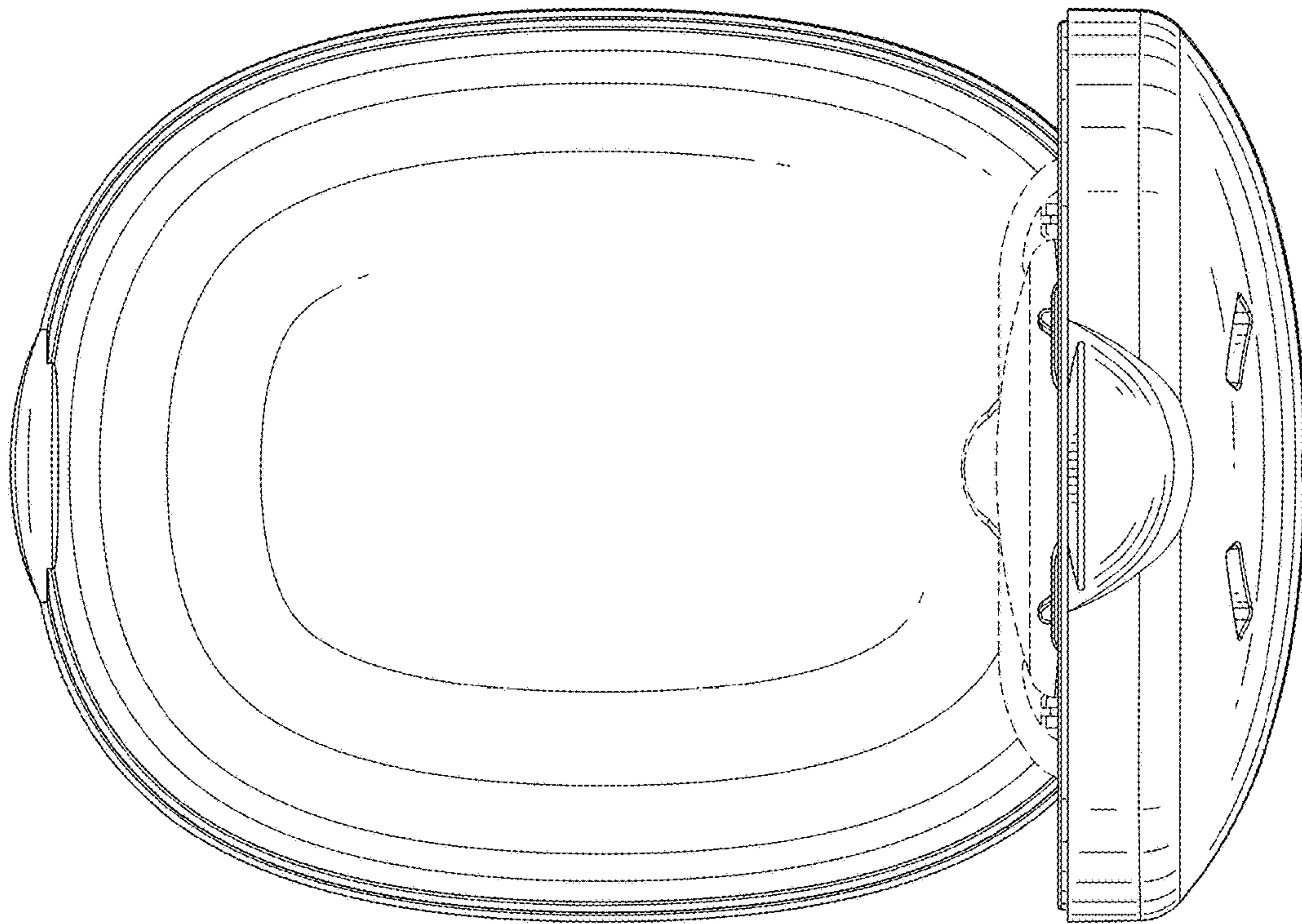


FIG. 6

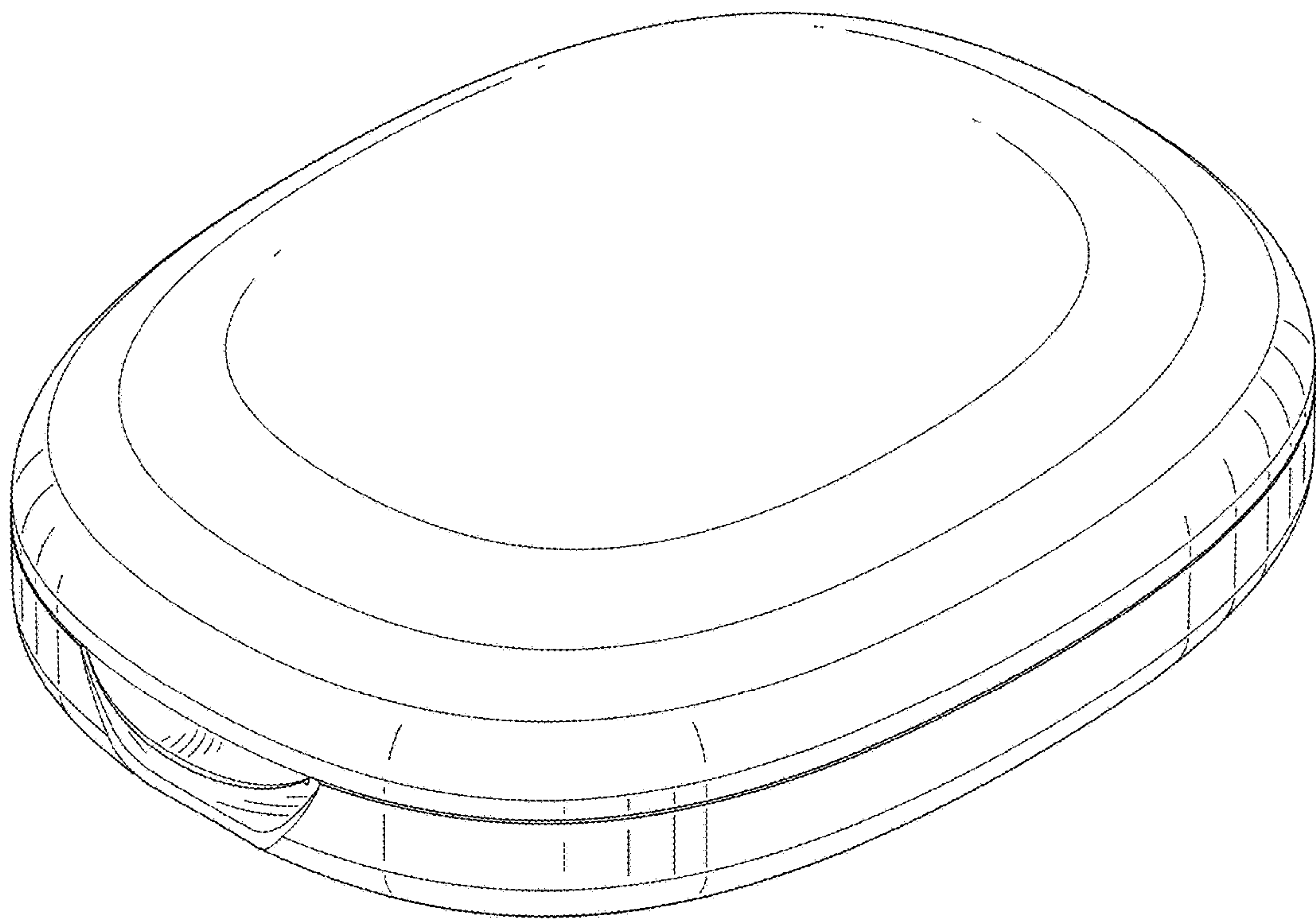


FIG. 8

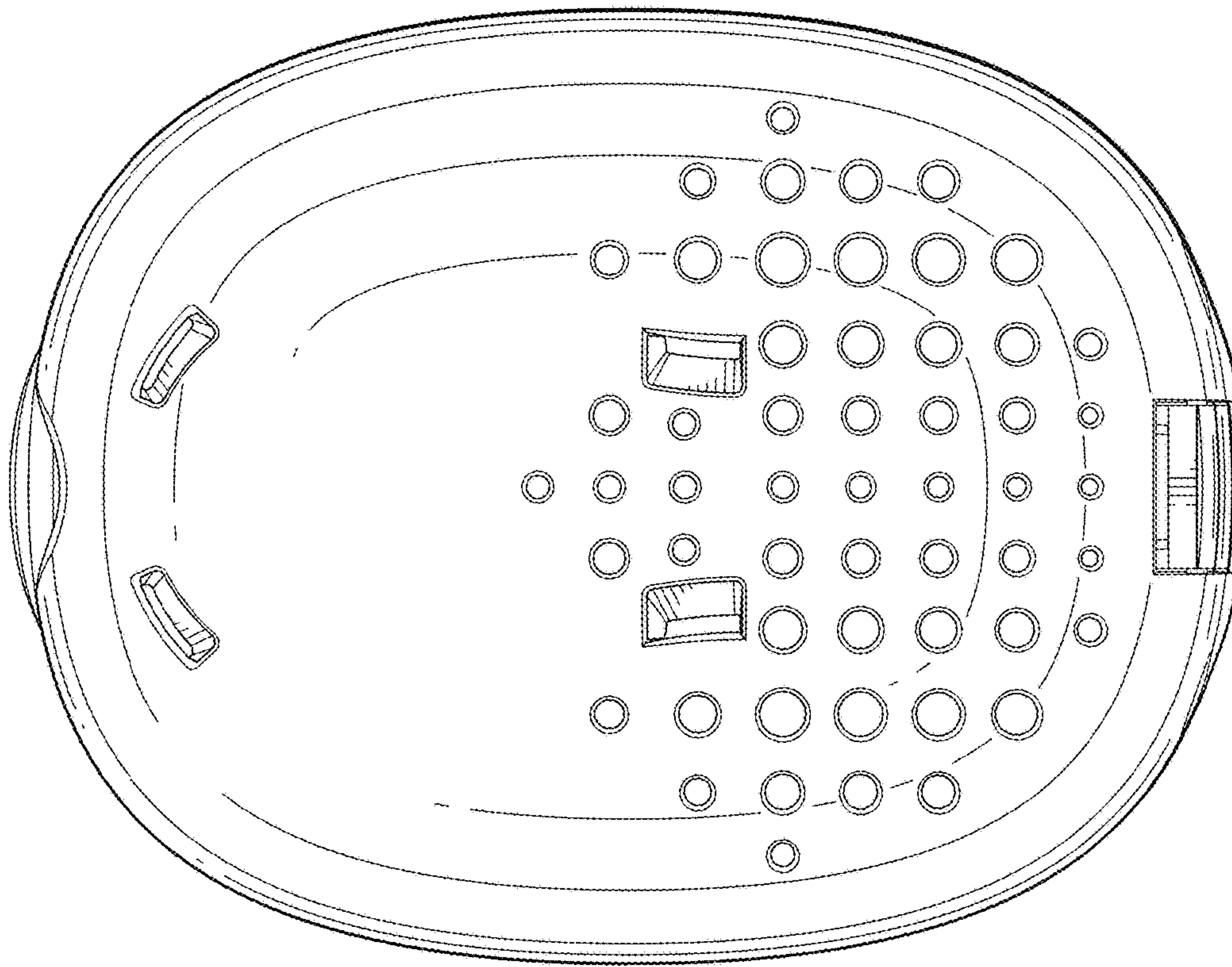


FIG. 10

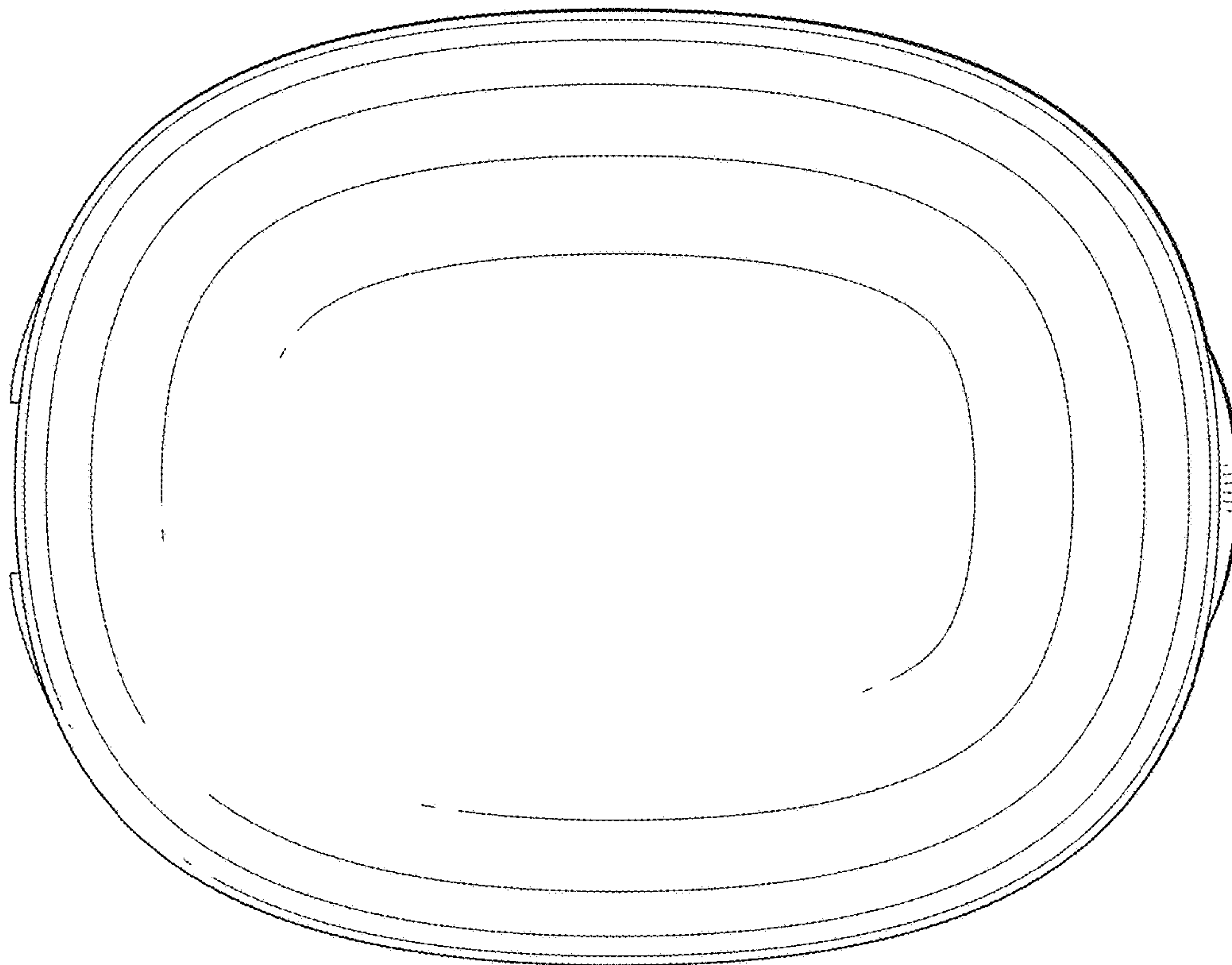


FIG. 9

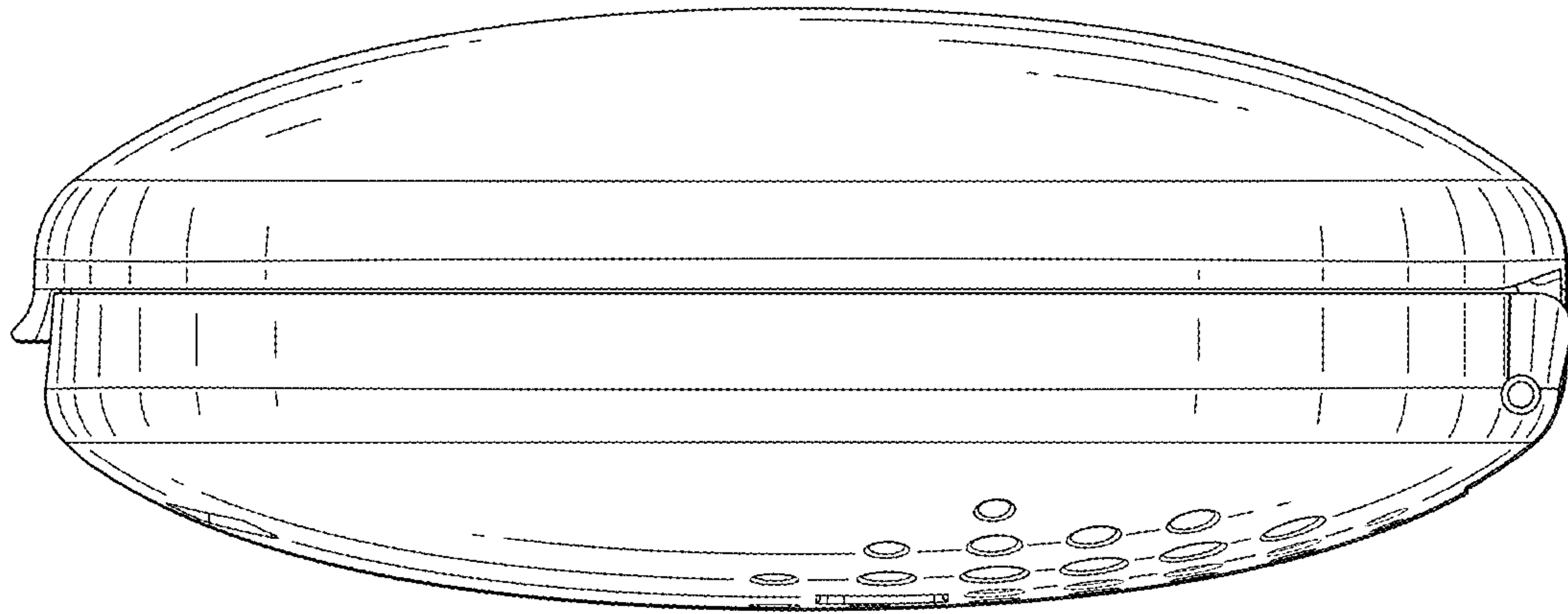


FIG. 11

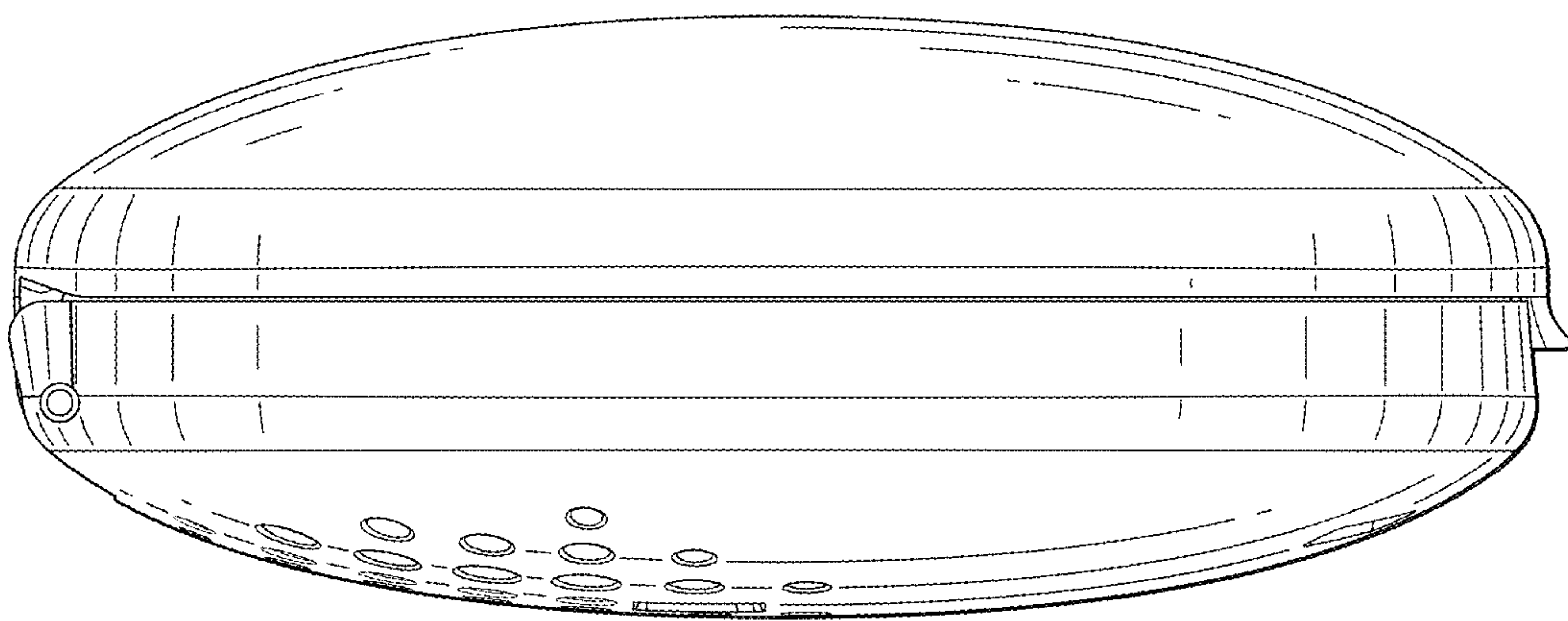


FIG. 12

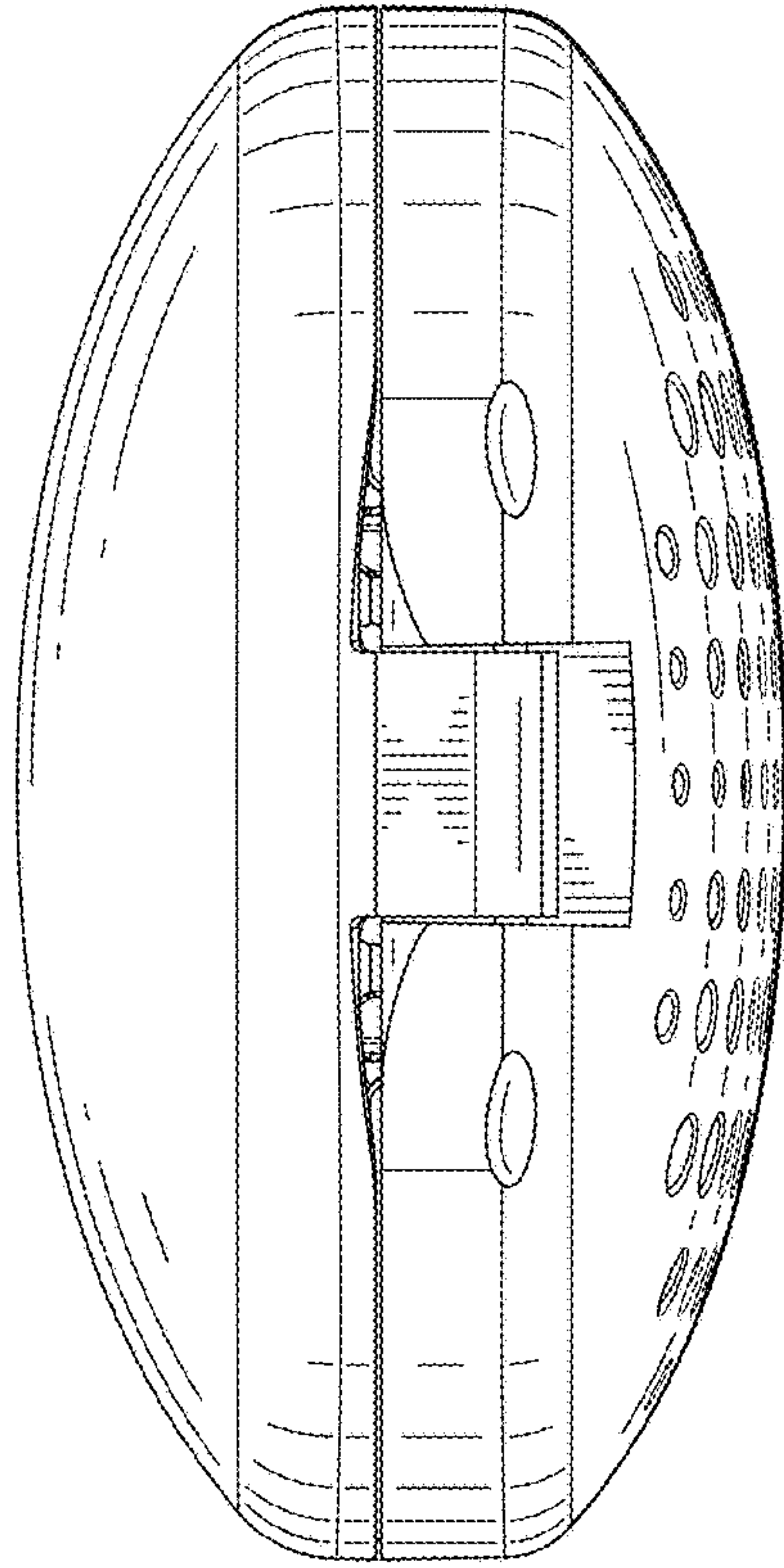


FIG. 13

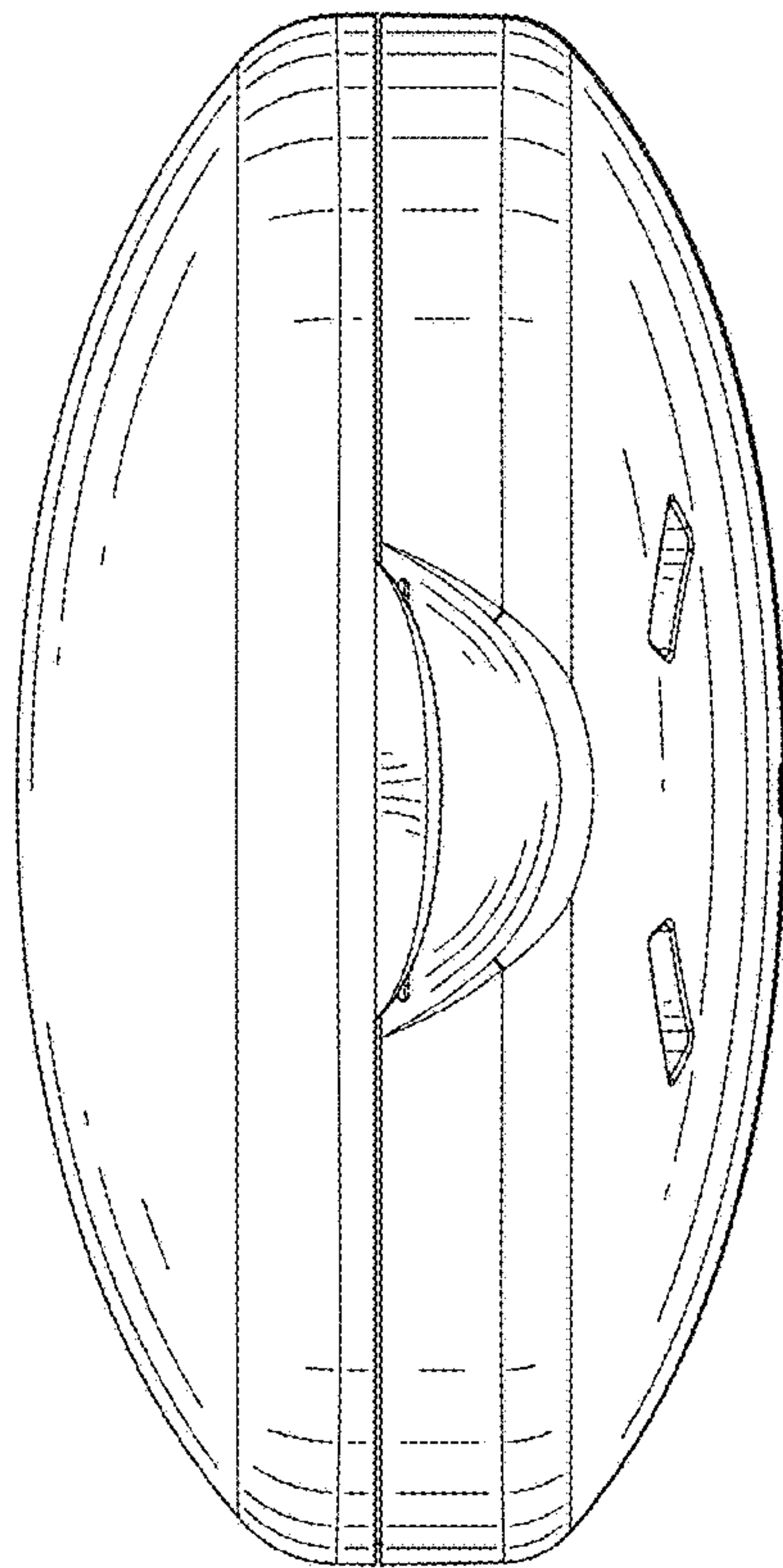


FIG. 14

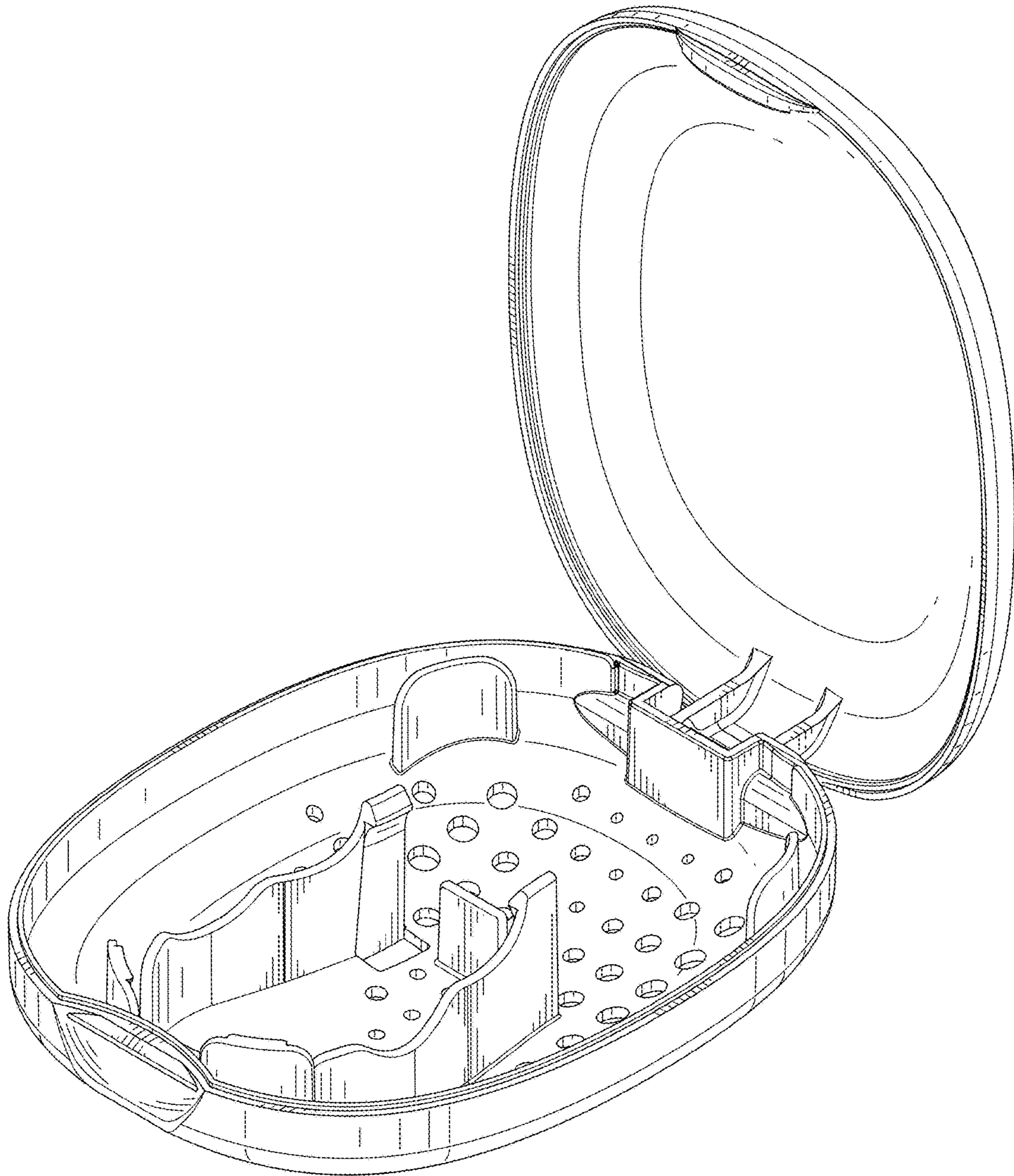


FIG. 15

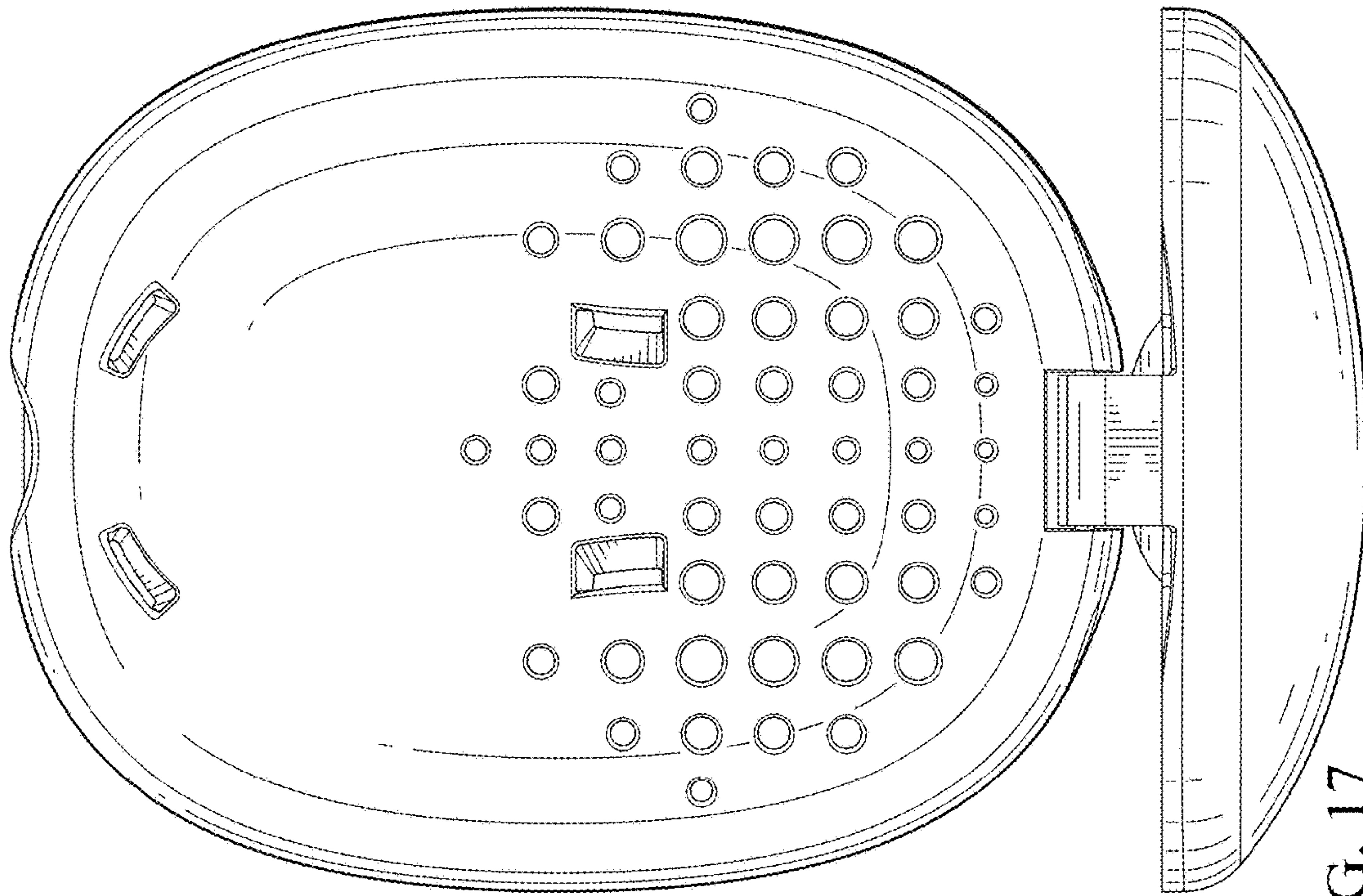


FIG. 17

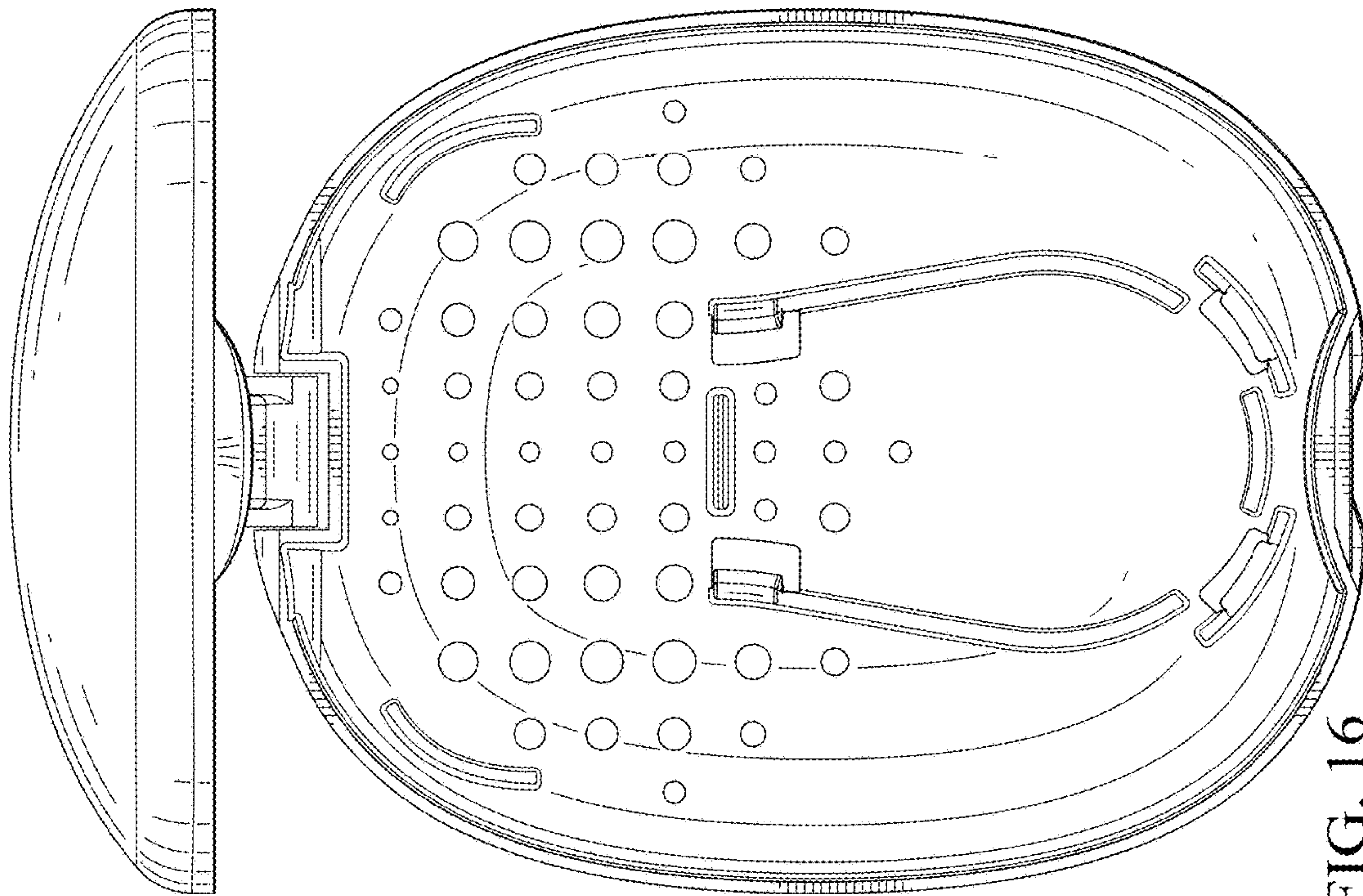


FIG. 16

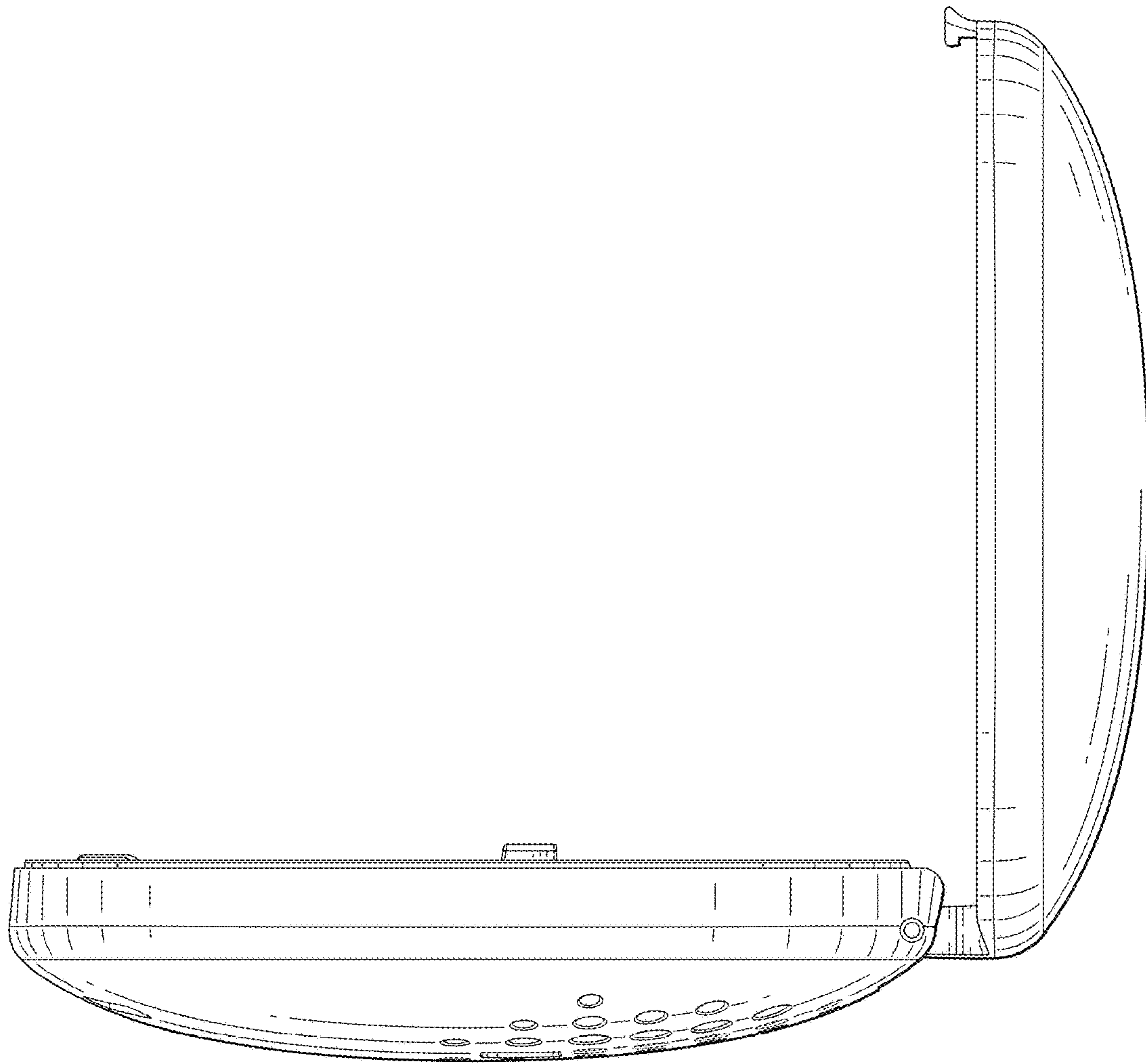


FIG. 18

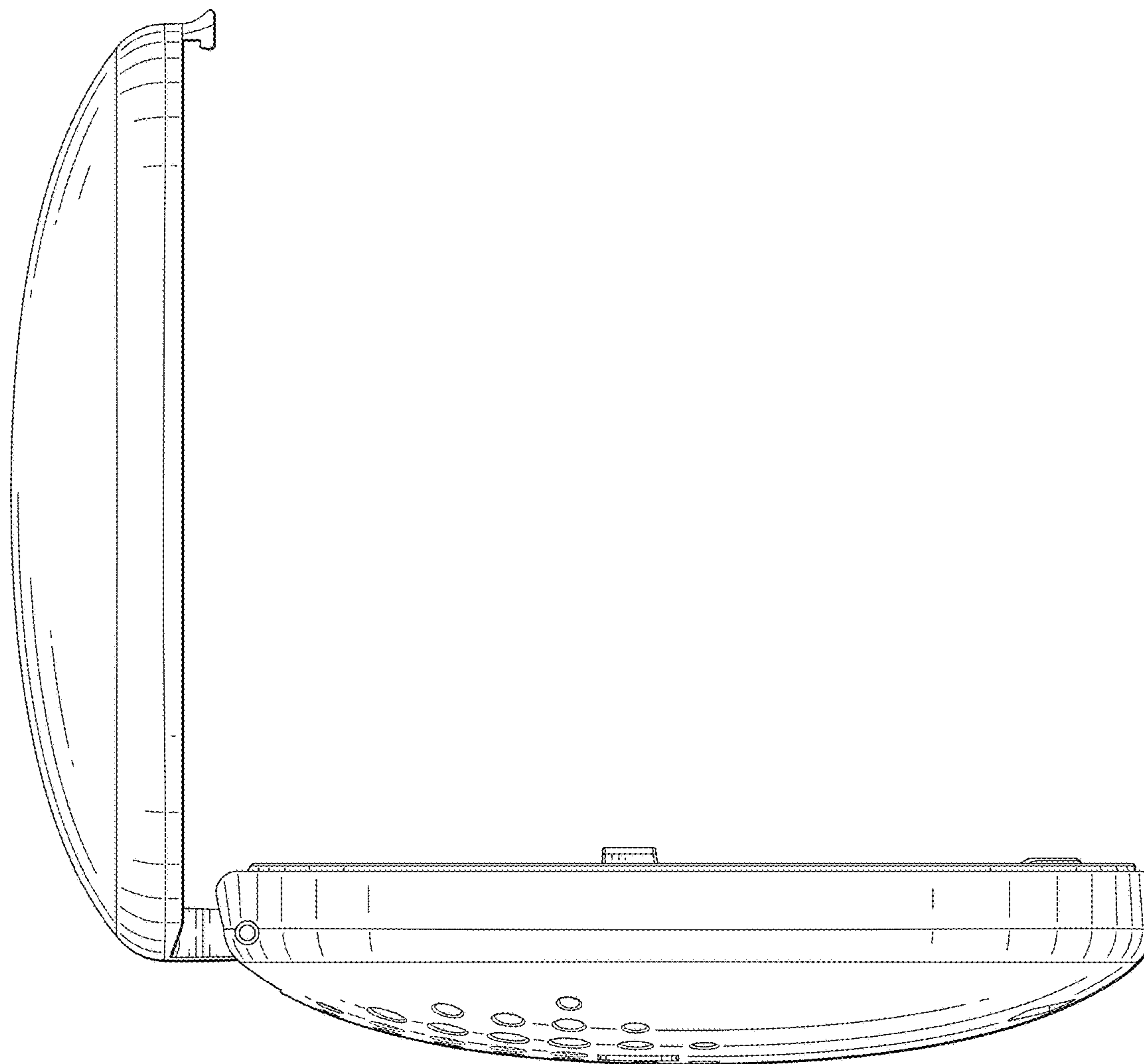


FIG. 19

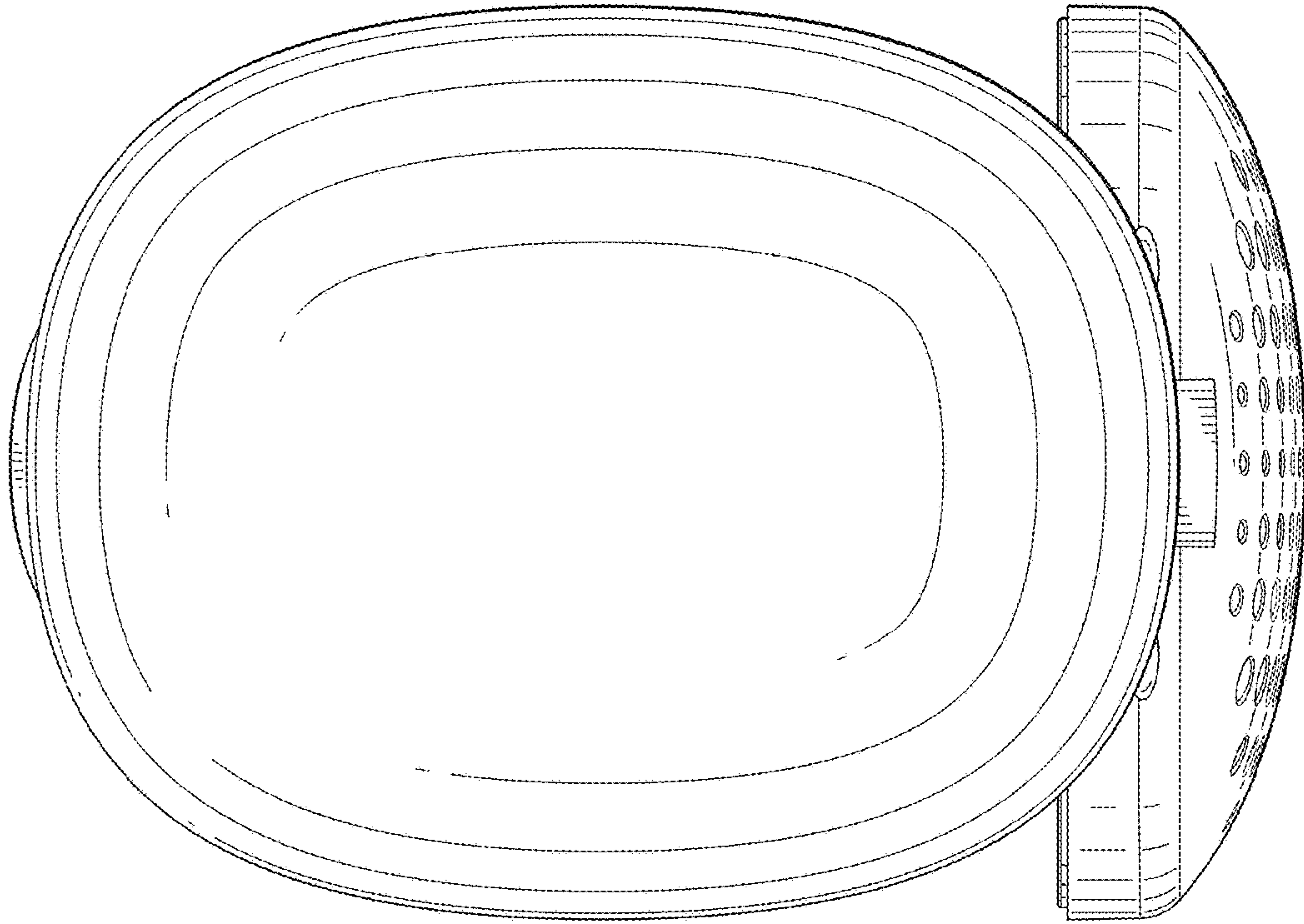


FIG. 21

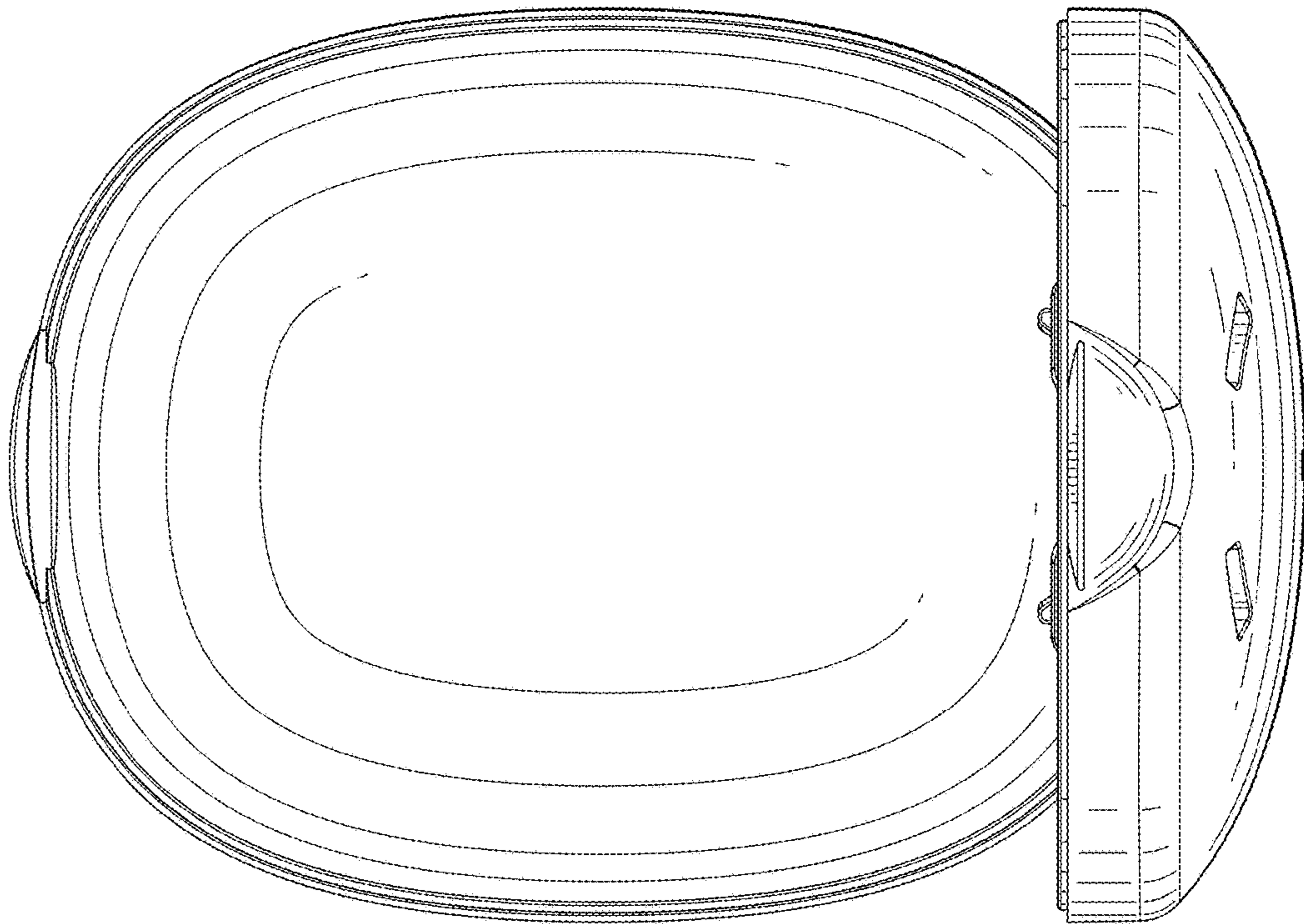


FIG. 20