



US00D786092S

(12) **United States Design Patent** (10) **Patent No.:** **US D786,092 S**
Whitis (45) **Date of Patent:** **** May 9, 2017**

(54) **DISPOSABLE MICROWAVEABLE FOOD CONTAINER WARMER**

(71) Applicant: **Brent Whitis**, Killeen, TX (US)

(72) Inventor: **Brent Whitis**, Killeen, TX (US)

(**) Term: **15 Years**

(21) Appl. No.: **29/577,278**

(22) Filed: **Sep. 12, 2016**

Related U.S. Application Data

(63) Continuation of application No. 29/496,111, filed on Jul. 9, 2014, now Pat. No. Des. 766,110.

(51) **LOC (10) Cl.** **09-03**

(52) **U.S. Cl.**
USPC **D9/737**

(58) **Field of Classification Search**
USPC D9/737, 425; D24/206; D7/368, 388, D7/323, 351, 409; 219/725; 126/246, 126/400, 204; 607/104, 108-112; 165/46; 62/4; 383/901
CPC A47G 23/04; F24C 15/34; A47J 36/022; A47J 36/027; H05B 6/6494; H05B 6/80
See application file for complete search history.

(56) **References Cited**

U.S. PATENT DOCUMENTS

- 2,401,360 A * 6/1946 Lobl H05B 3/342 219/528
- 4,961,930 A * 10/1990 Perdelwitz, Jr. A01K 1/0353 119/28.5
- D362,578 S * 9/1995 Ackley D6/596
- 5,593,062 A * 1/1997 Martin A47G 19/065 220/556
- D401,107 S * 11/1998 Rimback D7/362

- D546,119 S * 7/2007 Dodge D7/388
- D587,811 S * 3/2009 Uchiyama D24/206
- D587,812 S * 3/2009 Uchiyama D24/206
- D609,359 S * 2/2010 Yim D24/206
- D627,527 S * 11/2010 Ferguson, III D30/118
- D628,705 S * 12/2010 Usui D24/206
- D628,706 S * 12/2010 Usui D24/206
- D699,514 S * 2/2014 Lovley, II D7/359
- D707,085 S * 6/2014 Carmichael D7/554.2
- D720,629 S * 1/2015 Snedden D9/425
- D731,231 S * 6/2015 Steininger D7/354
- D741,199 S * 10/2015 Flury D9/457
- D747,221 S * 1/2016 Changpan D9/425
- D749,906 S * 2/2016 Lee D7/362
- D755,984 S * 5/2016 Law D24/206
- 2009/0145420 A1 * 6/2009 Whitis A47J 36/022 126/246
- 2012/0325807 A1 * 12/2012 Jeon H05B 6/6408 219/730

* cited by examiner

Primary Examiner — Mark Goodwin

(74) *Attorney, Agent, or Firm* — Gunn, Lee & Cave, P.C.

(57) **CLAIM**

An ornamental design for a disposable microwaveable food container warmer, as shown and described.

DESCRIPTION

FIG. 1 is a perspective view of a disposable microwaveable food container warmer showing my new design.

FIG. 2 is a top view of thereof.

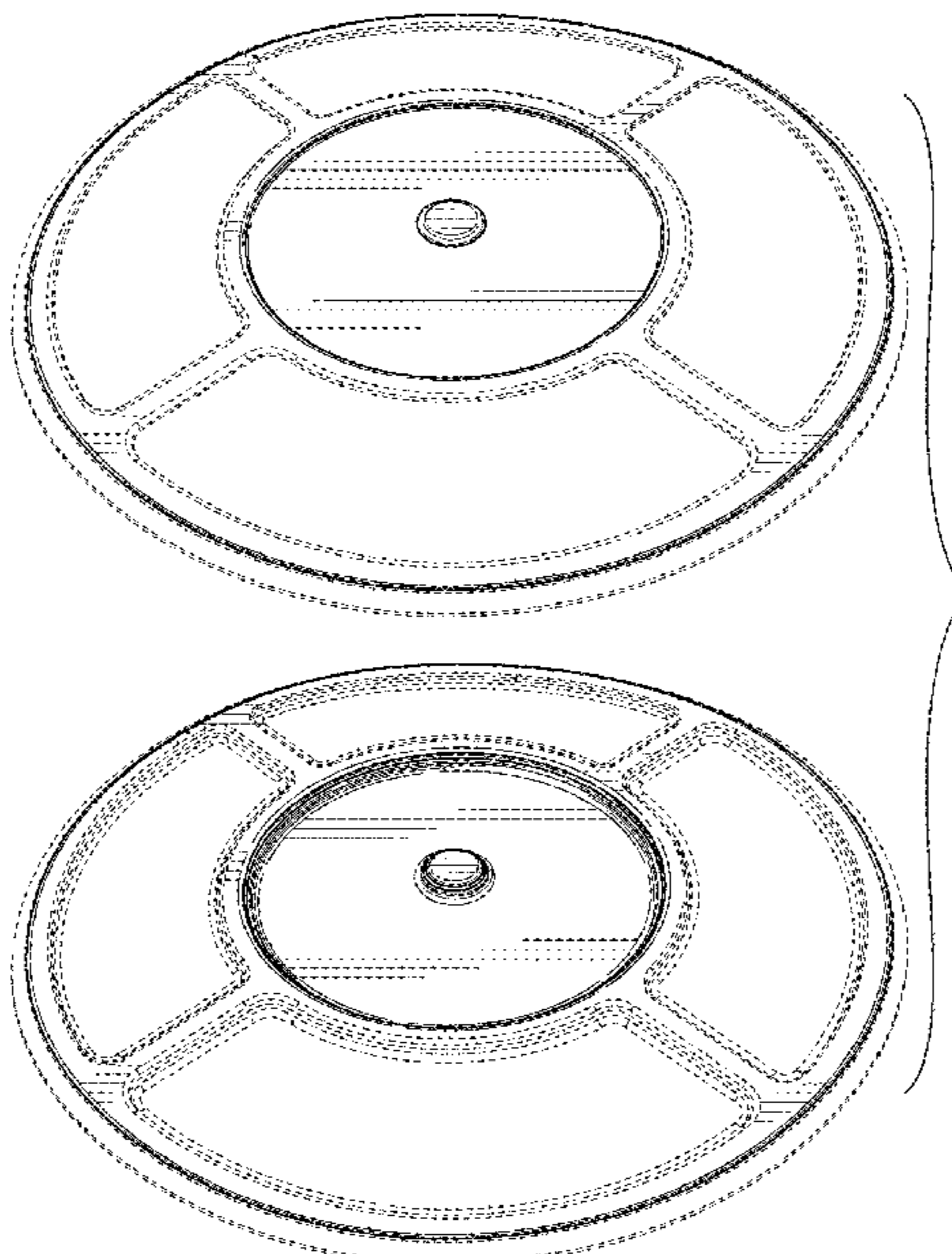
FIG. 3 is a front view thereof.

FIG. 4 is a bottom view thereof; and,

FIG. 5 is a left side view thereof. The right side view is a mirror of the left side view.

The broken lines represent boundaries of the claimed design that form no part of the claimed design.

1 Claim, 4 Drawing Sheets



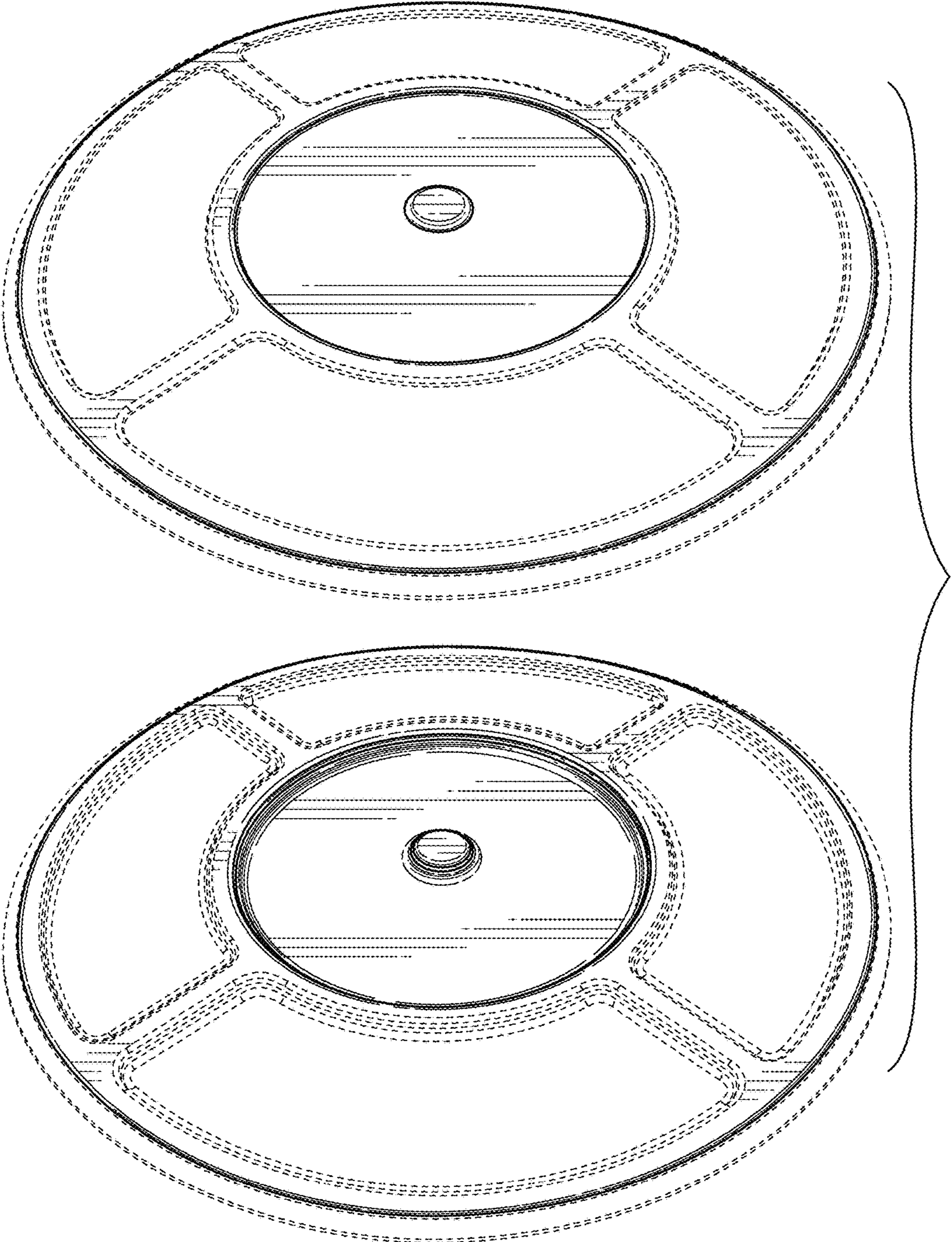


FIG. 1

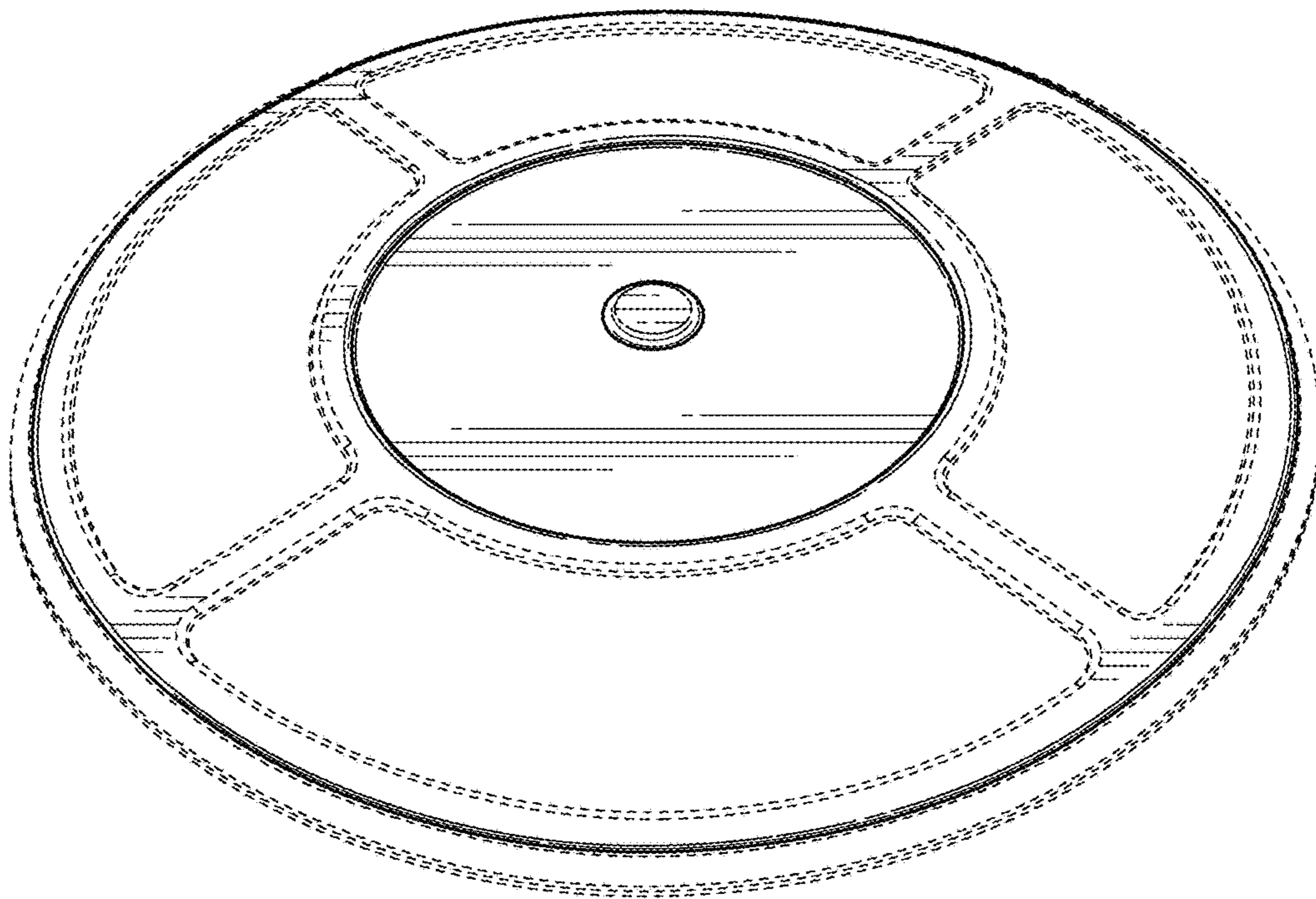


FIG. 2

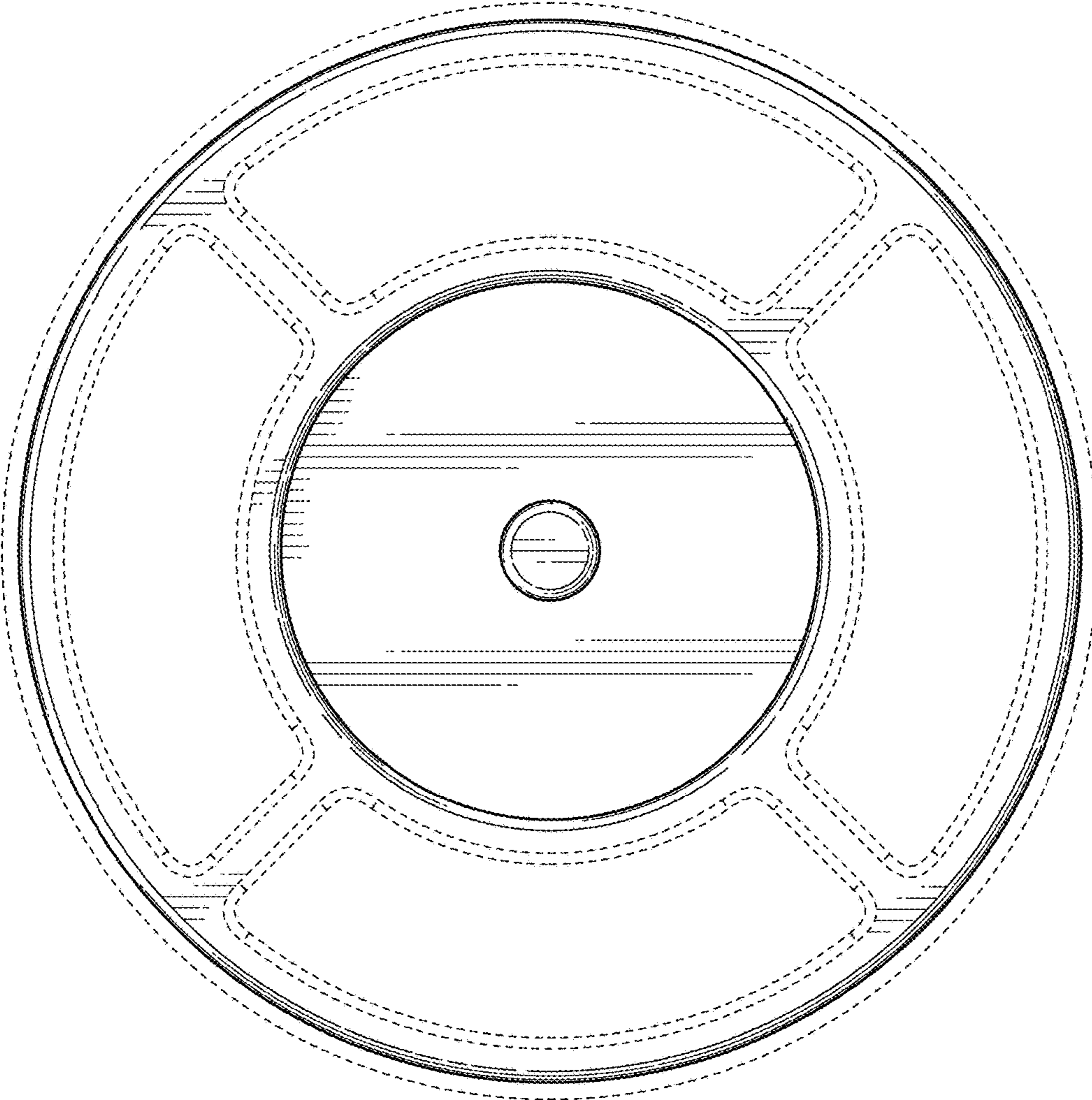


FIG. 3

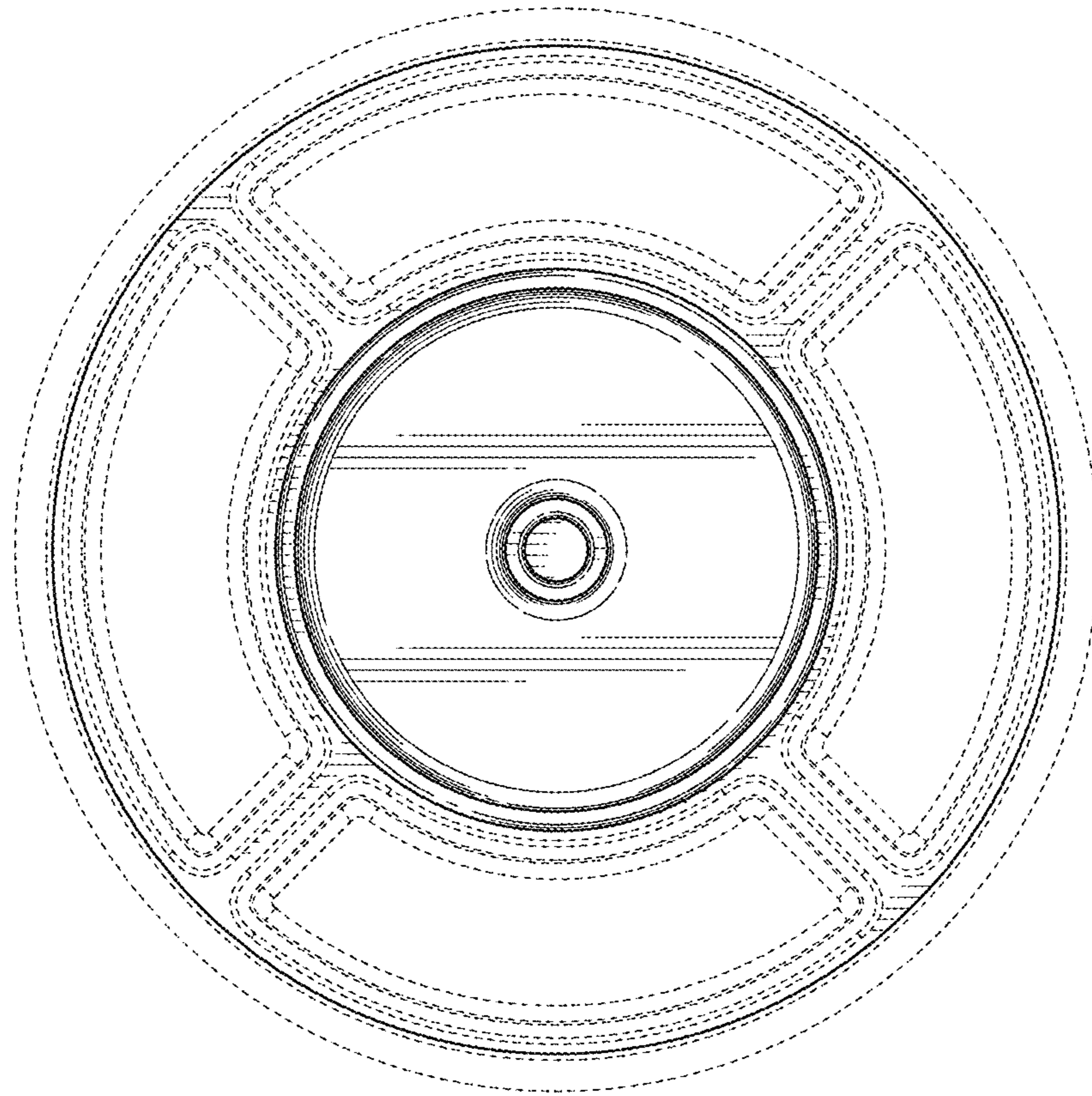


FIG. 4



FIG. 5