



US00D786091S

(12) **United States Design Patent**
Fitzwater

(10) **Patent No.:** **US D786,091 S**

(45) **Date of Patent:** **** May 9, 2017**

(54) **CARTON**

CPC B65D 33/12; B65D 65/18; B42D 15/00
See application file for complete search history.

(71) Applicant: **Graphic Packaging International, Inc.**, Atlanta, GA (US)

(56)

References Cited

(72) Inventor: **Kelly R. Fitzwater**, Lakewood, CO (US)

U.S. PATENT DOCUMENTS

(73) Assignee: **Graphic Packaging International, Inc.**, Atlanta, GA (US)

(**) Term: **15 Years**

(21) Appl. No.: **29/534,409**

(22) Filed: **Jul. 28, 2015**

Related U.S. Application Data

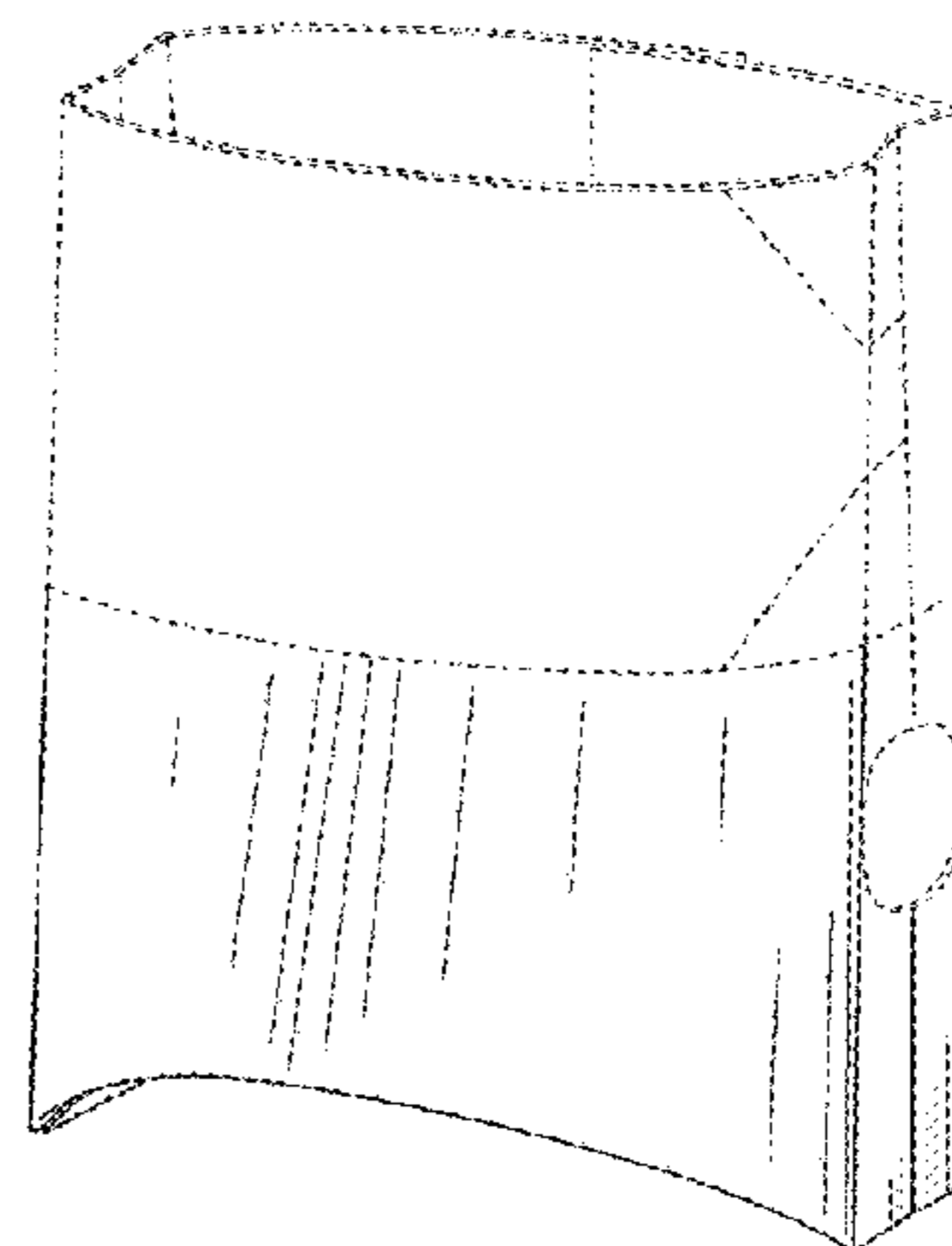
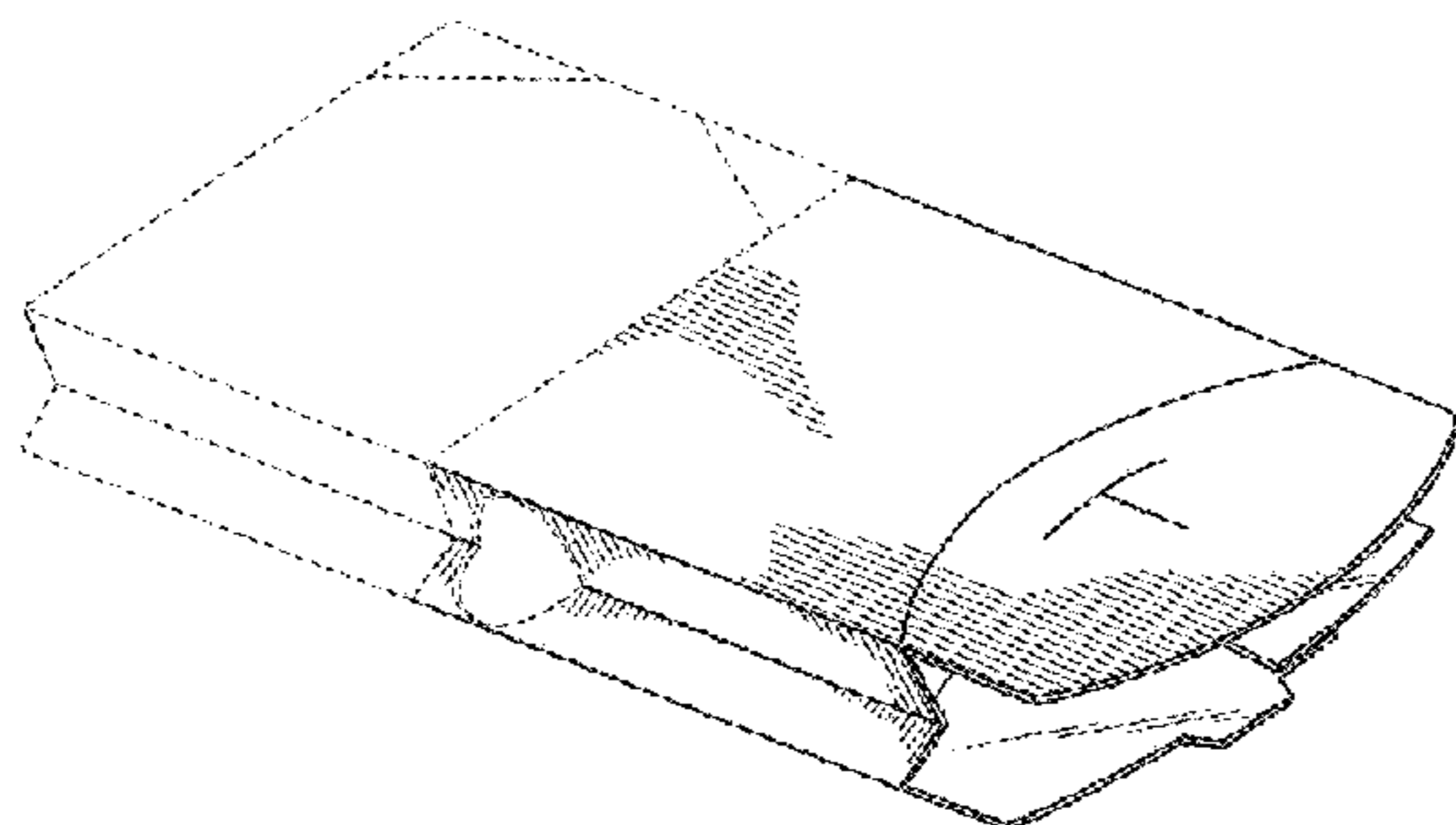
(60) Continuation of application No. 29/469,964, filed on Oct. 16, 2013, now abandoned, which is a division of application No. 29/444,522, filed on Jan. 31, 2013, now Pat. No. Des. 694,124, which is a continuation of application No. 13/046,901, filed on Mar. 14, 2011, now Pat. No. 8,440,947, which is a division of application No. 11/567,364, filed on Dec. 6, 2006, now Pat. No. 7,928,349.

(51) **LOC (10) Cl.** **09-05**

(52) **U.S. Cl.**
USPC **D9/711**

(58) **Field of Classification Search**
USPC D9/702-714, 414-418, 420-426, 501, D9/430-433, 444, 499; 206/485, 766, 206/779, 588, 822, 429, 431, 464, 483, 206/482; 229/406, 902-904, 121, 122.2, 229/92.1, 87.01-87.09, 87.11-87.11, 92.7; 220/315, 324, 326, 4.23; D3/303; D24/118-119; 383/106-420

359,435 A	3/1887	Elliott
1,516,090 A	11/1924	Gary et al.
2,132,966 A	10/1938	O'Brien
3,240,419 A	3/1966	Spiering et al.
3,324,998 A	6/1967	Farquhar
3,637,130 A	1/1972	Farquhar
D234,396 S	2/1975	Killy
4,190,757 A	2/1980	Turpin et al.
4,228,945 A	10/1980	Wysocki
4,267,420 A	5/1981	Brastad
4,626,641 A	12/1986	Brown
4,775,771 A	10/1988	Pawlowski
4,780,587 A	10/1988	Brown
4,794,005 A	12/1988	Swiontek
4,865,921 A	9/1989	Hollenberg
4,890,439 A	1/1990	Smart
4,919,785 A	4/1990	Willey et al.
4,936,935 A	6/1990	Beckett
4,948,932 A	8/1990	Clough
4,963,424 A	10/1990	Beckett
5,034,234 A	7/1991	Andreas et al.
5,039,364 A	8/1991	Beckett
5,071,062 A	12/1991	Bradley et al.
5,078,273 A	1/1992	Kuchenbecker
5,096,723 A	3/1992	Turpin
5,117,078 A	5/1992	Beckett
5,175,404 A	12/1992	Andreas et al.
5,213,902 A	5/1993	Beckett
5,221,419 A	6/1993	Beckett
5,260,537 A	11/1993	Beckett
5,266,386 A	11/1993	Beckett
RE34,683 E	8/1994	Maynard
5,340,436 A	8/1994	Beckett
5,354,973 A	10/1994	Beckett
5,410,135 A	4/1995	Pollart
5,424,517 A	6/1995	Habeger
5,484,100 A	1/1996	Rigby
5,510,132 A	4/1996	Gallo, Jr.
D369,972 S	5/1996	Solheim
5,519,195 A	5/1996	Keefer
5,585,027 A	12/1996	Young
5,628,921 A	5/1997	Beckett
5,672,407 A	9/1997	Beckett
5,688,427 A	11/1997	Gallo, Jr.
5,759,422 A	6/1998	Schmelzer
5,800,724 A	9/1998	Habeger



5,938,110	A	8/1999	Bernstein	
6,063,415	A	5/2000	Walters	
6,114,679	A	9/2000	Lai	
6,150,646	A	11/2000	Lai et al.	
6,204,492	B1	3/2001	Zeng et al.	
6,251,451	B1	6/2001	Zeng	
D450,578	S	11/2001	Tomaselli et al.	
6,414,290	B1	7/2002	Cole	
6,433,322	B2	8/2002	Zeng et al.	
6,455,827	B2	9/2002	Zeng	
6,552,315	B2	4/2003	Zeng et al.	
D484,798	S	1/2004	Bukowski	
6,677,563	B2	1/2004	Lai	
6,683,289	B2	1/2004	Whitmore et al.	
6,717,121	B2	4/2004	Zeng	
6,744,028	B2	6/2004	Chisholm et al.	
6,765,182	B2	7/2004	Cole	
6,877,634	B2	4/2005	Tramontina et al.	
D573,458	S	7/2008	Anderson et al.	
7,414,230	B2	8/2008	Fitzwater	
D582,791	S *	12/2008	Elmerhaus D9/721
7,473,875	B2	1/2009	Fitzwater	
D600,940	S	9/2009	Elias et al.	
D604,607	S	11/2009	Elias et al.	
D608,194	S	1/2010	Gajardo	
7,667,167	B2	2/2010	Fitzwater	
D621,282	S	8/2010	Yagi	
D626,010	S	10/2010	Criss et al.	
7,893,389	B2	2/2011	Fitzwater	
D635,469	S	4/2011	Buitrago	
7,928,349	B2	4/2011	Fitzwater	
7,982,167	B2	7/2011	Fitzwater	
D642,934	S	8/2011	Ly	
8,061,265	B2	11/2011	Cambay	
8,063,344	B2	11/2011	Cole et al.	
D652,295	S	1/2012	Hipperson et al.	
D657,261	S	4/2012	De Gast	
D662,412	S	6/2012	Delaney et al.	
D662,428	S	6/2012	Martinez Rodriguez	
D664,444	S	7/2012	Delaney et al.	
8,217,325	B2	7/2012	Russell et al.	
D668,964	S	10/2012	Althoff	
D670,557	S	11/2012	Hamina et al.	
8,309,896	B2	11/2012	Fitzwater	
8,440,947	B2	5/2013	Fitzwater	
D694,106	S *	11/2013	Fitzwater A47G 21/001 D9/433
D694,124	S	11/2013	Fitzwater	
8,872,078	B2	10/2014	Fitzwater	
D719,443	S	12/2014	Jones et al.	
D727,145	S	4/2015	Fitzwater	
D758,179	S *	6/2016	Beck D9/415
2003/0080120	A1	5/2003	Whitmore et al.	
2003/0106899	A1	6/2003	Langen	
2003/0206997	A1	11/2003	Winkelman et al.	
2004/0023000	A1	2/2004	Young et al.	
2004/0101605	A1	5/2004	Sigel	
2005/0284865	A1	12/2005	Fogle et al.	
2006/0049190	A1	3/2006	Middleton	
2006/0096978	A1	5/2006	Lafferty et al.	
2006/0113300	A1	6/2006	Wnek et al.	
2007/0131742	A1	6/2007	Fitzwater	
2007/0131743	A1	6/2007	Fitzwater	
2007/0131744	A1	6/2007	Fitzwater	
2007/0131745	A1	6/2007	Fitzwater	
2007/0138247	A1	6/2007	Fitzwater	
2008/0308614	A1	12/2008	Fitzwater	
2009/0039077	A1	2/2009	Fitzwater	
2010/0193509	A1	8/2010	Fitzwater	
2011/0163090	A1	7/2011	Fitzwater	
2013/0026158	A1	1/2013	Fitzwater	
2013/0142921	A1	6/2013	Fitzwater	

FOREIGN PATENT DOCUMENTS

CA	2 586 472	A1	5/2006
DE	203 00 817	U1	4/2003
EP	1 452 458	A2	9/2004
EP	10004338		6/2010

EP	11005496	9/2011
EP	11005497	9/2011
EP	1200441	8/2012
FR	2 516 481	5/1983
FR	2 665 882	2/1992
FR	2 687 384	8/1993
GB	2 365 000	A 2/2002
JP	2002-347756	12/2002
JP	2003-63565	3/2003
JP	2004-224402	A 8/2004
WO	WO 2006/052326	A2 5/2006
WO	PCT/US2006/046755	6/2007
WO	WO 2007/067705	A1 6/2007
WO	PCT/US2006/046755	3/2008
WO	PCT/US2008/050578	5/2008
WO	WO 2009/023286	A1 2/2009
WO	PCT/US2008/050578	2/2010

OTHER PUBLICATIONS

Defendant's Statement of Case filed Oct. 26, 2015 in the United States District Court for the District of Minnesota, Case No. 15-cv-3476 (ADM/LIB).
 Design U. S. Appl. No. 29/469,960—Office Action dated Sep. 15, 2014.
 Design U.S. Appl. No. 29/524,201, filed Apr. 17, 2015.
 Picture of Hot Pockets® From 2002 Management Report for Nestlé.
 United States Patent and Trademark Office, Petition for *Inter Partes* Review of U.S. Pat. No. 8,872,078, *Inline Packaging, LLC* (Petitioner) v. *Graphic Packaging International, Inc.* (Patent Owner), filed Jul. 22, 2015.
 Exhibit 1003—Declaration of Dr. Claire Koelsch Sand Ph.D.; United States Patent and Trademark Office, Petition of *Inter Partes* Review of U.S. Patent No. 8,872,078, *Inline Packaging, LLC* (Petitioner) v. *Graphic Packaging International, Inc.* (Patent Owner), filed Jul. 22, 2015.
 Exhibit 1018—Redlined Comparisons of Independent Claims of U.S. Patent No. 8,872,078; United States Patent and Trademark Office, Petition for *Inter Partes* Review of U.S. Patent No. 8,872,078, *Inline Packaging, LLC* (Petitioner) v. *Graphic Packaging International, Inc.* (Patent Owner), filed Jul. 22, 2015.

* cited by examiner

Primary Examiner — Abraham Bahta
 (74) *Attorney, Agent, or Firm* — Womble Carlyle Sandridge & Rice, LLP

(57) CLAIM

The ornamental design for a carton, as shown and described.

DESCRIPTION

FIG. 1 is a bottom pictorial view of a carton with a bottom end of the carton in an open configuration, in accordance with the present invention;
 FIG. 2 is a side pictorial view of the carton of FIG. 1 with the bottom end in the open configuration;
 FIG. 3 is a front elevation view of the carton of FIG. 1 with the bottom end in the open configuration;
 FIG. 4 is a rear elevation view of the carton of FIG. 1 with the bottom end in the open configuration;
 FIG. 5 is a right elevation view of the carton of FIG. 1 with the bottom end in the open configuration;
 FIG. 6 is a left elevation view of the carton of FIG. 1 with the bottom end in the open configuration;
 FIG. 7 is a top plan view of the carton of FIG. 1 with the bottom end in the open configuration;
 FIG. 8 is a bottom plan view of the carton of FIG. 1 with the bottom end in the open configuration;

FIG. 9 is a front pictorial view of the carton of FIG. 1 with the bottom end in a closed configuration;
FIG. 10 is a bottom pictorial view of the carton of FIG. 1 with the bottom end in the closed configuration;
FIG. 11 is a front elevation view of the carton of FIG. 1 with the bottom end in the closed configuration;
FIG. 12 is a rear elevation view of the carton of FIG. 1 with the bottom end in the closed configuration;
FIG. 13 is a right elevation view of the carton of FIG. 1 with the bottom end in the closed configuration;
FIG. 14 is a left elevation view of the carton of FIG. 1 with the bottom end in the closed configuration;
FIG. 15 is a top plan view of the carton of FIG. 1 with the bottom end in the closed configuration; and,
FIG. 16 is bottom plan view of the carton of FIG. 1 with the bottom end in the closed configuration.
The broken lines shown herein are for illustrative purposes and form no part of the claimed design.

1 Claim, 10 Drawing Sheets

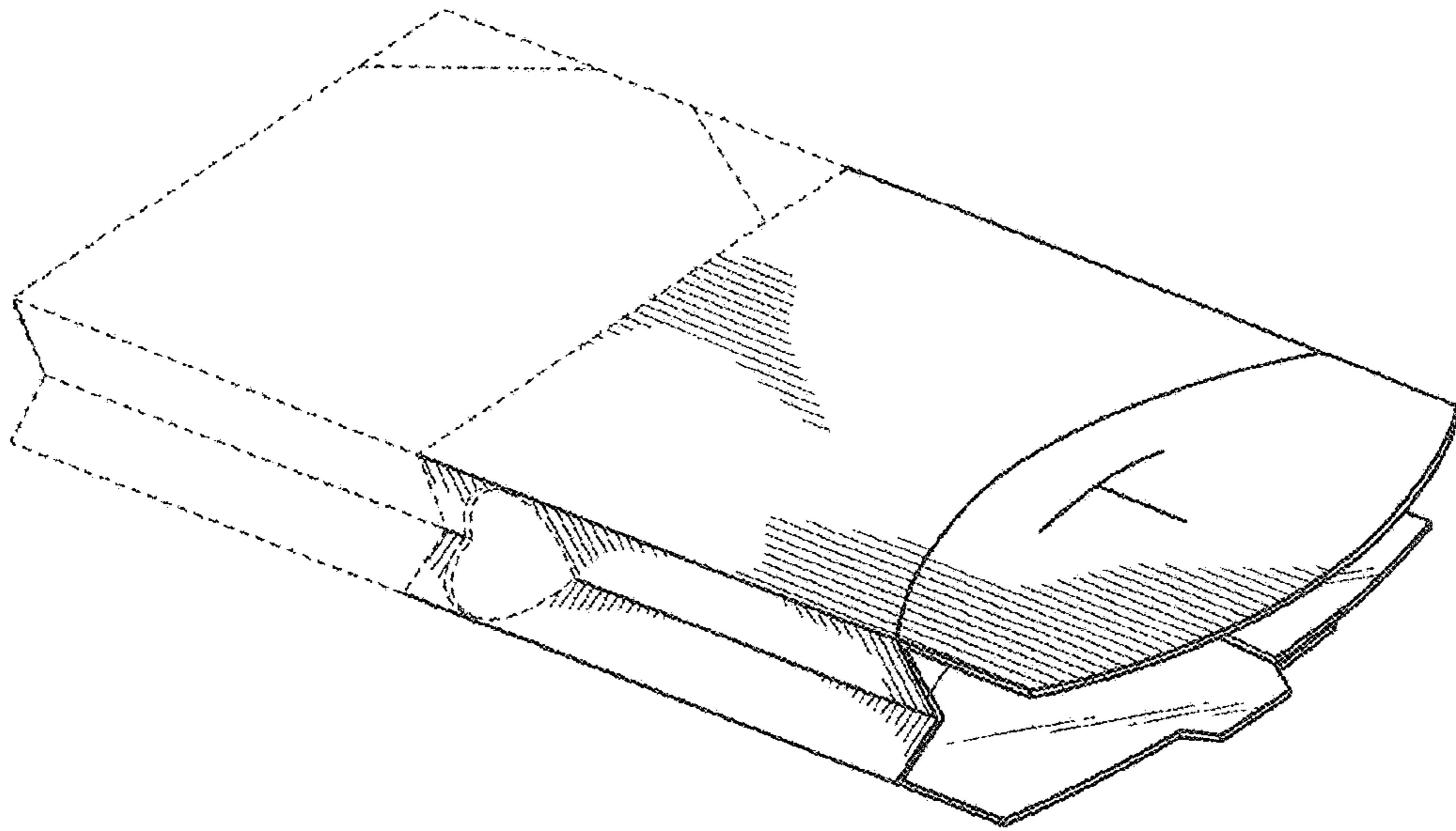


FIG. 1

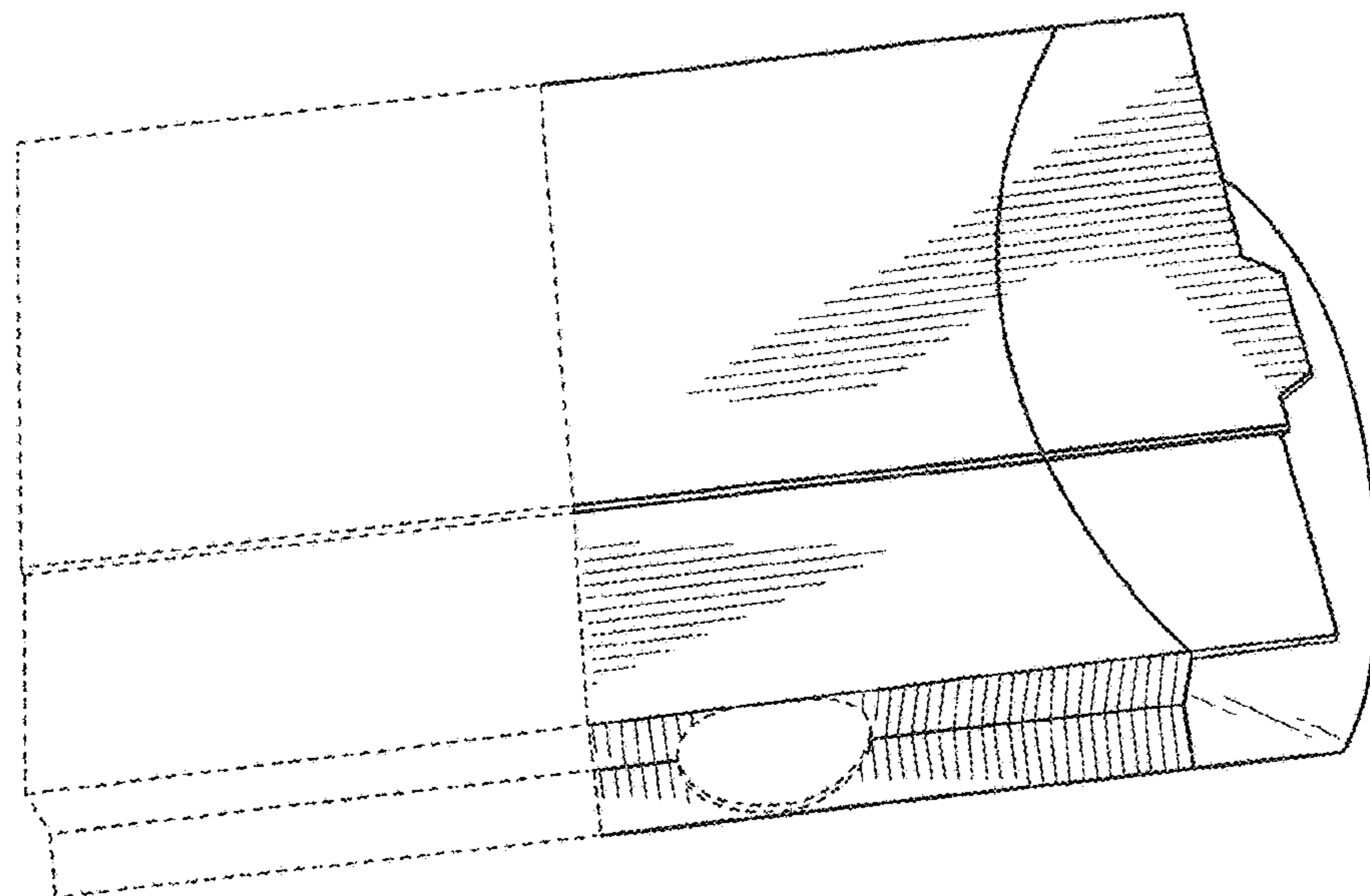


FIG. 2

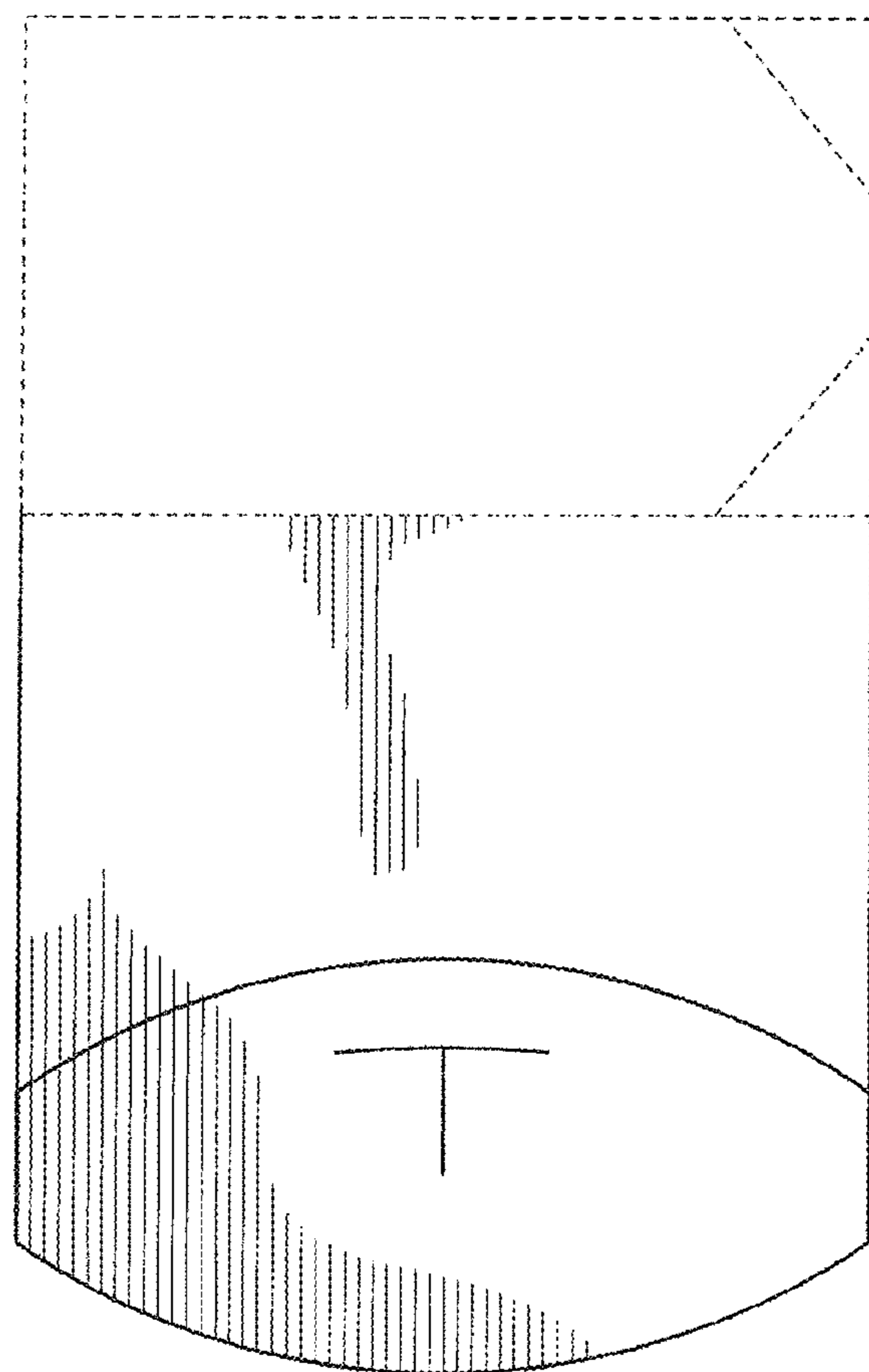


FIG. 3

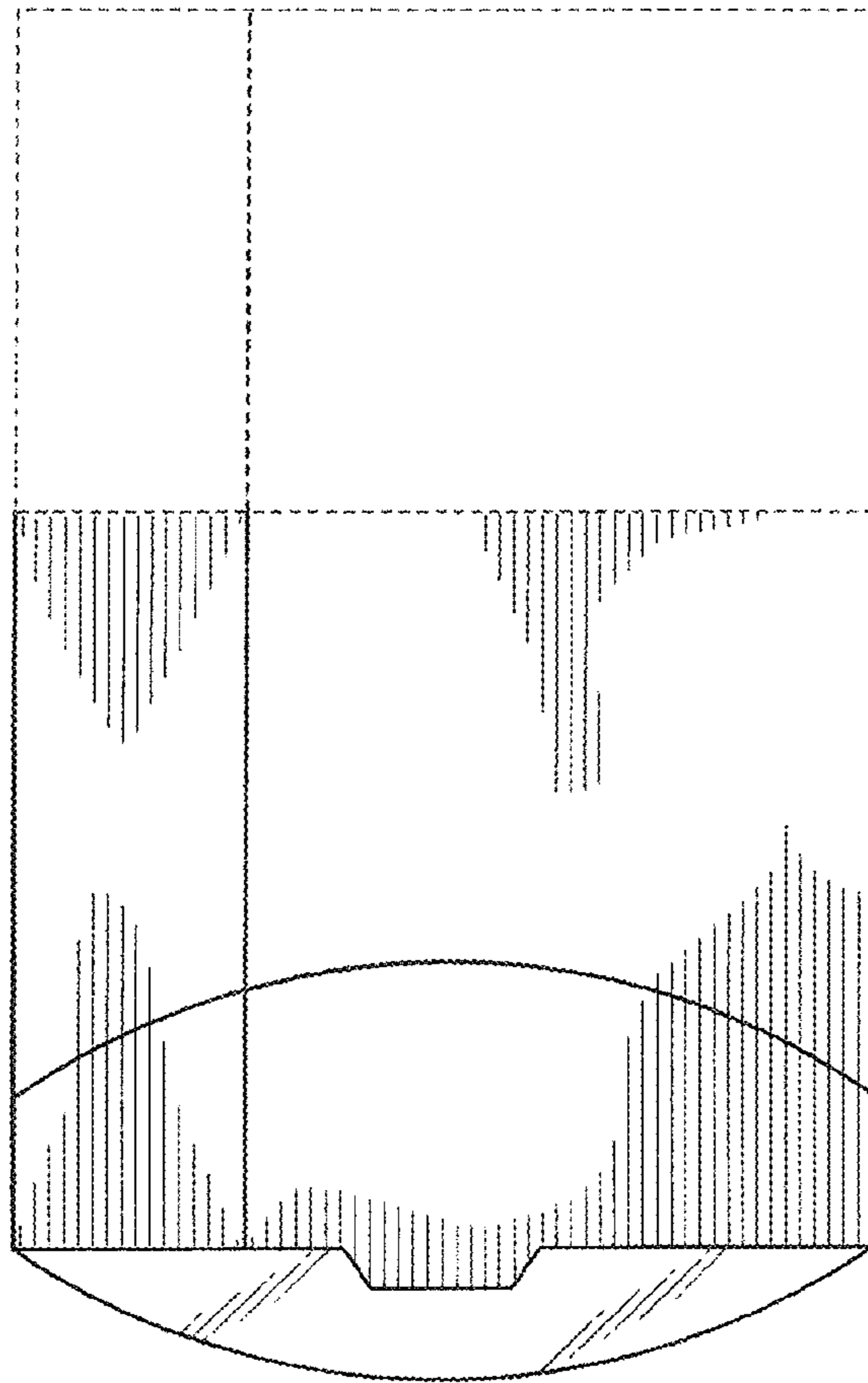


FIG. 4

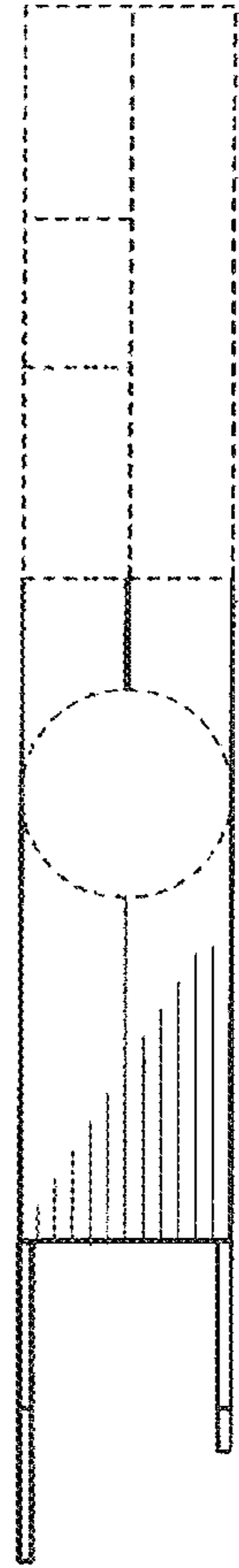


FIG. 5

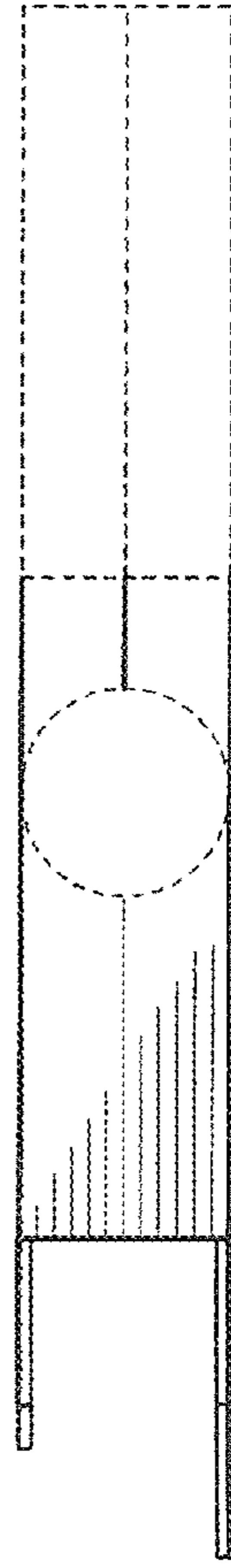


FIG. 6



FIG. 7



FIG. 8

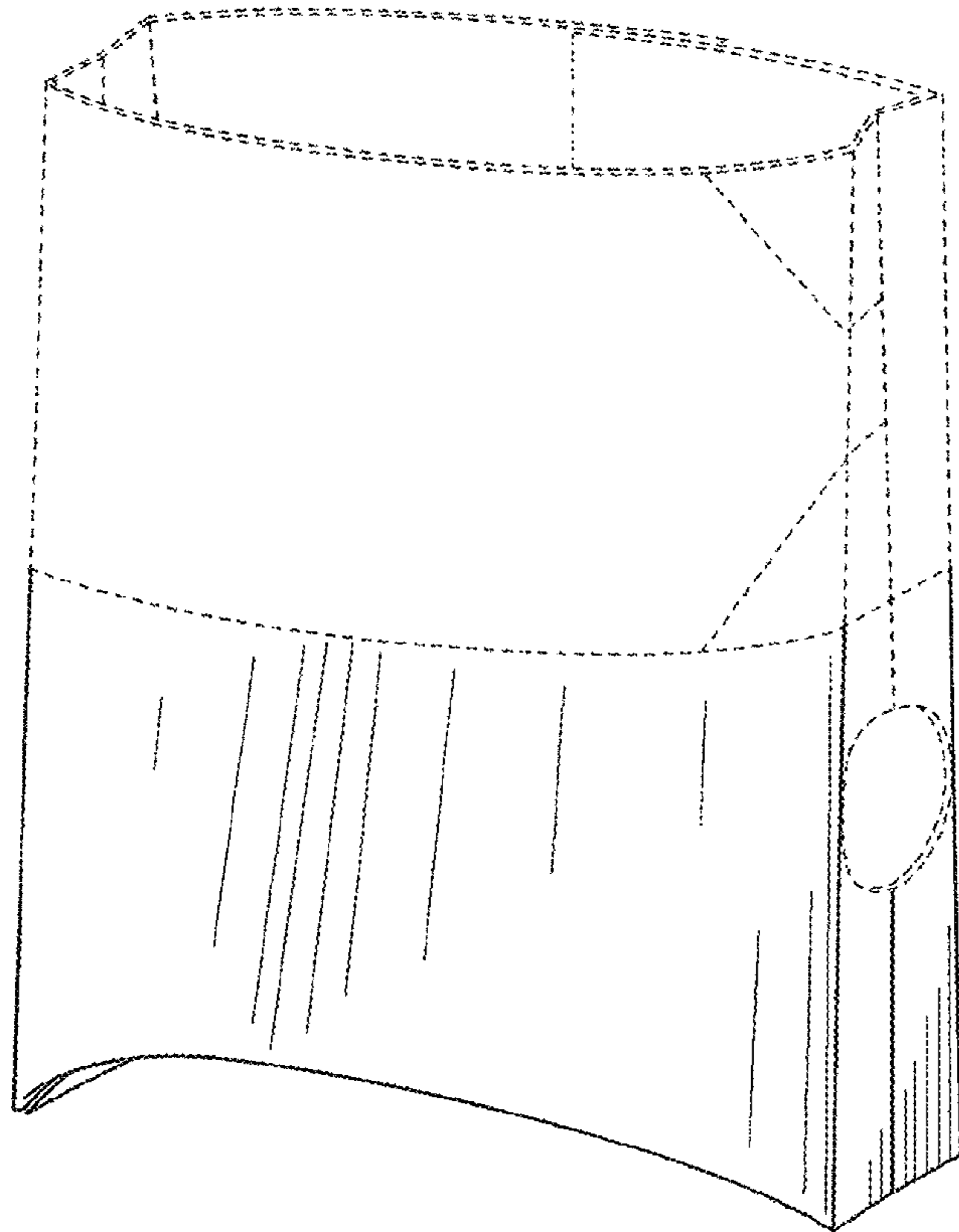


FIG. 9

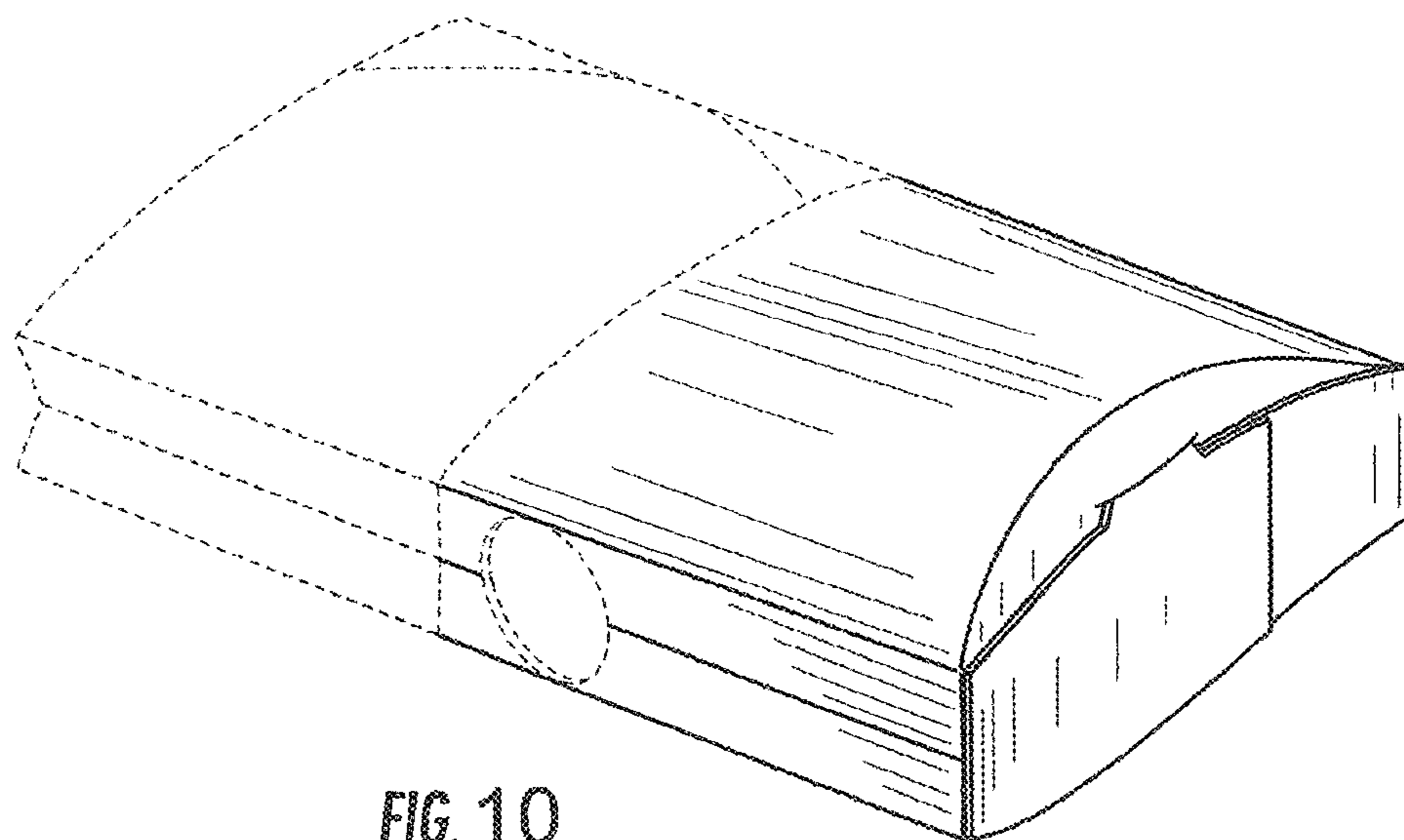


FIG. 10

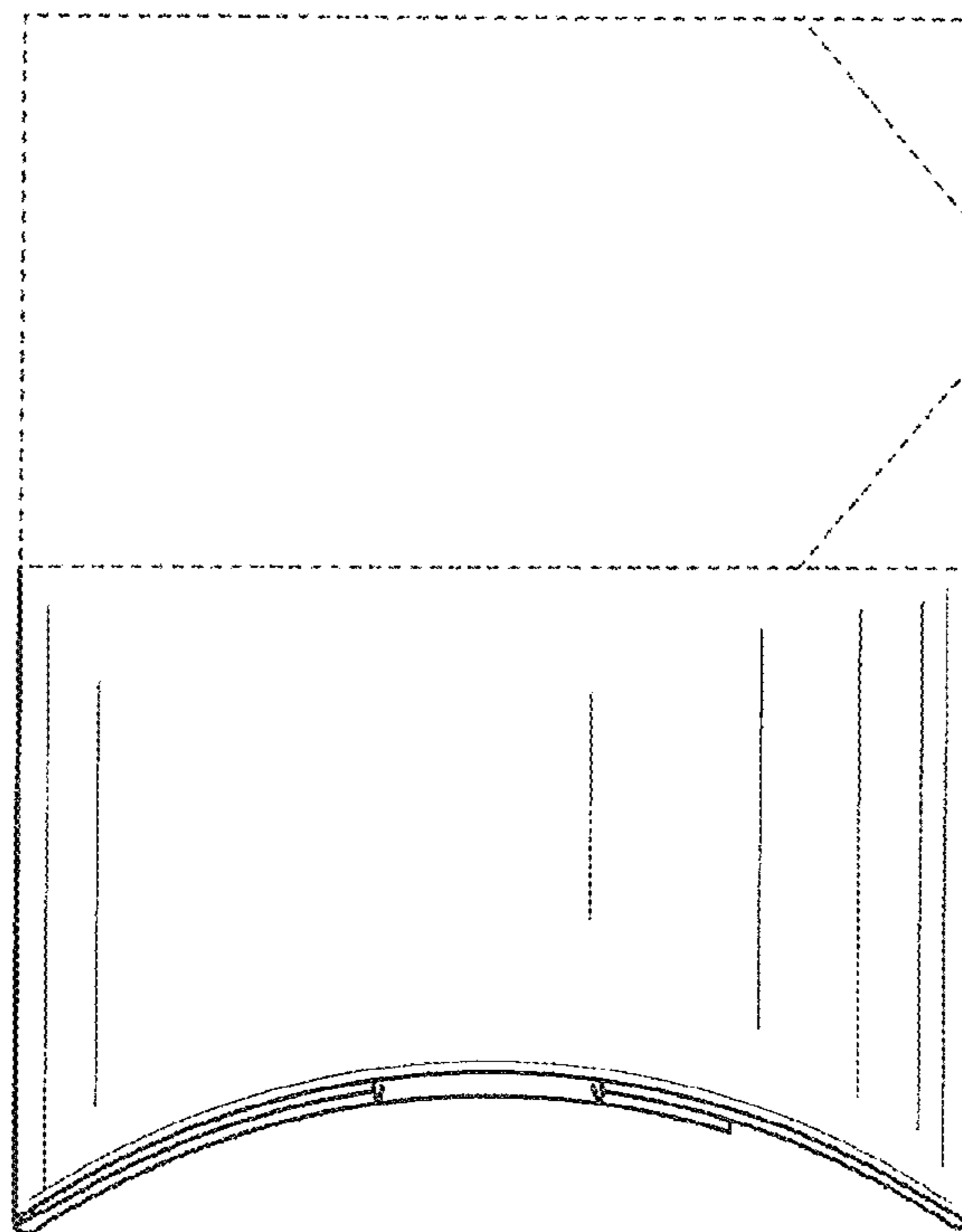


FIG. 11

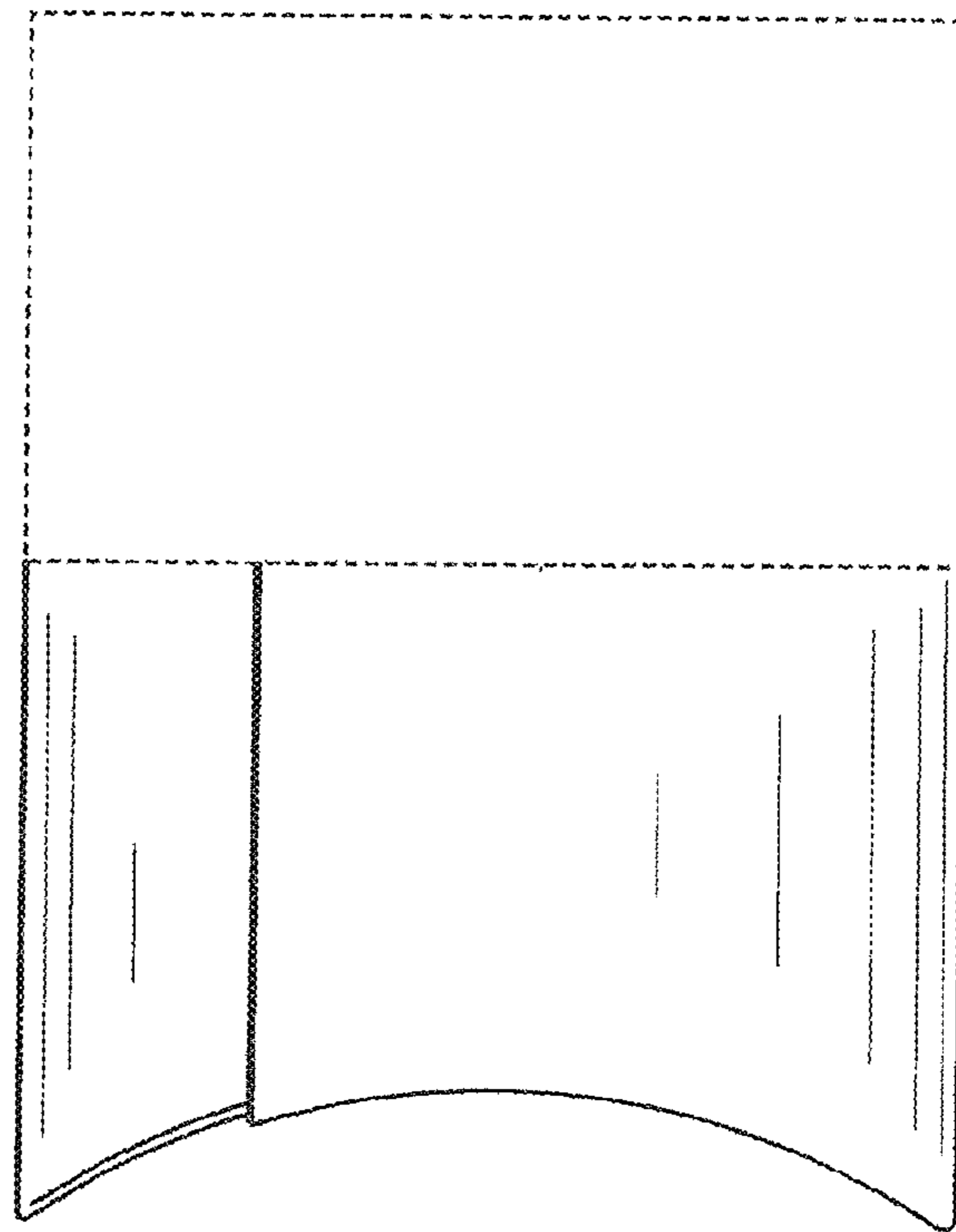


FIG. 12

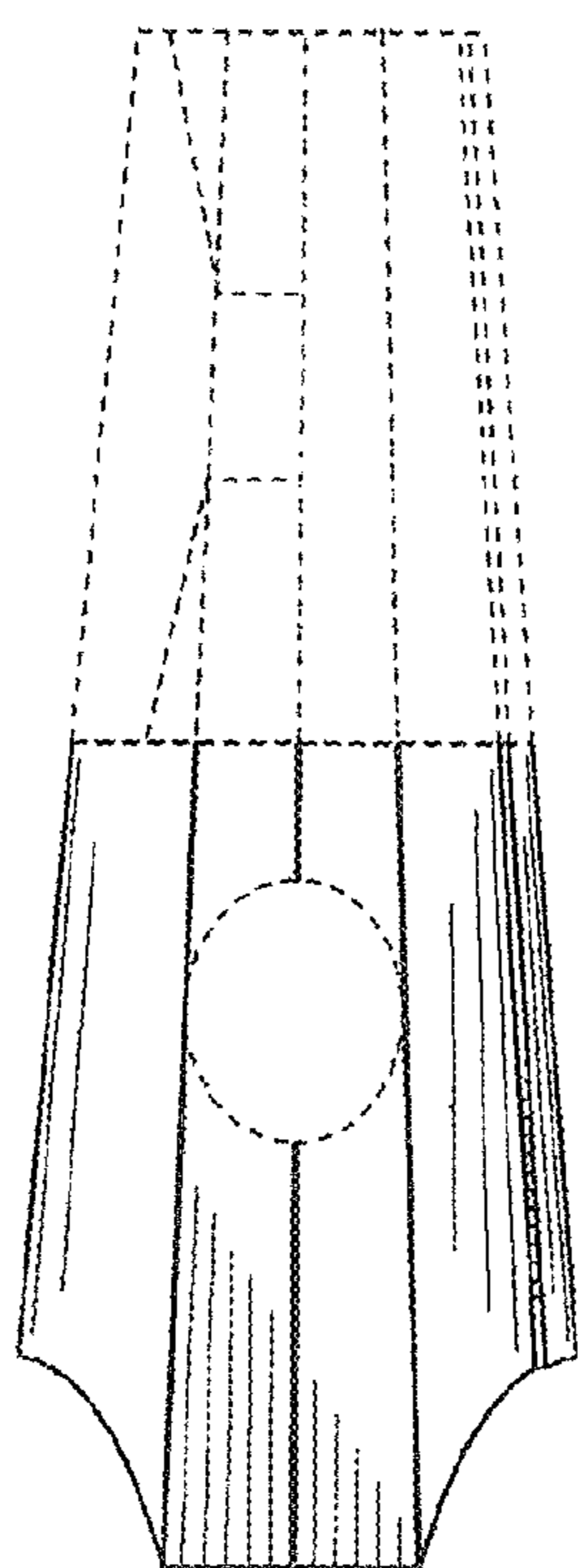


FIG. 13

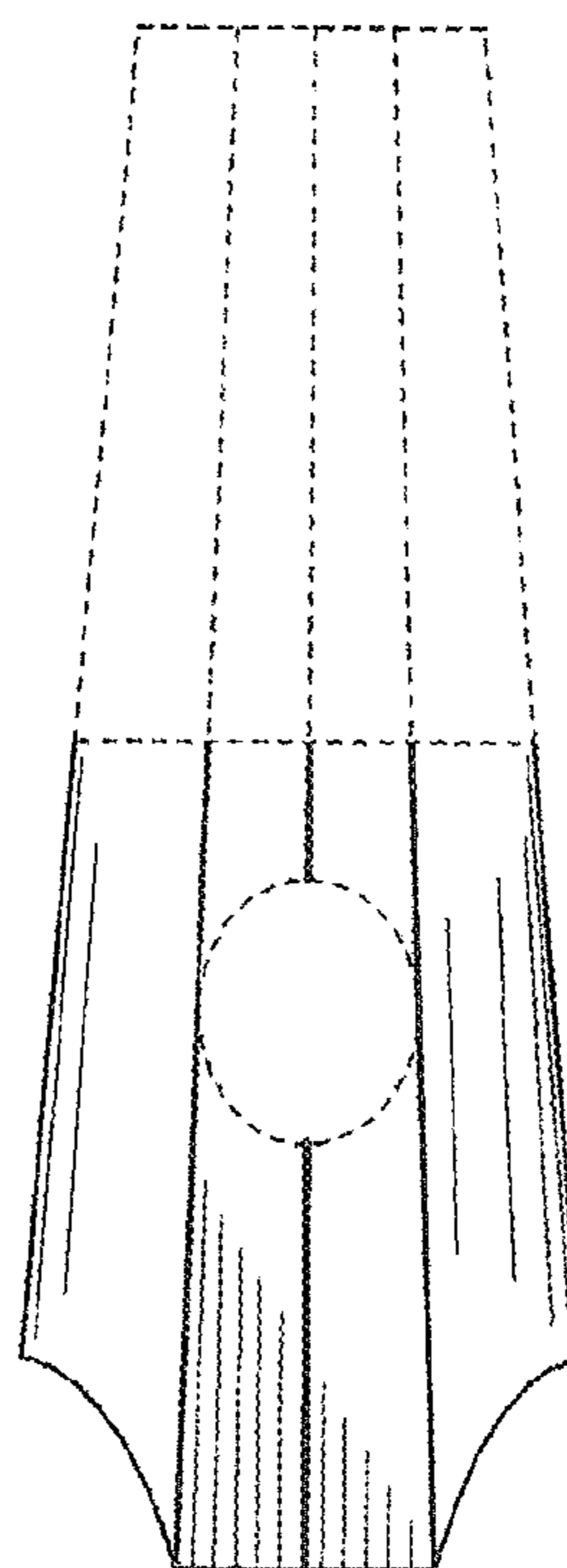


FIG. 14

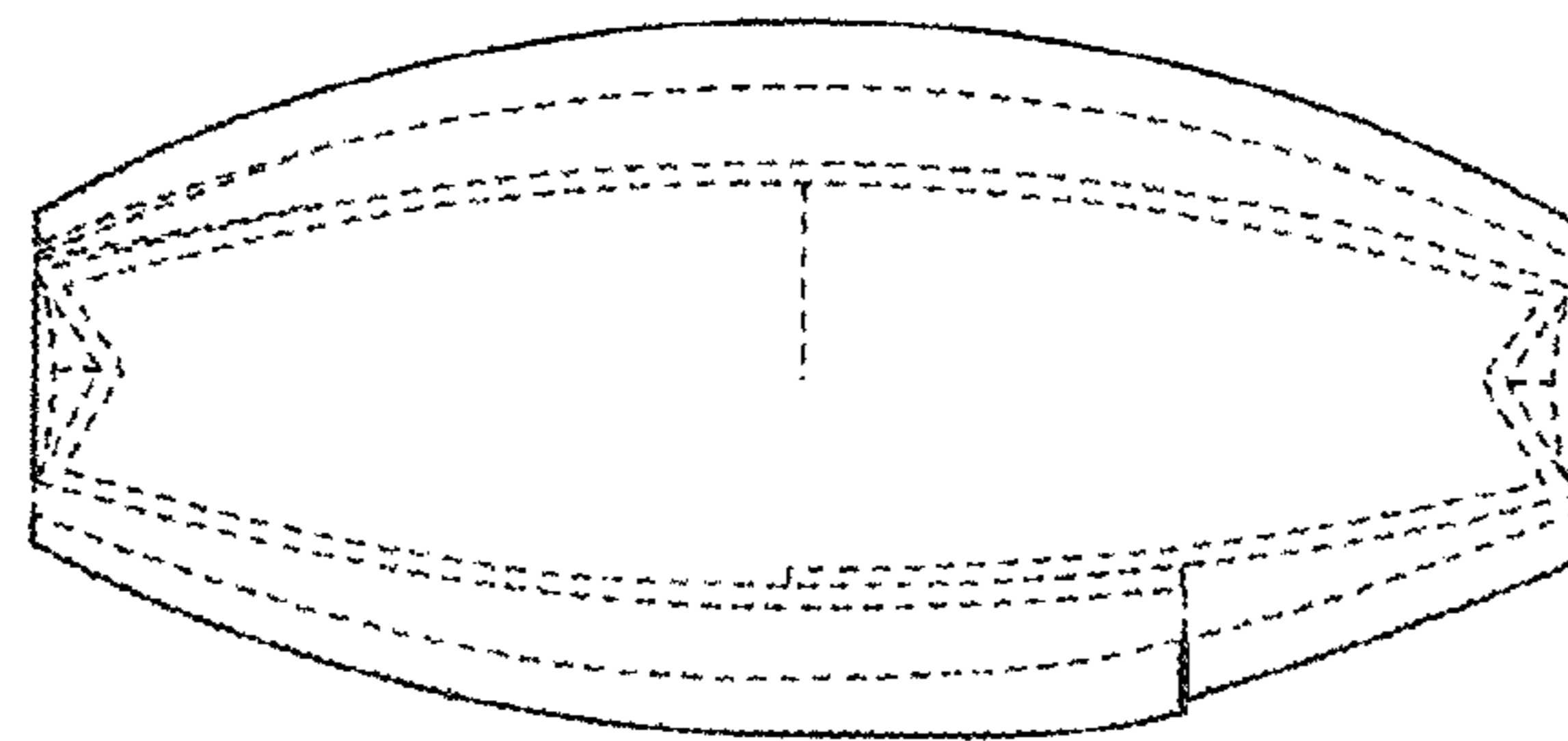


FIG. 15

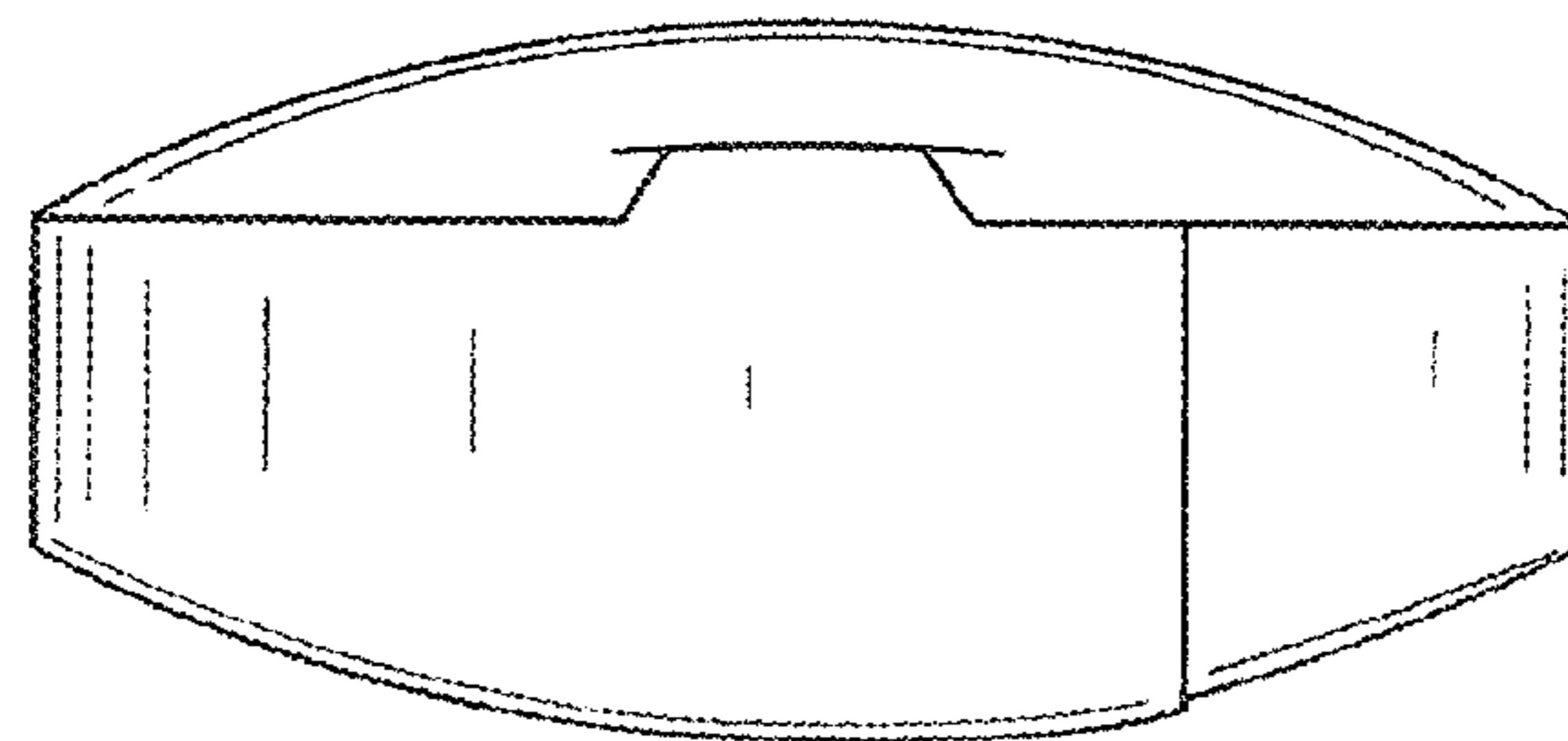


FIG. 16