



US00D786090S

(12) **United States Design Patent**
Murray

(10) **Patent No.:** **US D786,090 S**

(45) **Date of Patent:** **** May 9, 2017**

(54) **BEVERAGE POUCH**

(71) Applicant: **Pouch Pac Innovations, LLC,**
Sarasota, FL (US)

(72) Inventor: **R. Charles Murray,** Sarasota, FL (US)

(73) Assignee: **Pouch Pac Innovations, LLC,**
Sarasota, FL (US)

(**) Term: **15 Years**

(21) Appl. No.: **29/559,187**

(22) Filed: **Mar. 25, 2016**

(51) **LOC (10) Cl.** **09-05**

(52) **U.S. Cl.**
USPC **D9/707**

(58) **Field of Classification Search**

USPC D9/702-714, 429-432, 447, 720; 383/80,
383/42, 906, 903, 901, 93, 122-126,
383/121.1, 103, 96, 200; D7/213,
D7/601-602; 222/92, 81, 104-105, 107,
222/541.5, 529; 215/316; 493/52;
D24/207, 118, 129; D3/202
CPC ... B65D 1/00; B65D 1/02; B65D 1/10; B65D
1/32; B65D 1/243; B65D 1/0223; B65D
1/0292; B65D 23/00; B65D 2501/00;
B65D 2501/0009

See application file for complete search history.

(56) **References Cited**

U.S. PATENT DOCUMENTS

D271,805 S	*	12/1983	Larkin	D24/118
D478,504 S	*	8/2003	Crozet	D9/708
D582,788 S	*	12/2008	Smith	D9/708
D680,446 S	*	4/2013	Moynihan	D9/709
D680,880 S	*	4/2013	Johnson	D9/709
D699,128 S	*	2/2014	Moynihan	D9/707
D701,774 S	*	4/2014	Steigelman	D9/703

(Continued)

Primary Examiner — Abraham Bahta

(74) *Attorney, Agent, or Firm* — Dinsmore & Shohl LLP

(57) **CLAIM**

The ornamental design for beverage pouch, as shown and described.

DESCRIPTION

FIG. 1 is a perspective view of a beverage pouch in a filled state;

FIG. 2 is a front view of the beverage pouch in the filled state;

FIG. 3 is a first side view of the beverage pouch in the filled state;

FIG. 4 is a second side view of the beverage pouch in the filled state;

FIG. 5 is a top view of the beverage pouch in the filled state;

FIG. 6 is a rear view of the beverage pouch in the filled state;

FIG. 7 is a bottom view of the beverage pouch in the filled state;

FIG. 8 is a perspective view of the beverage pouch in the unfilled state;

FIG. 9 is a front view of the beverage pouch in the unfilled state;

FIG. 10 is a first side view of the beverage pouch in the unfilled state;

FIG. 11 is a second side view of the beverage pouch in the unfilled state;

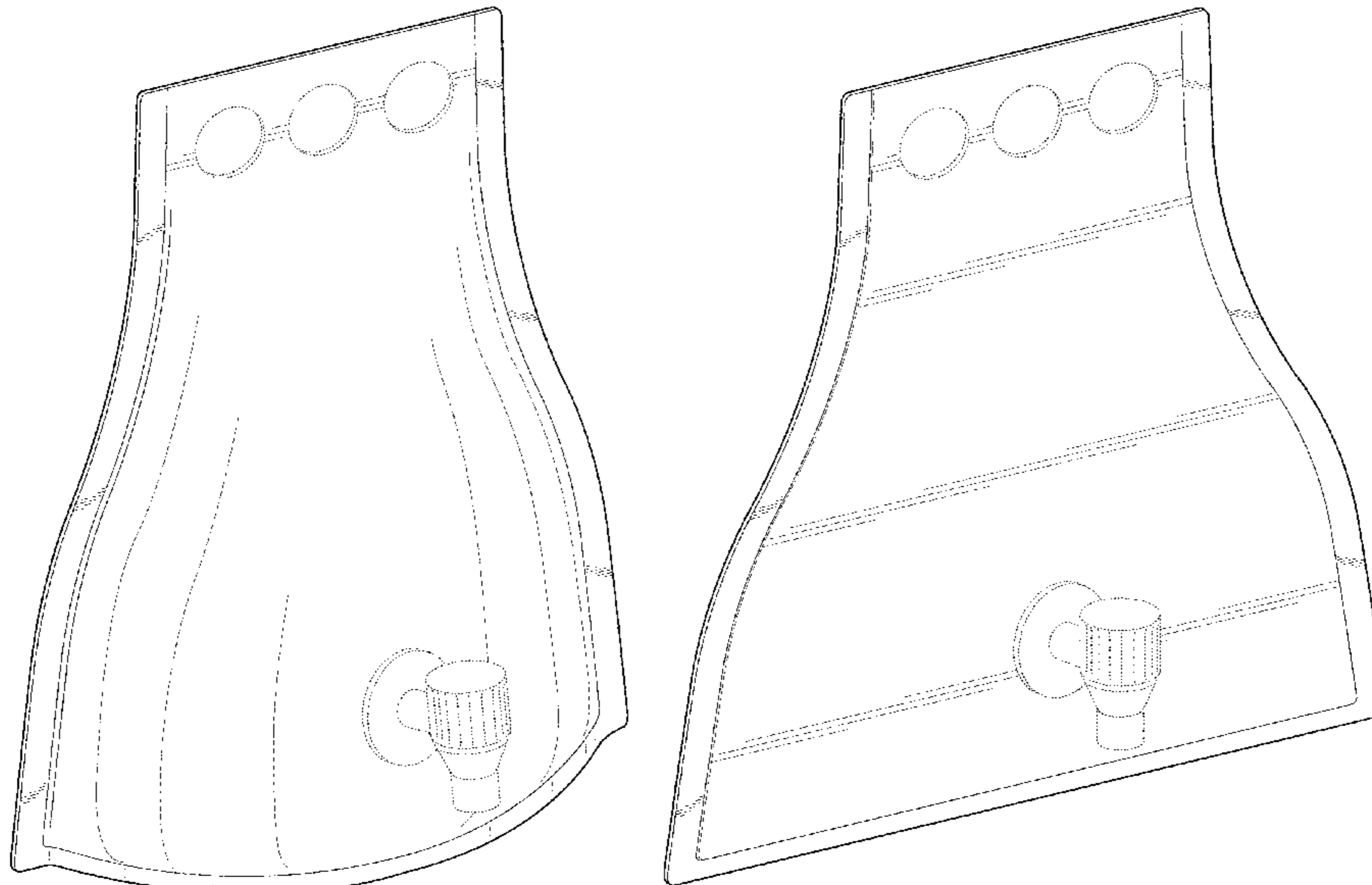
FIG. 12 is a rear view of the beverage pouch in the unfilled state;

FIG. 13 is a top view of the beverage pouch in the unfilled state; and,

FIG. 14 is a bottom view of the beverage pouch in the unfilled state.

It should be appreciated that the broken lines represent portion of the structure that form no part of the claim design.

1 Claim, 7 Drawing Sheets



(56)

References Cited

U.S. PATENT DOCUMENTS

D764,930 S * 8/2016 Contessa D9/702
D770,915 S * 11/2016 James D9/707

* cited by examiner



FIG. 1

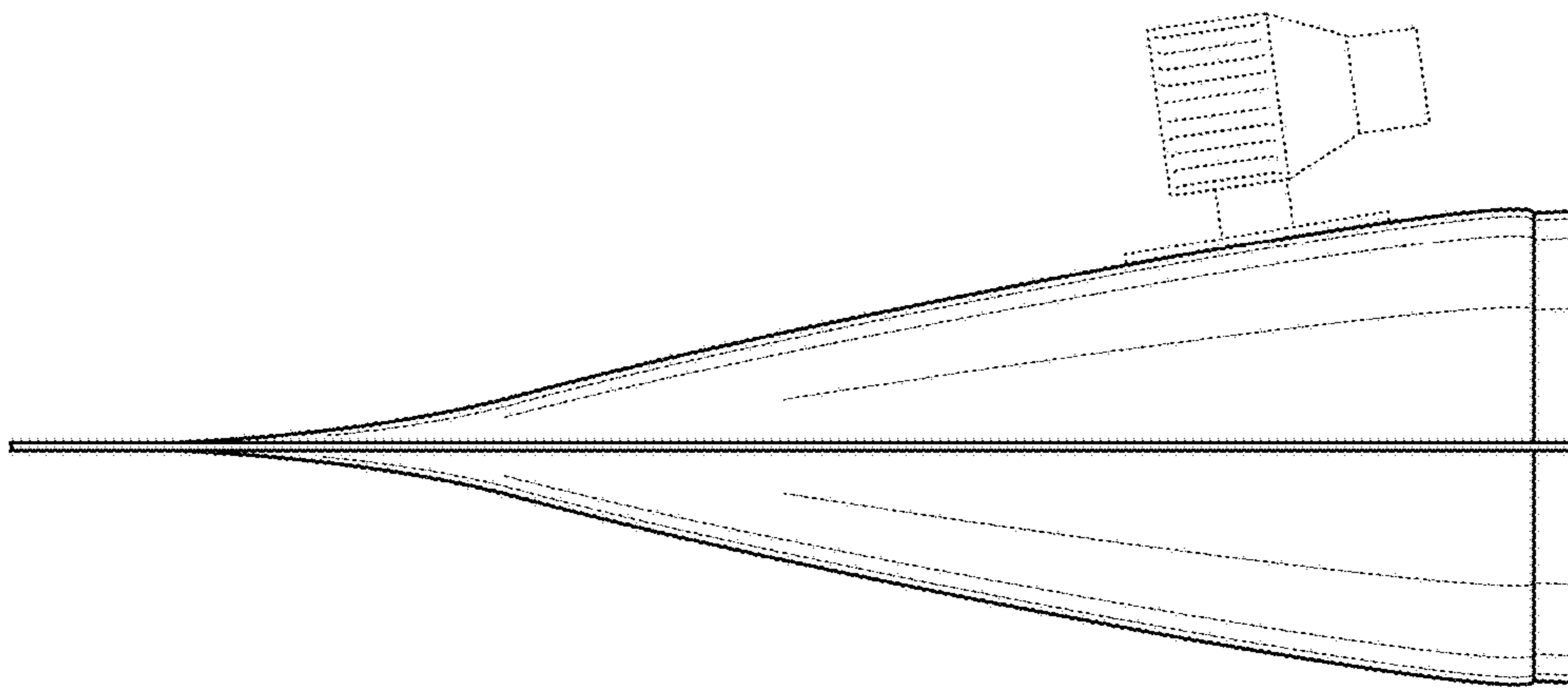


FIG. 3

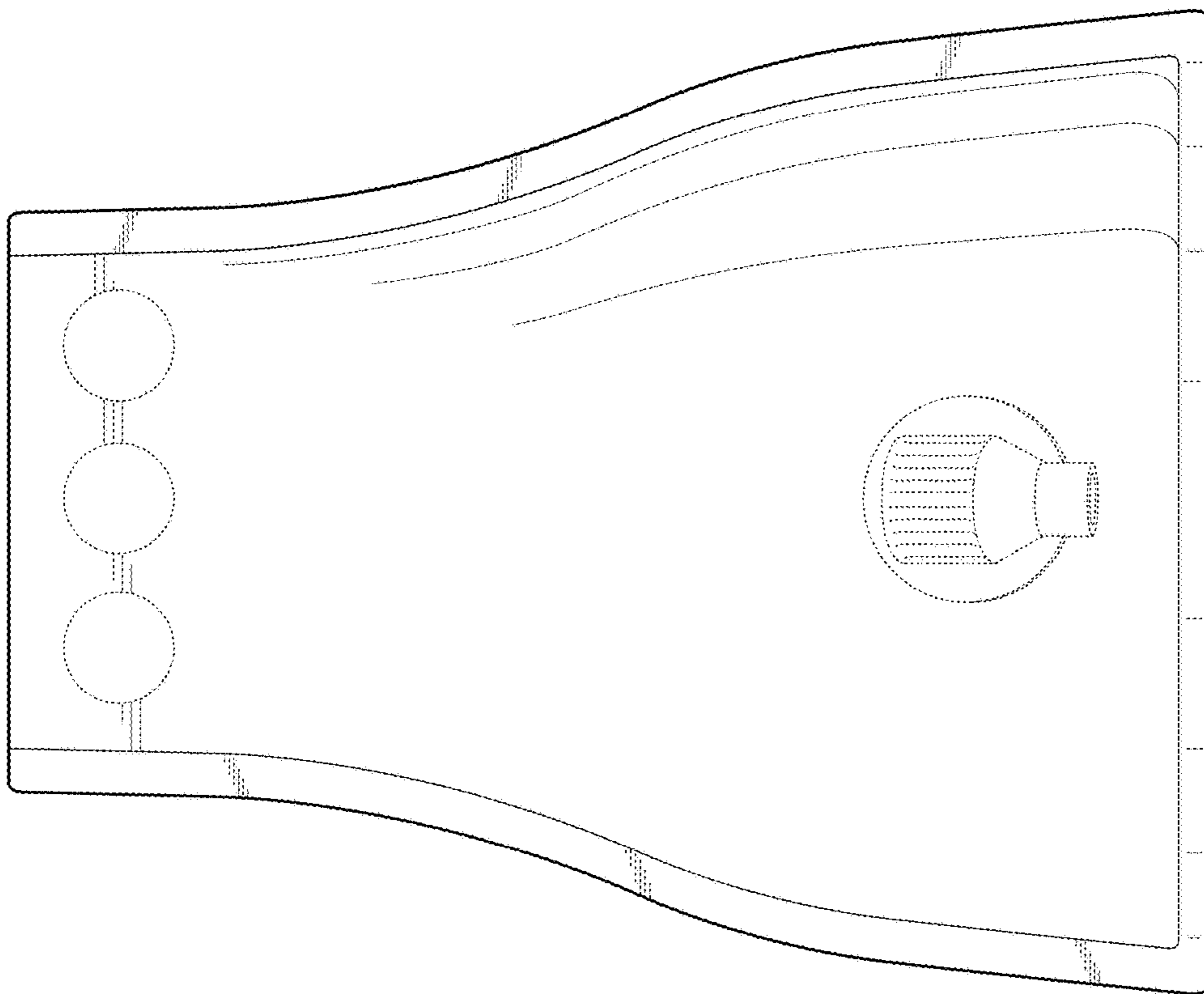


FIG. 2

FIG. 4

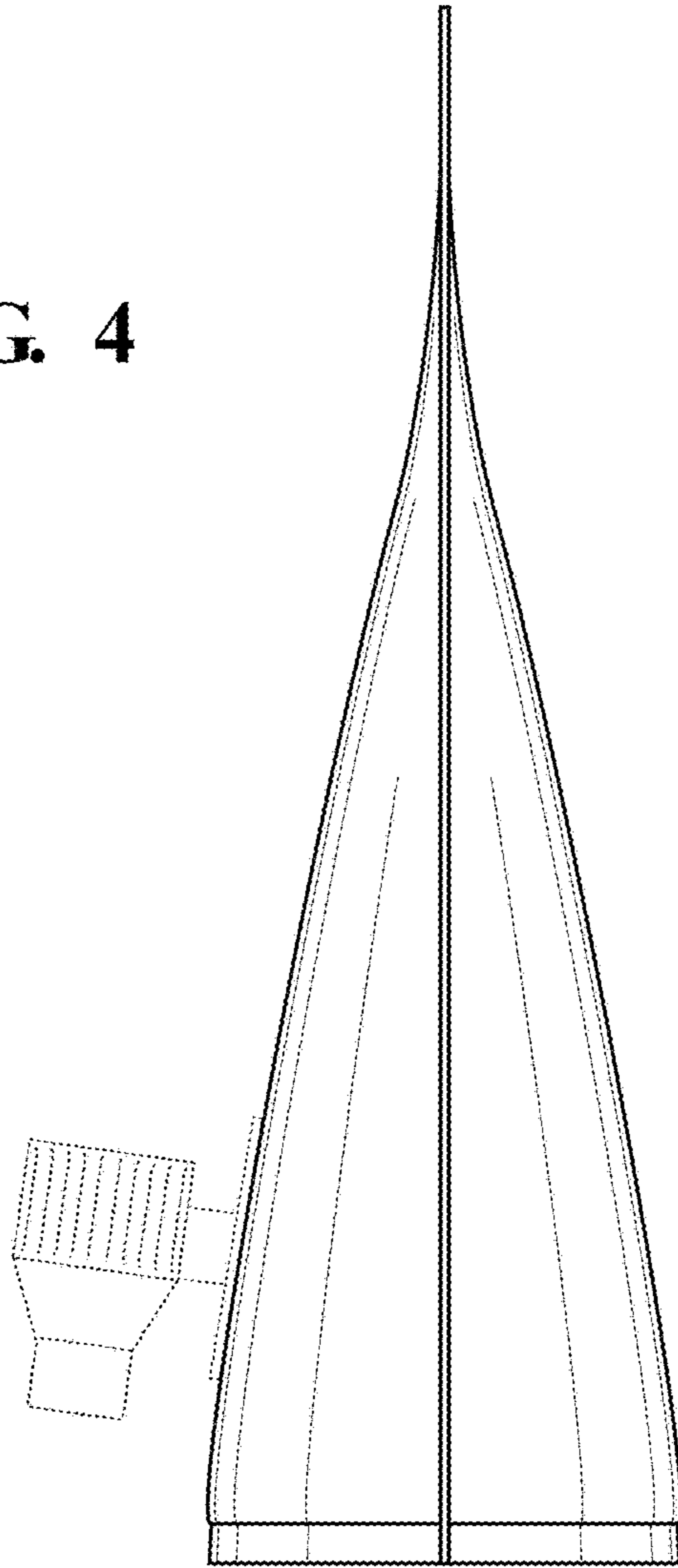


FIG. 5

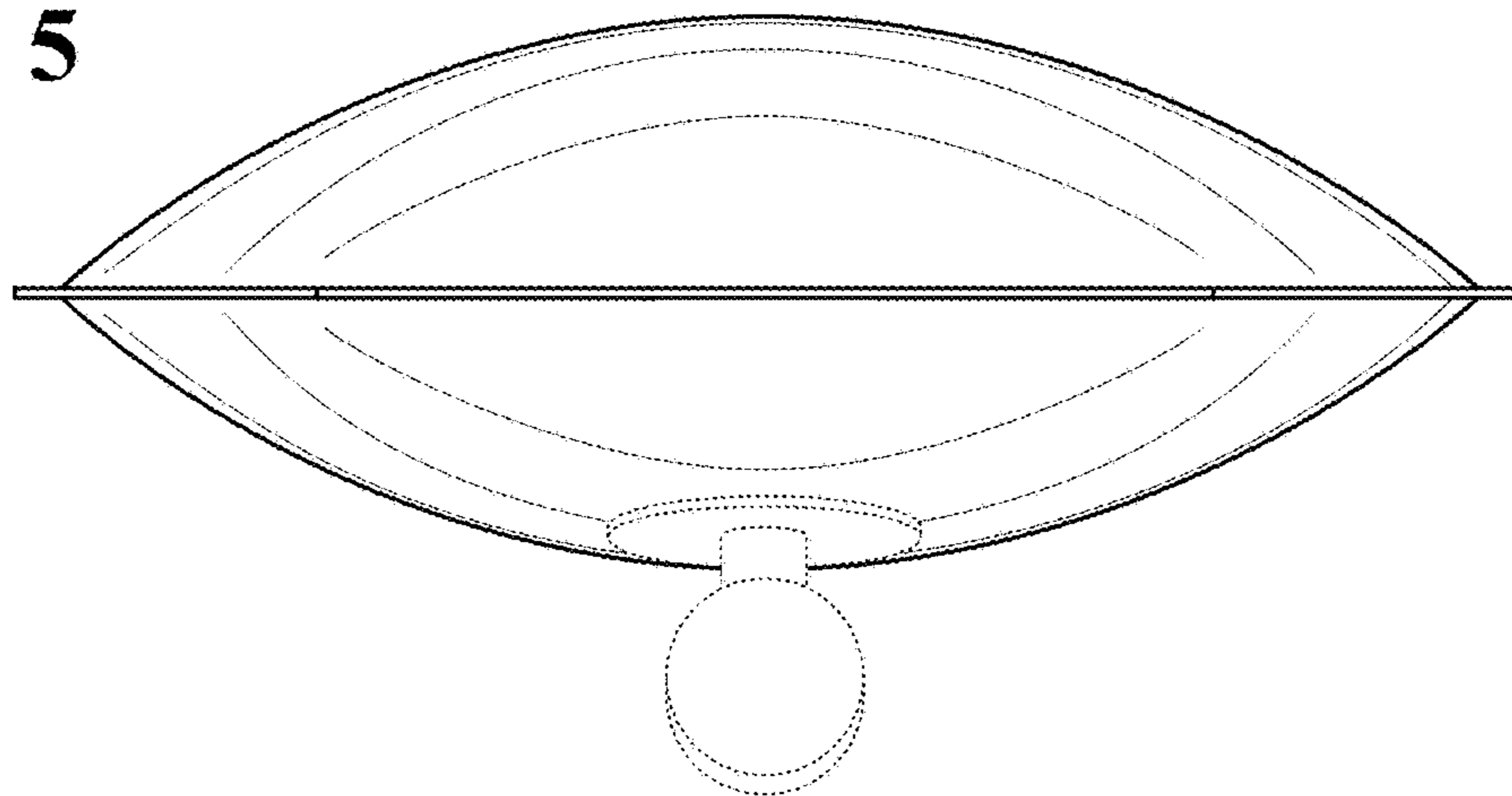


FIG. 6

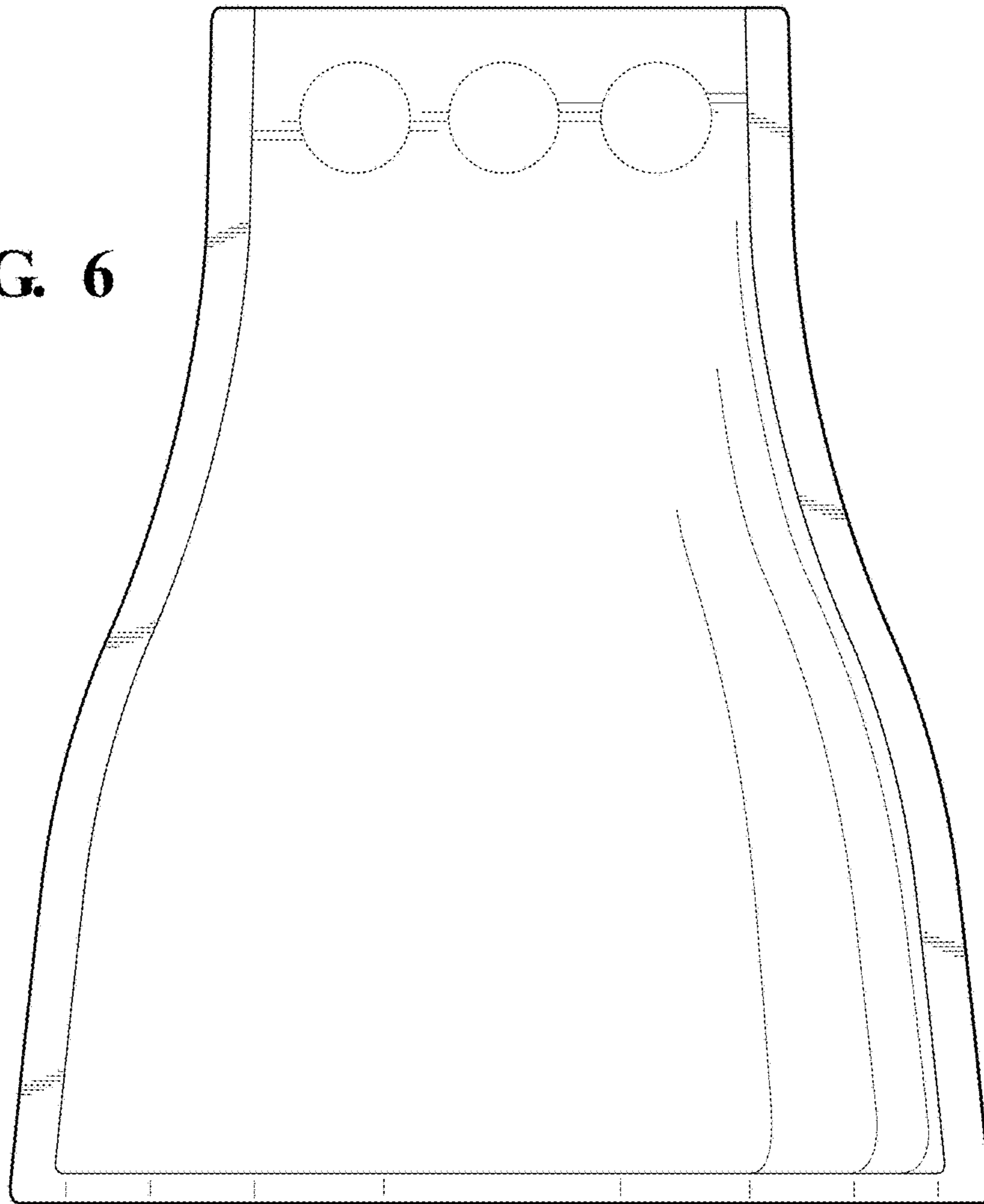
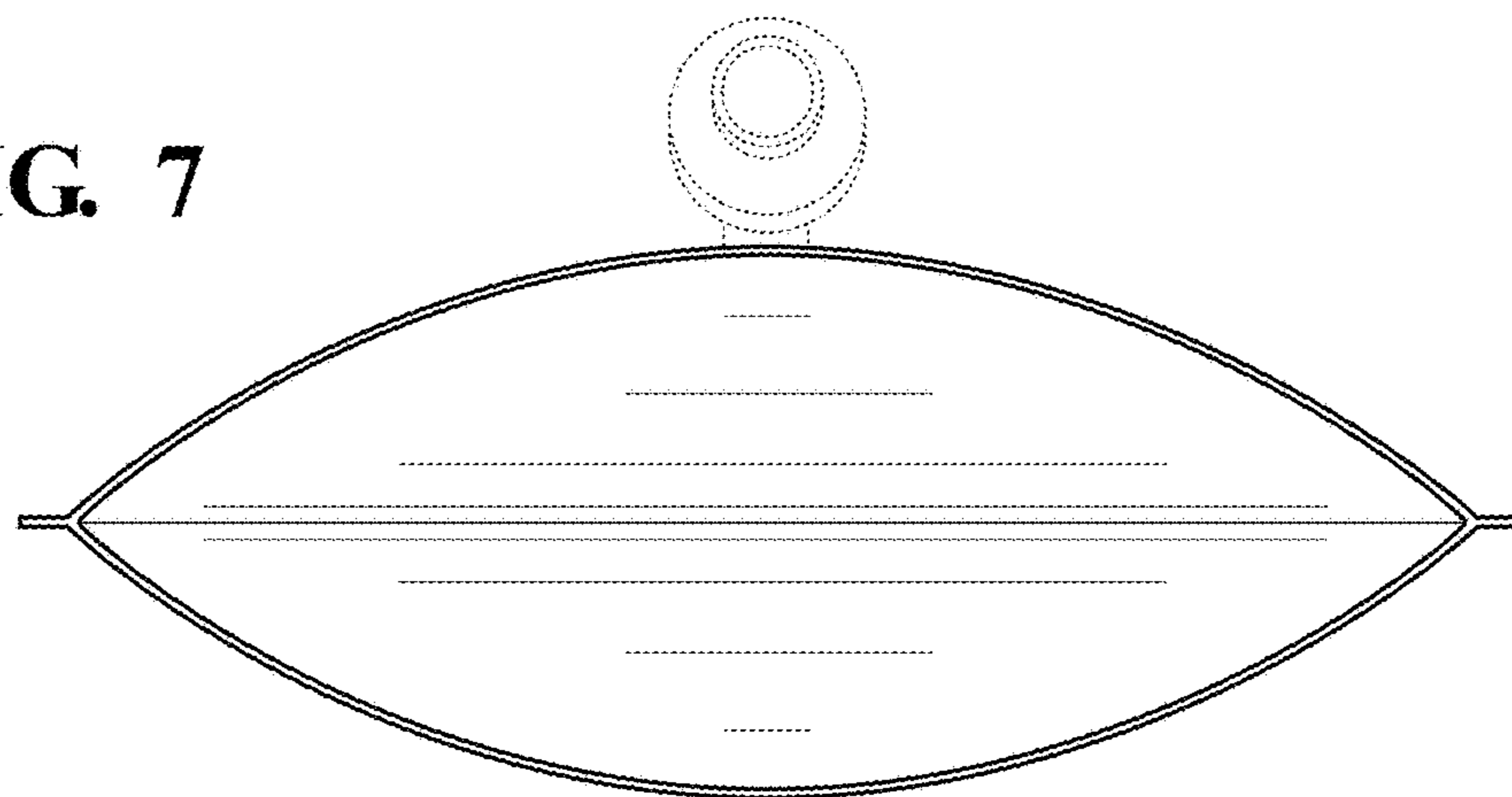


FIG. 7



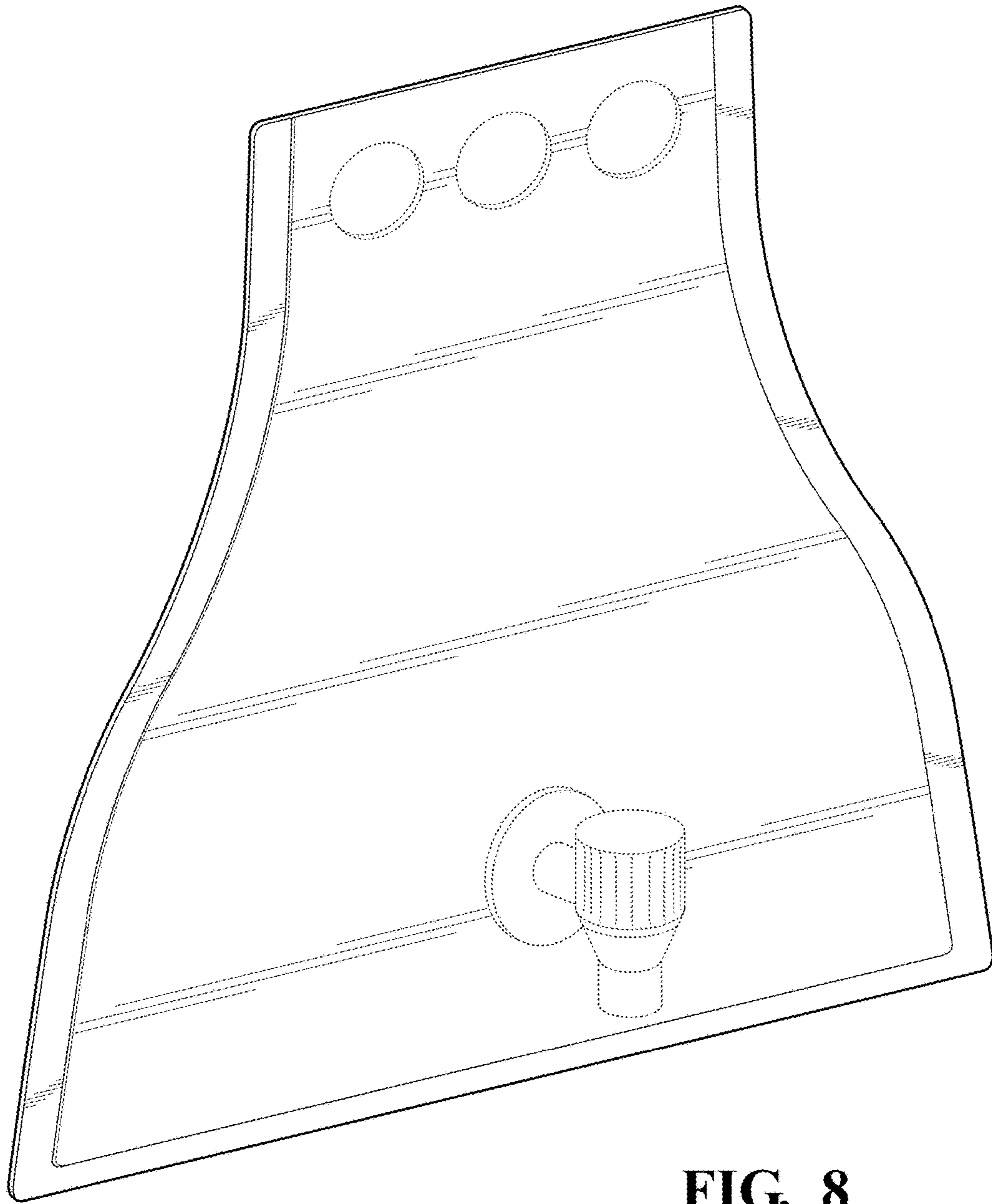


FIG. 8

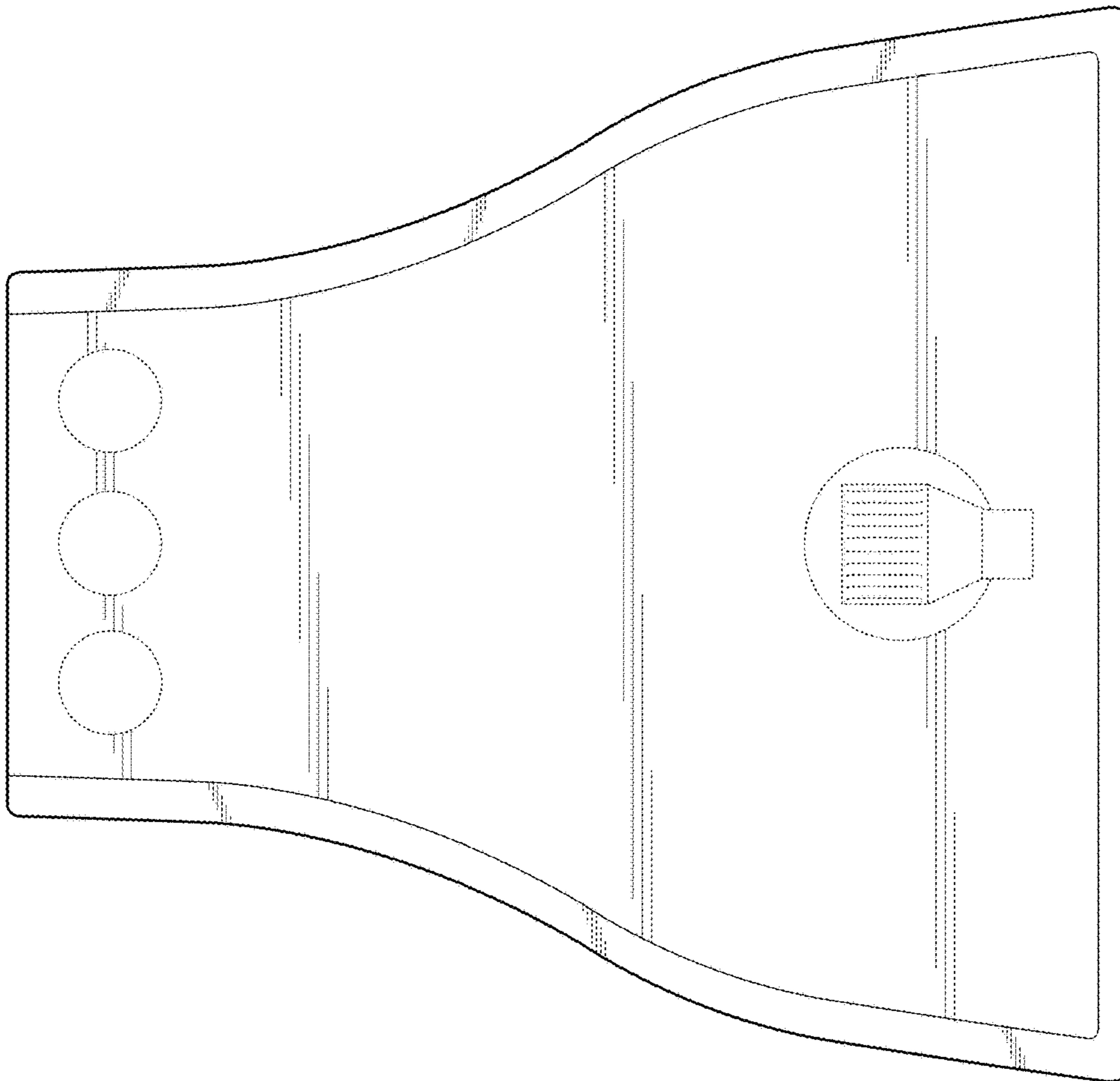


FIG. 9

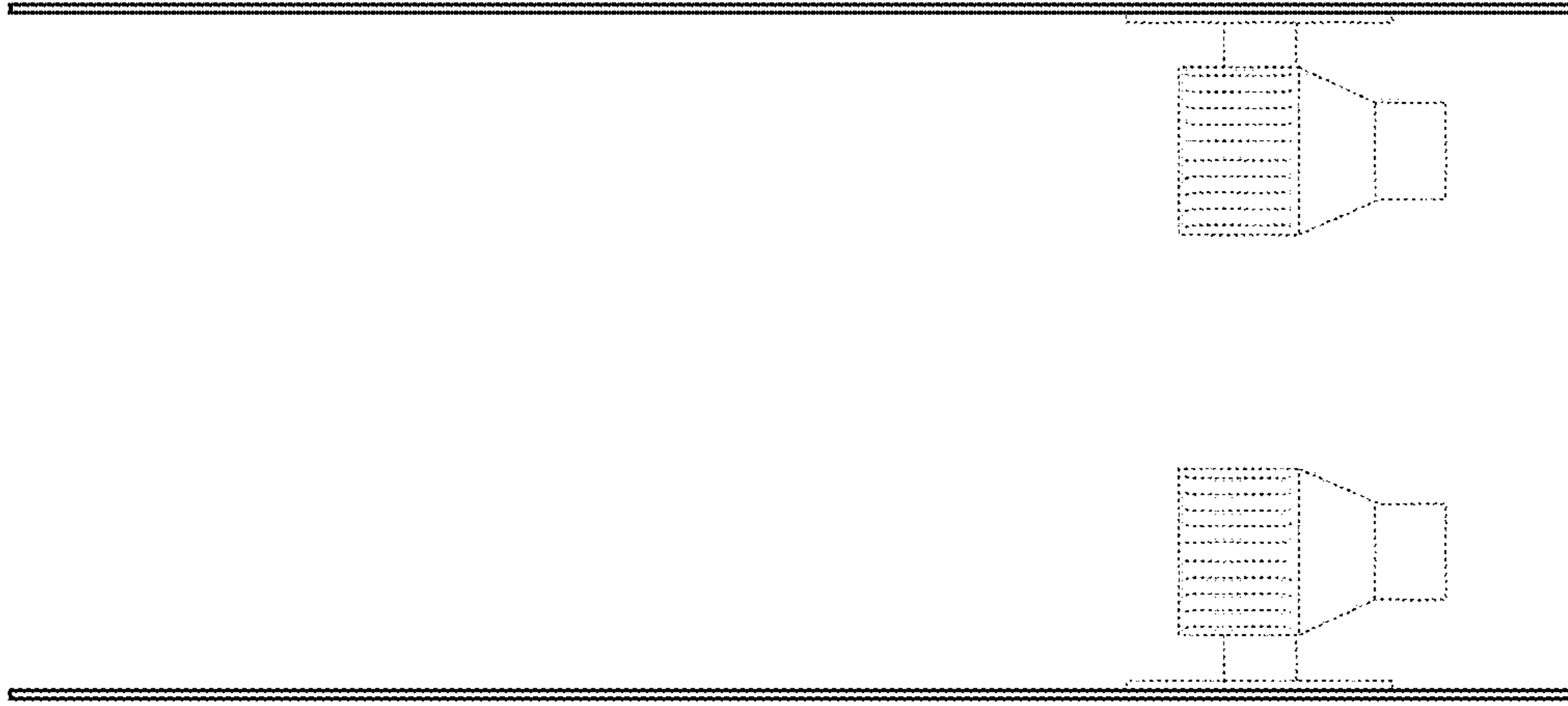


FIG. 10 FIG. 11

FIG. 13

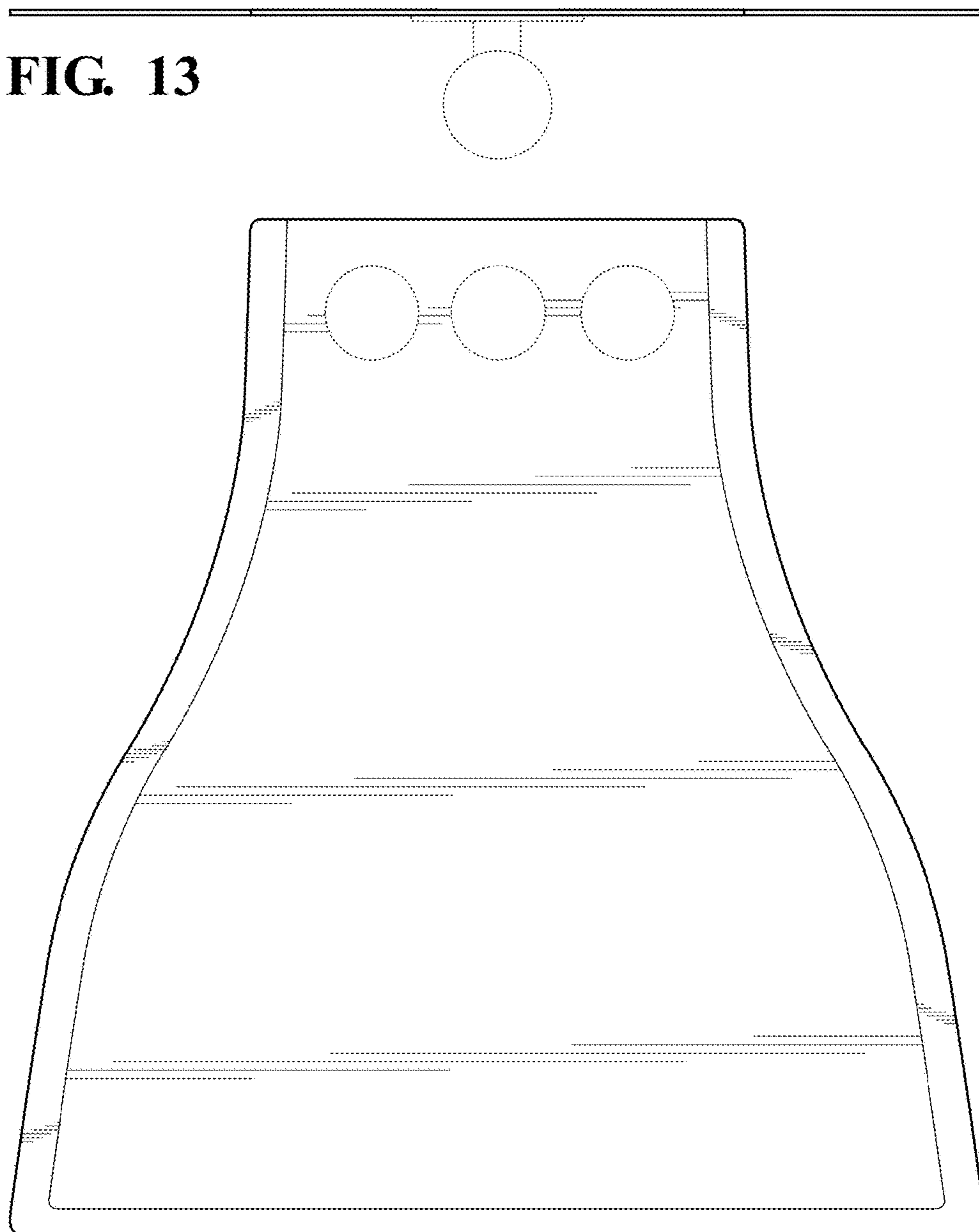


FIG. 12

FIG. 14

