



US00D786088S

(12) **United States Design Patent** (10) **Patent No.:** **US D786,088 S**  
**Wilson et al.** (45) **Date of Patent:** **\*\* May 9, 2017**

(54) **ANGLED PUMP WITH DEPRESSION**

FOREIGN PATENT DOCUMENTS

(71) Applicant: **HCT Group Holdings Limited,**  
Central (HK)

CN 1736816 A 2/2006  
CN 2866193 Y 2/2007

(Continued)

(72) Inventors: **Jeremy Jean Wilson,** Los Angeles, CA  
(US); **Adrian Apodaca,** Daly City, CA  
(US)

OTHER PUBLICATIONS

Beauty and Fashion Tech, "L'Oreal True Match Roller Foundation"  
retrieved on Jul. 21, 2010 at <http://www.beautyandgashiontech.com/2010/01/loreal-true-match-roller-foundation.html>, 8 pages.

(Continued)

(73) Assignee: **HCT GROUP HOLDINGS LIMITED,** Hong Kong (HK)

(\*\*) Term: **15 Years**

*Primary Examiner* — Catherine Tuttle

(21) Appl. No.: **29/532,894**

(74) *Attorney, Agent, or Firm* — Seager, Tufte &  
Wickhem LLP

(22) Filed: **Jul. 10, 2015**

(51) **LOC (10) Cl.** ..... **09-01**

(52) **U.S. Cl.**

USPC ..... **D9/688**

(58) **Field of Classification Search**

USPC ..... D9/500–504, 682, 688, 689, 690, 691,  
D9/692, 516, 529, 549, 551, 559,  
D9/447–450; D28/76, 77, 82, 91, 91.1

CPC ..... A45D 40/00; A45D 40/0068; A45D  
40/0075; A45D 40/26; A45D 34/00;  
A45D 34/02; A45D 34/04; A45D

2040/0012; A45D 2200/05; A45D  
2200/051; A45D 2200/054; A45D  
2200/055; A45D 2200/056; A45D

2200/057; B65D 83/0033; B65D 83/14;  
B65D 83/20; B65D 83/205; B65D  
83/206; B65D 83/38; B65D 83/384;

B05B 11/00; B05B 11/0027; B05B  
11/0035; B05B 11/0037; B05B 11/0048;  
B05B 11/0054; B05B 11/0072; B05B  
11/047; B05B 11/3001–11/3043

See application file for complete search history.

(57) **CLAIM**

The ornamental design for an angled pump with a depression,  
as shown and described.

**DESCRIPTION**

FIG. 1 is a top and front perspective view of the angled  
pump with depression showing our new design;

FIG. 2 is a top and front perspective view shown with the lid  
removed to disclose the underlying portions;

FIG. 3 is a front view of FIG. 2;

FIG. 4 is a rear view of FIG. 1;

FIG. 5 is a right side view of FIG. 2, the left side view being  
a mirror image thereof;

FIG. 6 is a top view of FIG. 2;

FIG. 7 is a bottom view of FIG. 2; and,

FIG. 8 is a cross section view taken along line 8-8 of FIG.  
6.

The broken line portions are included to show unclaimed  
subject matter only and form no part of the claimed design.

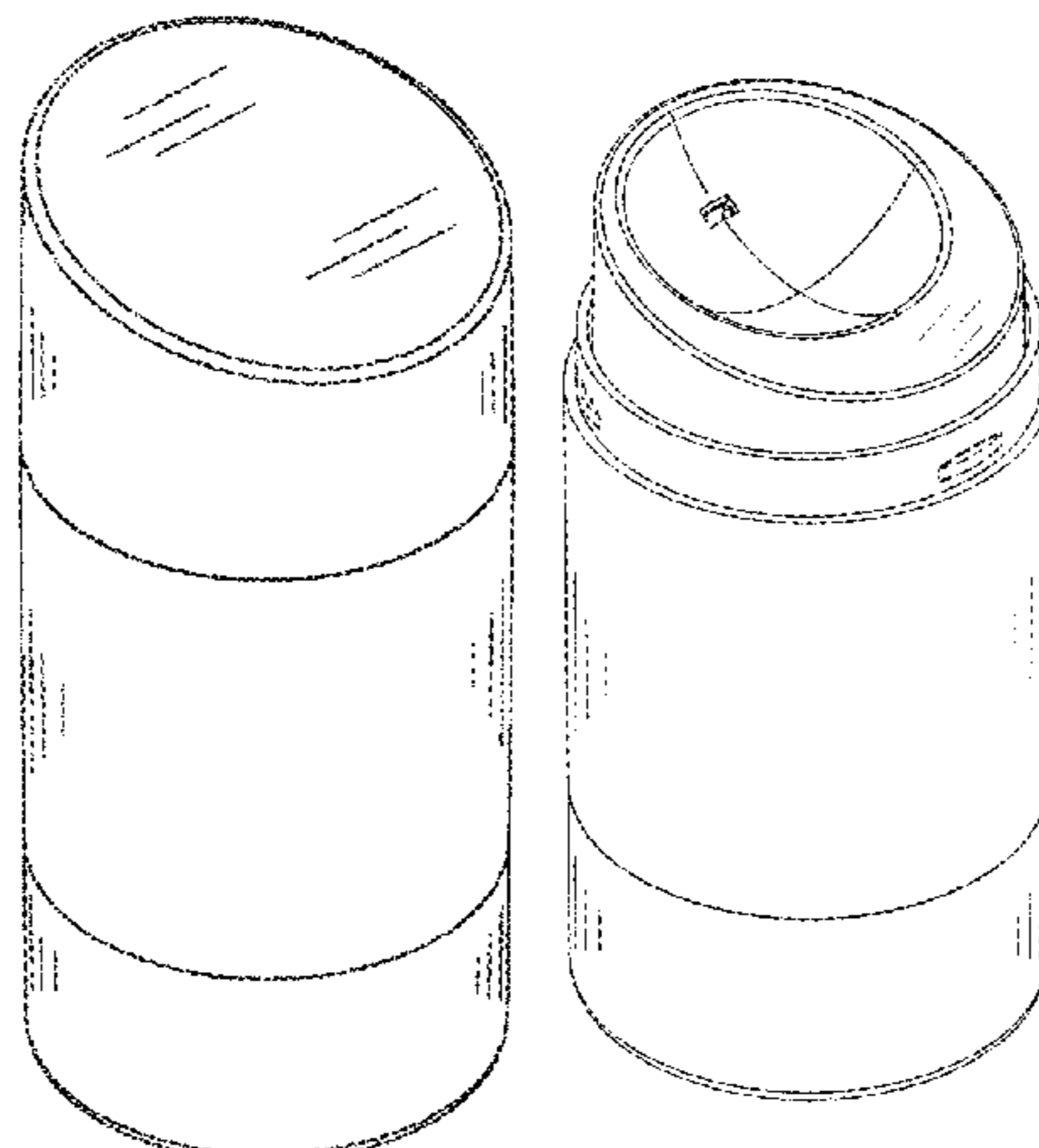
(56) **References Cited**

U.S. PATENT DOCUMENTS

D118,223 S 8/1871 Evans  
753,968 A 3/1904 Farmer

(Continued)

**1 Claim, 8 Drawing Sheets**



(56)

References Cited

U.S. PATENT DOCUMENTS

776,468 A	11/1904	Hosmer	4,626,119 A	12/1986	Ladd, Jr. et al.
1,030,440 A	6/1912	Waterman	4,630,954 A	12/1986	Ladd, Jr. et al.
1,065,879 A	6/1913	Krebs	4,630,955 A	12/1986	Ladd, Jr. et al.
1,067,596 A	7/1913	Fesler	4,647,240 A	3/1987	Ladd, Jr. et al.
1,112,193 A	9/1914	Carleton et al.	4,648,732 A	3/1987	Smialkowski
1,156,456 A	10/1915	Beck	4,652,162 A	3/1987	Ladd, Jr. et al.
1,170,923 A	2/1916	Malkin	4,671,431 A	6/1987	Obrist
1,188,214 A	6/1916	Sohn	4,671,690 A	6/1987	Ladd, Jr. et al.
1,274,697 A	8/1918	Dynowsky	4,674,537 A	6/1987	Bergmann
1,355,026 A	10/1920	Austin	4,681,127 A	7/1987	Gueret
1,357,306 A	11/1920	Aste	4,696,317 A	9/1987	Shioi et al.
1,358,597 A	11/1920	Tobias	4,728,211 A	3/1988	Ladd, Jr. et al.
1,365,246 A	1/1921	Kendall	D303,927 S	10/1989	Weber
1,462,034 A	7/1923	Finlayson	4,877,157 A	10/1989	Saulle
1,506,292 A	8/1924	Corsello	4,888,668 A	12/1989	Roll
1,616,381 A	2/1927	Macdougall	4,906,120 A	3/1990	Sekiguchi et al.
1,620,002 A	3/1927	Barany	4,909,265 A	3/1990	Goncalves
1,626,992 A	5/1927	Willk	4,927,281 A	5/1990	Gueret et al.
1,639,388 A	8/1927	Stebbins	4,940,350 A	7/1990	Kim et al.
1,642,780 A	9/1927	Kole et al.	D317,253 S *	6/1991	Seager ..... D9/689
1,659,800 A	2/1928	Bailey	D317,407 S	6/1991	Gray et al.
1,668,658 A	5/1928	Reutter	D319,105 S	8/1991	Cheng
1,709,445 A	4/1929	Tomes	5,050,276 A	9/1991	Pemberton
2,055,389 A	9/1936	Rosenberg	5,063,947 A	11/1991	Gueret et al.
D104,300 S	4/1937	Wolfsheim	D324,994 S	3/1992	Jentgen
2,321,265 A	6/1943	Ulvick	5,107,871 A	4/1992	Butcher et al.
D156,948 S	1/1950	Fisher	5,107,984 A	4/1992	Welschoff
2,518,382 A	8/1950	Ruthsatz	5,116,156 A	5/1992	Landi
2,697,642 A	12/1954	Rudy	5,137,038 A	8/1992	Kingsford et al.
2,701,659 A	2/1955	Baltosser	5,165,760 A	11/1992	Gueret et al.
2,725,038 A	11/1955	Morris	D337,207 S	7/1993	Tiramani et al.
2,816,308 A	12/1957	Schultz	5,301,838 A	4/1994	Schmidt et al.
2,817,451 A	12/1957	Giles et al.	5,302,043 A	4/1994	Velliquette et al.
2,825,080 A	3/1958	Bongiovanni	5,328,282 A	7/1994	Charrier et al.
2,866,993 A	1/1959	Edelstone	5,339,483 A	8/1994	Byun et al.
2,976,897 A	3/1961	Beckworth	D350,836 S	9/1994	Chevassus
2,990,086 A	6/1961	Williams	D355,363 S	2/1995	Iorii et al.
3,028,868 A	4/1962	Tandler, Jr.	5,482,059 A	1/1996	Miraglia
3,039,132 A	6/1962	Hambley	5,514,135 A	5/1996	Earle
3,095,598 A	7/1963	Gonnella et al.	5,515,876 A	5/1996	Warner et al.
3,100,589 A	8/1963	Love, Jr.	5,535,925 A	7/1996	Hinden et al.
3,111,736 A	11/1963	Budreck	5,570,813 A	11/1996	Clark, II
3,235,900 A	2/1966	Klassen	5,598,929 A	2/1997	Jensen et al.
D204,449 S	4/1966	Zavodsky	D389,064 S	1/1998	Sethi et al.
3,256,550 A	6/1966	Laxalt	5,704,378 A	1/1998	Machelett
3,259,935 A	7/1966	Miller	5,769,234 A	6/1998	Gueret
3,276,642 A	10/1966	Johnson, Jr.	D400,009 S	10/1998	Conway
3,282,473 A	11/1966	Moore	5,836,320 A	11/1998	Gueret et al.
3,342,379 A	9/1967	Foley	D405,684 S	2/1999	Gager et al.
D209,098 S	10/1967	Spieß	D408,626 S	4/1999	Lage
3,363,775 A	1/1968	Shaw	D411,749 S	6/1999	Nahum-Albright
3,536,333 A	10/1970	Gits et al.	5,934,816 A	8/1999	Bruttomesso
3,552,402 A	1/1971	Levy	5,950,638 A	9/1999	Crosota
3,729,011 A	4/1973	Gleicher	D416,491 S	11/1999	Gobe
3,734,106 A	5/1973	Zimmerman	5,975,368 A	11/1999	Wood
D230,137 S	1/1974	Bettonica	5,988,185 A	11/1999	Gueret et al.
3,837,749 A	9/1974	Spatz	5,992,423 A	11/1999	Tevolini
3,850,183 A	11/1974	Gruska	D417,752 S	12/1999	Bakic
D235,418 S *	6/1975	Petterson ..... D9/688	D418,253 S	12/1999	Bakic
D239,160 S	3/1976	Giberstein	6,010,264 A	1/2000	Scuderi et al.
D245,398 S	8/1977	Grodin	D419,865 S	2/2000	Gager et al.
4,129,391 A	12/1978	Gamacher et al.	6,035,865 A	3/2000	Krieger
4,147,284 A	4/1979	Mizzi et al.	D422,139 S	4/2000	Meikle
4,159,789 A	7/1979	Stoody et al.	6,053,183 A	4/2000	Rizzo
4,165,755 A	8/1979	Cassai	6,070,597 A	6/2000	Motherhead
4,224,958 A	9/1980	Kaplan et al.	D427,424 S	7/2000	Conway
4,310,108 A	1/1982	Motoyama et al.	D427,899 S *	7/2000	Bougamont ..... D9/688
D268,097 S	3/1983	Thompson	D429,424 S	8/2000	Vanderminden, Sr.
4,428,388 A	1/1984	Cassai et al.	D432,784 S	10/2000	Conway
4,441,629 A	4/1984	Mackal	D433,189 S	10/2000	Schoon et al.
4,446,880 A	5/1984	Gueret et al.	6,126,352 A	10/2000	Wiley et al.
4,454,966 A *	6/1984	Hicks ..... A45D 34/02 222/153.11	6,138,687 A	10/2000	Sheffler et al.
4,456,155 A	6/1984	Miyata et al.	D433,537 S	11/2000	Schoon et al.
D281,281 S	11/1985	Matalon	D434,187 S	11/2000	Schoon et al.
			6,142,695 A	11/2000	Byun
			6,145,514 A	11/2000	Clay et al.
			6,149,008 A	11/2000	Yuhara
			D436,434 S	1/2001	Conway
			6,173,719 B1	1/2001	Petit

(56)

References Cited

U.S. PATENT DOCUMENTS

6,189,697 B1	2/2001	Davis	D631,192 S	1/2011	Lim
6,224,287 B1	5/2001	Gieux	7,866,758 B2	1/2011	Jang
D447,694 S	9/2001	Leggett	7,878,727 B2	2/2011	Koptis
6,283,172 B1	9/2001	Thurner	7,918,620 B2	4/2011	Del Ponte
6,283,298 B1	9/2001	Seidler	D639,664 S	6/2011	Thorpe et al.
6,309,124 B1	10/2001	Gueret	D643,294 S	8/2011	Thorpe et al.
6,309,125 B1	10/2001	Peters	8,006,707 B2	8/2011	Thorpe et al.
6,311,701 B1	11/2001	Yuhara et al.	8,025,067 B2	9/2011	Thorpe et al.
6,332,482 B1	12/2001	Runge et al.	8,118,040 B2	2/2012	Bennett
6,336,460 B2	1/2002	Yuhara	8,132,578 B2	3/2012	LoPrete
6,363,948 B2	4/2002	Choi	8,210,187 B1	7/2012	Zhang
6,367,799 B1	4/2002	Sippel	8,286,648 B2	10/2012	Thorpe et al.
6,418,939 B1	7/2002	Byun	8,292,535 B2	10/2012	Thorpe
D468,423 S	1/2003	Renfrew	8,387,627 B2	3/2013	Yeom
D470,415 S	2/2003	Weber	8,499,970 B2	8/2013	Yoo
6,532,970 B2	3/2003	Phue	8,517,622 B2	8/2013	Apodaca et al.
6,546,937 B2	4/2003	Gueret	8,540,449 B2	9/2013	Song
6,588,958 B1	7/2003	Seidler	D691,889 S *	10/2013	Mettler ..... D9/454
6,591,842 B2	7/2003	Gueret	8,678,222 B2	3/2014	Thorpe et al.
6,592,054 B2	7/2003	Prus	8,714,857 B1	5/2014	Liu
D483,418 S	12/2003	Carr et al.	D710,211 S *	8/2014	Behar ..... D9/688
6,669,389 B2	12/2003	Gueret	8,839,803 B2	9/2014	Holloway
6,672,784 B2	1/2004	Baumann et al.	9,016,600 B2	4/2015	Pearson et al.
6,681,936 B2	1/2004	Godshaw et al.	9,016,968 B2	4/2015	Thorpe
6,758,374 B2	7/2004	Albisetti	2001/0037815 A1	11/2001	Gueret
6,769,572 B1	8/2004	Cullotta	2002/0014246 A1	2/2002	Choi
6,789,974 B2	9/2004	Atkinson et al.	2002/0040720 A1	4/2002	Byun
6,793,431 B1	9/2004	Tsai	2002/0056660 A1	5/2002	Gueret
6,831,541 B1	12/2004	Seidler	2002/0117423 A1	8/2002	Jackson
6,866,046 B2	3/2005	Gueret	2003/0024545 A1	2/2003	Delage
6,926,151 B1	8/2005	Perry et al.	2003/0154997 A1	8/2003	Lin
6,929,159 B1	8/2005	Haig	2004/0089318 A1	5/2004	Tahara
6,935,541 B1	8/2005	Campbell et al.	2004/0114988 A1	6/2004	Baumann et al.
6,935,802 B1	8/2005	Byun	2004/0120753 A1	6/2004	Gieux
6,945,403 B2	9/2005	Lombardi	2004/0129284 A1	7/2004	Abergel
6,974,513 B2	12/2005	Kepka	2004/0168700 A1	9/2004	Dorf
7,028,843 B2	4/2006	Byun	2004/0250833 A1	12/2004	Jang
D526,121 S	8/2006	Nip	2005/0011895 A1	1/2005	Lin
D527,180 S	8/2006	Raile	2005/0031401 A1	2/2005	Gueret
7,100,806 B2	9/2006	Schuster et al.	2005/0224392 A1	10/2005	Perry et al.
7,101,107 B1	9/2006	Byun	2005/0247740 A1	11/2005	Puzio
7,108,441 B2	9/2006	Altonen et al.	2005/0249539 A1	11/2005	Habatjou
D532,637 S	11/2006	Bassett et al.	2005/0286967 A1	12/2005	Blauzdys
D533,074 S *	12/2006	Mongeon ..... D9/529	2006/0026783 A1	2/2006	McKay
7,163,130 B2	1/2007	Lafond	2006/0097011 A1	5/2006	Kou
D537,180 S	2/2007	Hsu	2006/0186019 A1	8/2006	Lu
D539,153 S *	3/2007	Marx ..... D9/529	2006/0222451 A1	10/2006	Glassman
7,188,753 B2	3/2007	Campbell	2006/0278665 A1	12/2006	Bennett
D541,169 S *	4/2007	Ball ..... D9/537	2007/0014624 A1	1/2007	Fogelson et al.
D541,990 S *	5/2007	Hsu ..... D28/89	2007/0071538 A1	3/2007	Doria
7,234,474 B2	6/2007	Byun	2007/0084885 A1	4/2007	Conway et al.
7,237,973 B1	7/2007	Lou	2007/0098485 A1	5/2007	Byun
D553,355 S	10/2007	Mosteller	2007/0158372 A1	7/2007	Kurek et al.
D555,507 S *	11/2007	Presche ..... D9/690	2007/0187284 A1	8/2007	Goto et al.
7,316,235 B2	1/2008	Maio et al.	2007/0199575 A1	8/2007	Del Ponte
7,334,709 B1	2/2008	Huang	2007/0205233 A1	9/2007	Petit et al.
7,344,327 B2	3/2008	Gueret	2007/0228079 A1	10/2007	Vogel et al.
D572,476 S	7/2008	Raile	2007/0235471 A1	10/2007	Radermacher
7,419,323 B1	9/2008	Zhang	2008/0011320 A1	1/2008	Bouix et al.
7,429,141 B2	9/2008	Habatjou	2008/0178903 A1	7/2008	Thorpe et al.
7,461,993 B1	12/2008	Sampaio	2008/0264440 A1	10/2008	Thorpe
7,467,905 B2	12/2008	Habatjou	2008/0283083 A1	11/2008	Piao
7,494,030 B2	2/2009	Bennett	2009/0162131 A1	6/2009	Thorpe et al.
7,524,125 B2	4/2009	Lambert	2009/0183328 A1	7/2009	King
D594,320 S	6/2009	Tanaka et al.	2009/0188518 A1	7/2009	Thorpe et al.
D598,655 S	8/2009	Thorpe et al.	2009/0194120 A1	8/2009	Pires et al.
7,628,559 B2	12/2009	Petit	2009/0194127 A1	8/2009	Pires et al.
D608,205 S	1/2010	Bartholomeu et al.	2009/0205673 A1	8/2009	Richardson
7,677,827 B1	3/2010	Manukian	2009/0272400 A1	11/2009	Park et al.
D620,808 S	8/2010	Gieux	2010/0017990 A1	1/2010	Piao
7,775,737 B2	8/2010	Deans et al.	2010/0028070 A1	2/2010	Gieux et al.
D623,949 S *	9/2010	Thronsdon ..... D9/454	2010/0037407 A1	2/2010	Telwar
7,794,168 B2	9/2010	Chang	2010/0054844 A1	3/2010	Thorpe
D626,005 S *	10/2010	Duquet ..... D9/686	2010/0119290 A1	5/2010	Thorpe et al.
7,854,562 B2	12/2010	Peterson et al.	2010/0236004 A1	9/2010	Xu
			2011/0250008 A1	10/2011	Lim
			2011/0253166 A1	10/2011	Lin
			2012/0031925 A1 *	2/2012	Greenberg ..... B05B 11/3059

(56)

References Cited

U.S. PATENT DOCUMENTS

2012/0267390 A1 10/2012 Jeong et al.  
 2012/0267398 A1\* 10/2012 Lim ..... A45D 34/04  
 222/256  
 2013/0068801 A1 3/2013 Lai  
 2013/0087165 A1 4/2013 Lee et al.  
 2013/0108350 A1 5/2013 Ulrich et al.  
 2013/0161345 A1 6/2013 Tatin  
 2014/0061243 A1\* 3/2014 Goettke ..... B05B 11/3001  
 222/182  
 2014/0145011 A1 5/2014 Brand et al.  
 2014/0270897 A1\* 9/2014 Laurusonis ..... B05C 1/00  
 401/146

FOREIGN PATENT DOCUMENTS

CN 201067174 Y 6/2008  
 CN 201131422 Y 10/2008  
 CN 101884463 A 11/2010  
 DE 10038850 A1 2/2002  
 DE 202008002070 U1 5/2008  
 EP 1195106 A1 4/2002  
 EP 2084986 A2 8/2009  
 EP 2301379 A1 3/2011  
 FR 2911766 A1 8/2008  
 FR 2989290 A1\* 10/2013 ..... B05B 11/0021  
 GB 798044 A 7/1958  
 GB 2404370 A 2/2005  
 GB 2446039 A 7/2008  
 GB 2463086 A1 3/2010  
 JP 57018414 A 1/1982  
 JP 556487 U 7/1993  
 JP 9056462 A 3/1997  
 JP 3051335 U1 6/1998  
 JP 10249253 A 9/1998  
 JP 2000254575 A 9/2000  
 JP 2001190327 A 7/2001  
 JP 2002059044 A 2/2002  
 JP 2002306236 A 10/2002

JP 2003033228 A 2/2003  
 JP 2004222853 A 8/2004  
 JP 2005121103 A 5/2005  
 JP 2006312083 A 11/2006  
 JP 2007068945 A 3/2007  
 JP 2010110598 A 5/2010  
 KR 200322309 Y1 8/2003  
 KR 200432010 Y1 11/2006  
 KR 20090004125 A 1/2009  
 KR 20090104593 A 10/2009  
 KR WO 2012074162 A1\* 6/2012 ..... A45D 34/00  
 KR WO 2015147526 A1\* 10/2015 ..... B05B 11/0048  
 WO 9211785 A1 7/1992  
 WO 0210029 A1 2/2002  
 WO 2006101339 A1 9/2006  
 WO 2007117091 A1 10/2007  
 WO 2010098997 A1 9/2010  
 WO 2012071376 A2 5/2012

OTHER PUBLICATIONS

CN 3203451, Registered Industrial Design Application (Tianjin Samsun Brushes Ltd.) Oct. 10, 2001.  
 CN 3401674, Registered Industrial Design Application (Tianjin Samsung Brushed Ltd.), Nov. 3, 2004.  
 “Givenchy Demesure Audacious Lashes Mascara”, May 17, 2011, retrieved from the internet at <<<http://www.fashionizers.com/perfumes-makeuo/givenchy-demesure-audacious-lashes-mascarar/>, 9 pages.  
 “Color Wonder Airbrush”, Crayola, retrieved on Feb. 20, 2014 at <http://shop.crayola.com/art-and-craft-supplies/mess-free-coloring/color-wonder-airbrush-7522190000.html>, 2 pages.  
 “Marker Airbrush”, Crayola, retrieved on Feb. 20, 2015 at <http://shop.crayola.com/toys/creative-activites/marker-airbrush-0487270001.html>>>, 2 pages.  
 Sure Shot Milwaukee Sprayer, retrieved from <http://www.sureshotsprayer.com/AtomizersSprayers.html> on Jan. 7, 2014; 2 pages.

\* cited by examiner

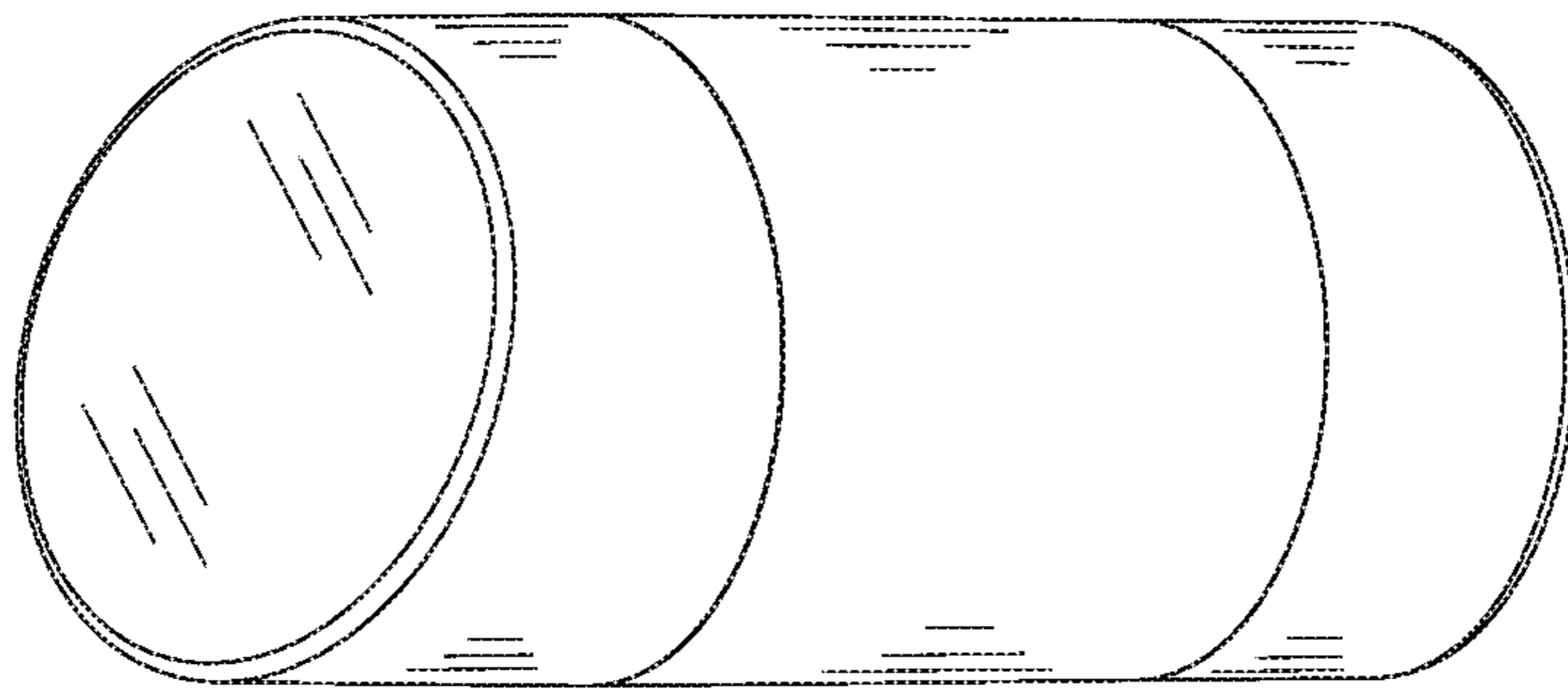


FIG. 1

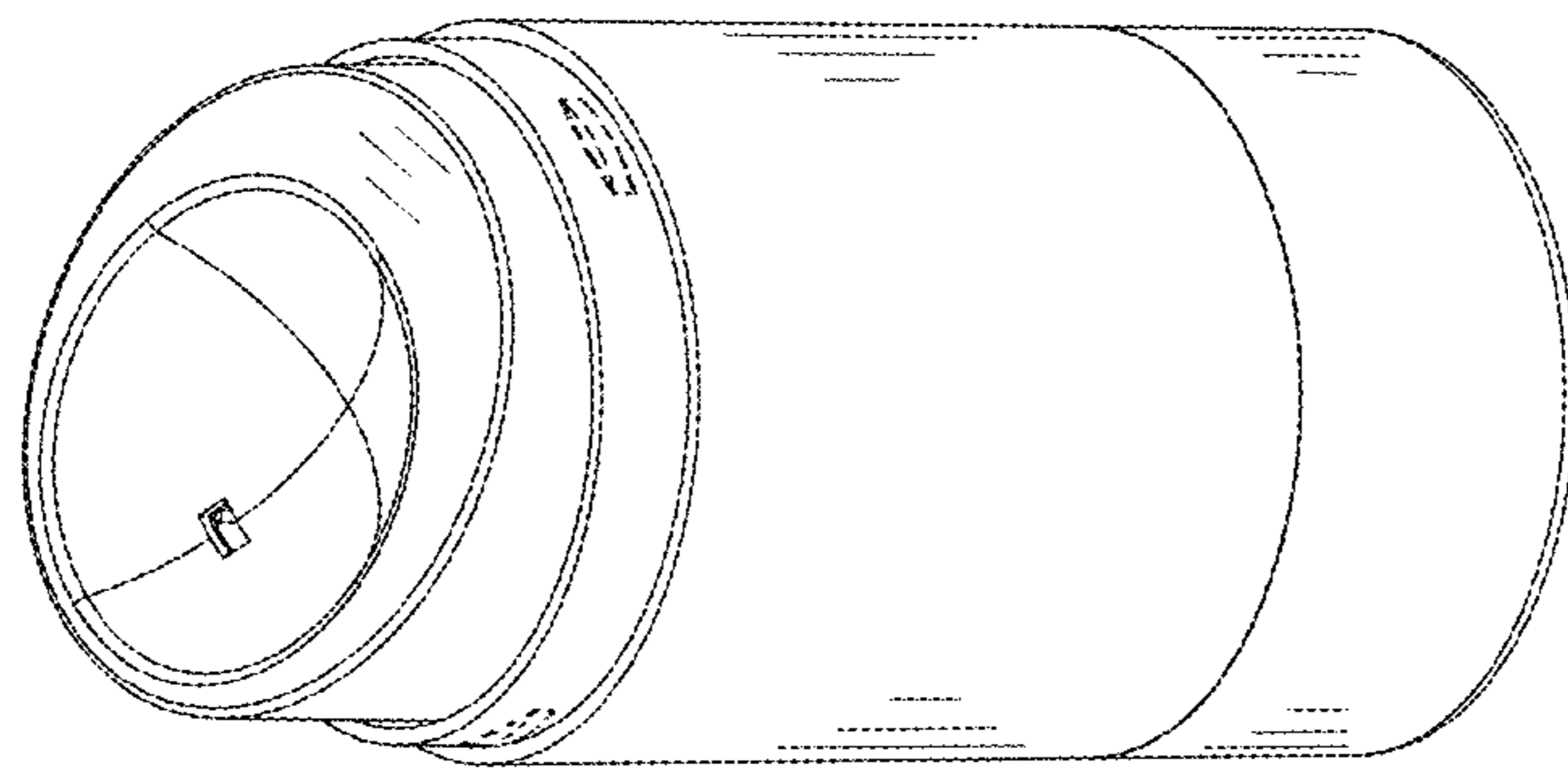


FIG. 2

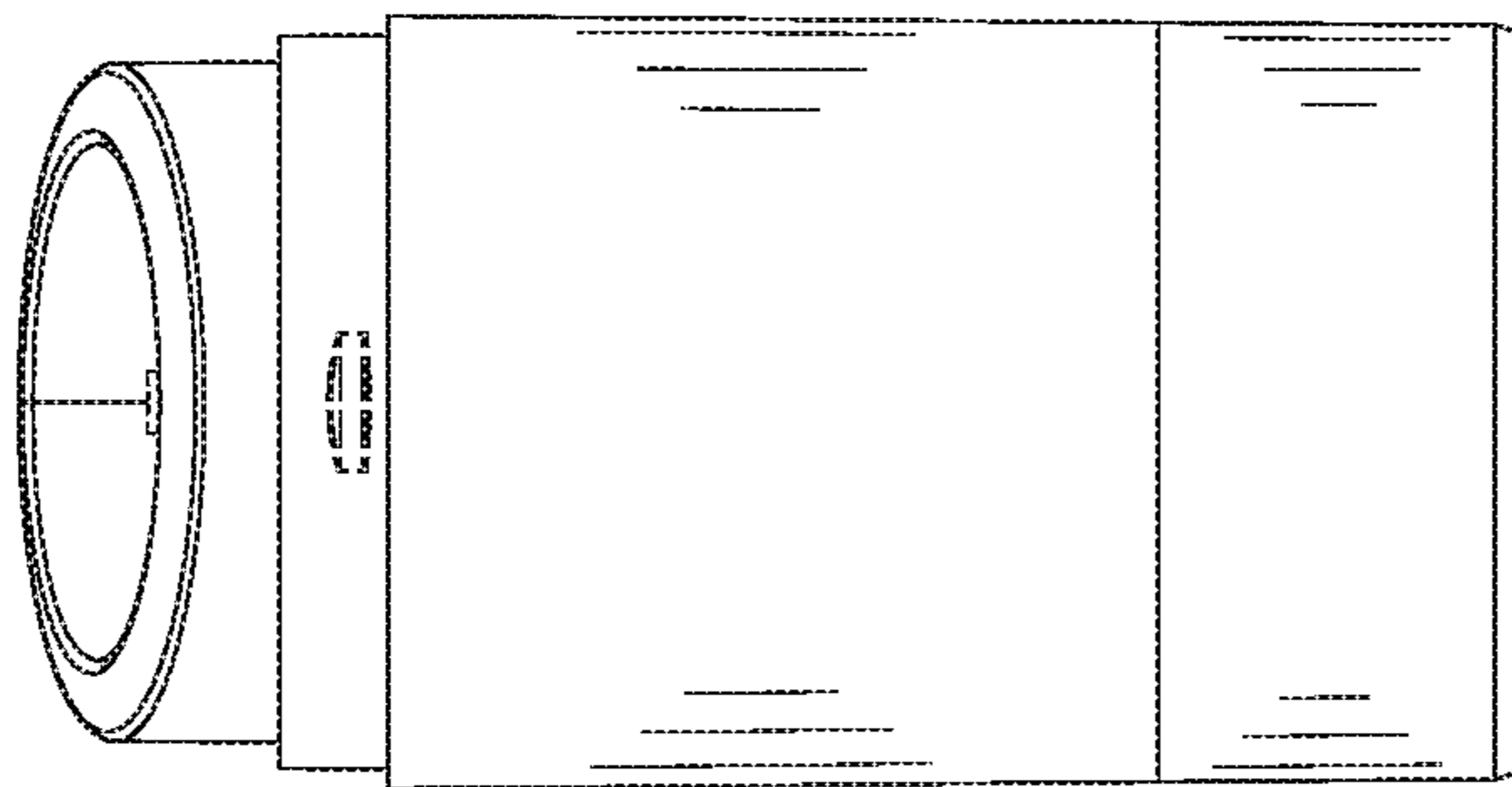


FIG. 3

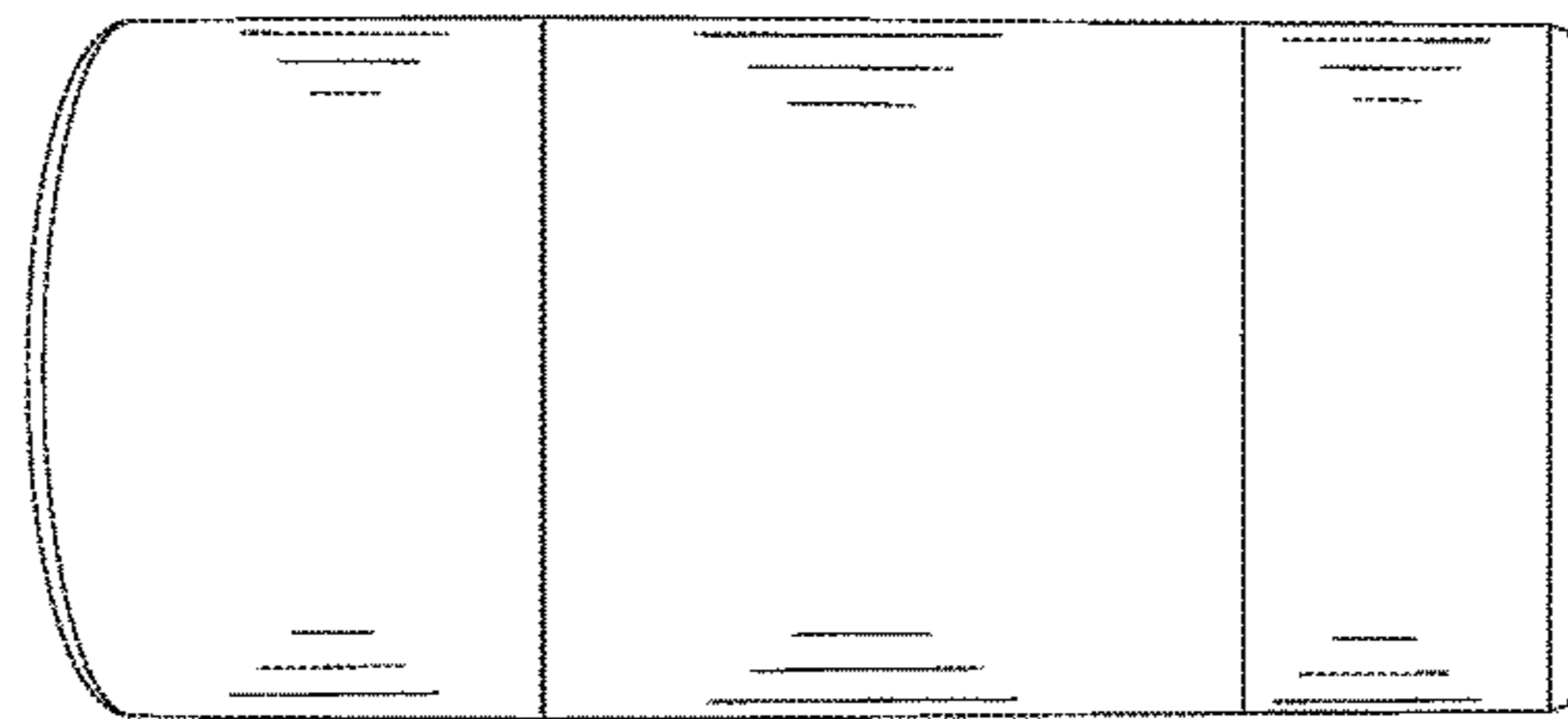


FIG. 4



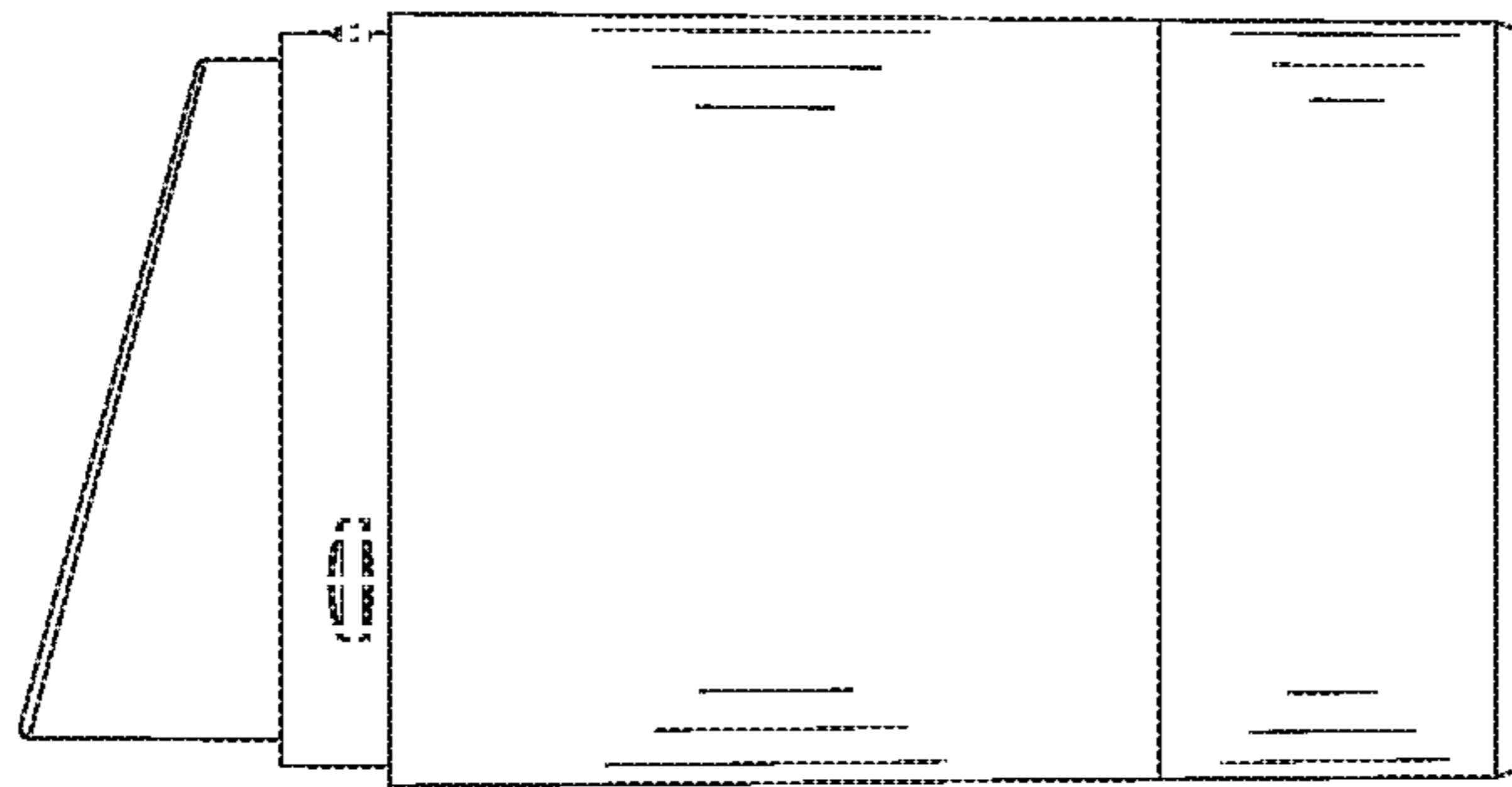


FIG. 5

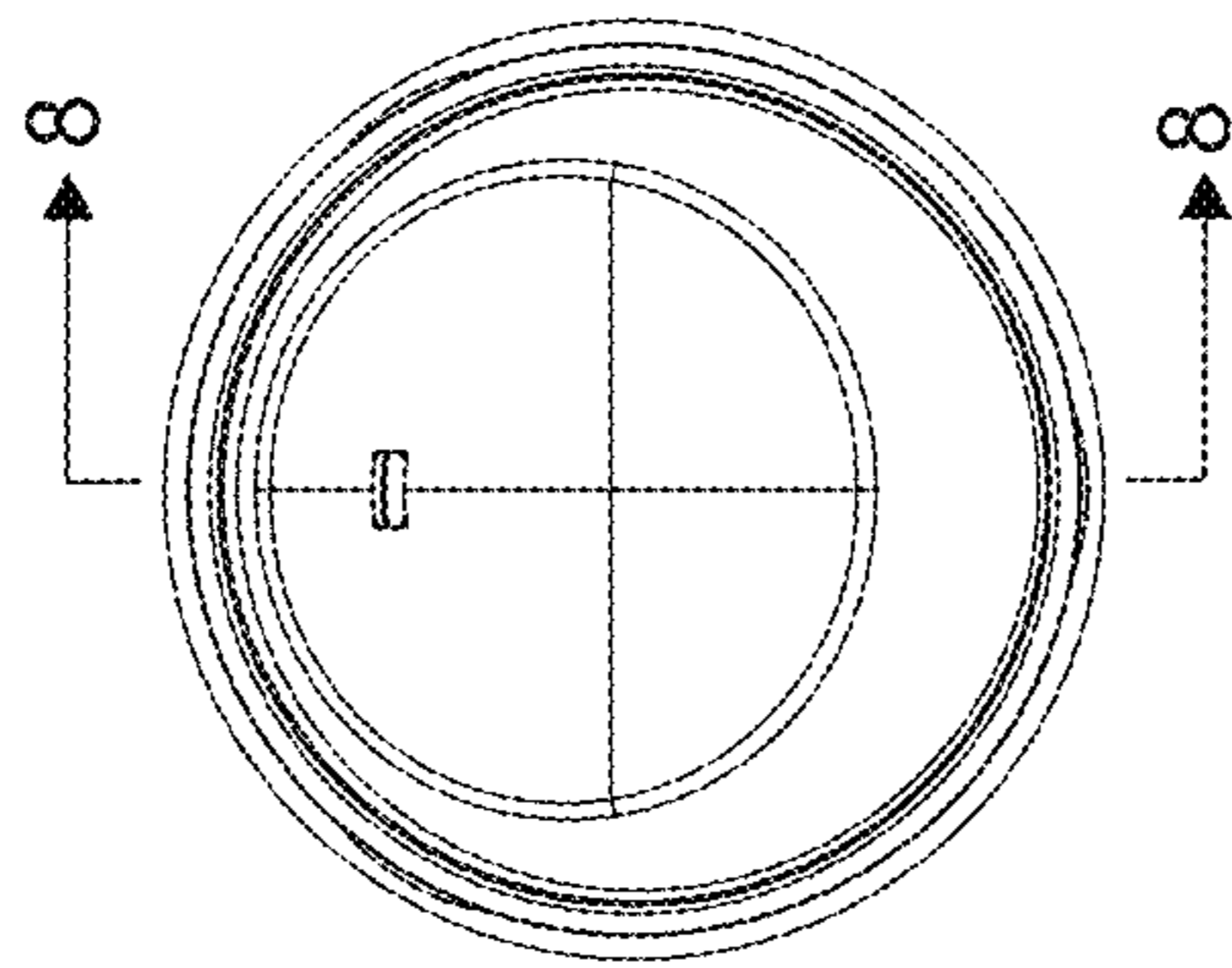


FIG. 6

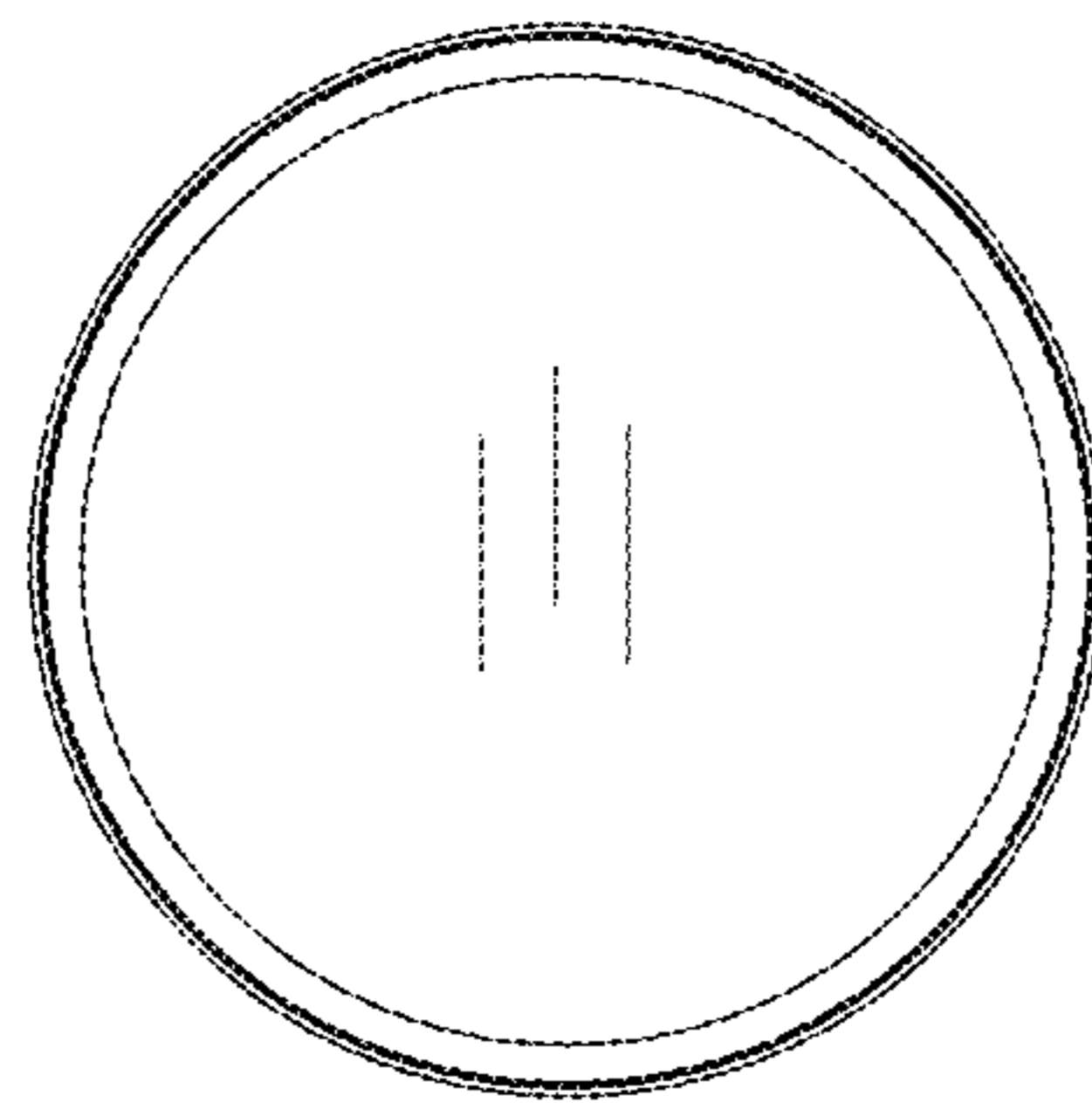


FIG. 7

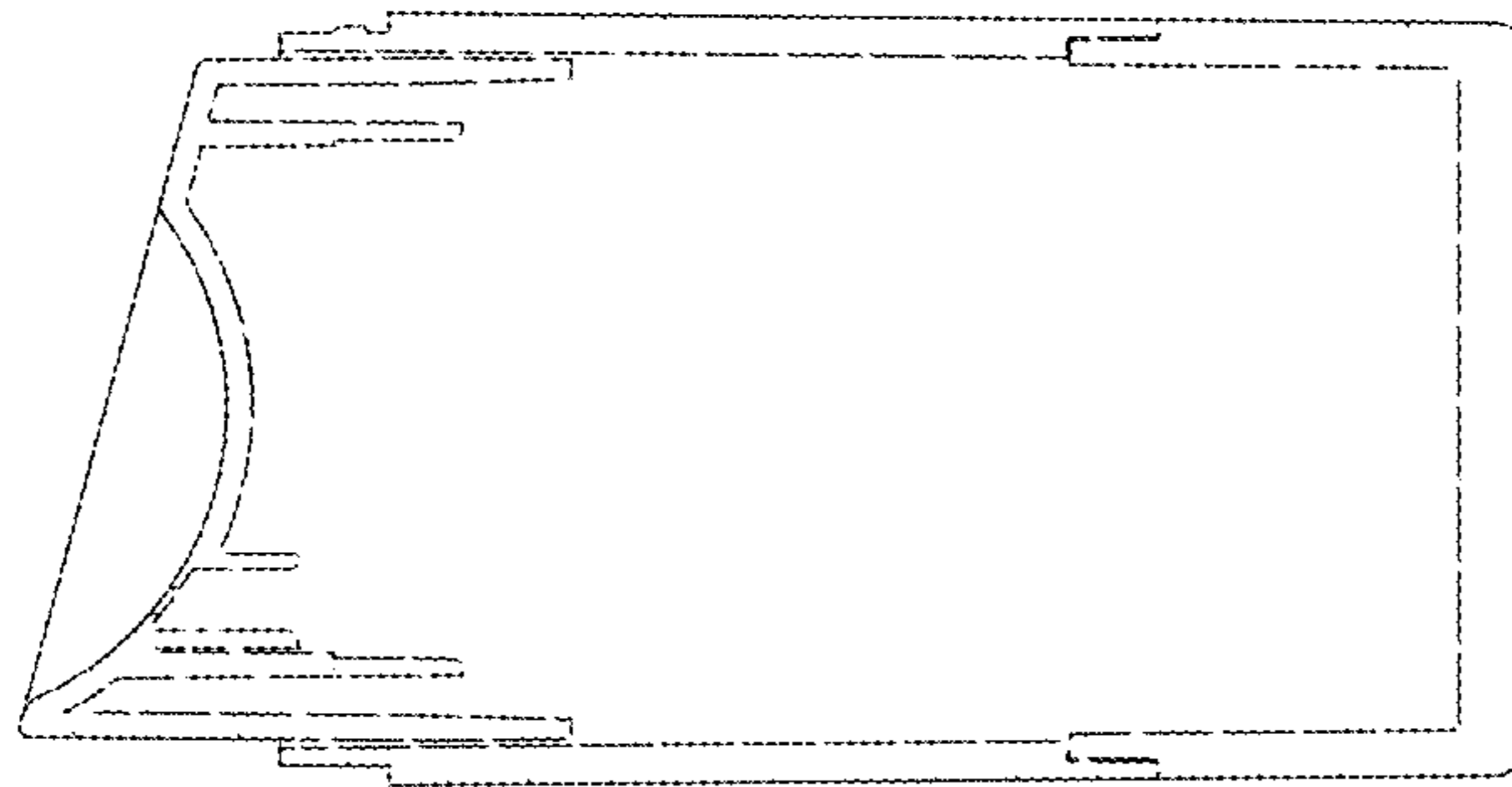


FIG. 8