



US00D786087S

(12) **United States Design Patent** (10) **Patent No.:** **US D786,087 S**
McCoy et al. (45) **Date of Patent:** **** May 9, 2017**

(54) **BOTTLE**

(71) Applicant: **CVS Pharmacy, Inc.**, Woonsocket, RI (US)

(72) Inventors: **Ryan P. McCoy**, Falcon Heights, MN (US); **Stacy Abel**, Maple Grove, MN (US); **Matthew P. Franks**, Austin, MN (US); **Adam D. Hoppus**, Minneapolis, MN (US); **Duane Sawyer**, York, PA (US); **Gordon Beecroft**, Leola, PA (US); **John Vassallo**, Lititz, PA (US); **Michael Makhlof**, Lititz, PA (US)

(73) Assignee: **CVS Pharmacy, Inc.**, Woonsocket, RI (US)

(**) Term: **15 Years**

(21) Appl. No.: **29/531,277**

(22) Filed: **Jun. 24, 2015**

Related U.S. Application Data

(63) Continuation of application No. 14/524,910, filed on Oct. 27, 2014, now Pat. No. 9,085,396, which is a continuation of application No. 13/281,338, filed on Oct. 25, 2011, now Pat. No. 8,870,004.

(51) **LOC (10) Cl.** **09-01**

(52) **U.S. Cl.**
USPC **D9/563; D9/520; D9/547; D9/575;**
D3/203.1

(58) **Field of Classification Search**

USPC D9/431, 432, 434, 435, 436, 453, 454,
D9/516, 560, 563, 567, 570, 572, 573,
D9/574, 715, 719, 575; D3/203.1, 203.2;
D7/591

CPC B65D 2501/0081; B65D 1/02; B65D 1/06;
B65D 1/08; B65D 1/10; B65D 77/065;
B65D 5/746; B65D 83/04

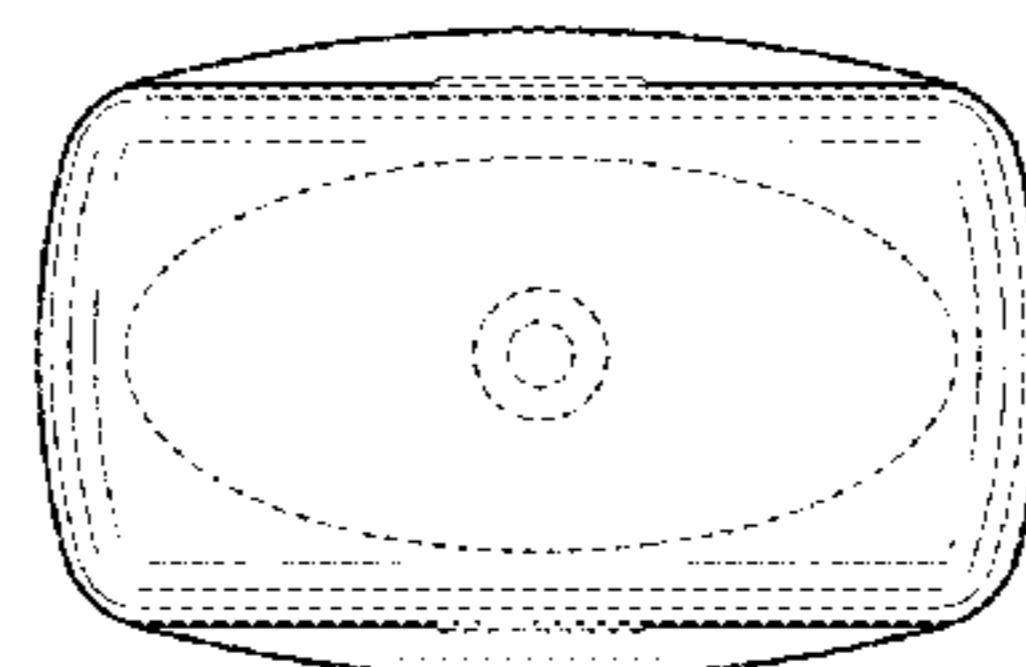
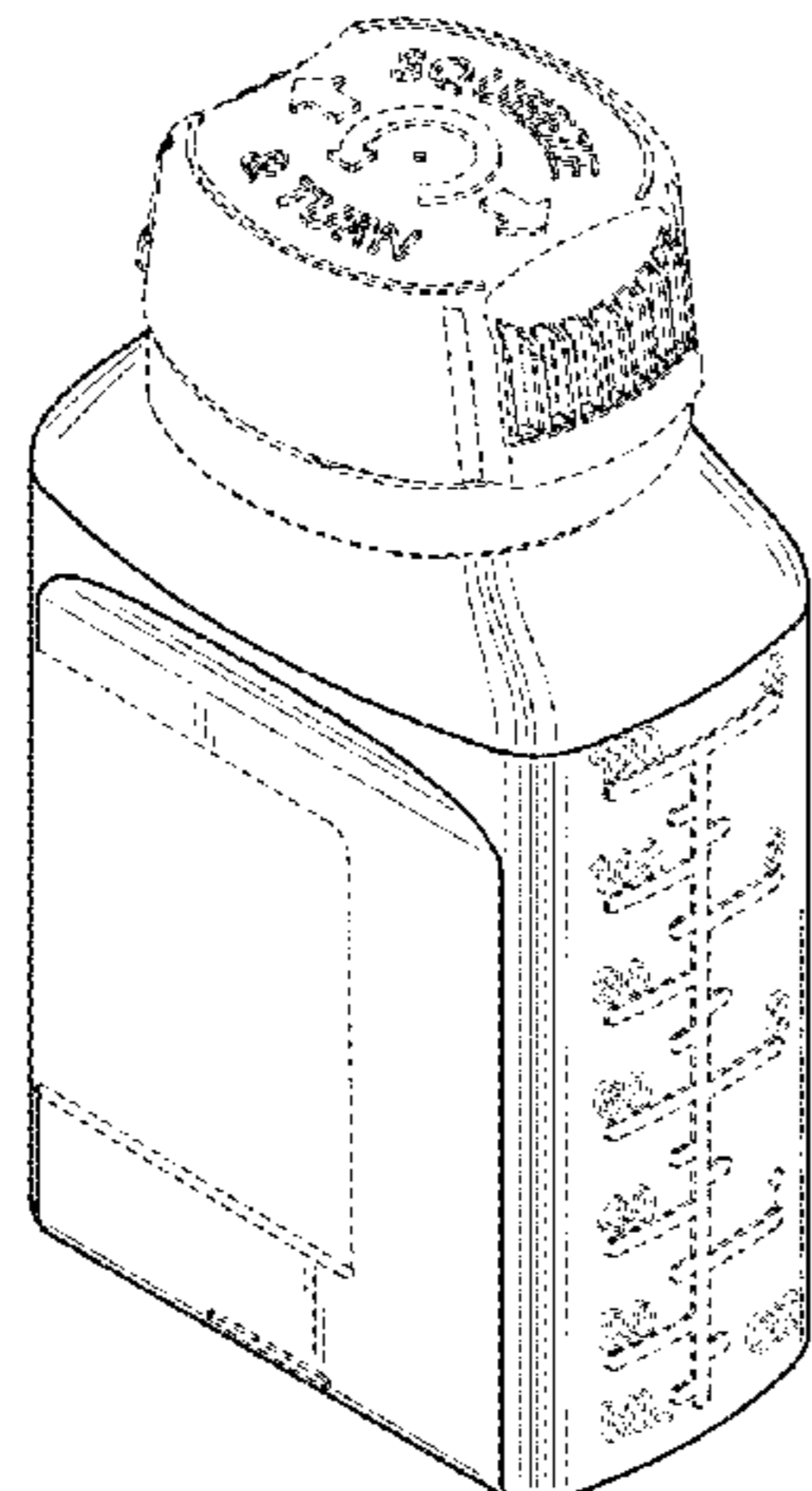
See application file for complete search history.

(56)

References Cited

U.S. PATENT DOCUMENTS

D11,149 S	4/1879	Hood	
D18,997 S	4/1889	Underhill	
406,017 A	6/1889	Woodward et al.	
493,851 A	3/1893	Adsit	
D28,746 S	5/1898	Blount	
605,213 A	6/1898	Weller	
D30,094 S	1/1899	Busch	
D30,338 S	3/1899	Mann	
624,701 A	5/1899	Stevenson	
716,793 A	12/1902	Vogeler	
D45,565 S	4/1914	Lloyd	
1,181,098 A	4/1916	Lambert	
1,289,218 A	12/1918	Maiden	
1,411,510 A	4/1922	Peterson	
1,499,612 A	7/1924	Hammer	
1,554,191 A	9/1925	Alexander	
1,653,608 A	12/1927	Allen	
1,686,354 A	10/1928	Wallace	
1,769,147 A	7/1930	Lennon	
1,815,268 A	7/1931	Newbery	
1,850,369 A	3/1932	Andrews	
1,991,871 A	2/1935	Sindler	
1,993,978 A	3/1935	Plochman	
2,007,685 A	7/1935	Lyle	
2,110,768 A	3/1938	Kellogg	
D128,282 S	3/1941	Gelinas et al.	
2,270,277 A	1/1942	Dowd	
D132,185 S	4/1942	McIntosh	
2,328,806 A	9/1943	Hooper	
2,528,259 A	10/1950	Annuziata	
2,659,614 A	11/1953	Cook et al.	
2,794,545 A	6/1957	Olson	
2,844,893 A	7/1958	Keller	
2,847,971 A	8/1958	Painter	
2,908,985 A	10/1959	Hartman	
2,920,777 A	1/1960	Cole	
2,961,108 A	11/1960	Johnson	
2,995,265 A	8/1961	Soderberg	
D199,766 S *	12/1964	Lorenzen D9/542	
3,256,978 A	6/1966	Srigley et al.	
3,298,671 A	1/1967	Popma et al.	
3,331,521 A	7/1967	Paige	
3,423,861 A	1/1969	Forsyth	
3,433,378 A	3/1969	Ross	
3,437,194 A	4/1969	Ames et al.	
3,464,576 A	9/1969	Rohde	
3,625,547 A	12/1971	Burke	
3,628,266 A	12/1971	Wise et al.	
3,757,994 A	9/1973	Skoetsch	



US D786,087 S

D230,137 S	1/1974	Bettonica		D333,882 S	3/1993	Yazaki
3,787,993 A	1/1974	Lyon		5,193,032 A	3/1993	Hirth
3,822,780 A	7/1974	Ulmer et al.		5,204,775 A	4/1993	McDevitt
3,826,222 A	7/1974	Romick		5,213,225 A	5/1993	King et al.
3,850,326 A	11/1974	Ryles		5,215,334 A	6/1993	Presson et al.
3,901,400 A	8/1975	Westfall		5,261,702 A	11/1993	Mayfield
3,923,180 A	12/1975	Fields		D342,452 S	12/1993	Monaghan
3,996,879 A	12/1976	Walton		D343,360 S	1/1994	Poo
4,022,352 A	5/1977	Pehr		5,284,363 A	2/1994	Gartner et al.
4,044,889 A	8/1977	Orentreich et al.		5,301,802 A	4/1994	Nemeroff
4,064,645 A	12/1977	Wood		5,301,840 A	4/1994	Sun
4,099,639 A	7/1978	Boxer et al.		5,309,279 A	5/1994	Halstead
RE29,793 E	10/1978	Pehr		D348,836 S	7/1994	McCallum et al.
4,143,786 A	3/1979	Goldberg et al.		5,342,093 A	8/1994	Weernink
4,150,760 A	4/1979	d'Orgelys		D350,691 S	9/1994	Simion
4,154,355 A	5/1979	Shackelford		5,343,647 A	9/1994	Bulka
D255,054 S	5/1980	Kingsford		5,346,069 A	9/1994	Intini
4,203,240 A	5/1980	Goodwin		D351,796 S	10/1994	Deddens
4,238,033 A	12/1980	Artzt		5,351,991 A	10/1994	McDonald
4,246,709 A	1/1981	Selleslags		5,379,927 A	1/1995	Montenieri et al.
4,263,734 A	4/1981	Bradshaw		D355,125 S	2/1995	Patel et al.
4,284,200 A	8/1981	Bush et al.		D355,126 S	2/1995	Paulovich et al.
4,285,489 A	8/1981	Blanchard		D355,363 S	2/1995	Iorii et al.
4,334,638 A	6/1982	Stock		5,386,795 A	2/1995	Bartholomew
D266,146 S	9/1982	Morris		5,403,636 A	4/1995	Crum
D269,315 S	6/1983	Conti		D360,134 S	7/1995	Snyder
D270,998 S	10/1983	Stark		5,448,844 A	9/1995	Miller, Jr. et al.
4,428,384 A	1/1984	Raitto		5,476,420 A	12/1995	Manning
D274,309 S	6/1984	Aldrich, III		5,495,944 A	3/1996	Lermer
4,482,068 A	11/1984	Agbay et al.		D370,636 S	6/1996	Crawford
4,535,903 A	8/1985	Franchi		5,555,655 A	9/1996	Yager et al.
D280,601 S	9/1985	Biesecker		5,588,239 A	12/1996	Anderson
D281,228 S	11/1985	Morgan et al.		5,601,314 A	2/1997	Burns et al.
4,567,991 A	2/1986	Anderson		5,632,420 A	5/1997	Lohrman et al.
D282,909 S	3/1986	Biesecker		5,642,906 A	7/1997	Foote et al.
4,606,481 A *	8/1986	Conti	A47J 47/02 222/562	5,660,138 A	8/1997	Hirsch
				5,662,224 A	9/1997	Nogues
D285,535 S	9/1986	Buchholz et al.		5,662,239 A	9/1997	Heuvelman
4,640,031 A	2/1987	Hoek et al.		5,687,863 A	11/1997	Kusz
D293,034 S	12/1987	duCret		5,697,173 A	12/1997	McCarrick et al.
4,732,411 A	3/1988	Siegel		5,699,922 A	12/1997	Harding
D295,024 S	4/1988	Trick		D389,064 S	1/1998	Sethi et al.
D295,954 S	5/1988	Kirchhoff		5,704,144 A	1/1998	Groth
4,753,358 A	6/1988	Virca et al.		5,704,648 A	1/1998	Brown et al.
4,799,712 A	1/1989	Biava et al.		5,711,442 A	1/1998	Kusz
4,802,438 A	2/1989	DeJonge		5,713,681 A	2/1998	Venne et al.
D300,119 S	3/1989	Pacquin		5,718,347 A	2/1998	Walker et al.
4,813,570 A	3/1989	Pontoppidan		5,719,828 A	2/1998	Haas et al.
4,819,351 A	4/1989	Boitani		5,729,922 A	3/1998	Peterson et al.
4,827,643 A	5/1989	Hearst et al.		5,730,292 A	3/1998	Jones
4,860,899 A	8/1989	McKee		5,758,440 A	6/1998	Yudin
4,863,026 A	9/1989	Perkowski		5,760,975 A	6/1998	DiGiovanni
4,868,027 A	9/1989	Hunkeler et al.		D395,828 S	7/1998	Lecoule
4,881,648 A	11/1989	Hagerty		5,779,072 A	7/1998	Krebs
4,883,180 A	11/1989	Humphrey et al.		5,788,974 A	8/1998	D'Amico et al.
D305,505 S	1/1990	Kunesh		5,799,815 A	9/1998	Lang
4,890,742 A	1/1990	Allison		5,800,144 A	9/1998	Glenn et al.
4,913,083 A	4/1990	Valvo et al.		5,819,967 A	10/1998	Lo
4,918,604 A	4/1990	Baum		5,829,789 A	11/1998	Treleaven et al.
4,919,285 A	4/1990	Roof et al.		5,836,465 A	11/1998	King
4,941,573 A	7/1990	Fuerstman		D402,550 S	12/1998	Poisson
D311,681 S *	10/1990	Aggarwal	D9/547	5,887,736 A	3/1999	Mar
4,972,657 A	11/1990	McKee		5,918,758 A	7/1999	Galton-Fenzi
D312,776 S	12/1990	Taconelli		D413,067 S	8/1999	Haley
4,991,877 A	2/1991	Lieberman		5,980,352 A	11/1999	Rigberg
5,011,032 A	4/1991	Rollman		6,003,902 A	12/1999	Petkovsek
5,020,682 A	6/1991	Dutt		D419,077 S	1/2000	Sultan
D319,181 S	8/1991	Balavich		6,016,930 A	1/2000	Mathes et al.
5,048,870 A	9/1991	Mangini et al.		6,023,865 A	2/2000	Preuss
D323,780 S	2/1992	Addante		D423,361 S	4/2000	Negre
D324,994 S	3/1992	Jentgen		D425,427 S	5/2000	Heeter
5,102,169 A	4/1992	Mayfield		6,068,300 A	5/2000	Vijuk et al.
D328,010 S *	7/1992	Daenen	D32/29.1	D427,073 S	6/2000	Gaffney et al.
D328,246 S	7/1992	Nottingham et al.		6,081,392 A	6/2000	Pensmith
5,145,080 A	9/1992	Imbery, Jr.		6,086,702 A	7/2000	Rea
5,165,546 A	11/1992	Jaeger et al.		6,089,180 A	7/2000	Nichols, Jr.
5,172,936 A	12/1992	Sullivan et al.		6,105,801 A	8/2000	Minnette
5,178,311 A	1/1993	McBride		D430,802 S	9/2000	Adachi et al.
D333,618 S	3/1993	Patel et al.		6,127,013 A	10/2000	Todd

US D786,087 S

6,158,779	A	12/2000	Petrick	D566,330	S	4/2008	Angeletta	
6,196,593	B1	3/2001	Petrick et al.	D572,593	S	7/2008	Adler et al.	
6,209,921	B1	4/2001	Hogan et al.	D574,717	S *	8/2008	Adler	D9/563
6,220,439	B1	4/2001	Virvo	7,413,082	B2	8/2008	Adler et al.	
6,226,564	B1	5/2001	Stuart	D581,275	S	11/2008	Adler	
6,241,844	B1	6/2001	Petkovsek	D583,242	S	12/2008	Adler et al.	
D445,338	S	7/2001	Helleu	D590,721	S	4/2009	Martinez De San Vicente	
6,253,958	B1	7/2001	Coletti	D594,336	S	6/2009	Adler	
6,270,121	B1	8/2001	Dolan et al.	D597,841	S	8/2009	Adler et al.	
6,276,725	B1	8/2001	Laurash et al.	D601,017	S	9/2009	Hungerford	
6,278,545	B1	8/2001	Napier	D602,785	S *	10/2009	Rothberg	D9/547
D447,694	S	9/2001	Leggett	7,621,413	B2	11/2009	Miota et al.	
D451,809	S	12/2001	Jones	7,628,427	B2	12/2009	Adler et al.	
6,360,462	B1	3/2002	Mengel	D607,326	S	1/2010	Branson et al.	
D456,271	S	4/2002	Maloney	7,661,384	B2	2/2010	Mataya	
6,366,401	B1	4/2002	Gonda et al.	7,661,533	B2	2/2010	Adler et al.	
6,367,639	B1	4/2002	Mar	D616,303	S	5/2010	Gonzalez	
6,367,640	B1	4/2002	Julian	D620,356	S	7/2010	Greenfield	
6,379,007	B1	4/2002	Farb	D623,056	S	9/2010	Sessa	
D457,063	S	5/2002	Bakic	D623,061	S	9/2010	Wong	
6,386,367	B1	5/2002	Bayliss, IV	D623,518	S	9/2010	Camomile	
D459,212	S	6/2002	Gobe	7,942,451	B2	5/2011	Adler	
6,402,872	B1	6/2002	Key	7,980,391	B2	7/2011	Adler et al.	
6,491,164	B1	12/2002	Virvo	8,025,314	B2	9/2011	Adler	
D470,051	S	2/2003	Bloom et al.	8,051,999	B2	11/2011	Carmody et al.	
D470,415	S	2/2003	Weber	8,104,618	B2 *	1/2012	Sadler	B65D 5/4216 206/45.29
6,549,345	B1	4/2003	Cardarelli					
D474,690	S	5/2003	Bakic	8,210,351	B2	7/2012	Miceli et al.	
6,568,530	B2	5/2003	Takahashi et al.	8,240,491	B2	8/2012	Beecroft et al.	
6,594,928	B1	7/2003	Clawson et al.	8,281,929	B2	10/2012	Franks et al.	
D480,002	S	9/2003	Canepa	D673,852	S	1/2013	Wood et al.	
D480,005	S	9/2003	Conway	D675,097	S	1/2013	Burke, Jr.	
6,621,629	B2	9/2003	Blumenthal et al.	8,371,463	B2	2/2013	Beecroft	
D480,960	S	10/2003	Gray et al.	D679,994	S	4/2013	Dahl	
D481,165	S	10/2003	Angeletta	D681,465	S	5/2013	Cox et al.	
6,669,804	B2	12/2003	Pendry et al.	8,534,220	B1	9/2013	Olson	
D485,764	S	1/2004	Bakic	D691,473	S	10/2013	Smith et al.	
6,681,945	B1	1/2004	Harrold	D700,843	S *	3/2014	Shaw	D9/500
6,698,605	B2	3/2004	Clodfelter et al.	8,752,705	B2	6/2014	Adler et al.	
6,712,398	B1	3/2004	Fox et al.	D714,146	S	9/2014	King	
6,722,495	B2	4/2004	Fresnel	D723,919	S	3/2015	Taber et al.	
D489,622	S	5/2004	Weber	D731,170	S *	6/2015	Priebe	D3/203.2
6,745,505	B2	6/2004	Moran	D752,975	S	4/2016	Gatto	
6,752,272	B2	6/2004	Jones et al.	D755,045	S	5/2016	Kuo	
6,789,497	B1	9/2004	Aiken	D755,056	S *	5/2016	Terrasi	D9/538
D497,311	S	10/2004	Walsh et al.	2001/0017817	A1	8/2001	De La Huerga	
6,854,613	B2	2/2005	Biesecker et al.	2002/0020088	A1	2/2002	Kreutner	
6,860,390	B2	3/2005	Bowman	2002/0041091	A1	4/2002	Eippert	
6,860,513	B2	3/2005	Kaufman	2002/0063739	A1	5/2002	Gosden et al.	
6,868,627	B2	3/2005	Elias	2002/0088732	A1	7/2002	Takahashi et al.	
6,871,752	B2	3/2005	Montgomery	2002/0126585	A1	9/2002	Osberg et al.	
6,923,376	B2	8/2005	Gosden et al.	2002/0129758	A1	9/2002	Hanley et al.	
6,951,353	B2	10/2005	Kozlowski et al.	2002/0162261	A1	11/2002	West et al.	
D511,456	S	11/2005	Forte	2002/0171238	A1	11/2002	Kozlowski et al.	
6,964,345	B2	11/2005	Wetherell, Jr. et al.	2003/0025320	A1	2/2003	Shoemaker	
D514,942	S *	2/2006	Weber	2003/0028392	A1	2/2003	Davies	D9/529
D520,365	S	5/2006	Andoh	2003/0091687	A1	5/2003	Copelan	
D522,867	S	6/2006	Bakic	2003/0127351	A1	7/2003	Takahashi et al.	
7,061,831	B2	6/2006	De La Huerga	2003/0147450	A1	8/2003	Witonsky et al.	
D526,569	S	8/2006	Wurster et al.	2003/0192211	A1	10/2003	Elias	
7,128,227	B2	10/2006	Skillin et al.	2003/0193181	A1	10/2003	Hung	
D532,697	S *	11/2006	Francis	2003/0193185	A1	10/2003	Valley et al.	D9/520
D537,349	S	2/2007	Ball et al.	2003/0205897	A1	11/2003	Kaufman	
D539,651	S	4/2007	Snyder	2003/0214129	A1	11/2003	Adler	
D540,179	S	4/2007	Adler et al.	2004/0045863	A1	3/2004	Rhoades	
D540,690	S	4/2007	Adler et al.	2004/0050750	A1	3/2004	Hannan et al.	
D541,159	S	4/2007	Robinson	2004/0056479	A1	3/2004	Fox et al.	
D542,661	S	5/2007	Adler et al.	2004/0075272	A1	4/2004	Kaufman	
7,222,736	B1 *	5/2007	Seijas	2004/0169000	A1	9/2004	Ramsey	A61J 7/04 116/308
				2004/0193454	A1	9/2004	Foote et al.	
7,225,052	B2	5/2007	Foote et al.	2004/0232023	A1	11/2004	Bansal et al.	
7,225,937	B2	6/2007	Schroeder	2004/0237311	A1	12/2004	Brown et al.	
D550,571	S	9/2007	Diaz	2005/0029154	A1	2/2005	Kahn et al.	
D554,999	S	11/2007	Nukuto et al.	2005/0121406	A1	6/2005	Brozell et al.	
D555,498	S	11/2007	Bansal	2005/0150857	A1	7/2005	Brozell et al.	
7,311,205	B2	12/2007	Adler et al.	2005/0205513	A1	9/2005	Hidding	
D559,117	S	1/2008	Nukuto et al.	2006/0163103	A1	7/2006	Adler et al.	
7,320,483	B2	1/2008	Eippert	2006/0163110	A1	7/2006	Adler et al.	
D561,034	S	2/2008	Francis	2006/0163869	A1	7/2006	Adler et al.	

2006/0213860	A1	9/2006	Robinson
2006/0273063	A1	12/2006	Borger
2007/0029788	A1	2/2007	Adler et al.
2007/0102316	A1	5/2007	Van Der Krogt et al.
2008/0017602	A1	1/2008	Adler et al.
2009/0026104	A1	1/2009	Cassidy
2009/0050514	A1	2/2009	Devaux-Day
2009/0090688	A1	4/2009	Fruchter
2009/0127157	A1	5/2009	Costa et al.
2009/0140513	A1	6/2009	Priebe et al.
2009/0283492	A1	11/2009	Molinaro et al.
2009/0301985	A1	12/2009	Priebe et al.
2010/0038279	A1	2/2010	Estep
2010/0051572	A1	3/2010	Beecroft et al.
2010/0147732	A1	6/2010	Delagrange et al.
2010/0313527	A1	12/2010	Jajoo et al.
2010/0314351	A1	12/2010	Hoefling
2011/0006030	A1	1/2011	Branson et al.
2011/0155624	A1	6/2011	Caron et al.
2012/0017790	A1	1/2012	Adler
2013/0097973	A1	4/2013	McCoy et al.
2015/0014269	A1	1/2015	Gillman
2015/0122767	A1	5/2015	Mettu et al.
2015/0129531	A1	5/2015	Gatton et al.

FOREIGN PATENT DOCUMENTS

DE	3723671	8/1988
EP	0146095 B1	6/1985
EP	0316636 A2	5/1989
EP	0609955 B1	4/1998
EP	0609954 B1	7/1998
EP	0924676 A2	6/1999
FR	2296391 A1	7/1976
GB	2006713 A	5/1979
GB	2126565 A	3/1984
JP	10297640	11/1998
WO	00/28474	5/2000
WO	00/64676	11/2000
WO	01/45028 A1	6/2001
WO	03098275 A2	11/2003
WO	2004048216 A1	6/2004

OTHER PUBLICATIONS

Photographs of Advil® Bottle and CR Cap, available at least one year prior to Oct. 25, 2011 (1 page).

Office Action from Canadian Patent Application No. 2,769,779, mailed Sep. 29, 2012 (3 pages).

Office Action from Canadian Patent Application No. 2,809,252, mailed Jul. 8, 2013 (2 pages).

Office Action from Canadian Patent Application No. 2,76,779, mailed May 25, 2012 (2 pages).

Office Action from Canadian Patent Application No. 2,809,252, mailed Apr. 1, 2014 (2 pages).

"Multi-Dose, Multi-Color, I.V. Bag Rings," www.medidose.com/catalog/ivpharm/bagrings.html, publicly advertised online at least as early as Apr. 27, 2002 based on the internet archive available at www.archive.org (1 page).

Aliexpress, Pharmaceutical Caps. 2010 [earliest online date], [site visited Sep. 29, 2016]. Available from Internet, <URL: <https://www.aliexpress.com/item/20mm-flip-off-cap-200pcs-lot-All-Kinds-Of-Colored-Flip-Off-Caps-pharmaceutical-capsflip/32728538288.html?spm=2114.40010508.4.29.Ncbos6>>, 8 pgs.

* cited by examiner

Primary Examiner — Ian Simmons

Assistant Examiner — Keith Frank

(74) *Attorney, Agent, or Firm* — Patent Law Works LLP

(57) CLAIM

The ornamental design for a bottle, as shown and described.

DESCRIPTION

FIG. 1 is a top, front, perspective view of a bottle showing a first embodiment of our new design;

FIG. 2 is a bottom, rear, perspective view thereof;

FIG. 3 is a front view thereof;

FIG. 4 is a rear view thereof;

FIG. 5 is a right side view thereof;

FIG. 6 is a left side view thereof;

FIG. 7 is a top view thereof; and

FIG. 8 is a bottom view thereof.

FIG. 9 is a top, front, perspective view of a bottle showing a second embodiment of our new design;

FIG. 10 is a bottom, rear, perspective view thereof;

FIG. 11 is a front view thereof;

FIG. 12 is a rear view thereof;

FIG. 13 is a right side view thereof;

FIG. 14 is a left side view thereof;

FIG. 15 is a top view thereof; and

FIG. 16 is a bottom view thereof.

FIG. 17 is a top, front, perspective view of a bottle showing a third embodiment of our new design;

FIG. 18 is a bottom, rear, perspective view thereof;

FIG. 19 is a front view thereof;

FIG. 20 is a rear view thereof;

FIG. 21 is a right side view thereof;

FIG. 22 is a left side view thereof;

FIG. 23 is a top view thereof; and,

FIG. 24 is a bottom view thereof.

The evenly spaced dash-dash broken lines in the drawings illustrate the portions of the bottle that form no part of the claimed design.

1 Claim, 12 Drawing Sheets

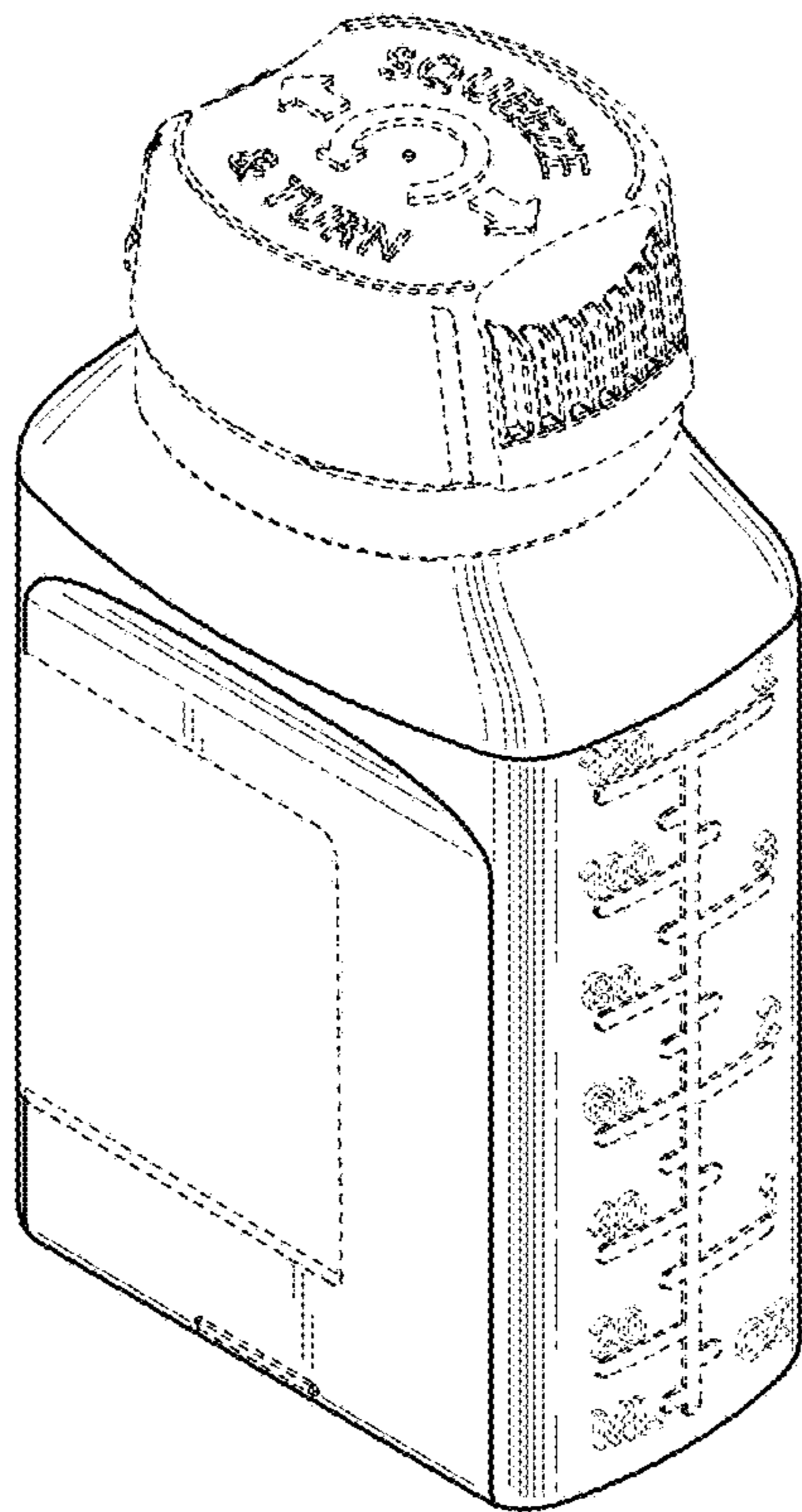


Fig. 1

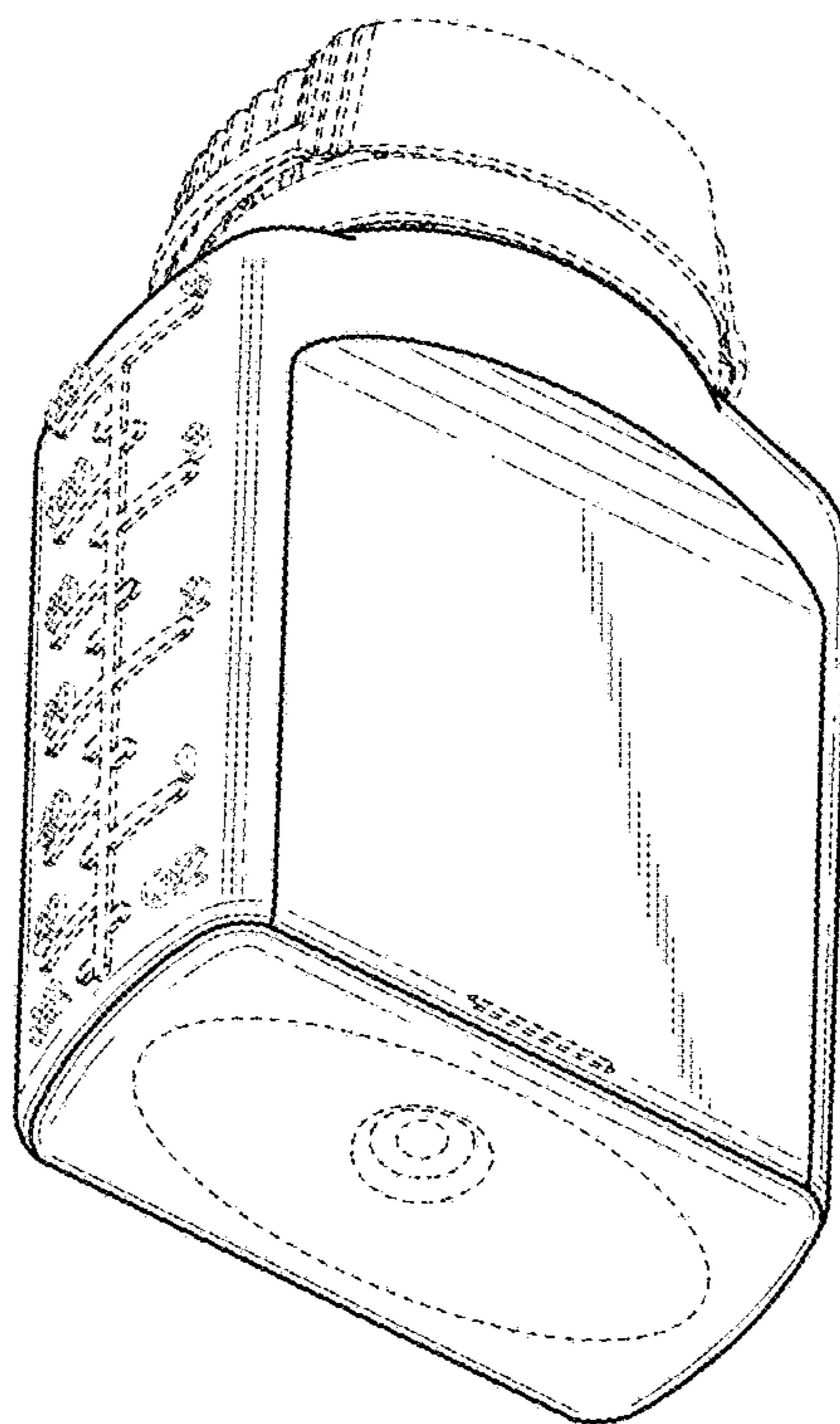


Fig. 2

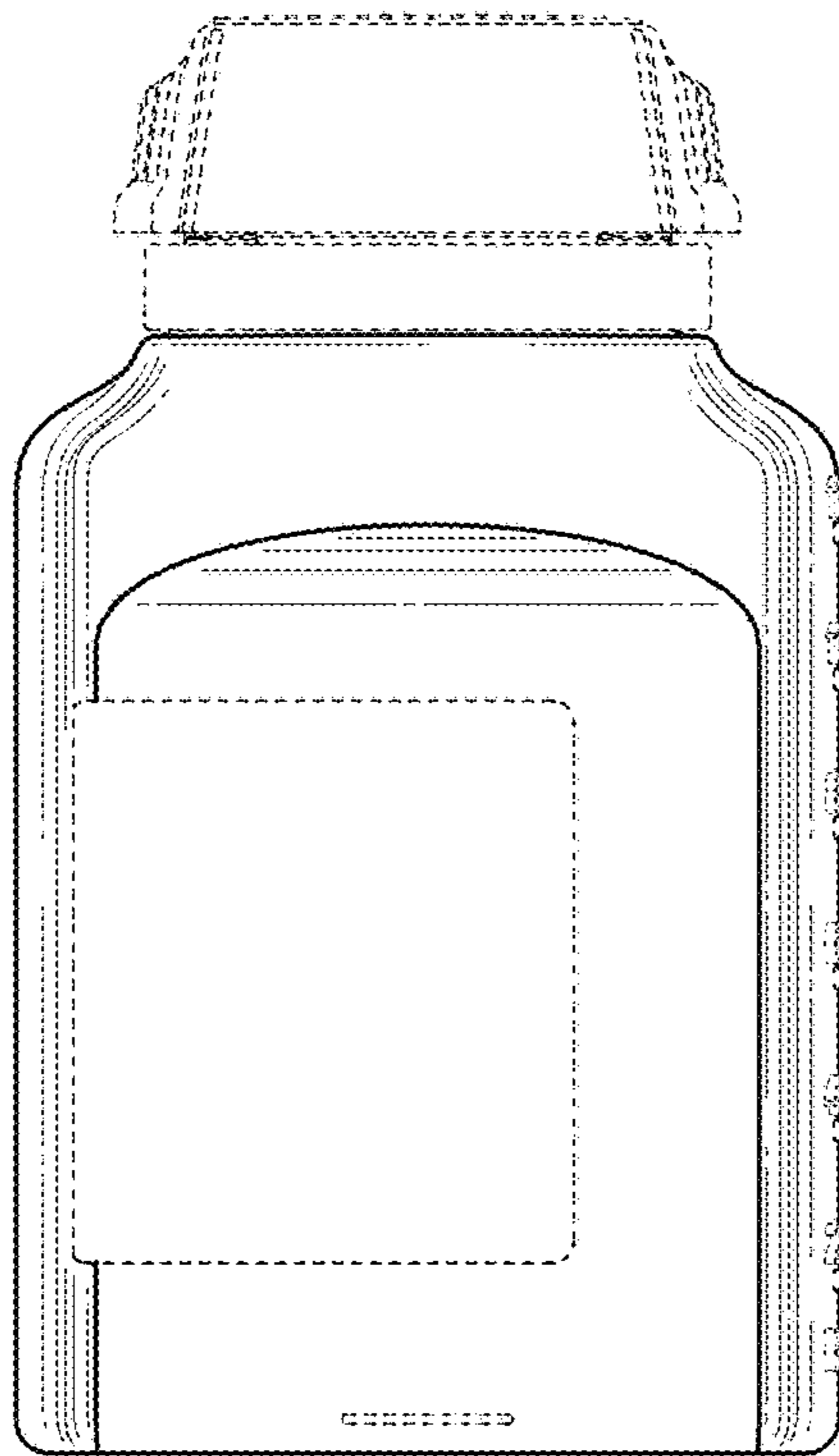


Fig. 3

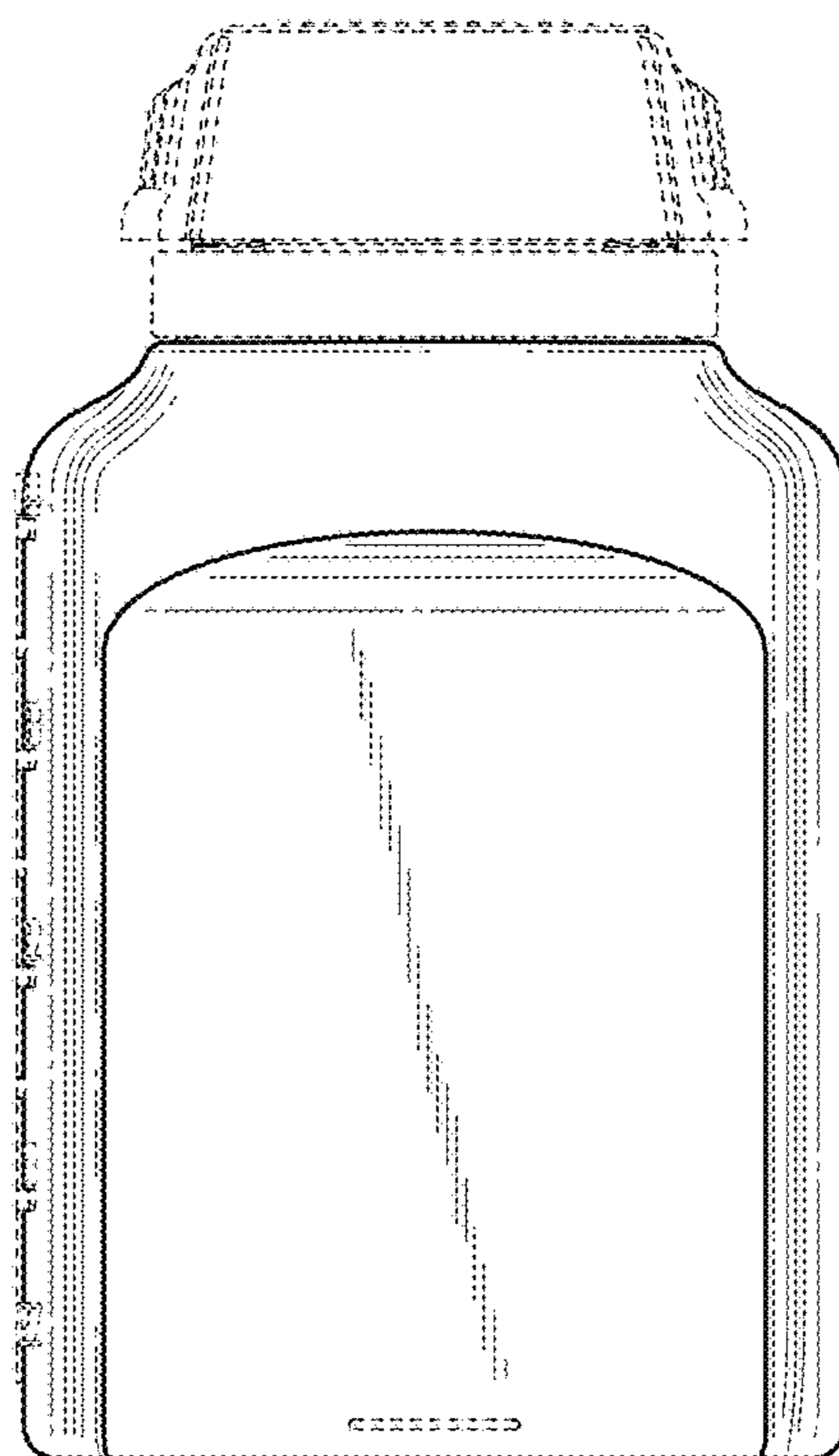


Fig. 4

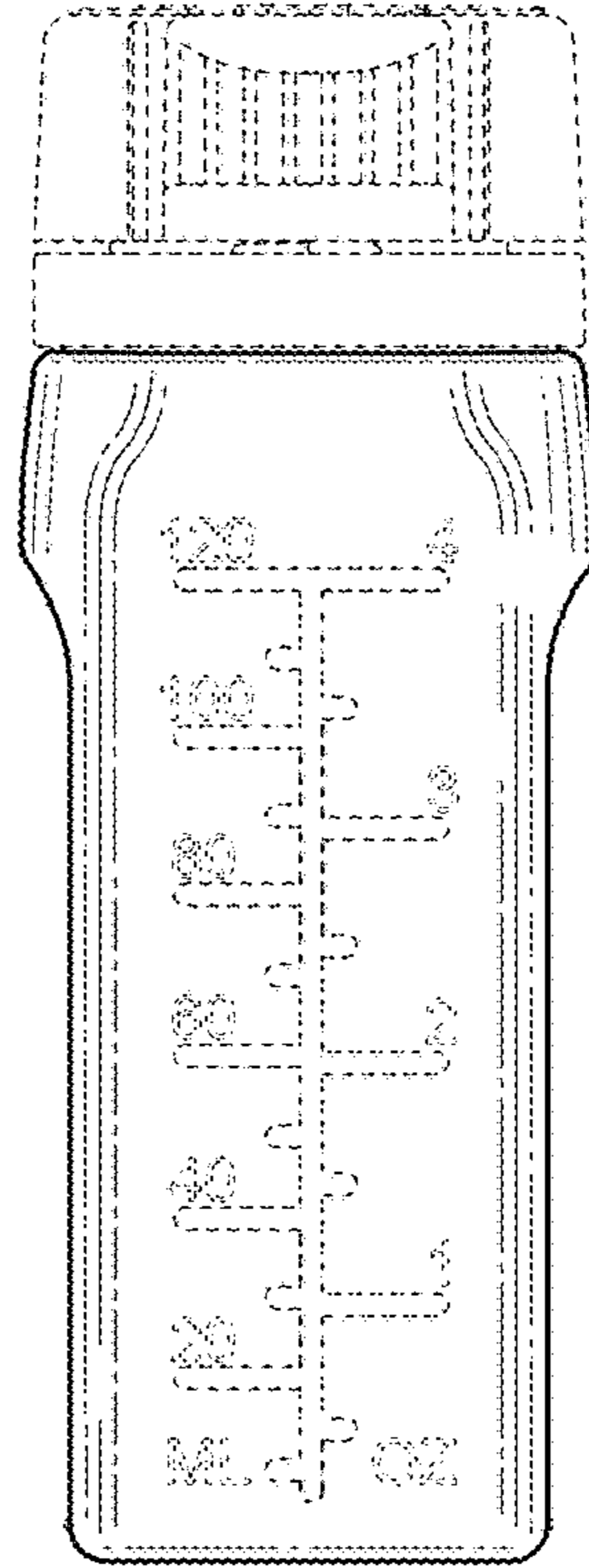


Fig. 5

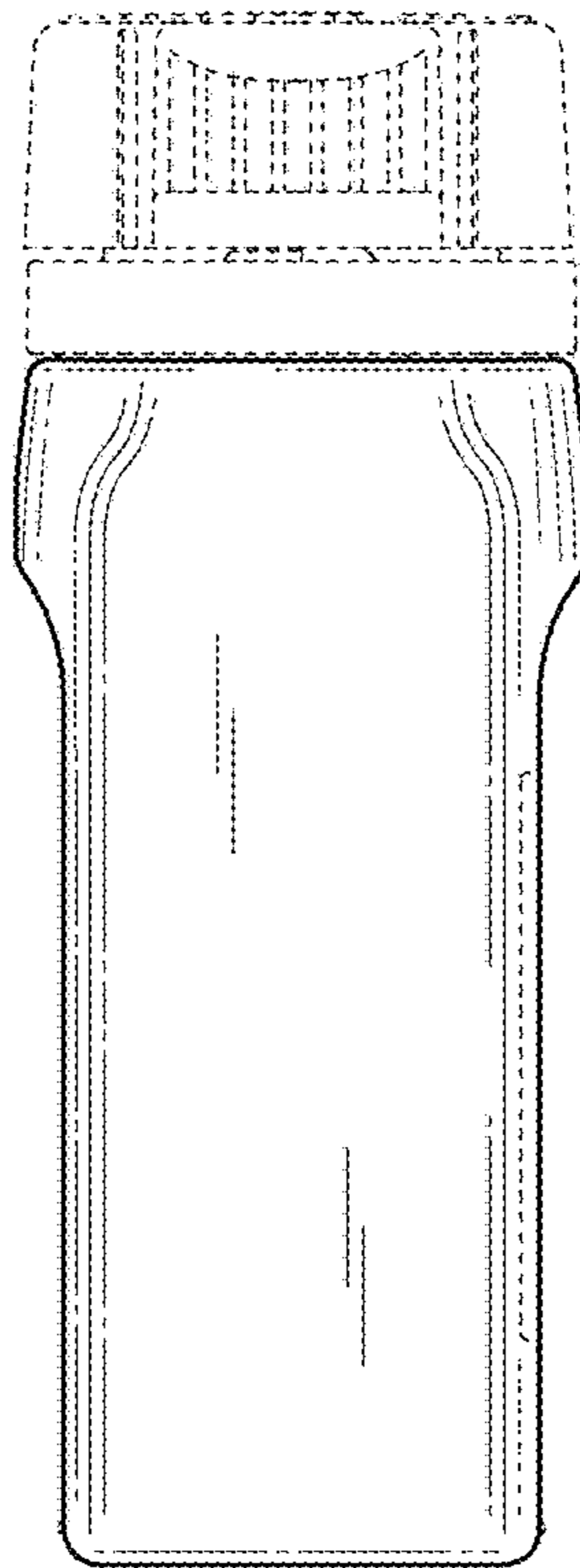


Fig. 6

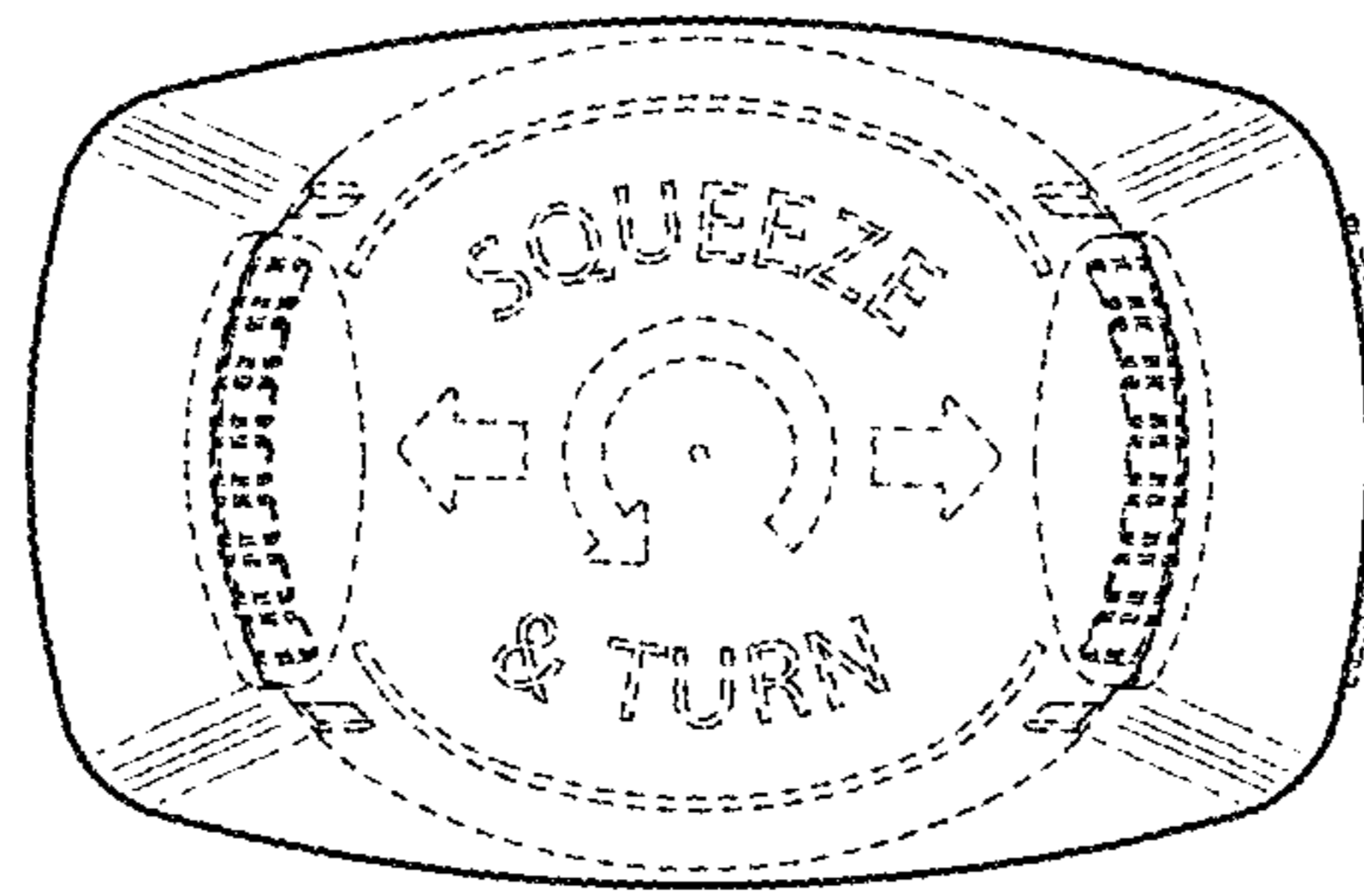


Fig. 7

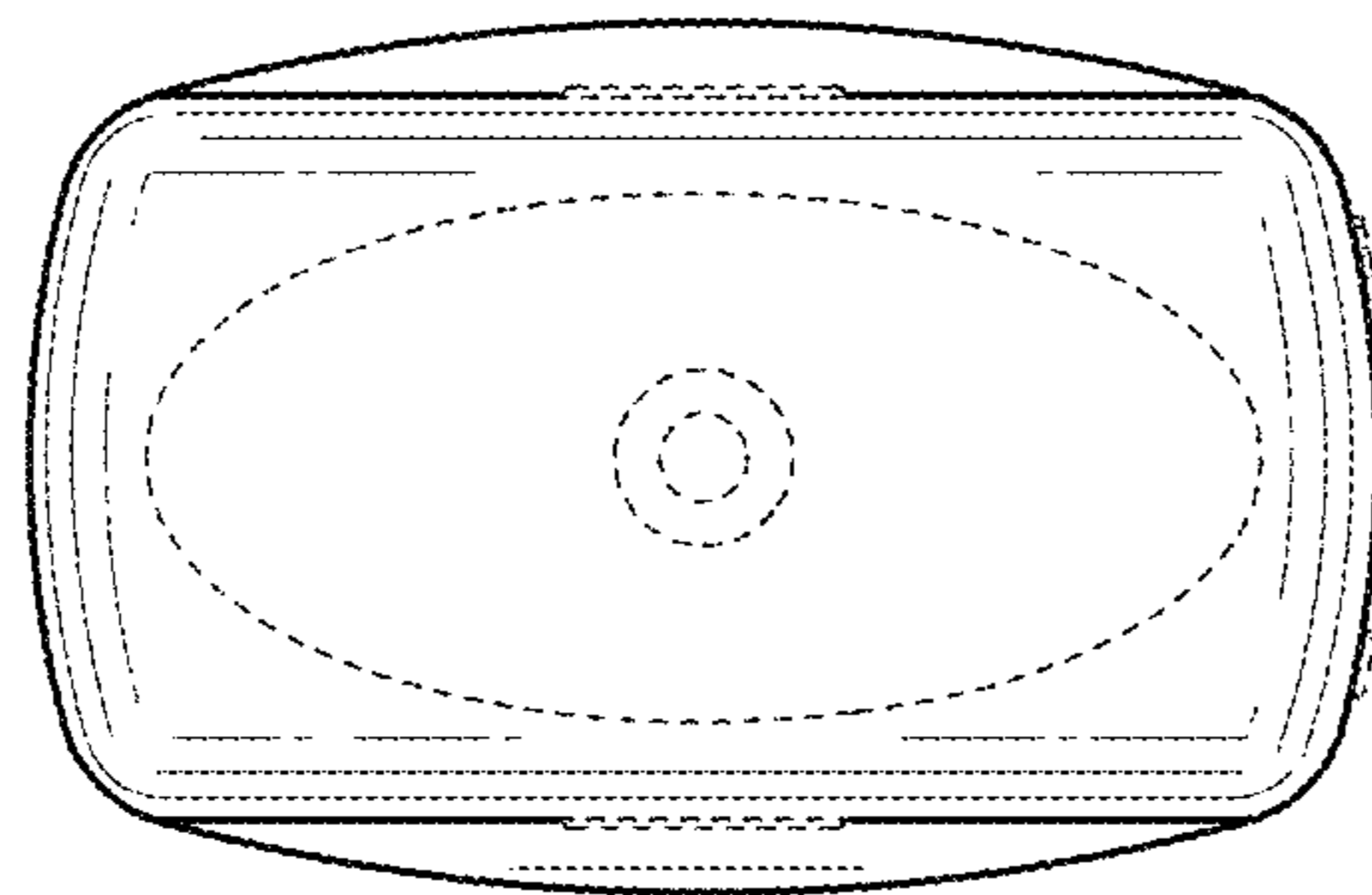


Fig. 8

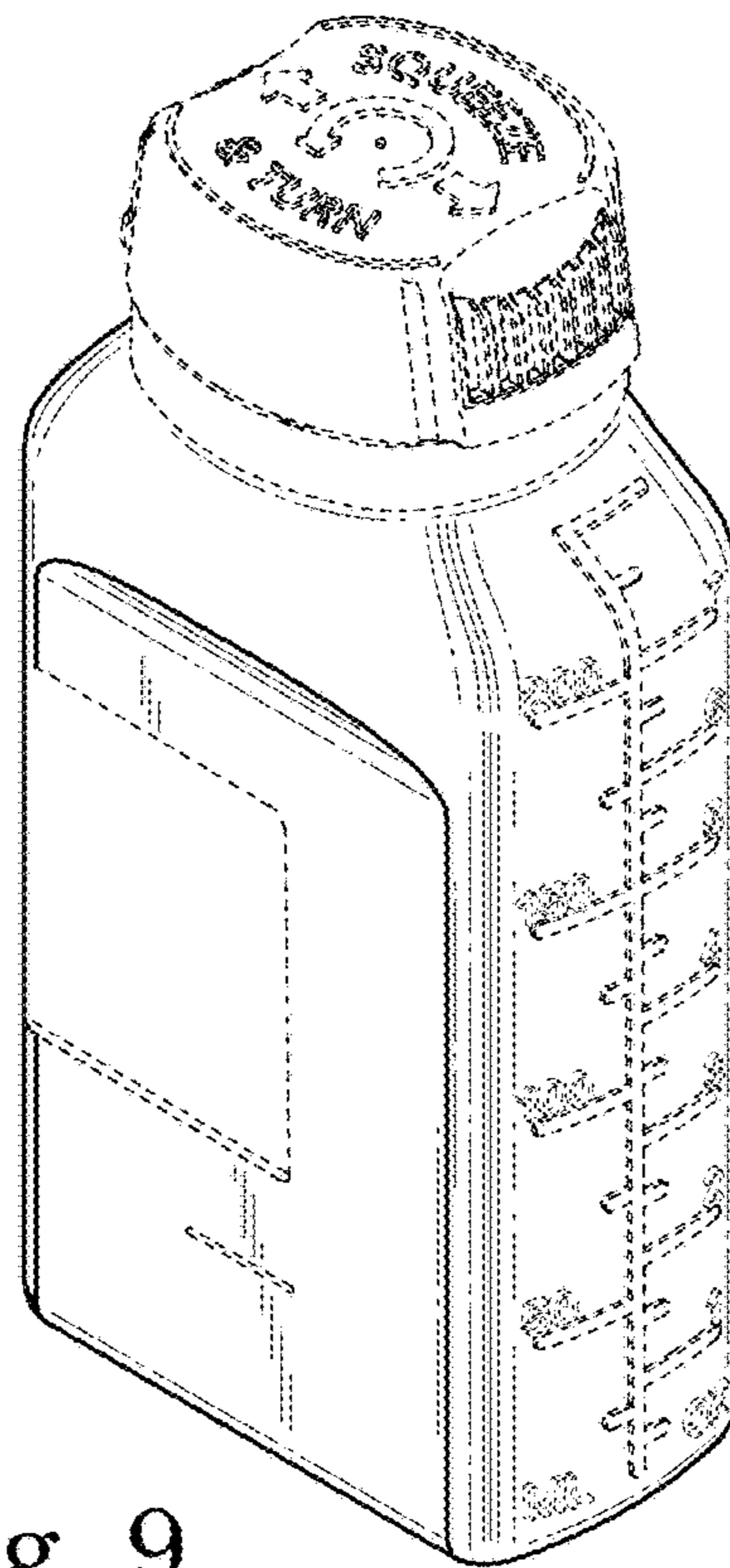


Fig. 9

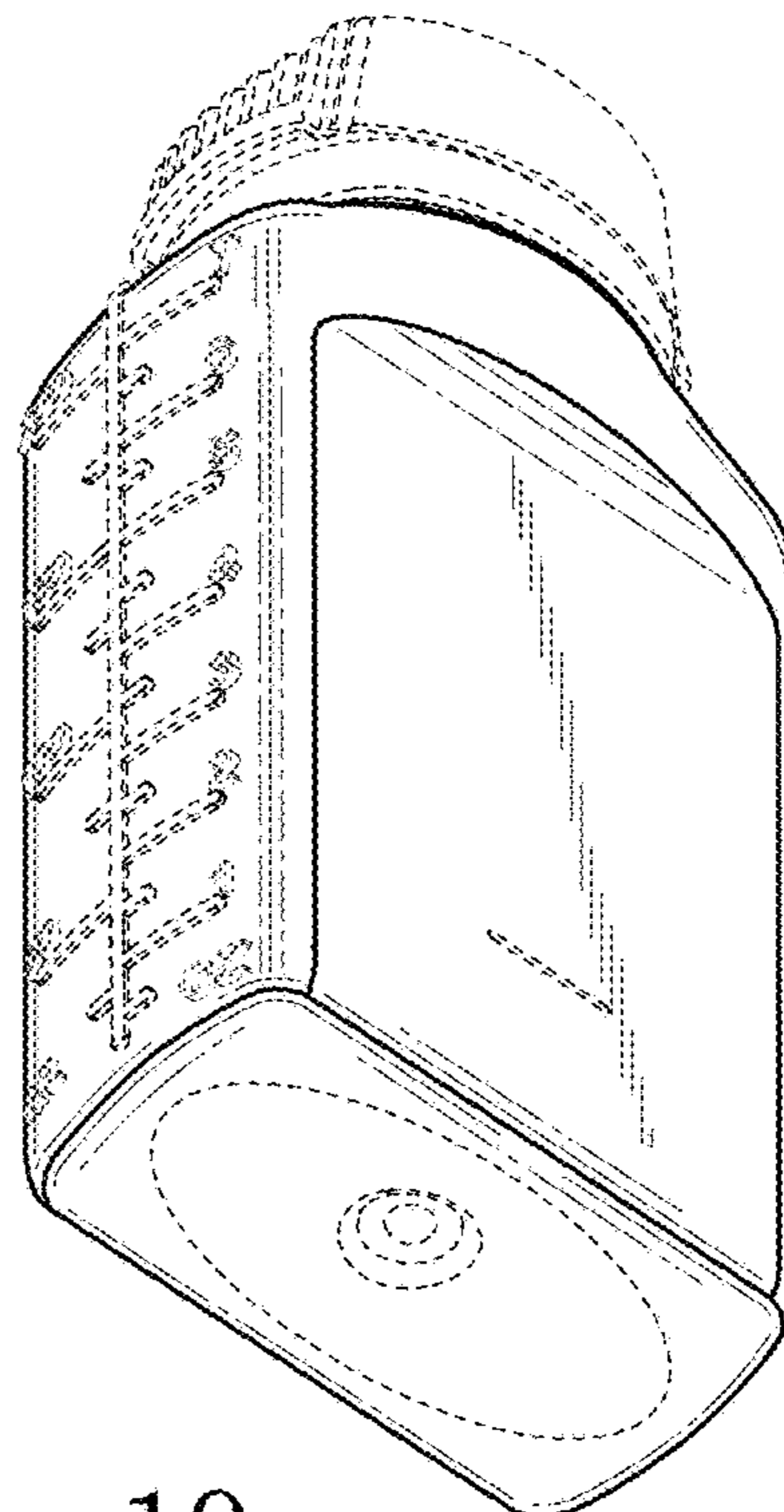


Fig. 10

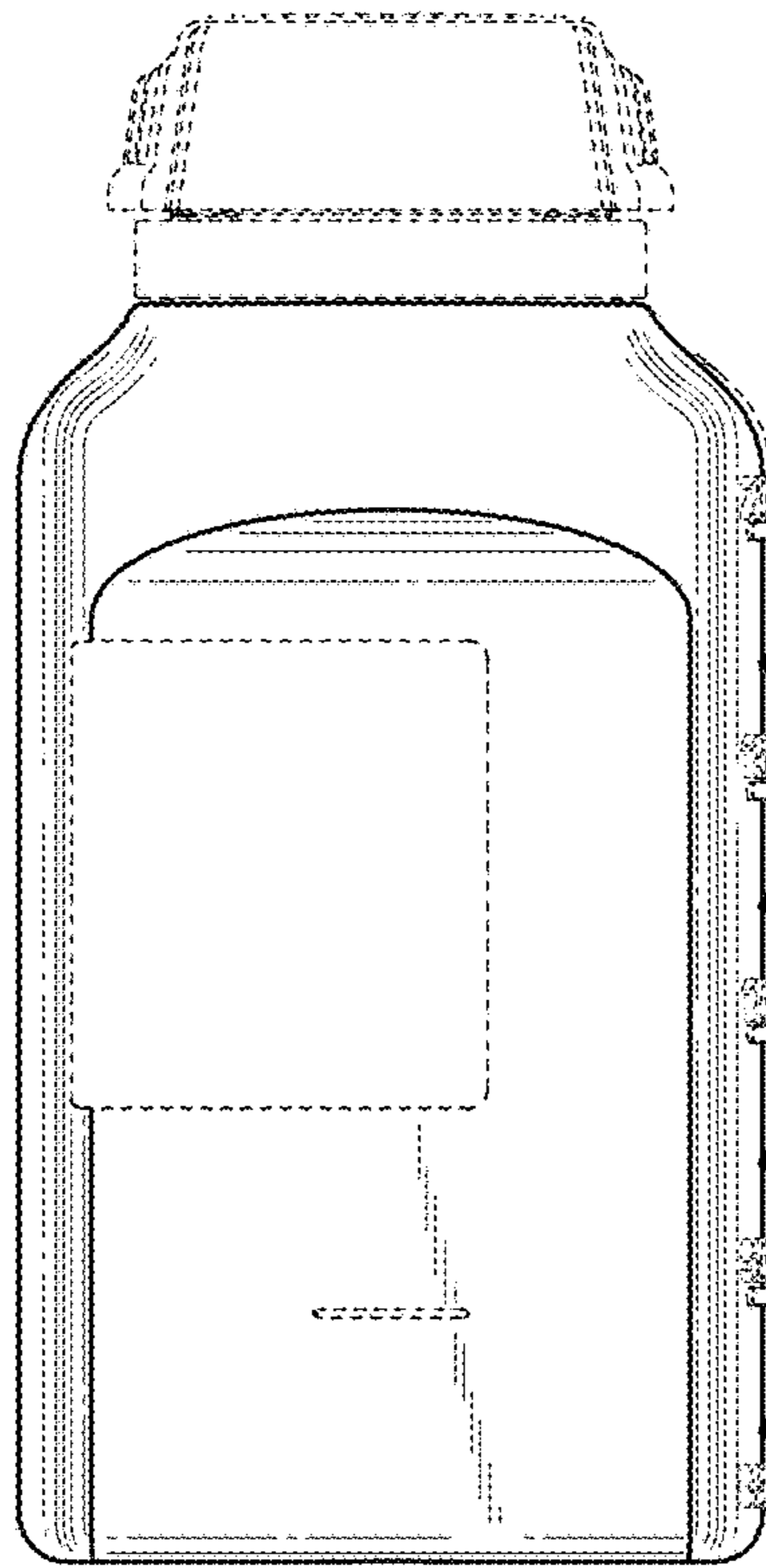


Fig. 11

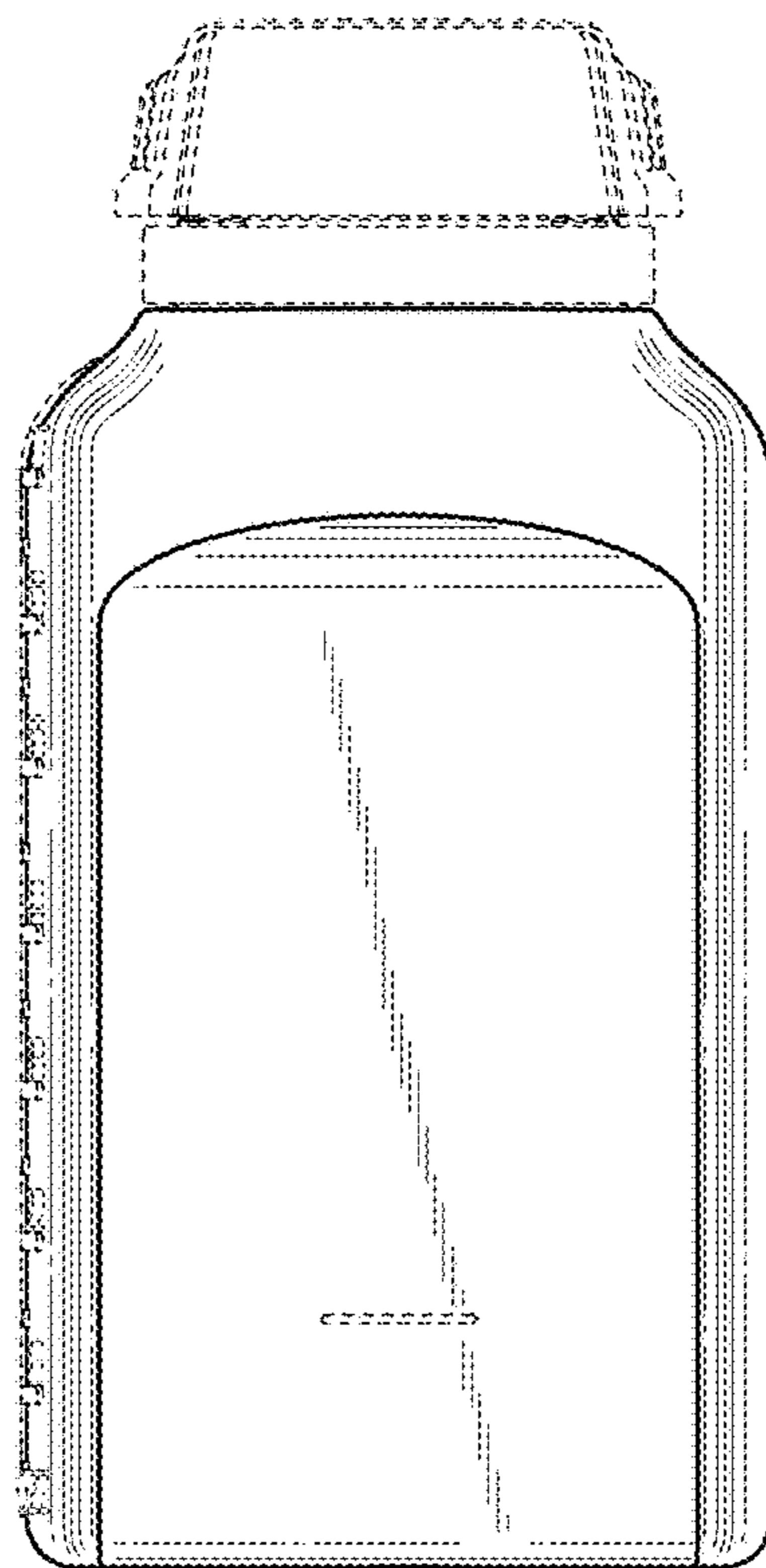


Fig. 12

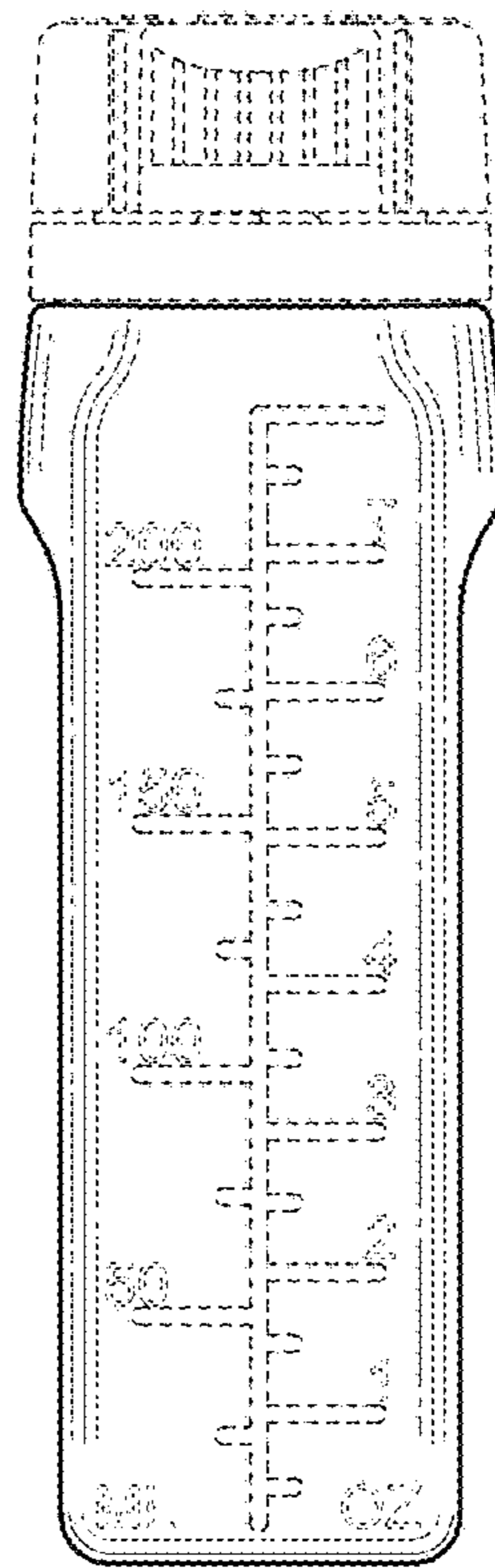


Fig. 13

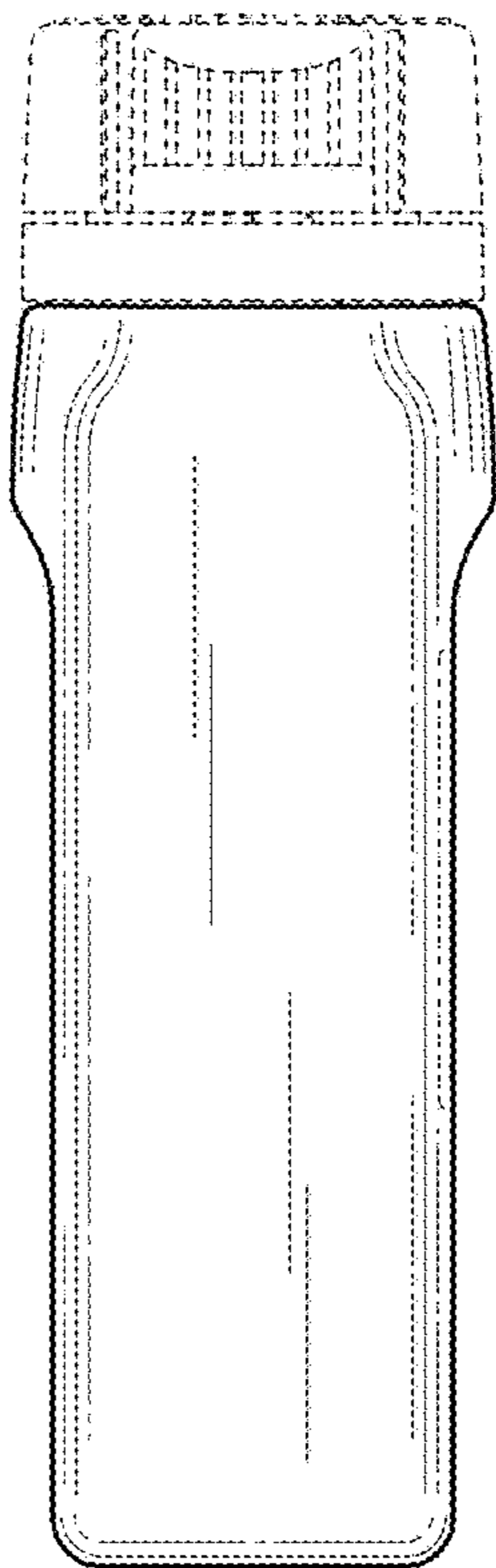


Fig. 14

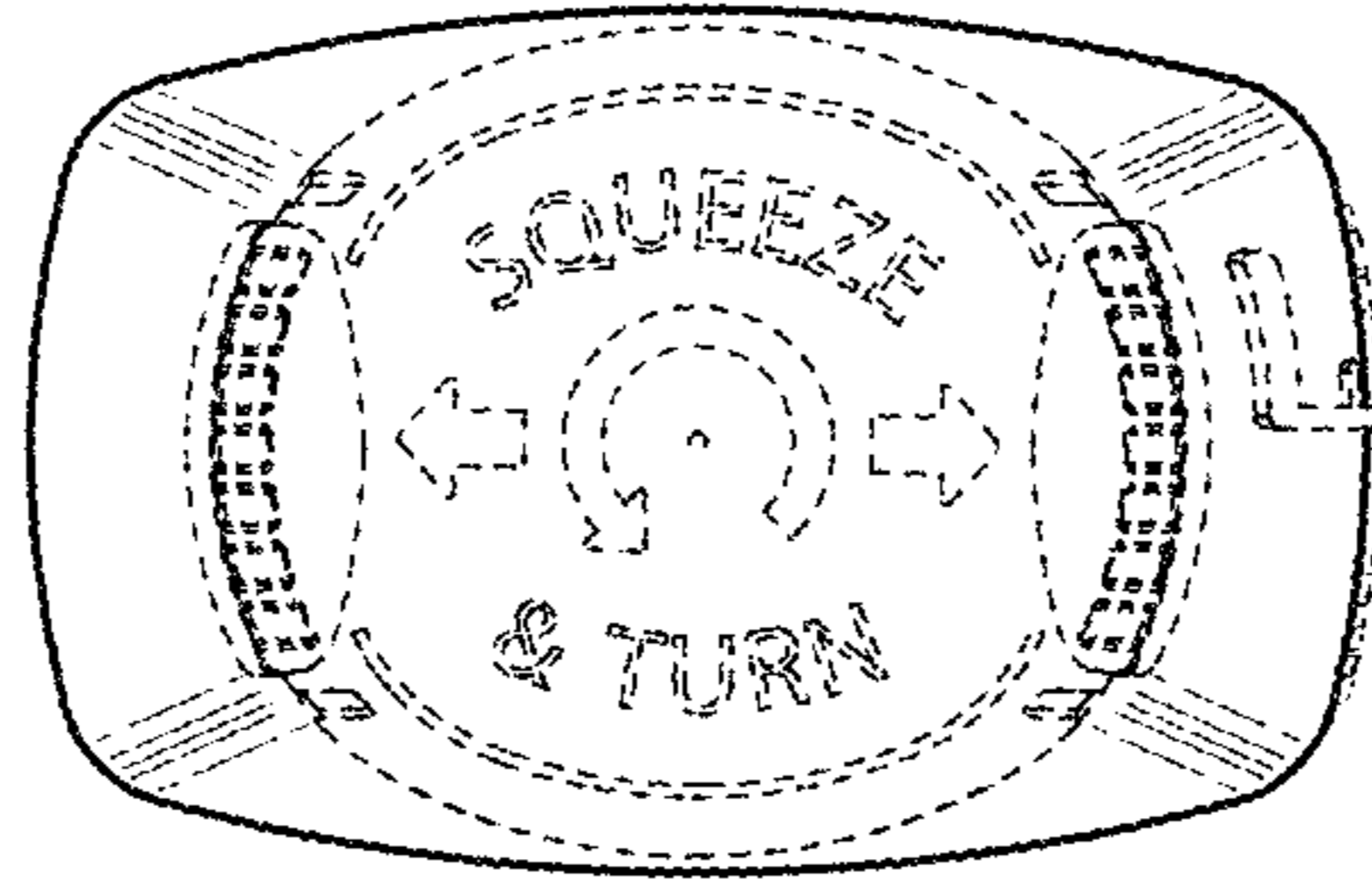


Fig. 15

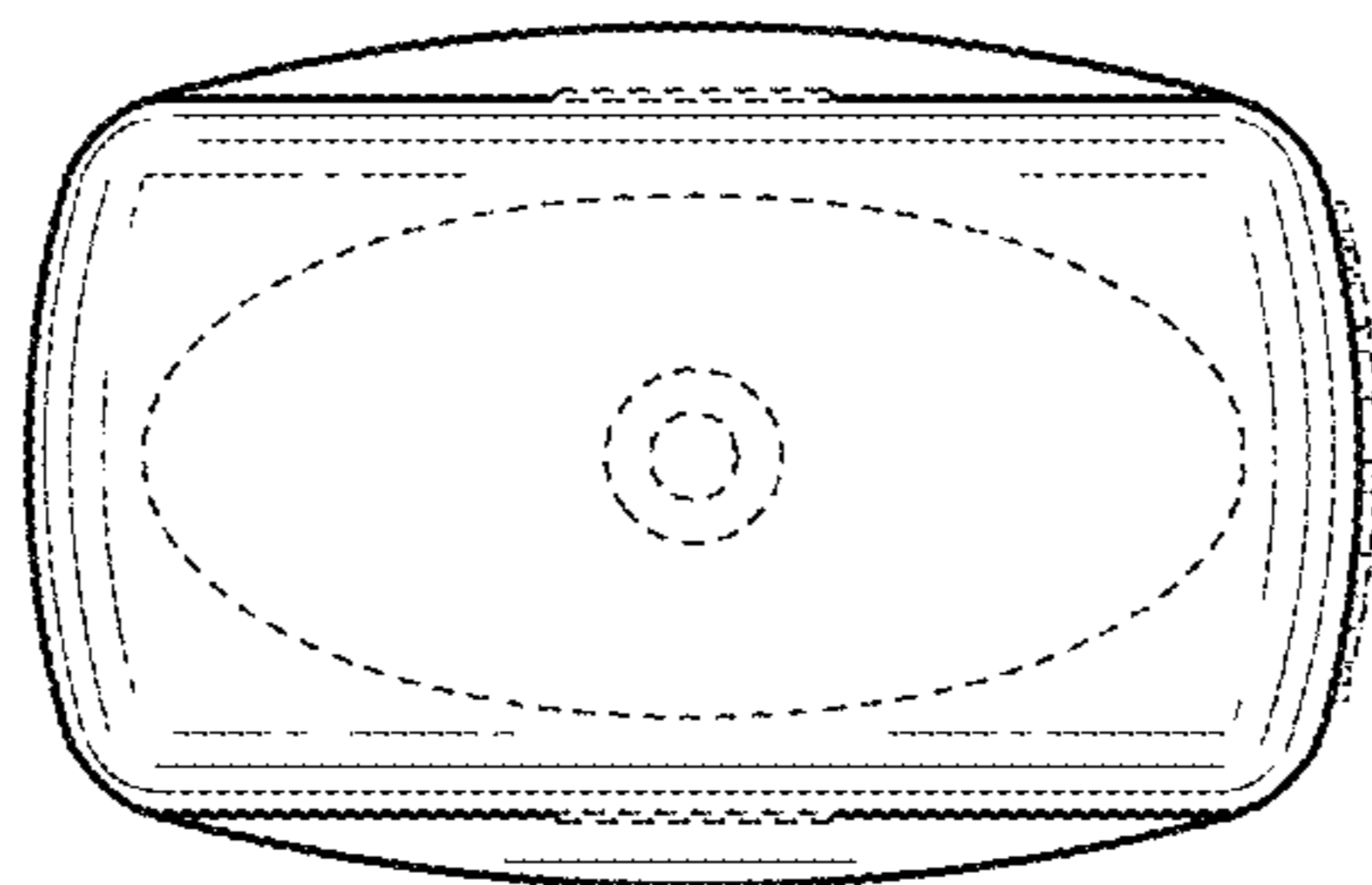


Fig. 16

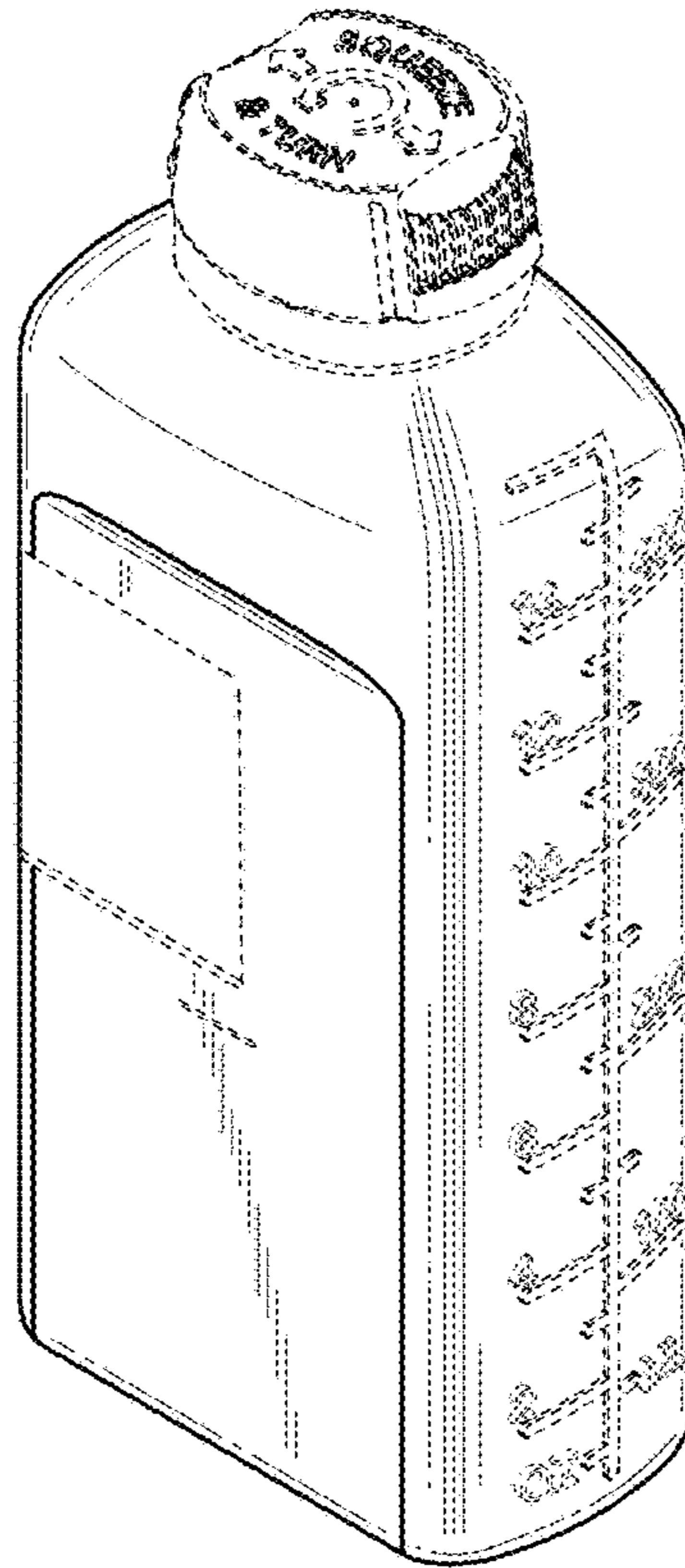


Fig. 17

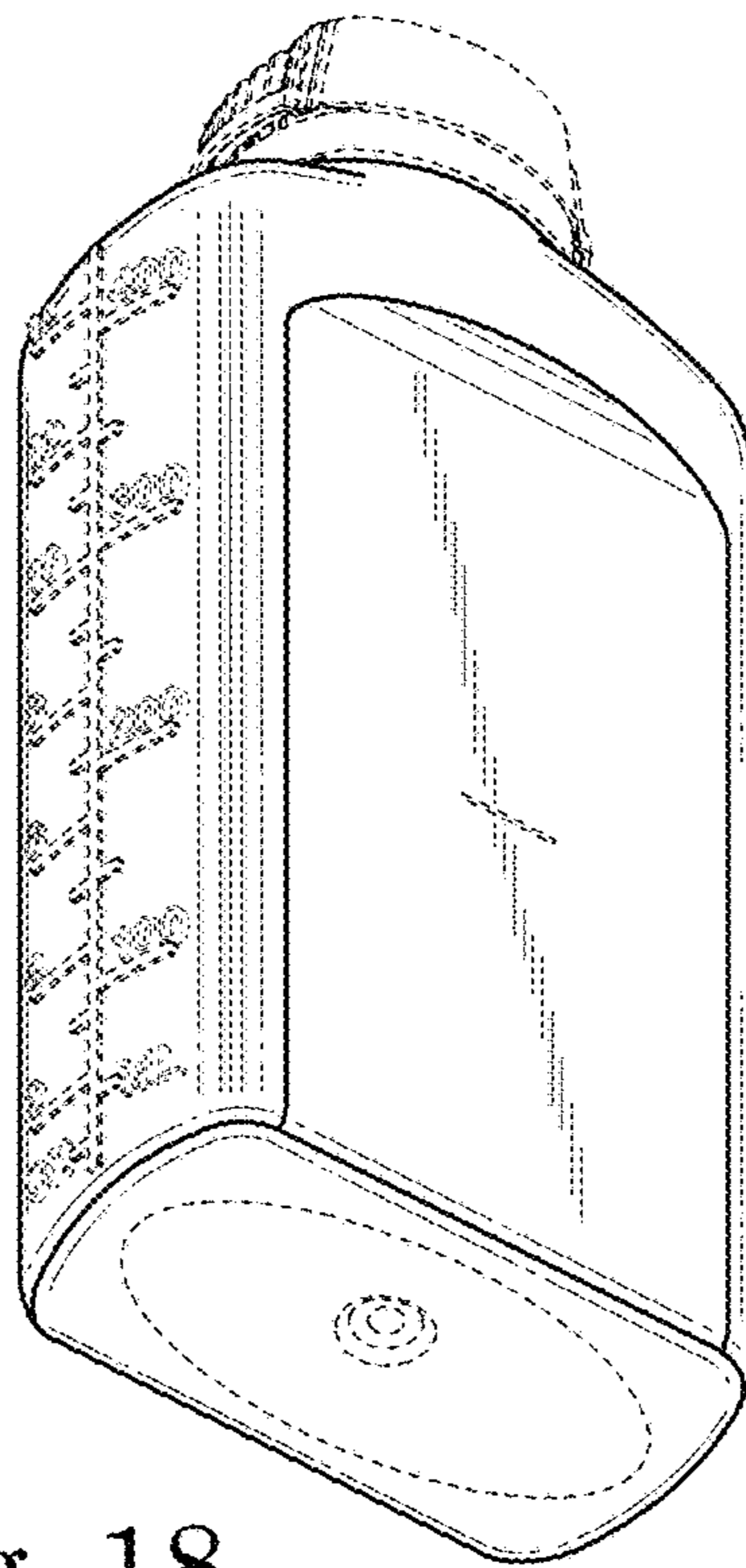


Fig. 18

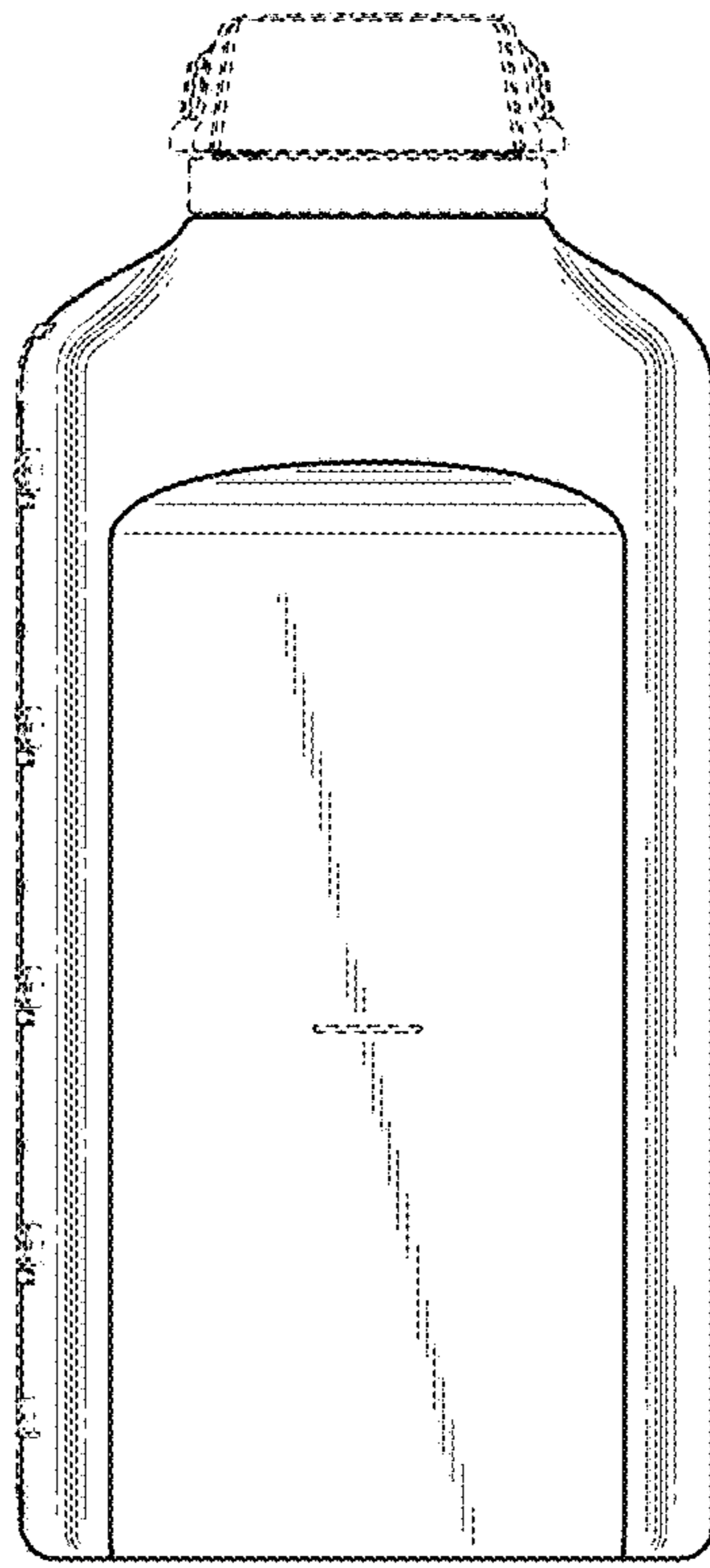


Fig. 19

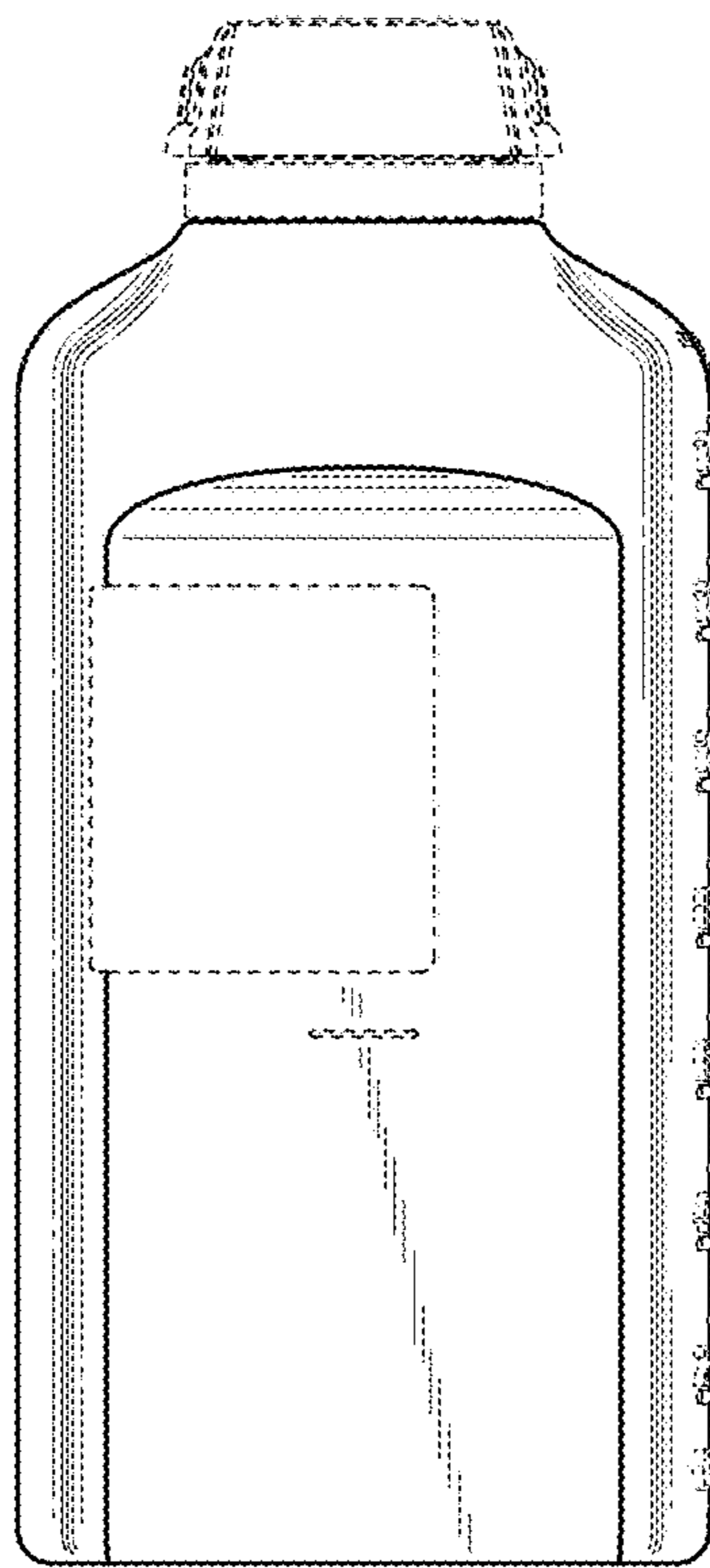


Fig. 20

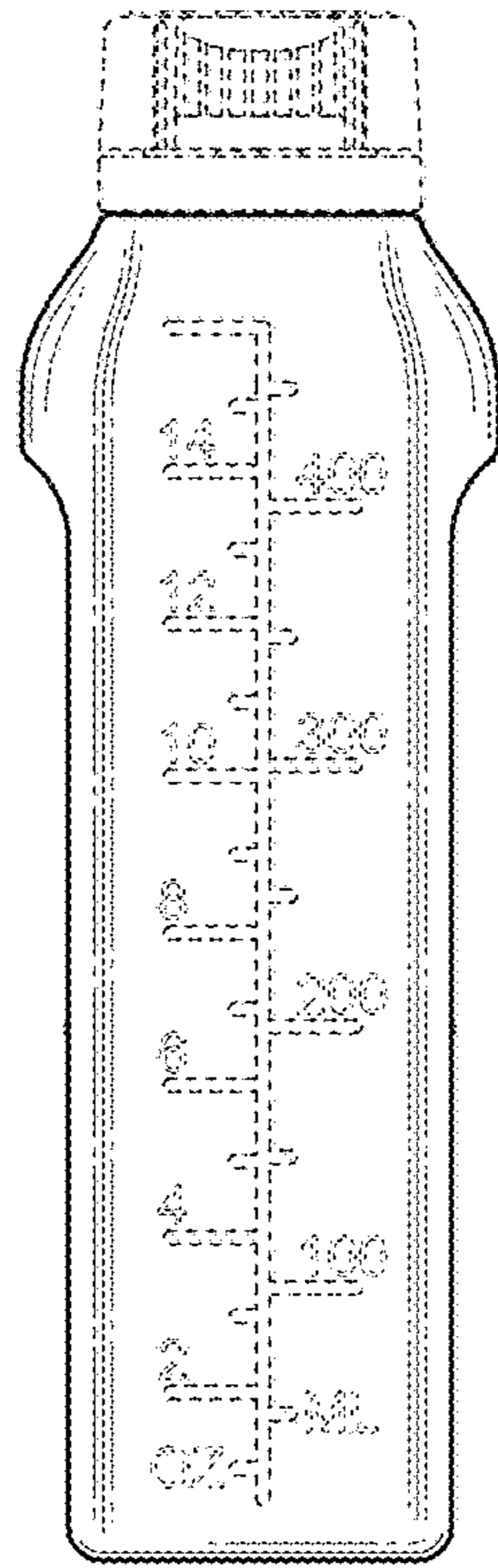


Fig. 21

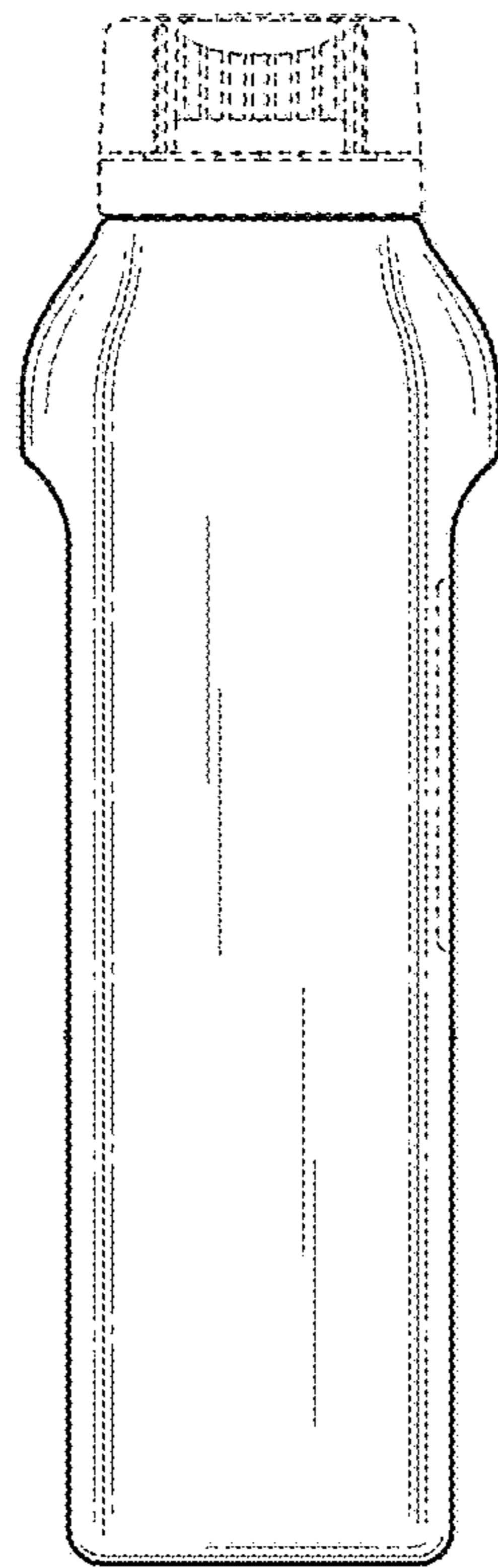


Fig. 22

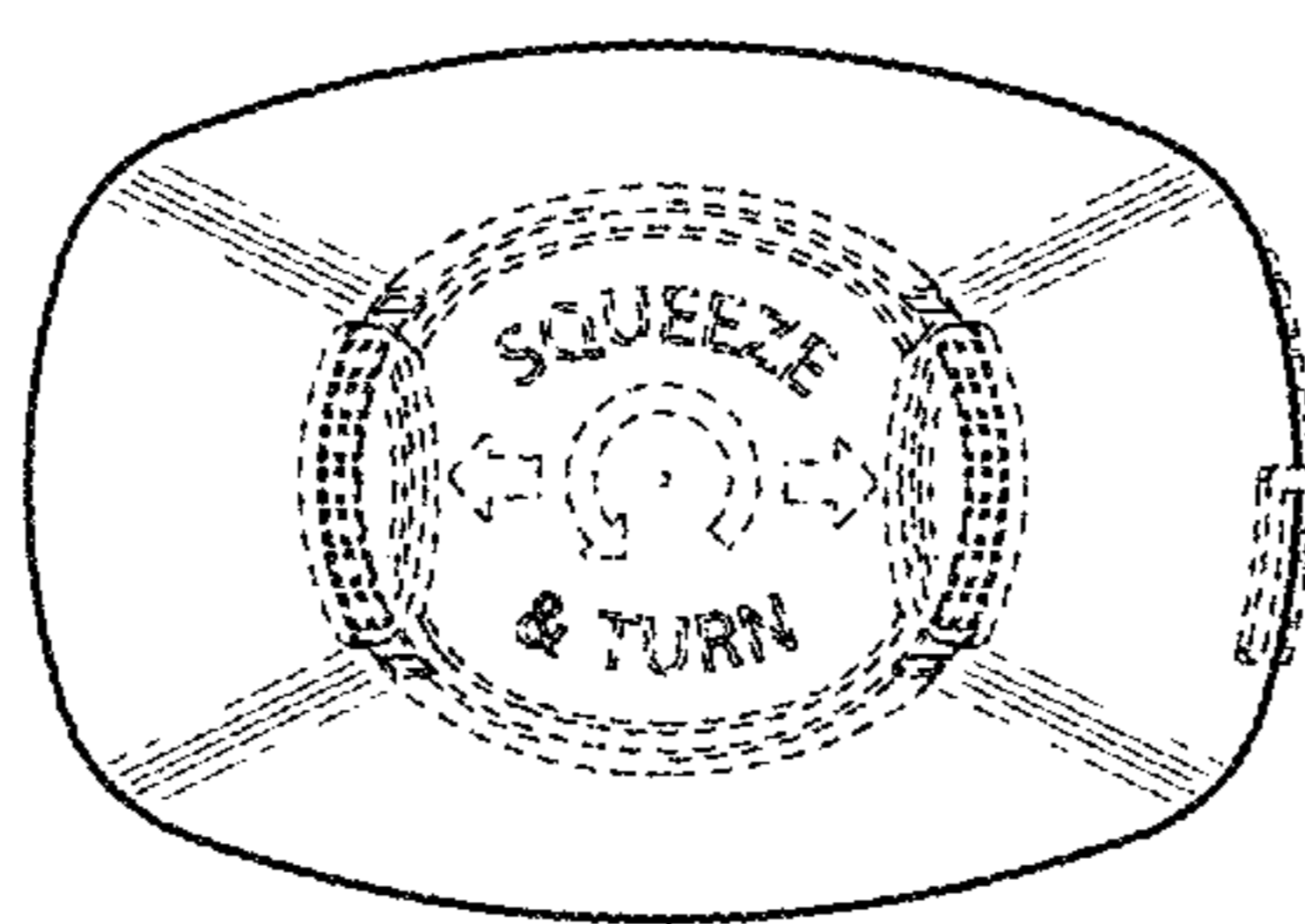


Fig. 23

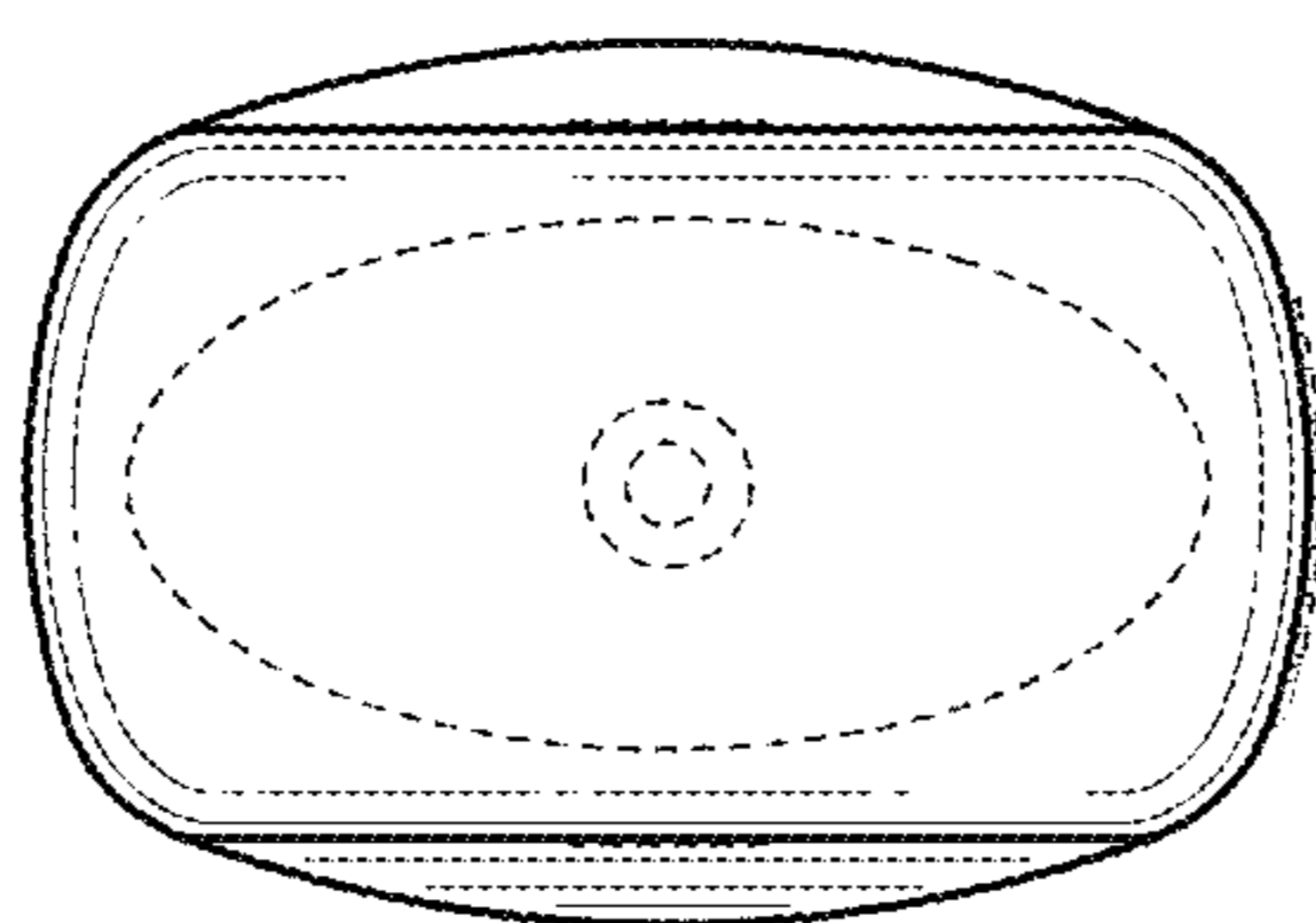


Fig. 24