



US00D786084S

(12) **United States Design Patent** (10) **Patent No.:** **US D786,084 S**  
**Kachar et al.** (45) **Date of Patent:** **\*\* May 9, 2017**

- (54) **BOTTLE**
- (71) Applicant: **Doskocil Manufacturing Company, Inc.**, Arlington, TX (US)
- (72) Inventors: **Amanda M. Kachar**, Milwaukee, WI (US); **Elizaveta V. Morris**, Dallas, TX (US)
- (73) Assignee: **DOSKOCIL MANUFACTURING COMPANY, INC.**, Arlington, TX (US)
- (\*\*) Term: **15 Years**
- (21) Appl. No.: **29/548,239**
- (22) Filed: **Dec. 11, 2015**
- (51) **LOC (10) Cl.** ..... **09-01**
- (52) **U.S. Cl.**  
 USPC ..... **D9/549**; D9/563; D9/774; D30/121
- (58) **Field of Classification Search**  
 USPC ..... D7/300–322, 396.2, 509–511, 523, 589, D7/598, 612, 615, 619.1; D9/500, D9/503–505, 516–575, 763–783; 215/40–55, 316–354, 370–385; 220/574–575  
 CPC ..... B65D 1/00; B65D 1/02; B65D 1/0223; B65D 1/023; B65D 1/0276  
 See application file for complete search history.

(56) **References Cited**

U.S. PATENT DOCUMENTS

- D351,689 S \* 10/1994 VanSkiver ..... D30/121  
 D406,924 S \* 3/1999 Kolozsvari ..... D30/121  
 D406,926 S \* 3/1999 Kolozsvari ..... D30/132  
 6,477,981 B1 \* 11/2002 Harper ..... A01K 5/0114  
 119/51.01  
 D537,353 S \* 2/2007 Bailey ..... D9/540  
 D539,661 S \* 4/2007 Eble ..... D9/553

- D655,053 S \* 2/2012 Weber ..... D30/121  
 8,448,603 B2 \* 5/2013 Northrop ..... A01K 5/0135  
 119/61.54  
 8,662,332 B2 \* 3/2014 Wurster ..... B65D 1/0246  
 215/371  
 D708,523 S \* 7/2014 Topinka ..... D9/500

OTHER PUBLICATIONS

“Petmate Mason Replendish Waterer.” Amazon.com. Reviewed Jul. 28, 2015. Accessed Dec. 20, 2016. Available online at URL: <<https://www.amazon.com/Petmate-Replendish-Waterer-Mason-Silver/dp/B00WUBBM7C>>.\*

\* cited by examiner

*Primary Examiner* — Cathron Brooks  
*Assistant Examiner* — Christian P McLean  
(74) *Attorney, Agent, or Firm* — Global IP Counselors, LLP

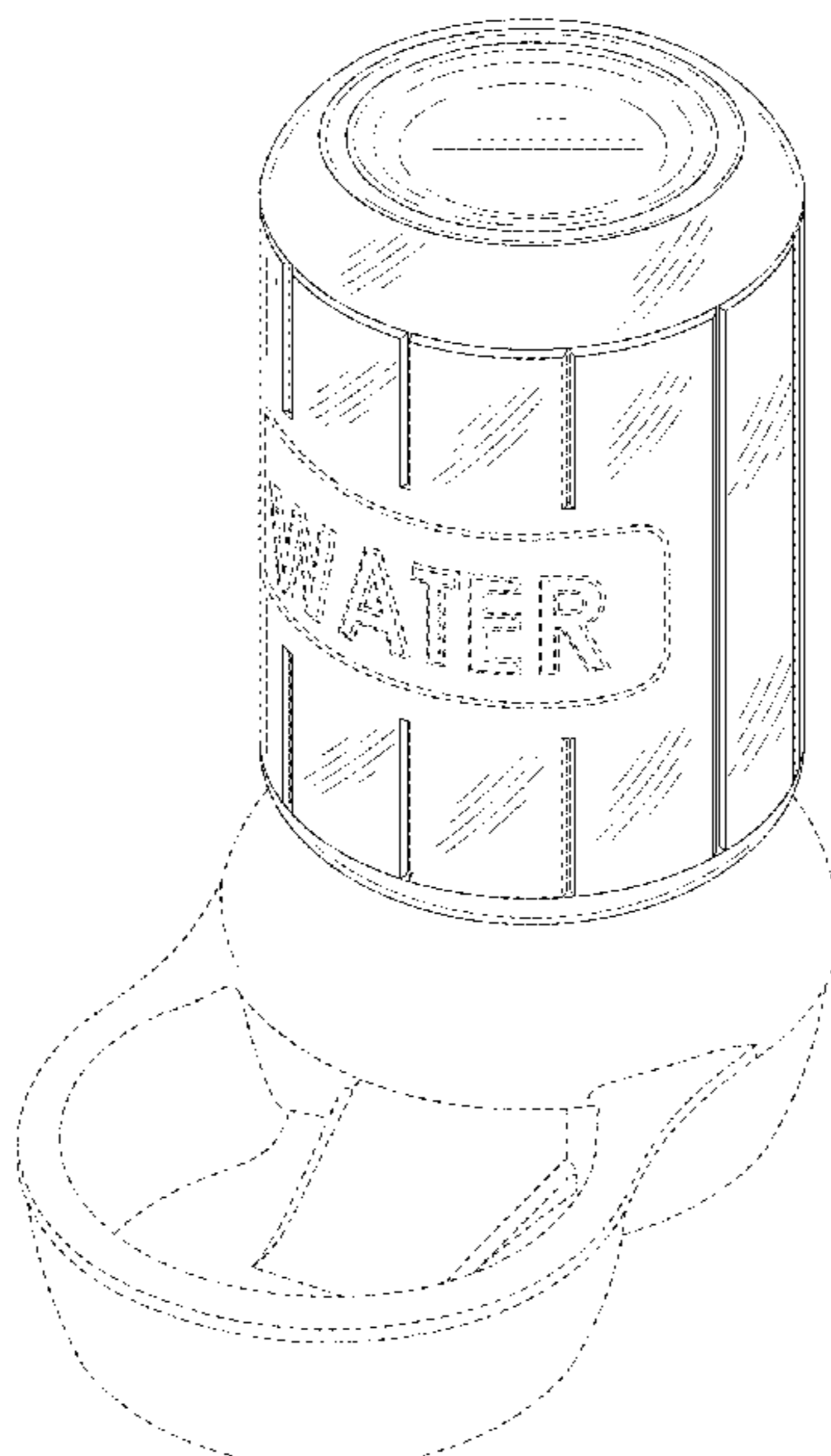
(57) **CLAIM**

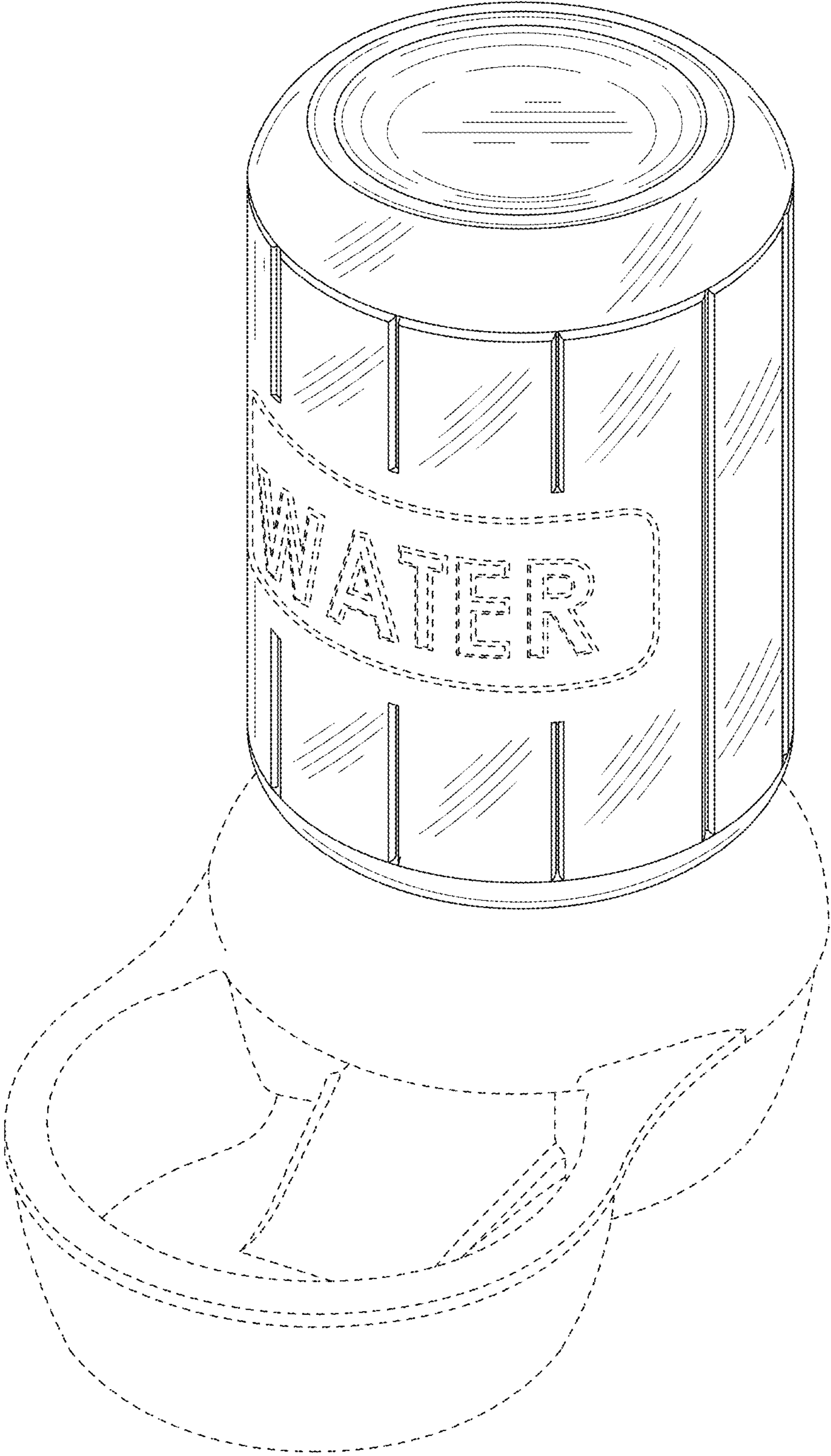
The ornamental design for a bottle, as shown and described.

**DESCRIPTION**

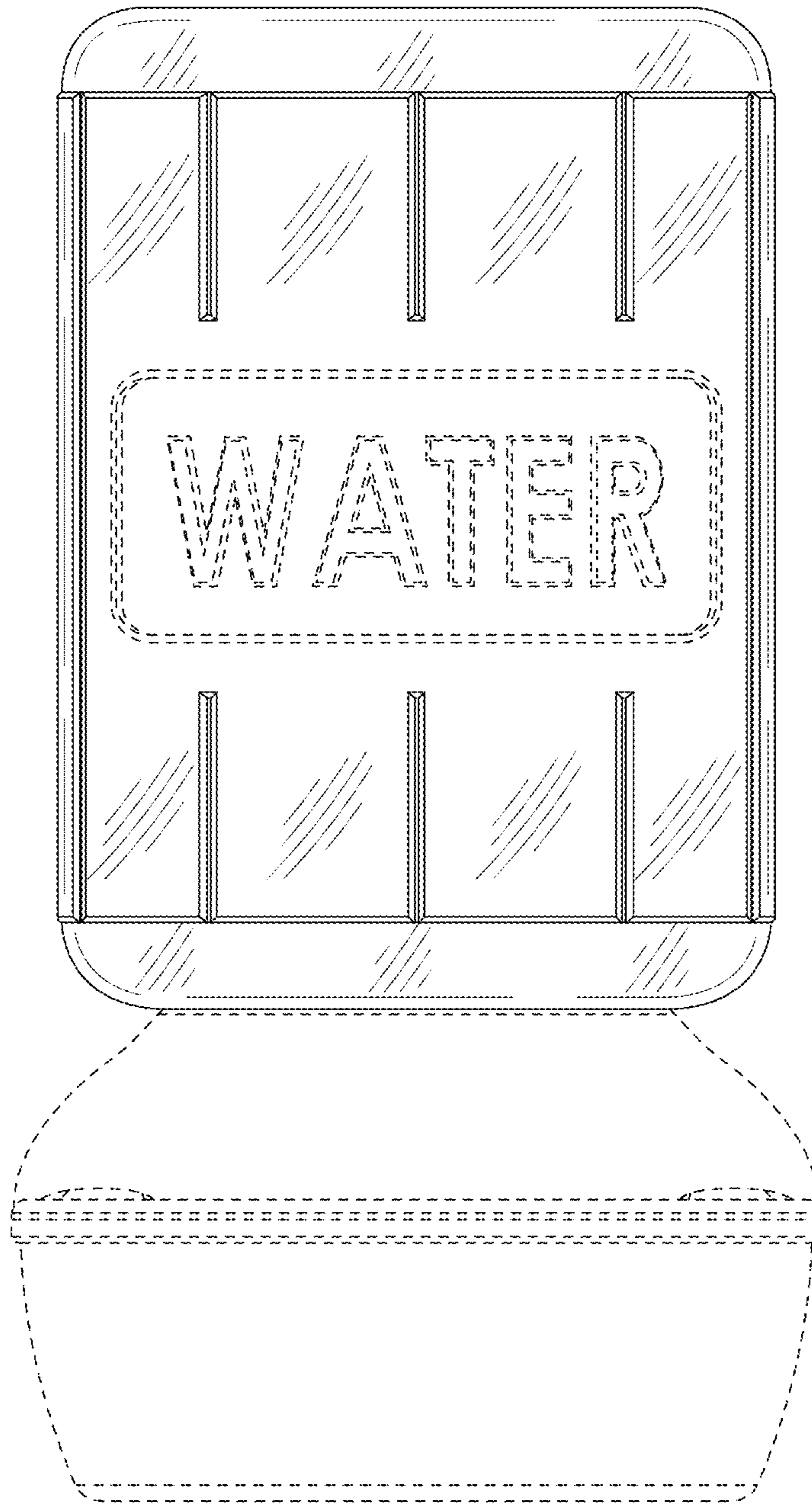
FIG. 1 is a front perspective view of a bottle in accordance with our new design;  
FIG. 2 is a front view of the bottle in accordance with our new design of FIG. 1;  
FIG. 3 is a rear view of the bottle in accordance with our new design of FIGS. 1 and 2;  
FIG. 4 is a side view of the bottle in accordance with our new design of FIGS. 1 to 3;  
FIG. 5 is a side view of the bottle in accordance with our new design of FIGS. 1 to 4; and,  
FIG. 6 is a top plan view of the bottle in accordance with our new design of FIGS. 1 to 5.  
The broken lines depict environmental subject matter, are for illustration only, and form no part of the claimed design.

**1 Claim, 6 Drawing Sheets**

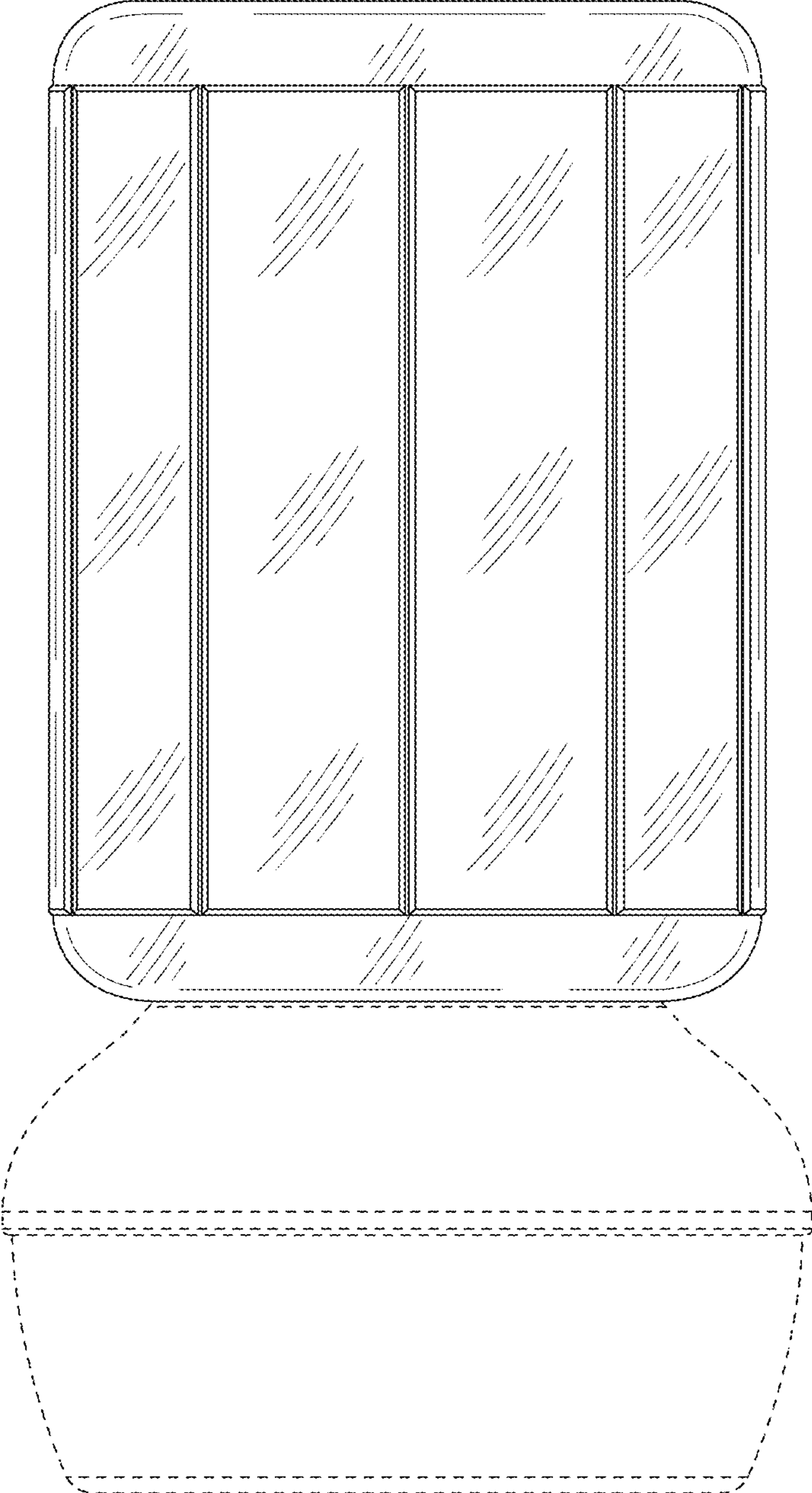




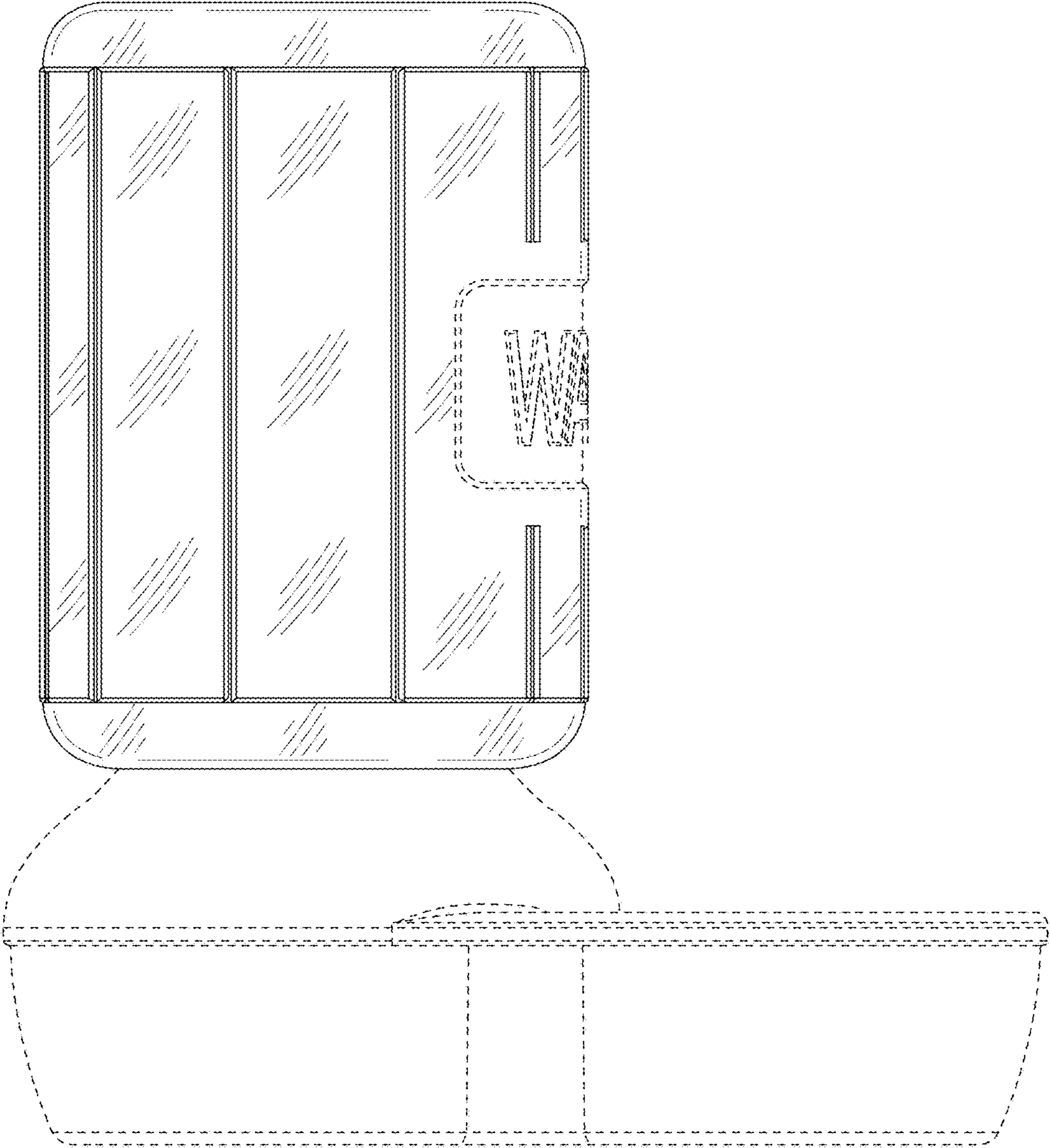
**FIG. 1**



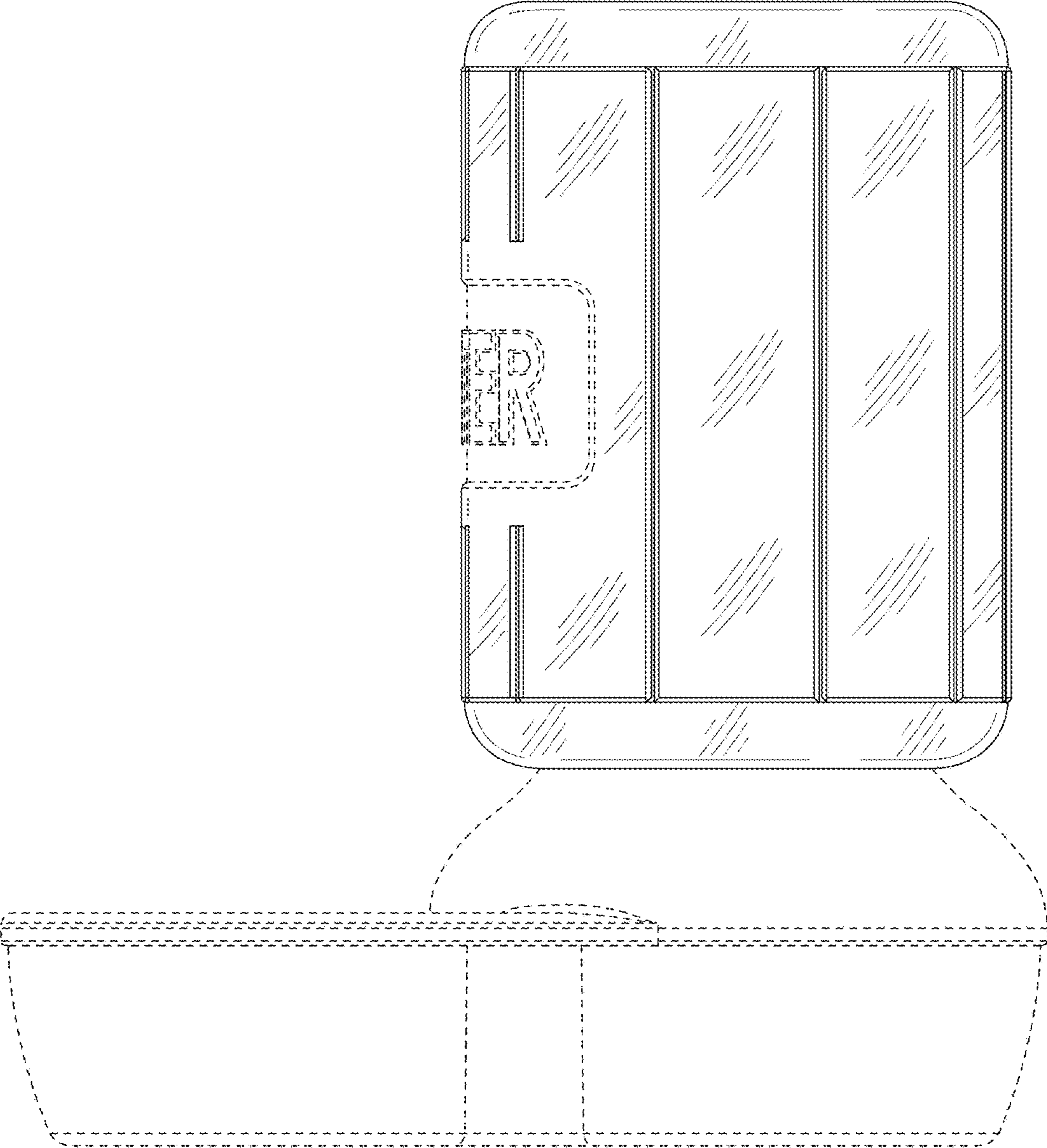
**FIG. 2**



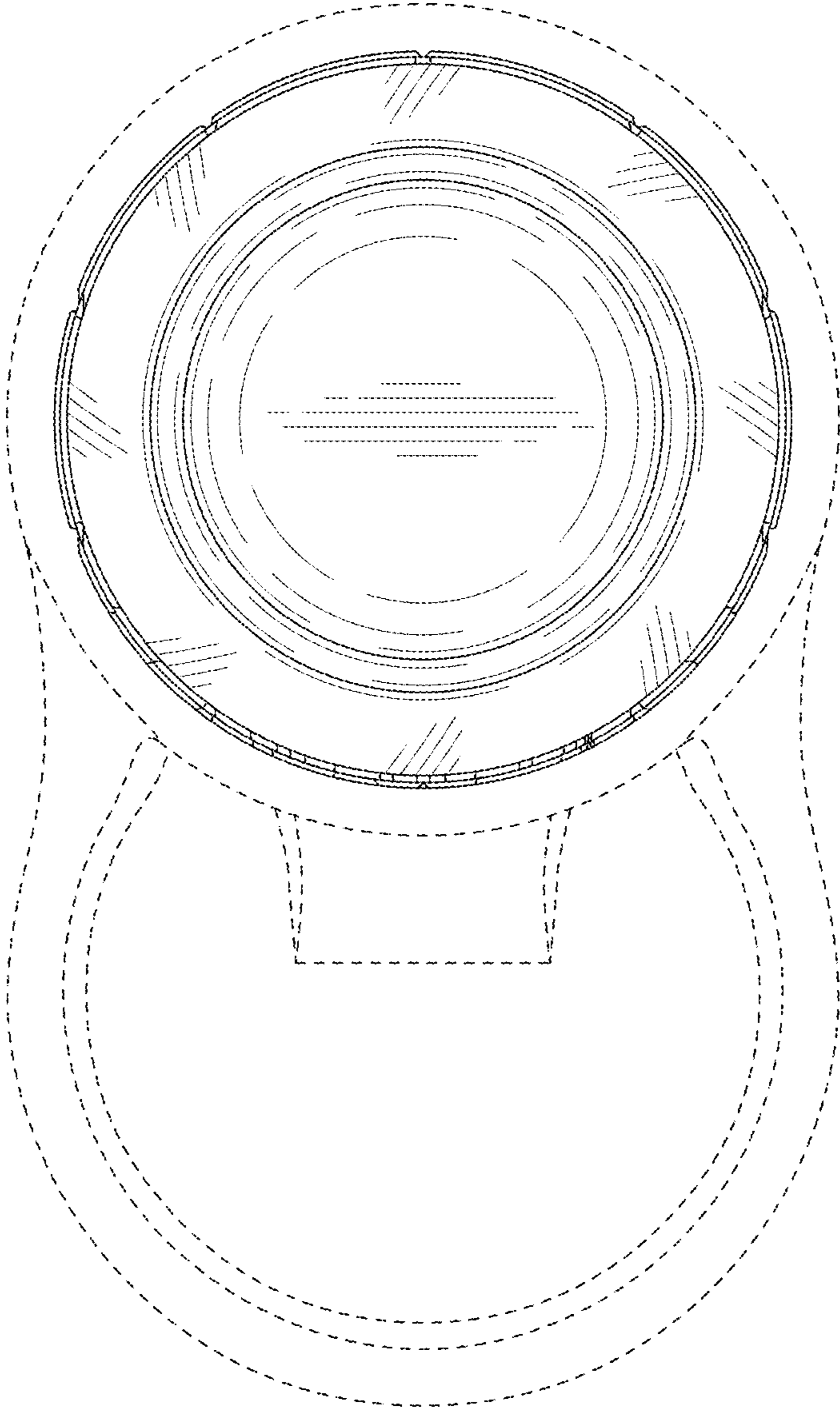
**FIG. 3**



**FIG. 4**



**FIG. 5**



**FIG. 6**