



US00D786083S

(12) **United States Design Patent** (10) **Patent No.:** **US D786,083 S**
Baker et al. (45) **Date of Patent:** **** May 9, 2017**

(54) **BOTTLE** 8,448,603 B2 * 5/2013 Northrop A01K 5/0135
119/61.54
(71) Applicant: **Doskocil Manufacturing Company,** D689,375 S * 9/2013 Garner D9/502
Inc., Arlington, TX (US) 8,555,816 B2 * 10/2013 Weber A01K 7/025
119/74
(72) Inventors: **Nicholas Baker,** Fort Worth, TX (US); D703,392 S * 4/2014 Desberg D30/121
Vas Obeyesekere, Seattle, WA (US) D755,049 S * 5/2016 Clark D9/502
D763,103 S * 8/2016 Fleischhacker D9/745
2005/0252457 A1 * 11/2005 Morosin A01K 5/0291
119/51.13
(73) Assignee: **DOSKOCIL MANUFACTURING** 2011/0017753 A1 * 1/2011 Lewis B65D 1/165
COMPANY, INC., Arlington, TX (US) 220/669

(**) Term: **15 Years**

* cited by examiner

(21) Appl. No.: **29/548,235**

Primary Examiner — Cathron Brooks

(22) Filed: **Dec. 11, 2015**

Assistant Examiner — Christian P McLean

(51) **LOC (10) Cl.** **09-01**

(74) *Attorney, Agent, or Firm* — Global IP Counselors, LLP

(52) **U.S. Cl.**

(57) **CLAIM**

USPC **D9/549; D9/563; D9/774; D30/121**

The ornamental design for a bottle, as shown and described.

(58) **Field of Classification Search**

DESCRIPTION

USPC D7/300–322, 396.2, 509–511, 523, 589,
D7/598, 612, 615, 619.1; D9/500,
D9/503–505, 516–575, 763–783;
215/40–55, 316–354, 370–385;
220/574–575

FIG. 1 is a front perspective view of a bottle in accordance with our new design;

FIG. 2 is a front view of the bottle in accordance with our new design of FIG. 1;

FIG. 3 is a rear view of the bottle in accordance with our new design of FIGS. 1 and 2;

FIG. 4 is a side view of the bottle in accordance with our new design of FIGS. 1 to 3;

FIG. 5 is a side view of the bottle in accordance with our new design of FIGS. 1 to 4; and,

FIG. 6 is a top plan view of the bottle in accordance with our new design of FIGS. 1 to 5.

The broken lines depict environmental subject matter, are for illustration only, and form no part of the claimed design.

CPC B65D 1/00; B65D 1/02; B65D 1/0223;
B65D 1/023; B65D 1/0276

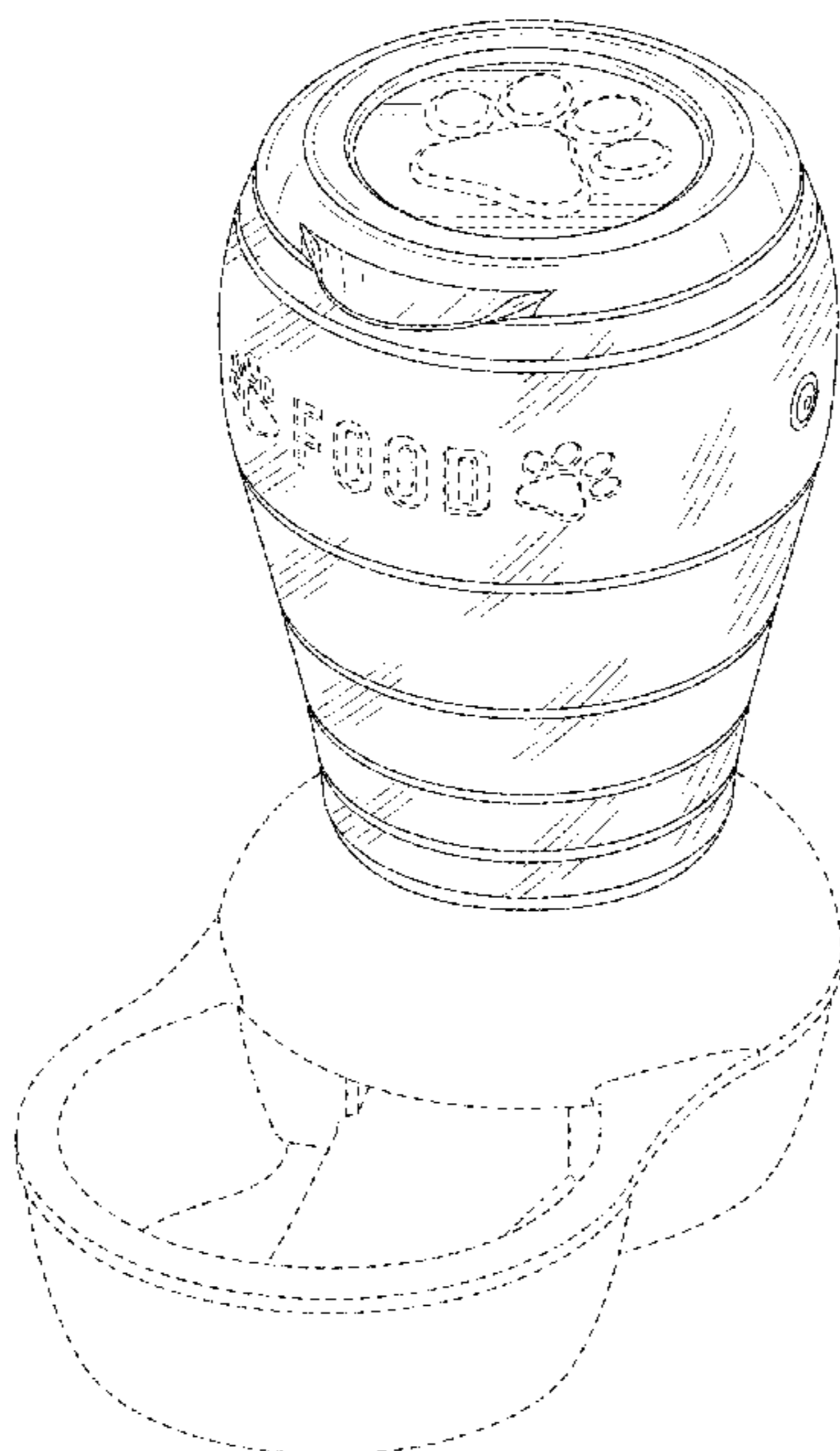
See application file for complete search history.

(56) **References Cited**

U.S. PATENT DOCUMENTS

D360,100 S * 7/1995 Van Den Berghe D7/306
D429,109 S * 8/2000 Ohu D7/307
D642,471 S * 8/2011 White D9/502
D655,053 S * 2/2012 Weber D30/121
8,387,566 B2 * 3/2013 Graves A01K 7/02
119/51.01

1 Claim, 6 Drawing Sheets



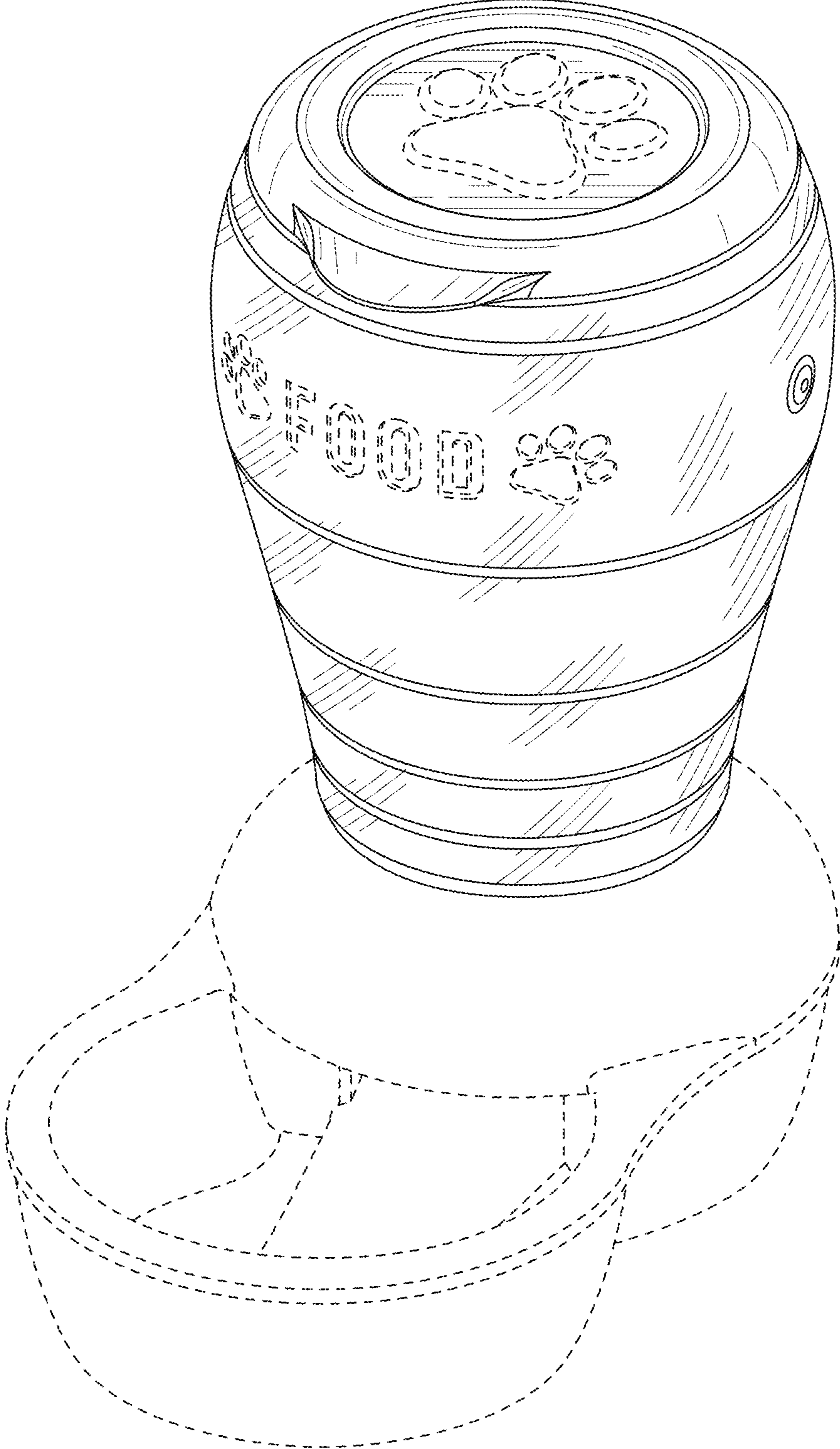


FIG. 1

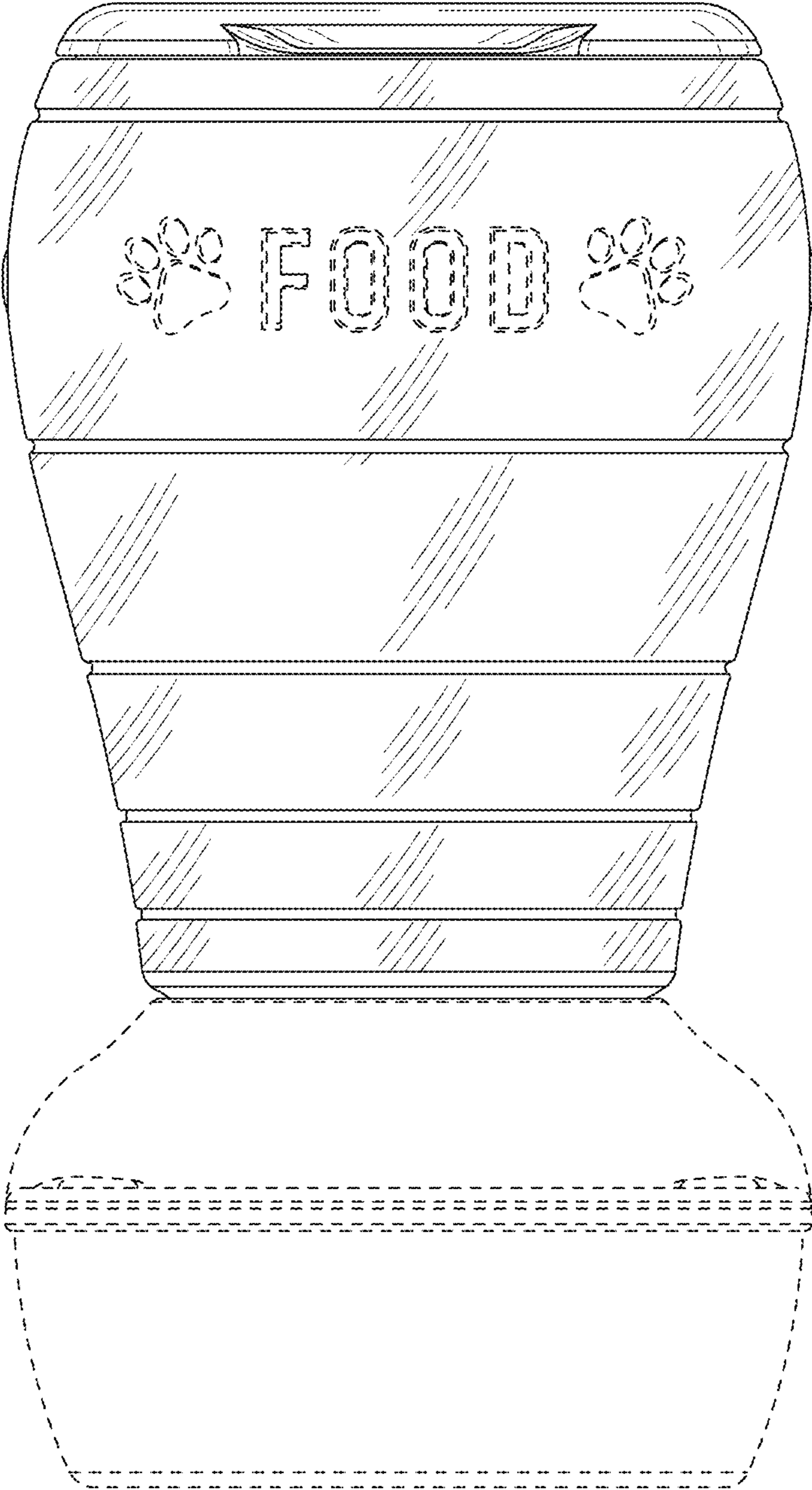


FIG. 2

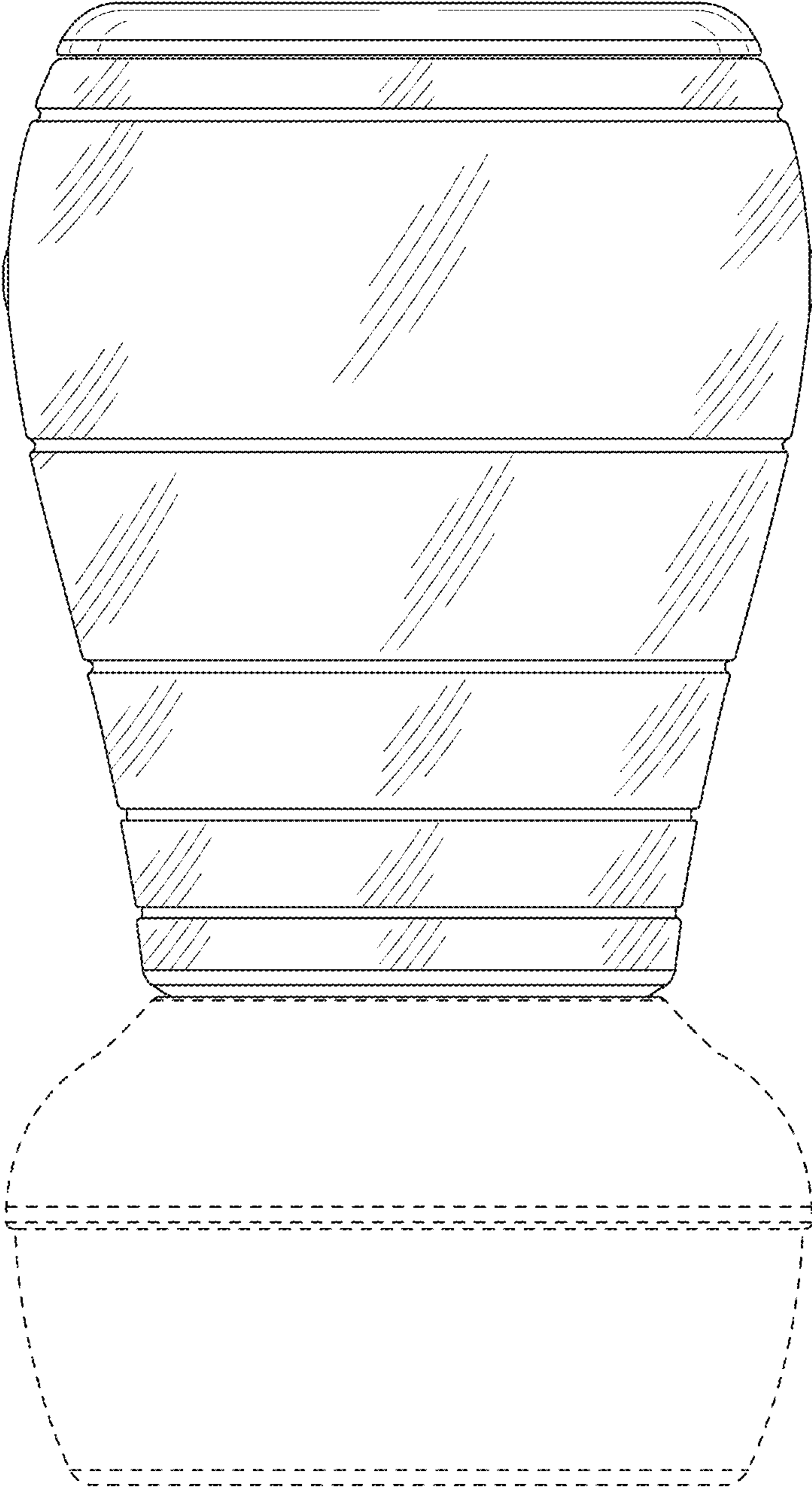


FIG. 3

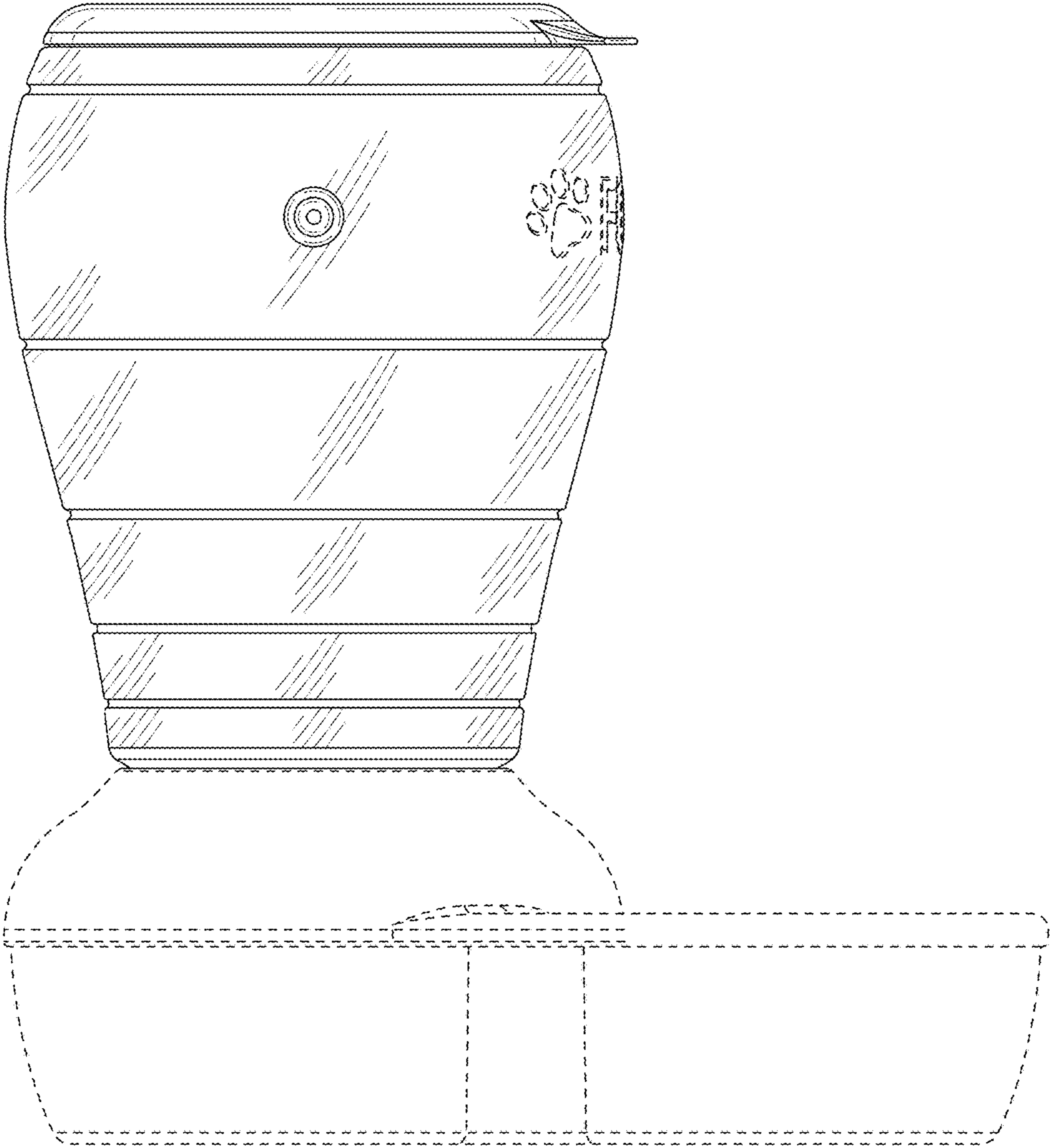


FIG. 4

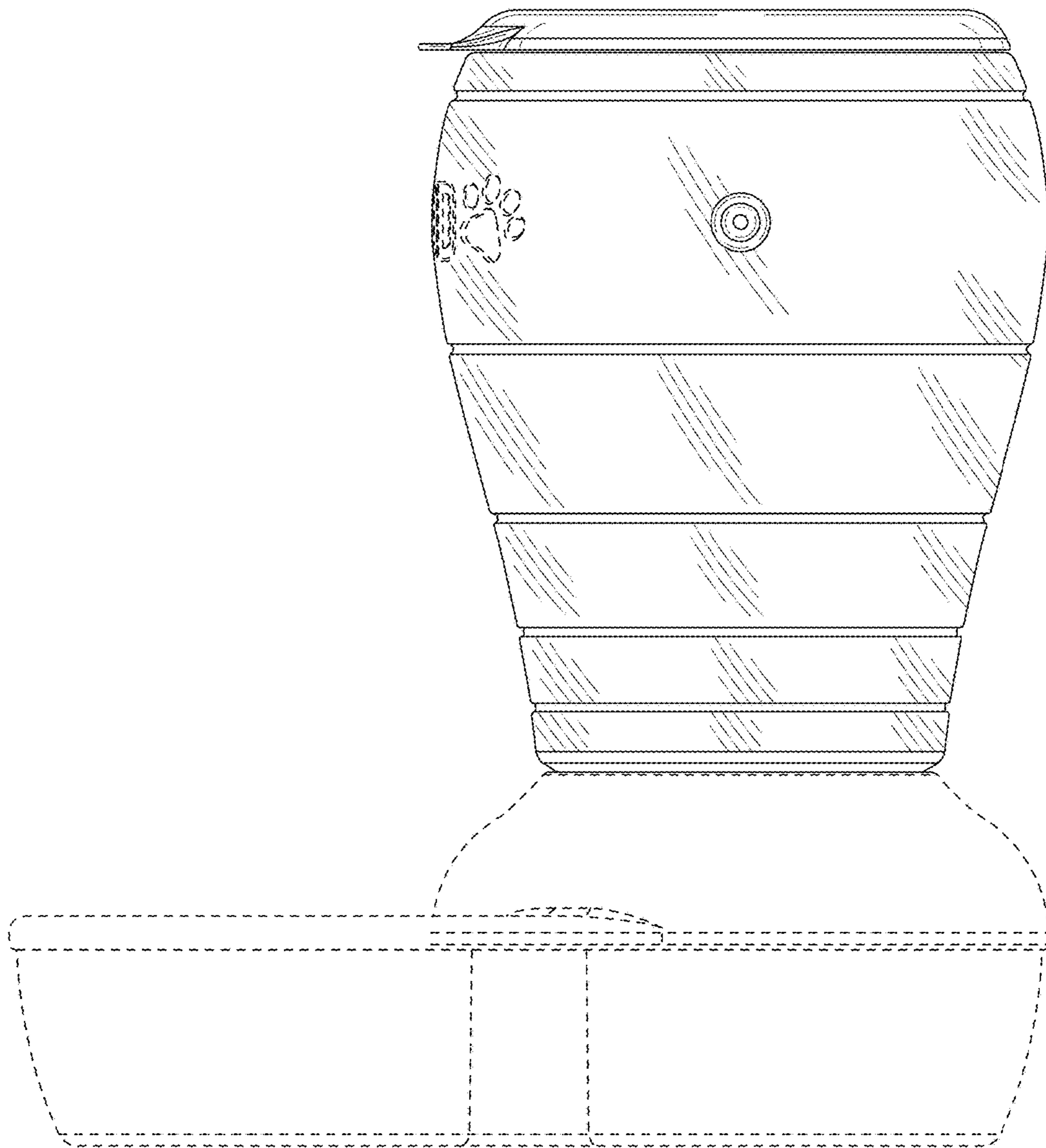


FIG. 5

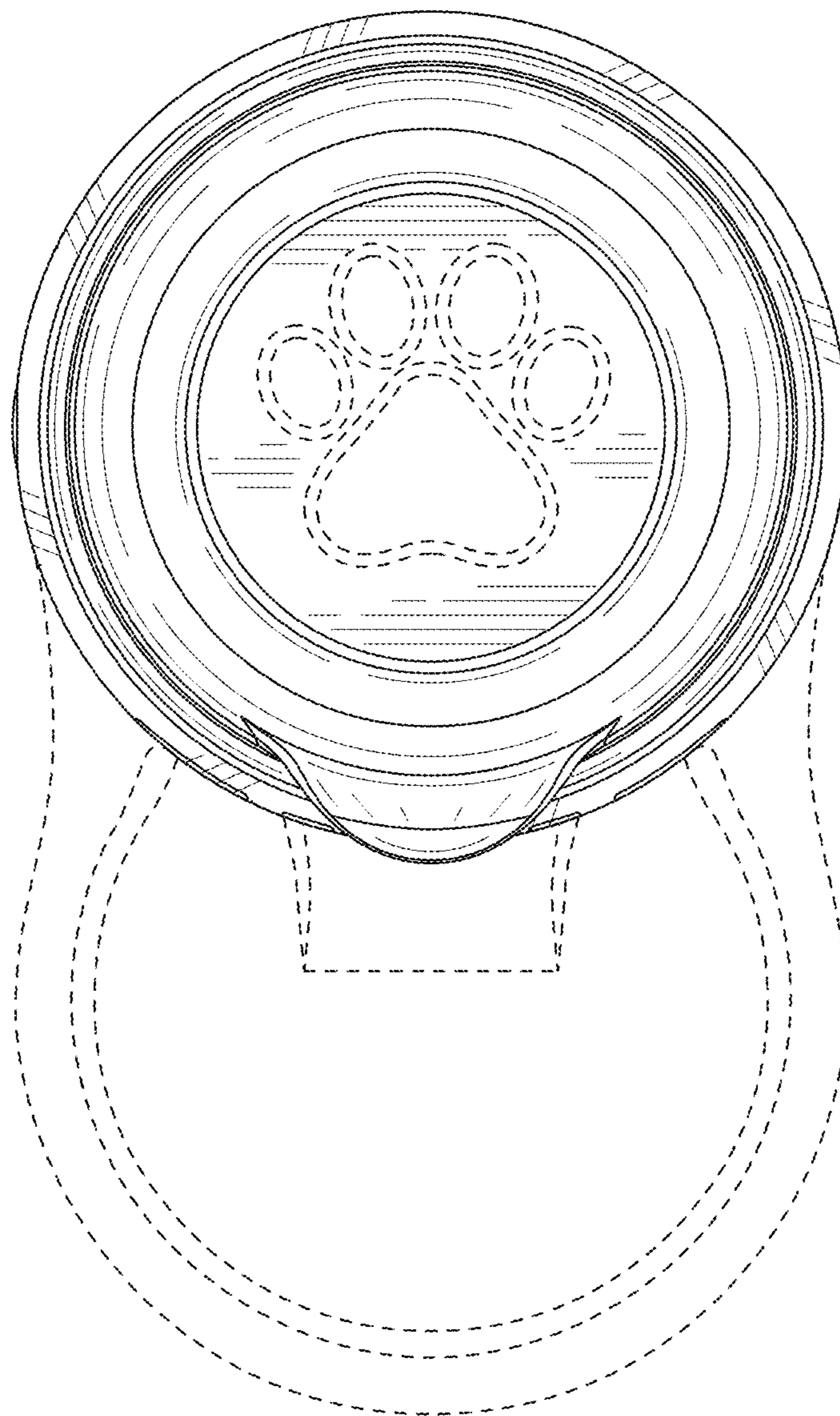


FIG. 6