



US00D786082S

(12) **United States Design Patent** (10) **Patent No.:** **US D786,082 S**
Kachar et al. (45) **Date of Patent:** **** May 9, 2017**

(54) **BOTTLE**
 (71) Applicant: **Doskocil Manufacturing Company, Inc.**, Arlington, TX (US)
 (72) Inventors: **Amanda M. Kachar**, Arlington, TX (US); **Elizaveta V. Morris**, Dallas, TX (US)
 (73) Assignee: **DOSKOCIL MANUFACTURING COMPANY, INC.**, Arlington, TX (US)

2004/0211746 A1* 10/2004 Trude B65D 1/0276
 215/374
 2007/0012650 A1* 1/2007 Eble B65D 1/44
 215/382
 2008/0308559 A1* 12/2008 Peleg B65D 11/04
 220/506
 2011/0000869 A1* 1/2011 Braun B65D 1/023
 215/40

(Continued)

(**) Term: **15 Years**

(21) Appl. No.: **29/548,232**

(22) Filed: **Dec. 11, 2015**

(51) **LOC (10) Cl.** **09-01**

(52) **U.S. Cl.**
USPC **D9/549**; D9/563; D9/774; D30/121

(58) **Field of Classification Search**
USPC D7/300-322, 396.2, 509-511, 523, 589,
D7/598, 612, 615, 619.1; D9/500,
D9/503-505, 516-575, 763-783;
215/40-55, 316-354, 370-385;
220/574-575

CPC B65D 1/00; B65D 1/02; B65D 1/0223;
B65D 1/023; B65D 1/0276

See application file for complete search history.

(56) **References Cited**

U.S. PATENT DOCUMENTS

D406,924 S * 3/1999 Kolozsvari D30/121
 6,823,651 B2 * 11/2004 Thierjung B65D 41/0442
 215/349
 6,928,954 B2 * 8/2005 Krishnamurthy A01K 7/025
 119/51.5
 D537,353 S * 2/2007 Bailey D9/540
 D539,661 S * 4/2007 Eble D9/553
 D655,053 S * 2/2012 Weber D30/121
 D687,665 S * 8/2013 Nagel D7/313
 D760,092 S * 6/2016 Goldman D21/483

OTHER PUBLICATIONS

“Petmate Mason Replendish Waterer.” Amazon.com. Reviewed Jul. 28, 2015. Accessed Dec. 20, 2016. Available online at URL: <<https://www.amazon.com/Petmate-Replendish-Waterer-Mason-Silver/dp/B00WUBBM7C>>.*

Primary Examiner — Cathron Brooks

Assistant Examiner — Christian P McLean

(74) *Attorney, Agent, or Firm* — Global IP Counselors, LLP

(57) **CLAIM**

The ornamental design for a bottle, as shown and described.

DESCRIPTION

FIG. 1 is a front perspective view of a bottle in accordance with our new design;

FIG. 2 is a front view of the bottle in accordance with our new design of FIG. 1;

FIG. 3 is a rear view of the bottle in accordance with our new design of FIGS. 1 and 2;

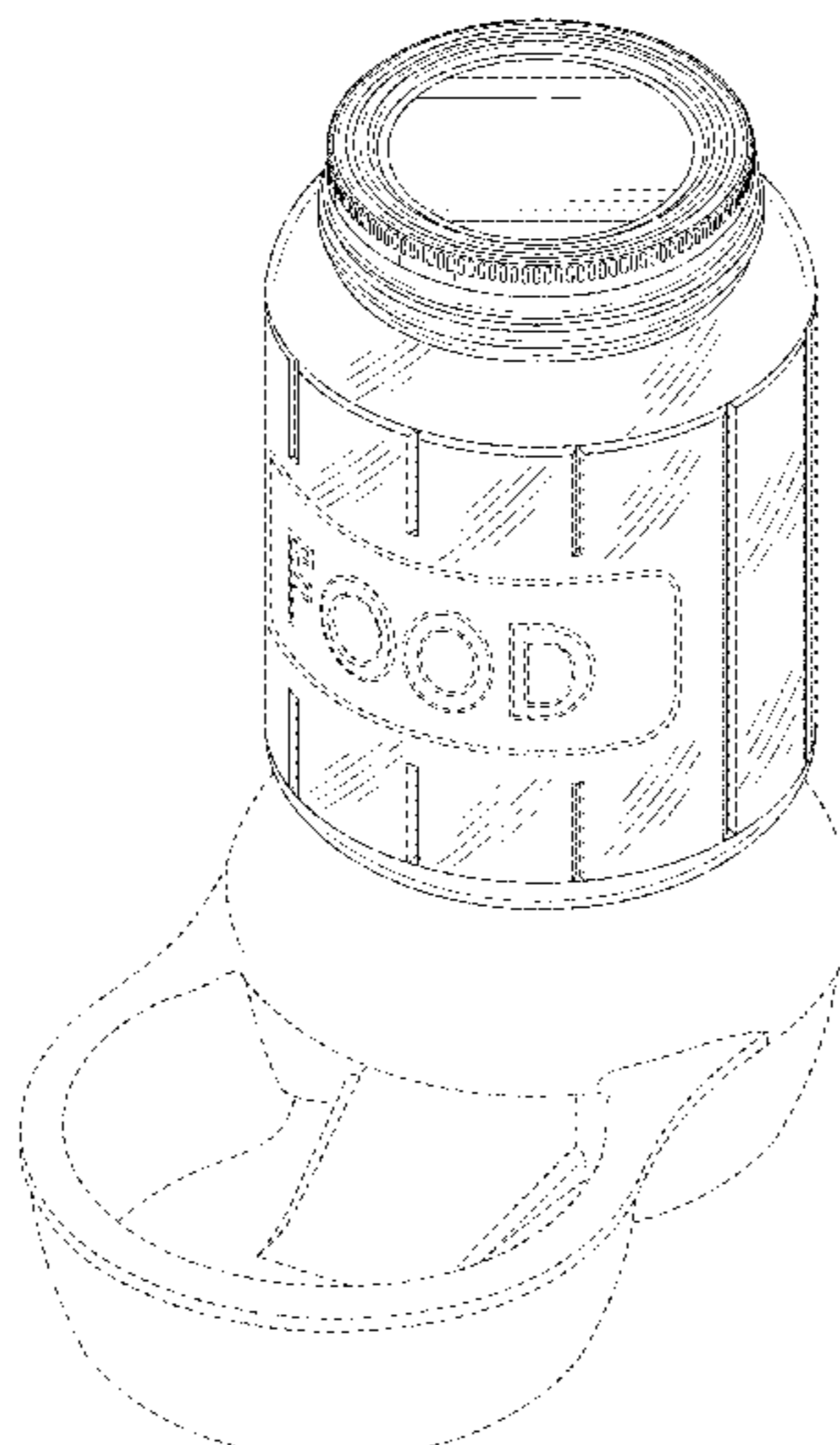
FIG. 4 is a side view of the bottle in accordance with our new design of FIGS. 1 to 3;

FIG. 5 is a side view of the bottle in accordance with our new design of FIGS. 1 to 4; and,

FIG. 6 is a top plan view of the bottle in accordance with our new design of FIGS. 1 to 5.

The broken lines depict environmental subject matter, are for illustration only, and form no part of the claimed design.

1 Claim, 6 Drawing Sheets



(56)

References Cited

U.S. PATENT DOCUMENTS

2015/0191279 A1* 7/2015 Price B65D 41/3428
215/350

* cited by examiner

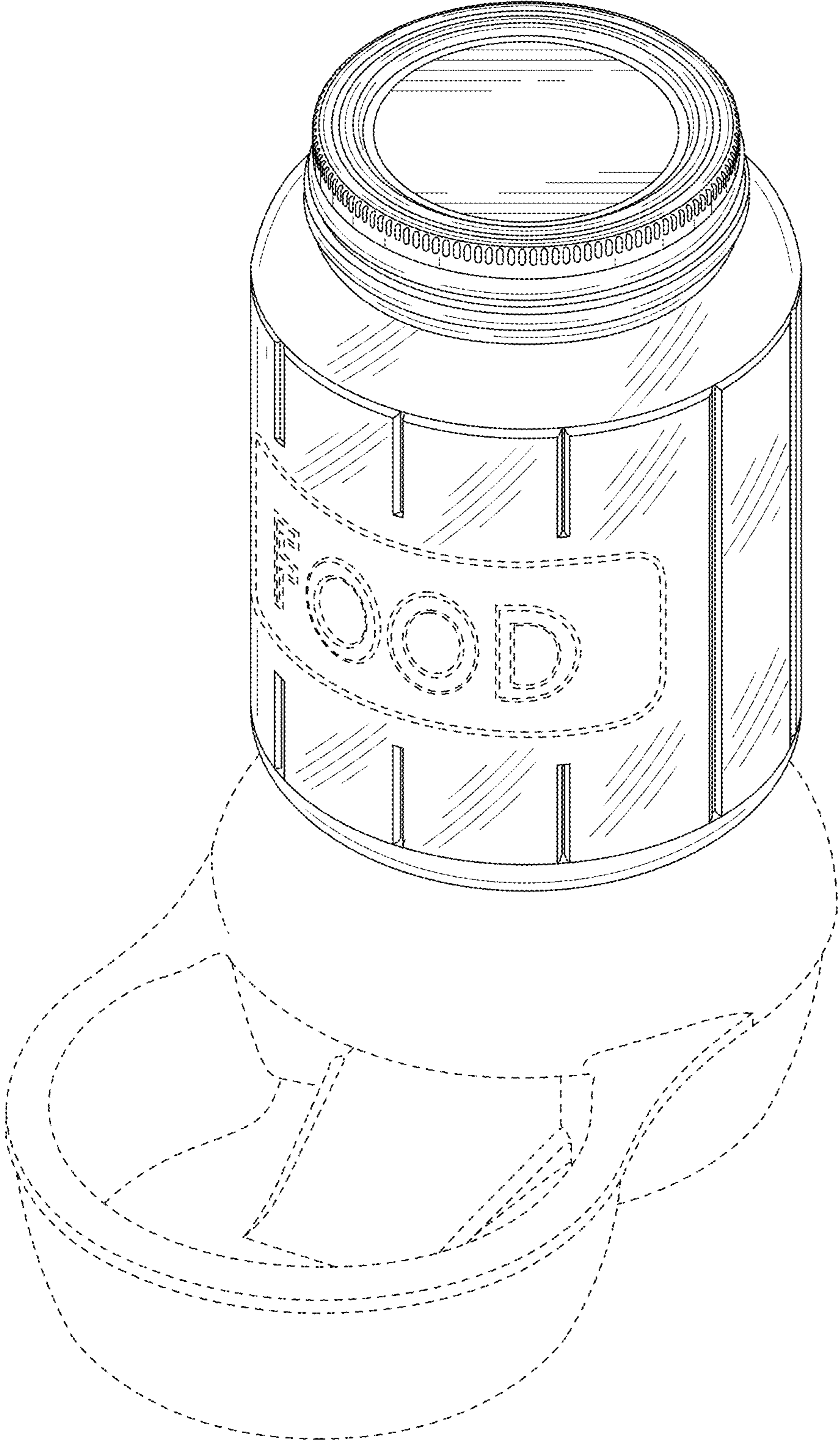


FIG. 1

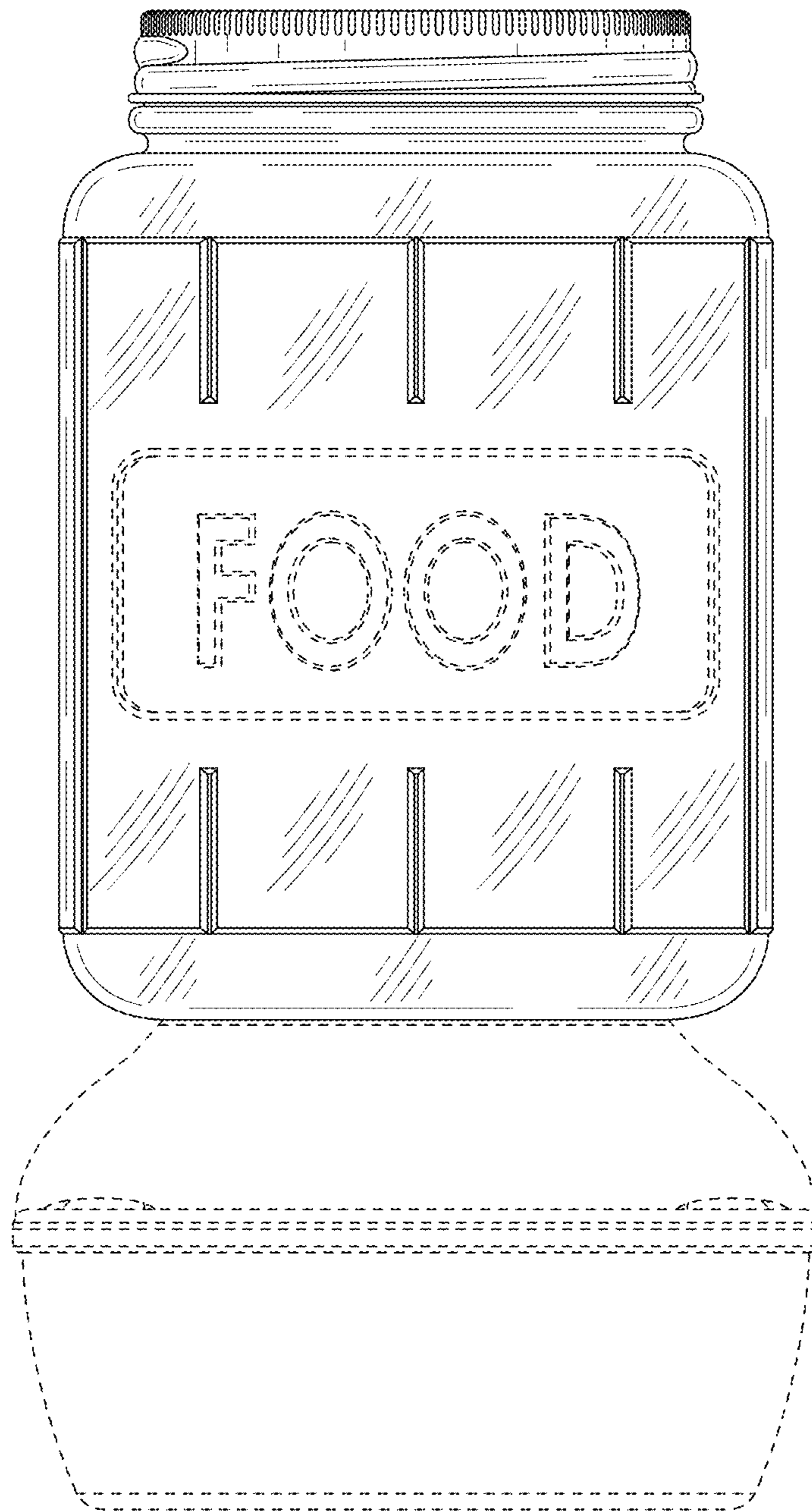


FIG. 2

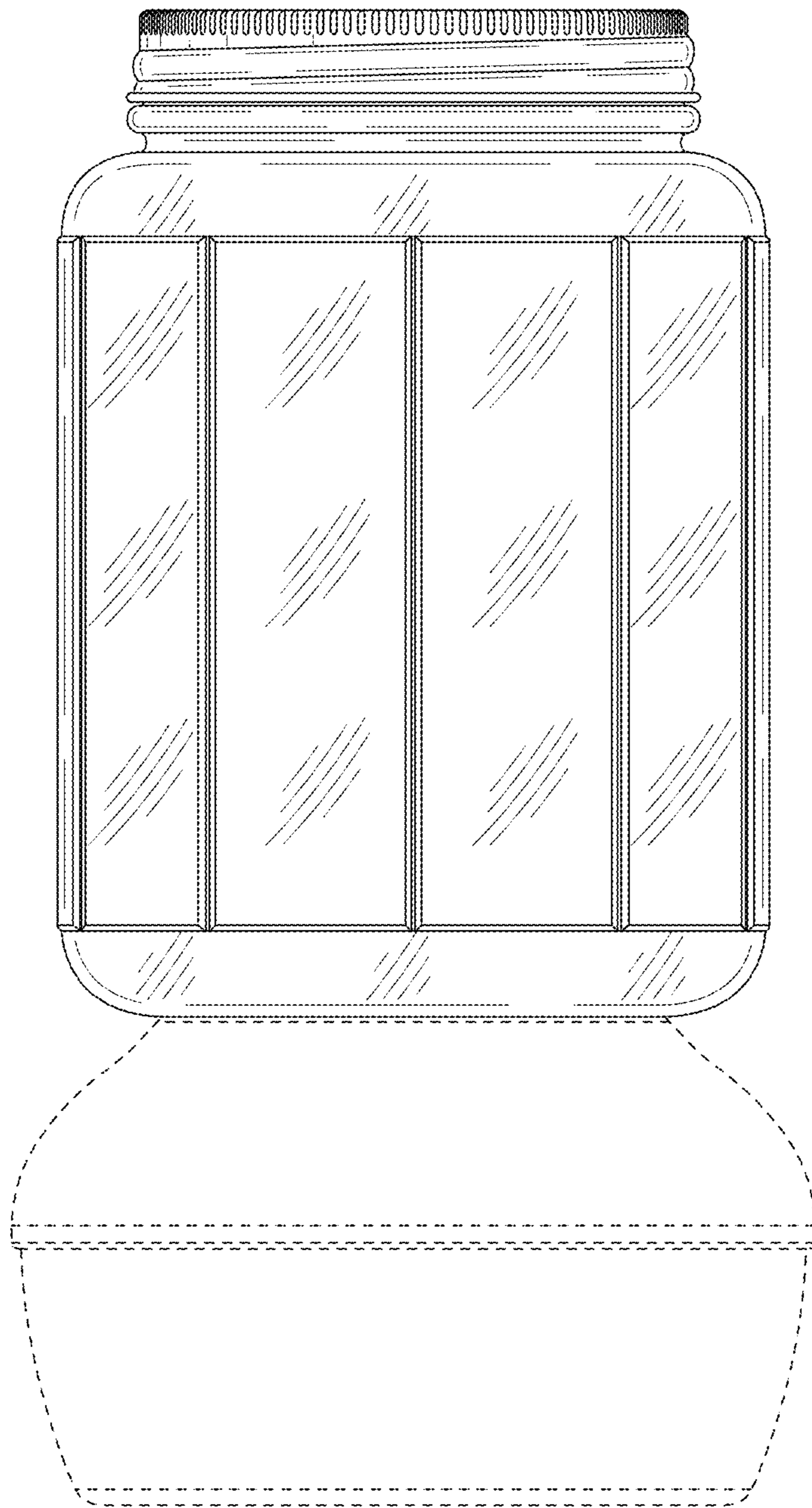


FIG. 3

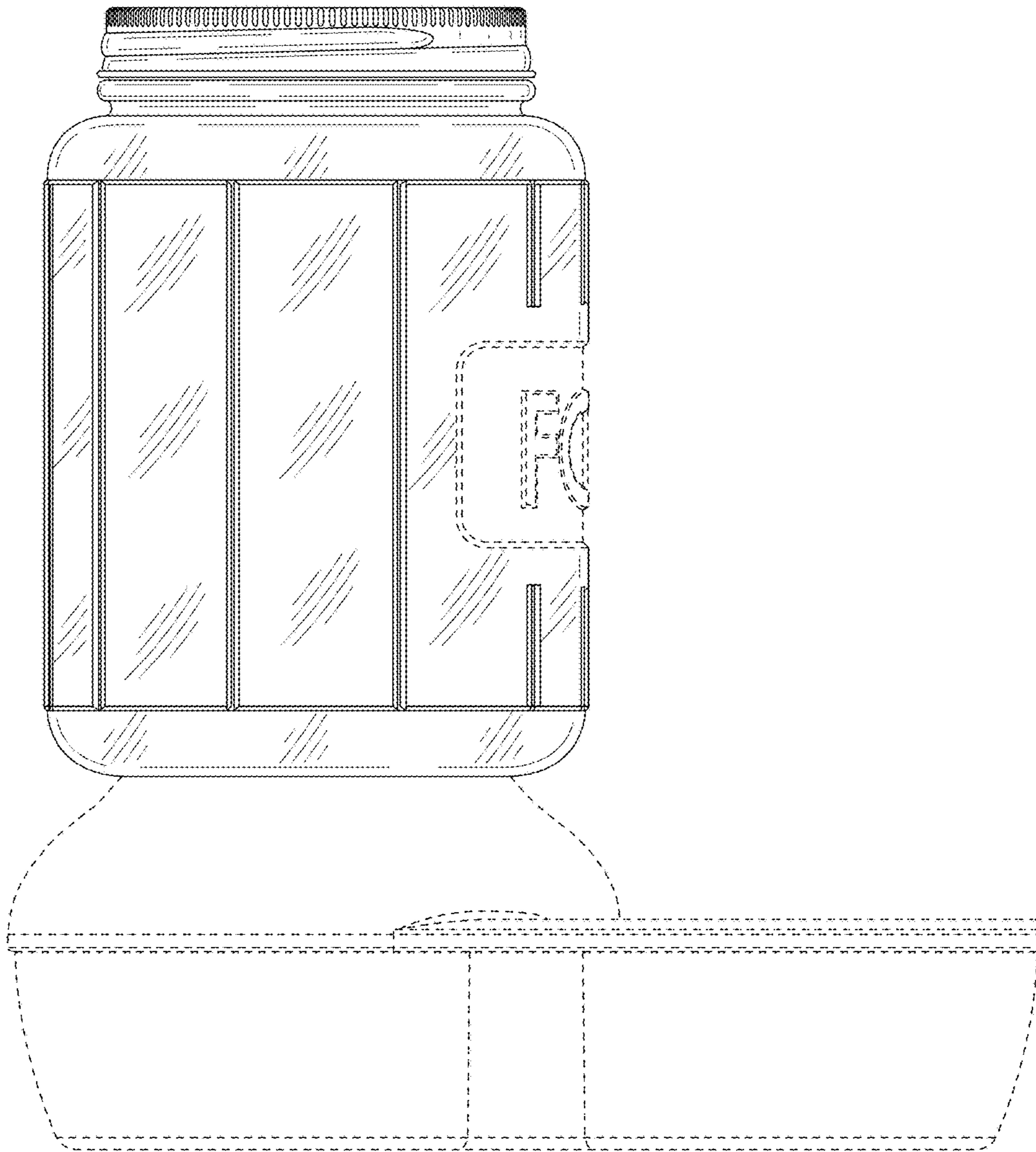


FIG. 4

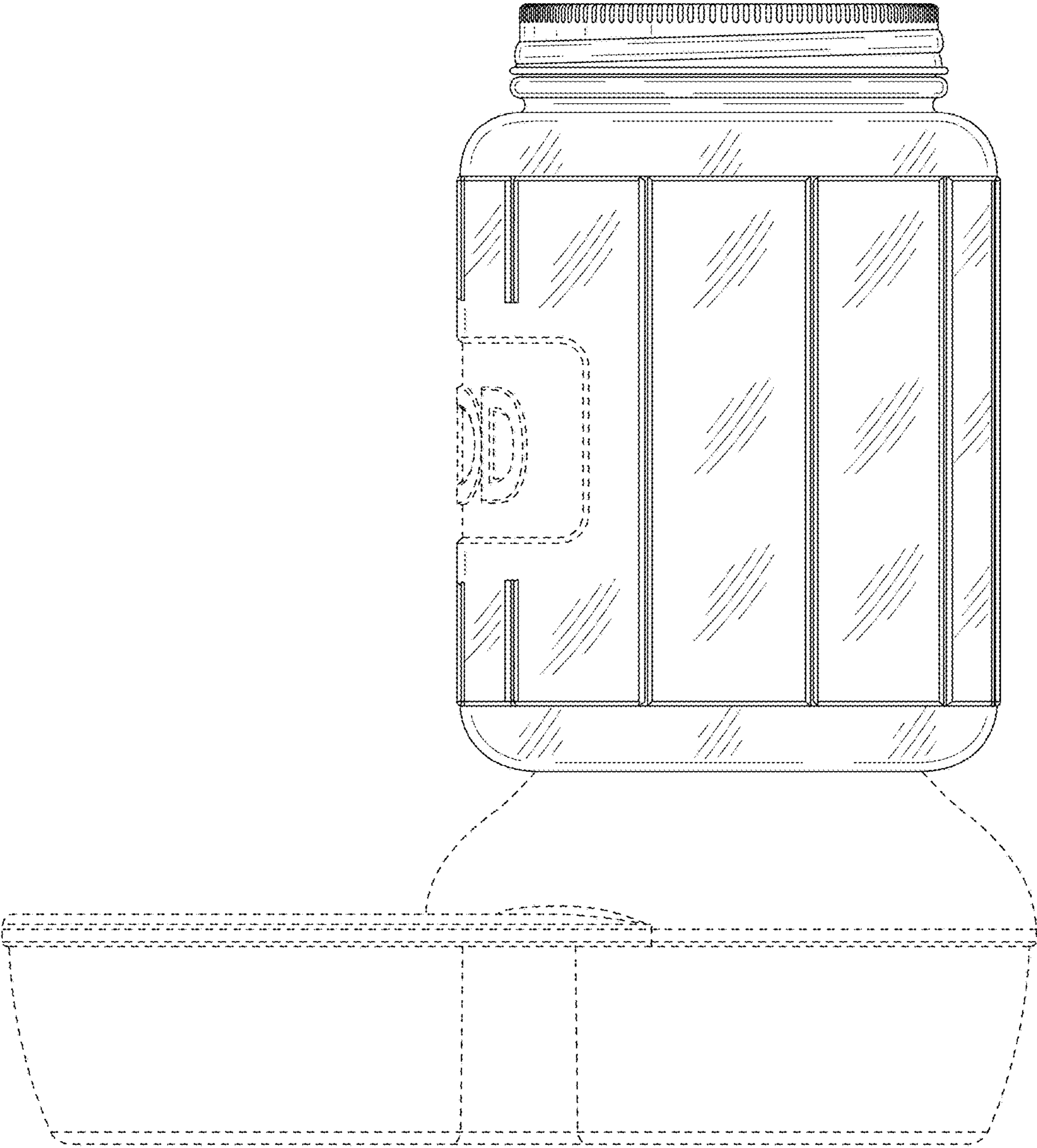


FIG. 5

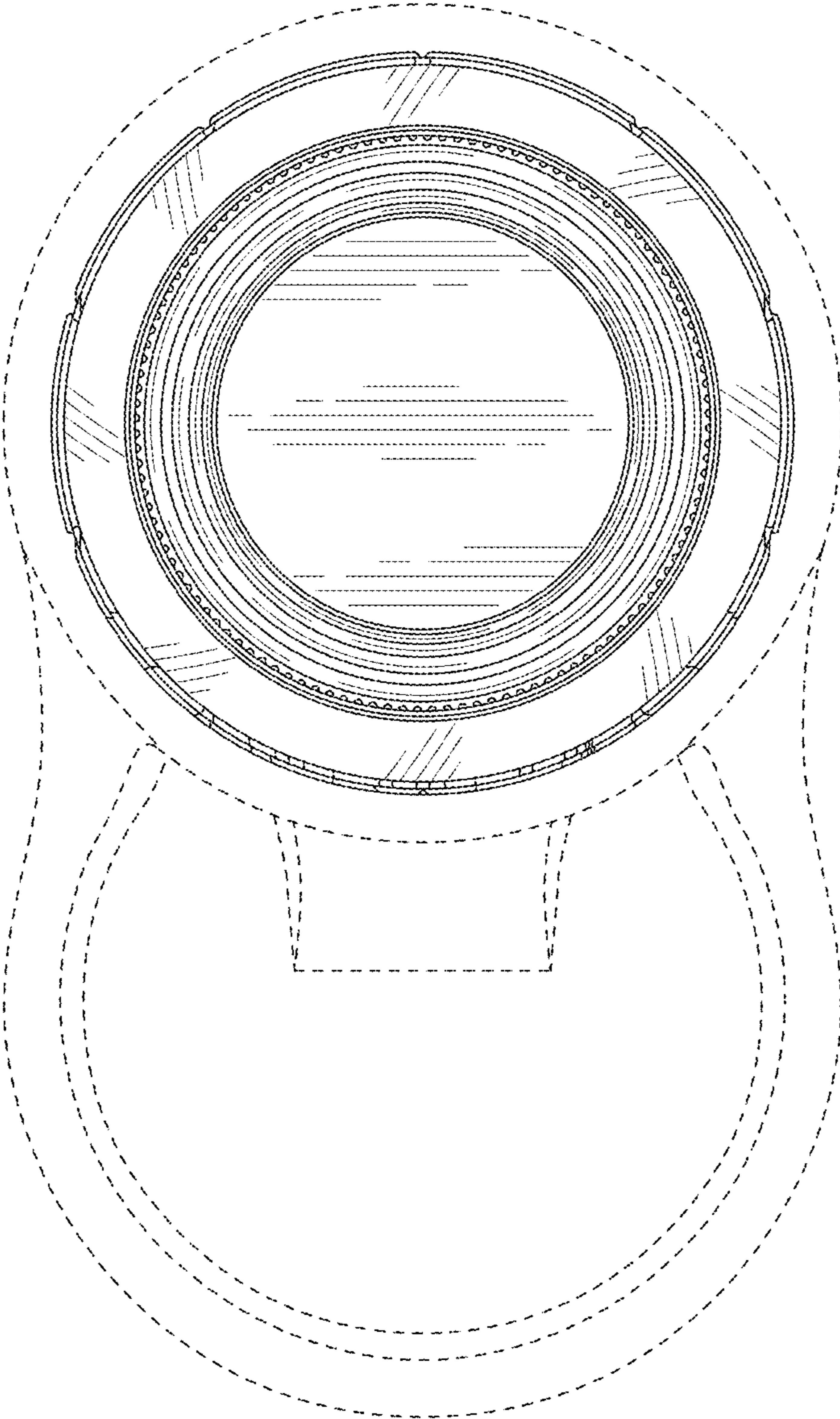


FIG. 6