



US00D786081S

(12) **United States Design Patent** (10) **Patent No.:** **US D786,081 S**  
**Albertini** (45) **Date of Patent:** **\*\* May 9, 2017**

(54) **BOTTLE FOR COSMETIC PRODUCTS**  
(71) Applicant: **GUERLAIN SOCIETE ANONYME**,  
Paris (FR)  
(72) Inventor: **Carole Albertini**, Levallois-Perret (FR)  
(\*\*) Term: **15 Years**  
(21) Appl. No.: **35/500,253**  
(22) Filed: **Oct. 16, 2015**  
(80) **Hague Agreement Data**  
Int. Filing Date: **Oct. 16, 2015**  
Int. Reg. No.: **DM/087995**  
Int. Reg. Date: **Oct. 16, 2015**  
Int. Reg. Pub. Date: **Nov. 6, 2015**

(30) **Foreign Application Priority Data**  
May 13, 2015 (EM) ..... 002700344

(51) **LOC (10) Cl.** ..... **28-03**  
(52) **U.S. Cl.**  
CPC ..... **A45D 40/261** (2013.01)  
USPC ..... **D9/529**; D28/85

(58) **Field of Classification Search**  
USPC ..... D28/76-77, 85-90; D9/529, 566, 553,  
D9/503-505, 435, 444, 560  
CPC .... A45D 40/26; A45D 40/261; A45D 40/262;  
A45D 40/264; A45D 40/265; A45D  
40/267; A45D 40/268; A45D 40/24;  
A45D 40/18; A45D 34/06  
See application file for complete search history.

(56) **References Cited**  
U.S. PATENT DOCUMENTS  
D262,768 S \* 1/1982 Bovet ..... D28/85  
D323,111 S \* 1/1992 Restrepo ..... D9/529  
D334,083 S \* 3/1993 Davis ..... D28/85  
D353,333 S \* 12/1994 McIlvain ..... D28/76

D368,661 S \* 4/1996 Hiro ..... D9/529  
5,599,124 A \* 2/1997 Ackermann ..... A45D 40/06  
401/78  
D394,210 S \* 5/1998 Fiore ..... D9/529  
D410,570 S \* 6/1999 Lerolle ..... D28/85  
D422,505 S \* 4/2000 Gavin ..... D9/529  
D425,256 S \* 5/2000 Gavin ..... D28/85  
D428,212 S \* 7/2000 Gavin ..... D28/85  
D432,268 S \* 10/2000 Gavin ..... D28/85  
D432,725 S \* 10/2000 Gavin ..... D28/85  
D479,017 S \* 8/2003 Sgariboldi ..... D28/85  
D496,496 S \* 9/2004 Ditrichstein ..... D28/85  
D501,279 S \* 1/2005 Dittmer ..... D28/85  
D513,186 S \* 12/2005 Dehaene ..... D9/529  
D522,696 S \* 6/2006 Severa ..... D28/88  
D538,478 S \* 3/2007 Chen ..... D28/85  
D538,481 S \* 3/2007 Decker ..... D28/89  
D539,982 S \* 4/2007 Nobuto ..... D28/76  
D573,892 S \* 7/2008 Moretti ..... D9/560  
D577,591 S \* 9/2008 Bouroullec ..... D9/529  
D579,336 S \* 10/2008 Gurciniene ..... D9/529  
D644,108 S \* 8/2011 Vila Calvo ..... D9/529  
D655,615 S \* 3/2012 Servaire ..... D9/451  
D661,024 S \* 5/2012 Bakic ..... D28/76  
D693,226 S \* 11/2013 Paschoal ..... D28/76  
D703,061 S \* 4/2014 de Lima Paschoal ..... D28/76  
D704,065 S \* 5/2014 de Lima Paschoal ..... D28/76  
D704,066 S \* 5/2014 de Lima Paschoal ..... D28/76

(Continued)

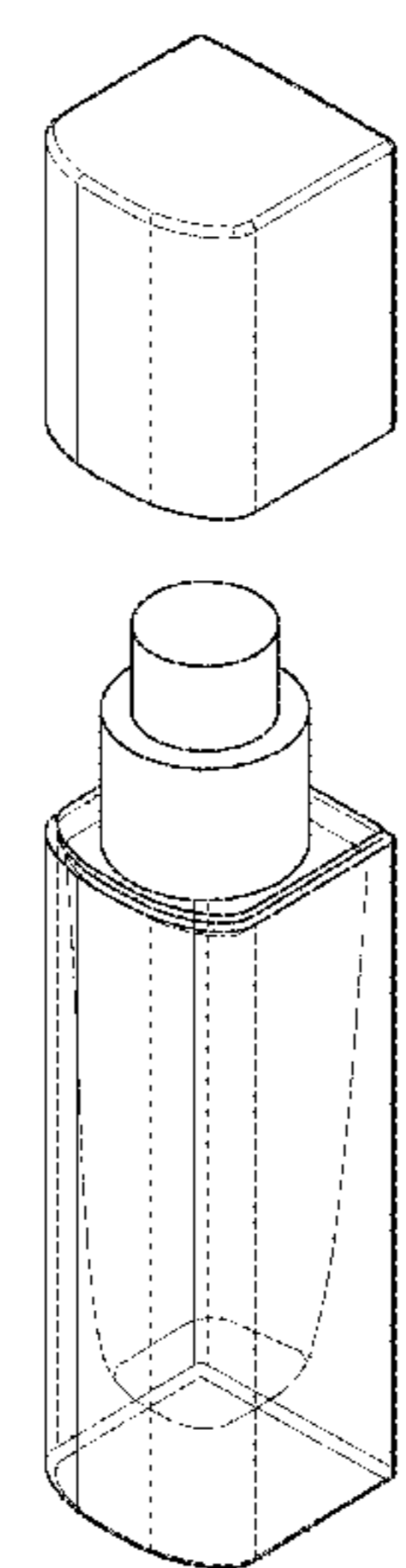
Primary Examiner — Richard E Chilcot

(57) **CLAIM**  
The ornamental design of the bottle for cosmetic products,  
as shown and described.

**DESCRIPTION**

- 1. Bottle for cosmetic products
- 1.1 : Perspective
- 1.2 : Perspective
- 1.3 : Front
- 1.4 : Back
- 1.5 : Left
- 1.6 : Top
- 1.7 : Bottom

**1 Claim, 7 Drawing Sheets**



(56)

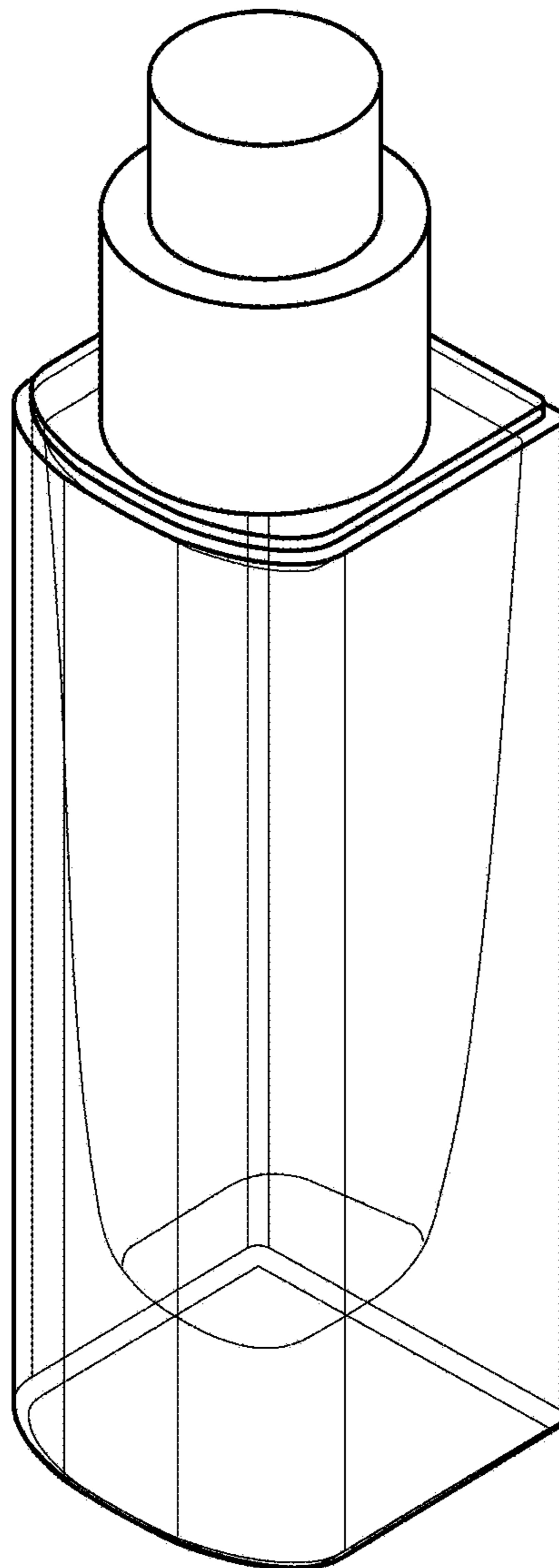
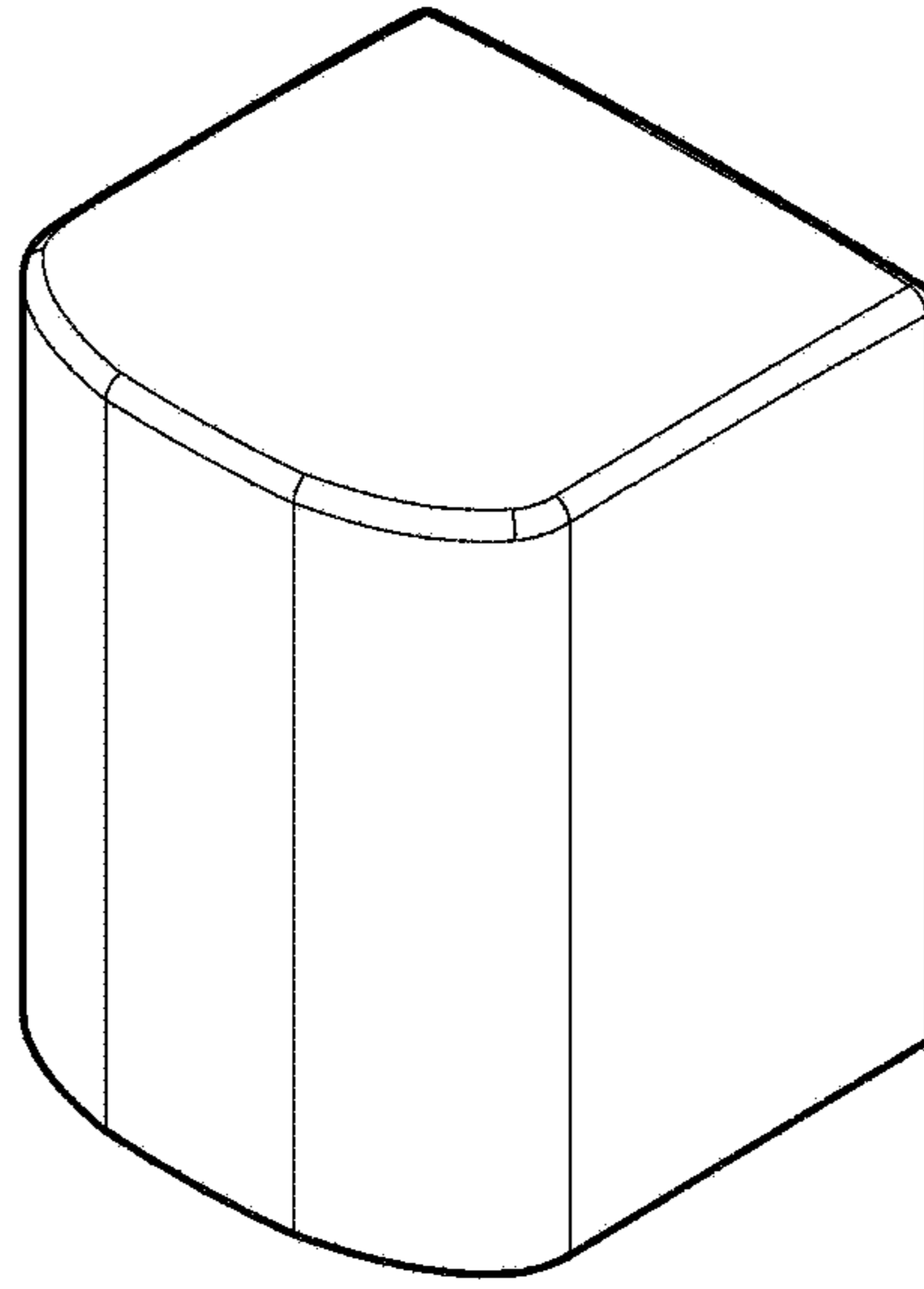
**References Cited**

U.S. PATENT DOCUMENTS

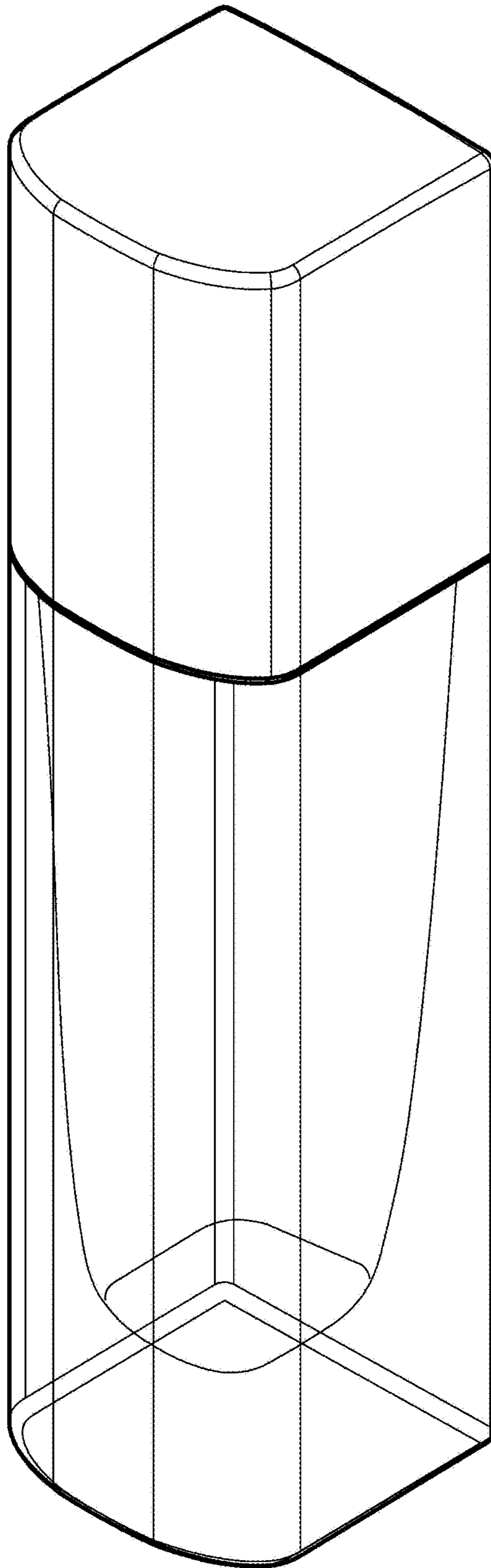
D733,564 S \* 7/2015 Sumida ..... D9/529  
D744,697 S \* 12/2015 Chertoff ..... D28/76

\* cited by examiner

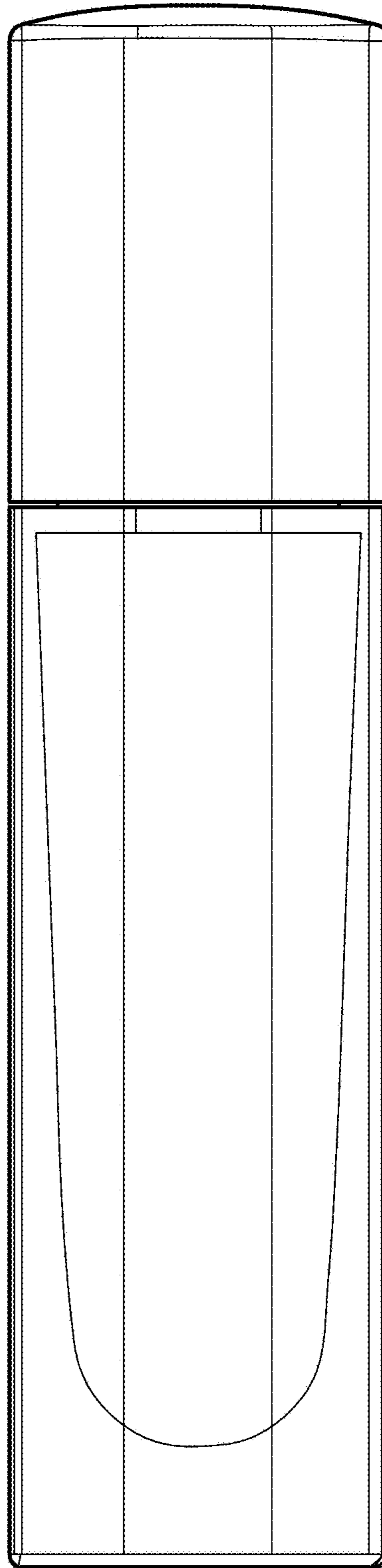
1.1



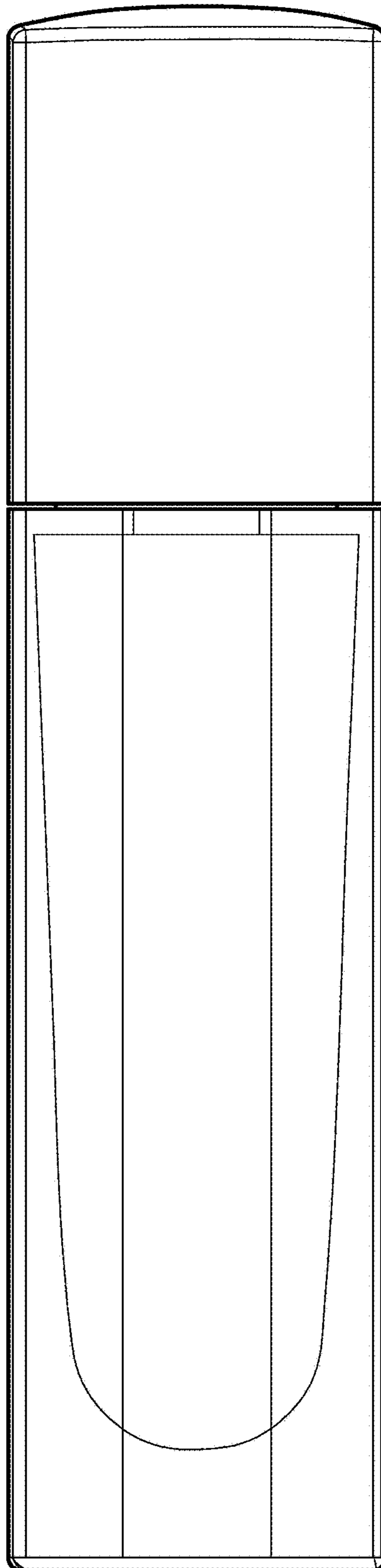
1.2



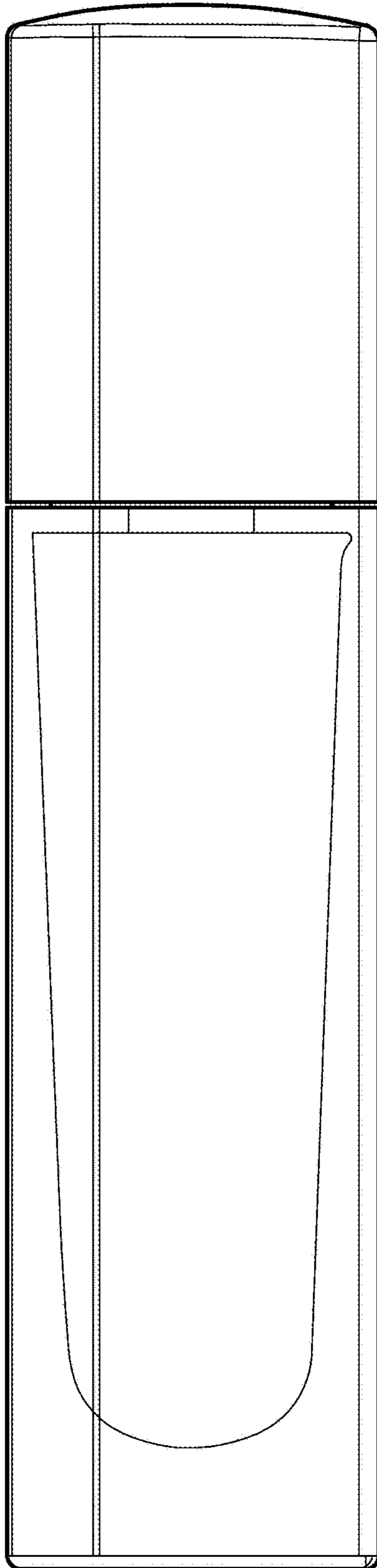
1.3



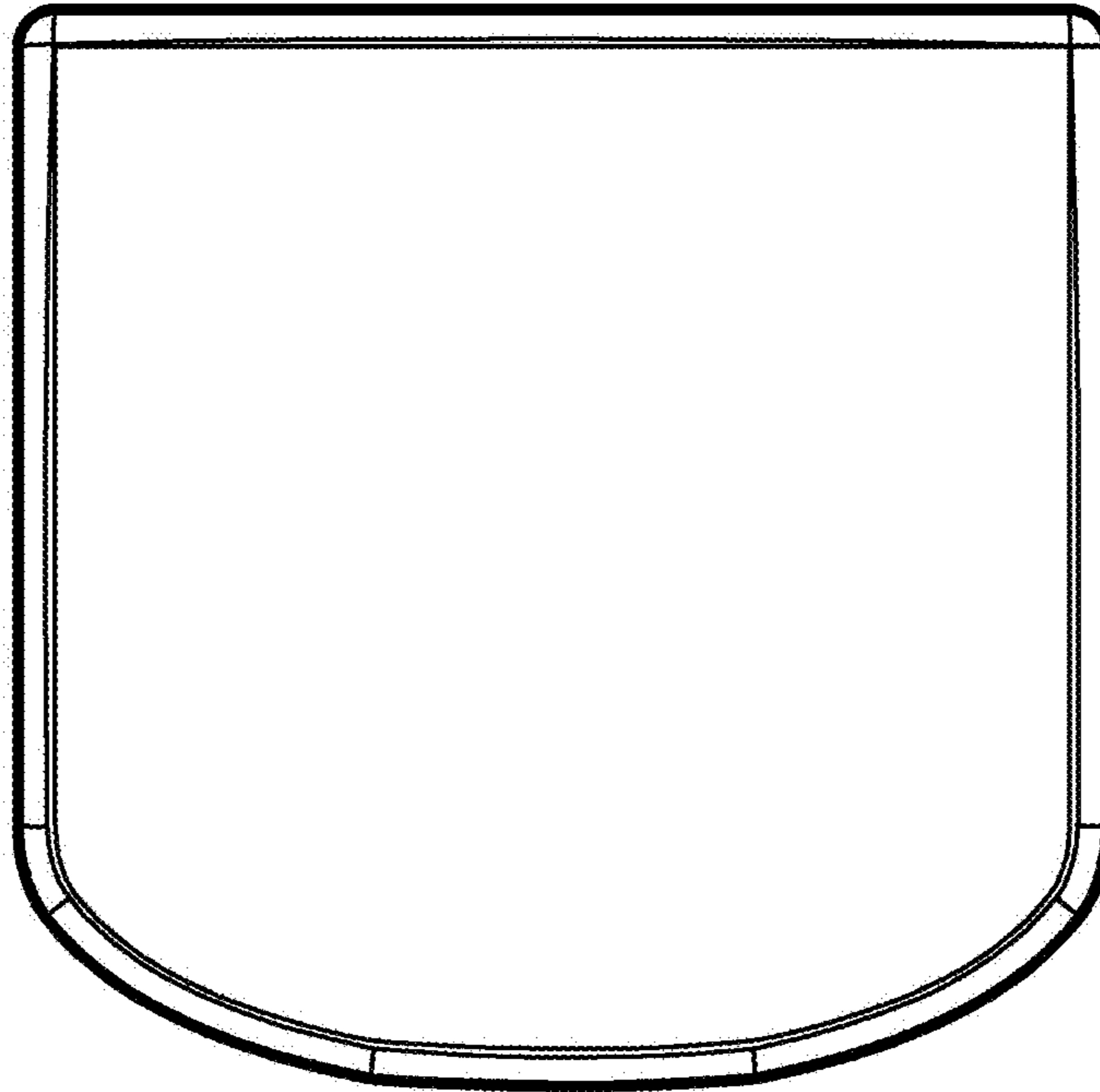
**1.4**



1.5



1.6





1.7

