



US00D786078S

(12) **United States Design Patent**  
**Futagami et al.**

(10) **Patent No.:** **US D786,078 S**

(45) **Date of Patent:** **\*\* May 9, 2017**

(54) **CONTAINER**

(71) Applicant: **KOSE Corporation**, Tokyo (JP)

(72) Inventors: **Mami Futagami**, Tokyo (JP); **Naoko Akai**, Tokyo (JP); **Kazuhiro Niikura**, Tokyo (JP)

(73) Assignee: **KOSE CORPORATION**, Tokyo (JP)

(\*\*) Term: **15 Years**

(21) Appl. No.: **29/528,338**

(22) Filed: **May 28, 2015**

(30) **Foreign Application Priority Data**

Dec. 2, 2014 (JP) ..... 2014-026936

(51) **LOC (10) Cl.** ..... **09-01**

(52) **U.S. Cl.**  
USPC ..... **D9/529; D9/560; D9/574; D28/8; D28/83**

(58) **Field of Classification Search**

USPC ..... D9/434, 435, 436, 449, 454, 500-505, D9/516, 529, 549, 558, 682, 686, 688, D9/690, 715; D28/4, 73, 76, 82, 85, D28/91.1, 8, 83

CPC .... B65D 83/205; B65D 83/384; B65D 83/75; B65D 2543/00092

See application file for complete search history.

(56) **References Cited**

**U.S. PATENT DOCUMENTS**

D171,516 S \* 2/1954 Otto ..... D9/560  
D264,311 S \* 5/1982 Thompson ..... D9/529  
D391,857 S \* 3/1998 Fiore ..... D9/529  
D478,513 S \* 8/2003 Canamasas Puigbo ..... D9/529  
D498,421 S \* 11/2004 Kostow ..... D9/529  
D510,863 S \* 10/2005 Juhng ..... D9/436

D535,104 S \* 1/2007 Chen ..... D4/116  
D540,688 S \* 4/2007 Lascaux ..... D9/560  
D545,208 S \* 6/2007 Modjeski ..... D9/452  
D559,690 S \* 1/2008 Canamasas Puigbo ..... D9/529  
D570,221 S \* 6/2008 Moretti ..... D9/454  
D577,292 S \* 9/2008 Moretti ..... D9/560  
D579,784 S \* 11/2008 Varlet ..... D9/544  
D582,291 S \* 12/2008 de Baschmakoff ..... D9/560  
D601,027 S \* 9/2009 Courtaigne Delalande ... D9/529  
D604,630 S \* 11/2009 Canamasas Puigbo ..... D9/560  
D645,350 S \* 9/2011 Degeyter ..... D9/454  
D668,143 S \* 10/2012 Akana ..... D14/496  
D672,554 S \* 12/2012 Penttinen ..... D3/273  
D679,428 S \* 4/2013 Bonang ..... D26/27  
D680,878 S \* 4/2013 Ford ..... D9/529  
D709,652 S \* 7/2014 Teller ..... D28/83  
D734,550 S \* 7/2015 Schlatter ..... D28/83  
D742,593 S \* 11/2015 Corey ..... D28/83

(Continued)

*Primary Examiner* — Ian Simmons

*Assistant Examiner* — Keith Frank

(74) *Attorney, Agent, or Firm* — Bacon & Thomas, PLLC

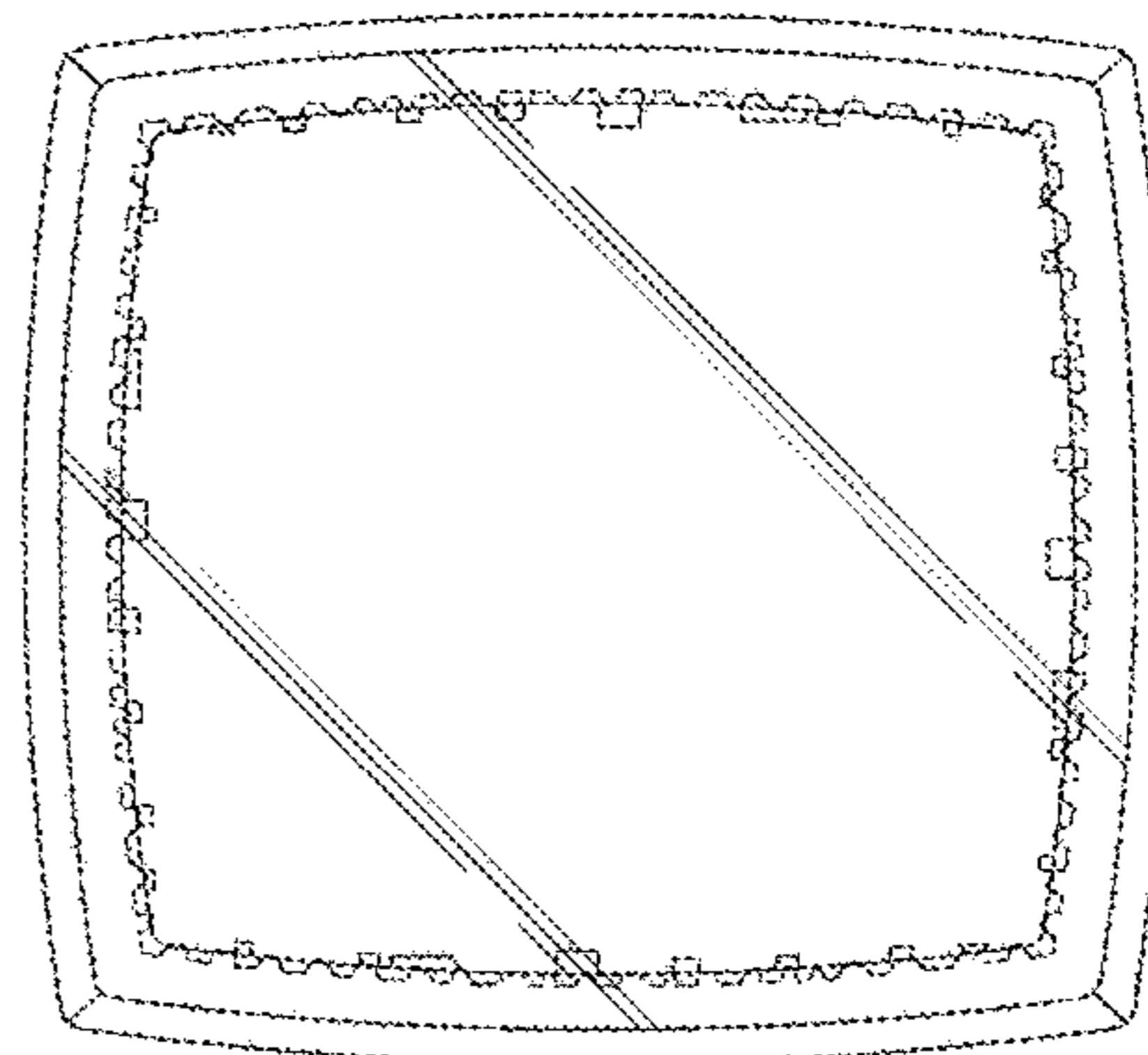
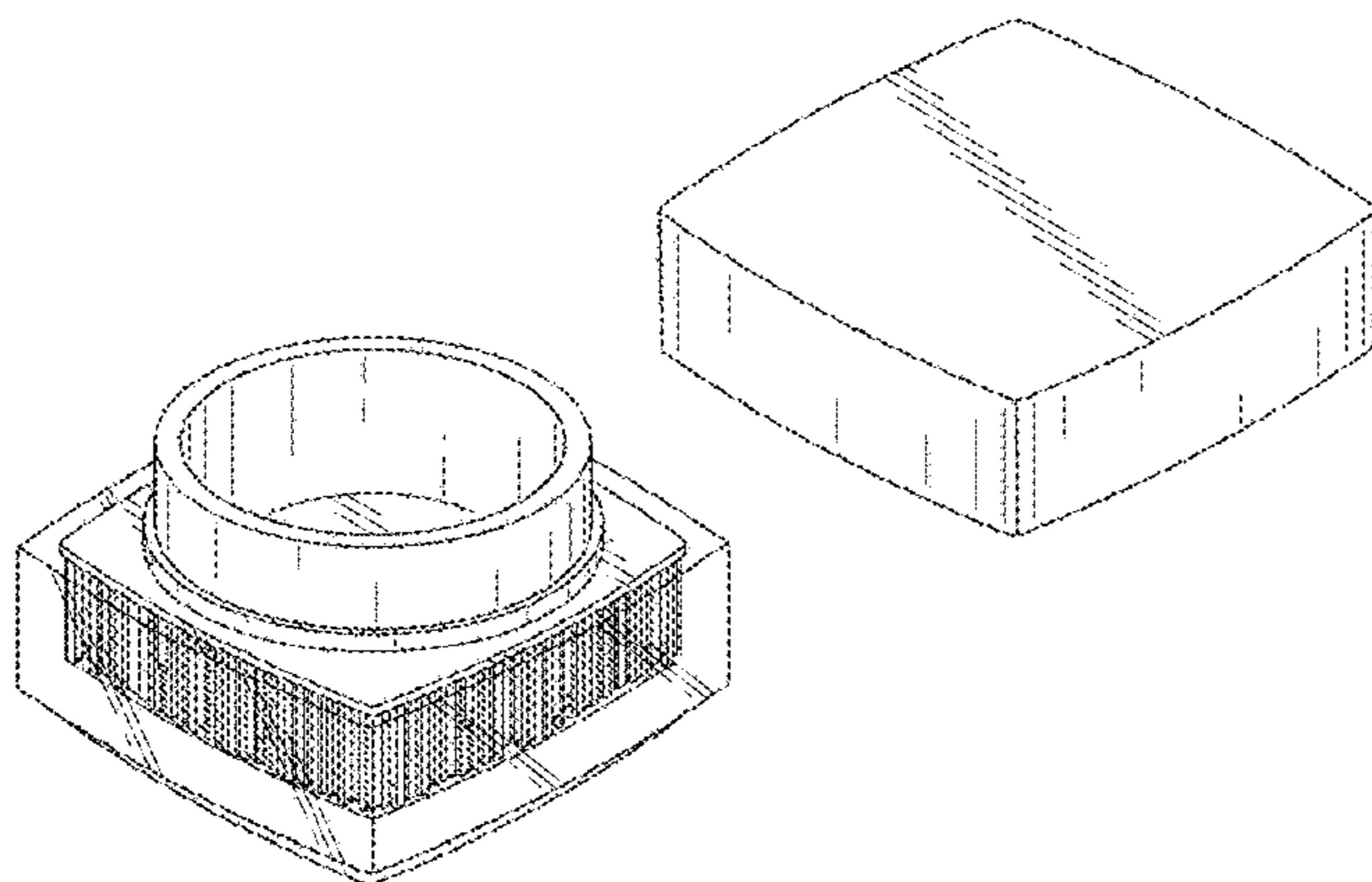
(57) **CLAIM**

The ornamental design for a container, as shown and described.

**DESCRIPTION**

FIG. 1 is a perspective view of the Invention.  
FIG. 2 is an exploded perspective view of the Invention.  
FIG. 3 is a front view of the Invention, the rear view of the Invention appears identical with the front view.  
FIG. 4 is a top plan view of the Invention.  
FIG. 5 is a bottom plan view of the Invention.  
FIG. 6 is a right side view of the Invention, the left side view of the Invention appears identical with the right side view.  
FIG. 7 is a sectional view taken in the direction of line 7-7 of FIG. 3; and,  
FIG. 8 is a sectional view taken in the direction of line 8-8 of FIG. 3.

**1 Claim, 8 Drawing Sheets**



(56)

**References Cited**

U.S. PATENT DOCUMENTS

2002/0181248 A1\* 12/2002 Chen ..... A63H 33/22  
362/567  
2005/0011895 A1\* 1/2005 Lin ..... B65D 51/245  
220/300

\* cited by examiner

FIG. 1

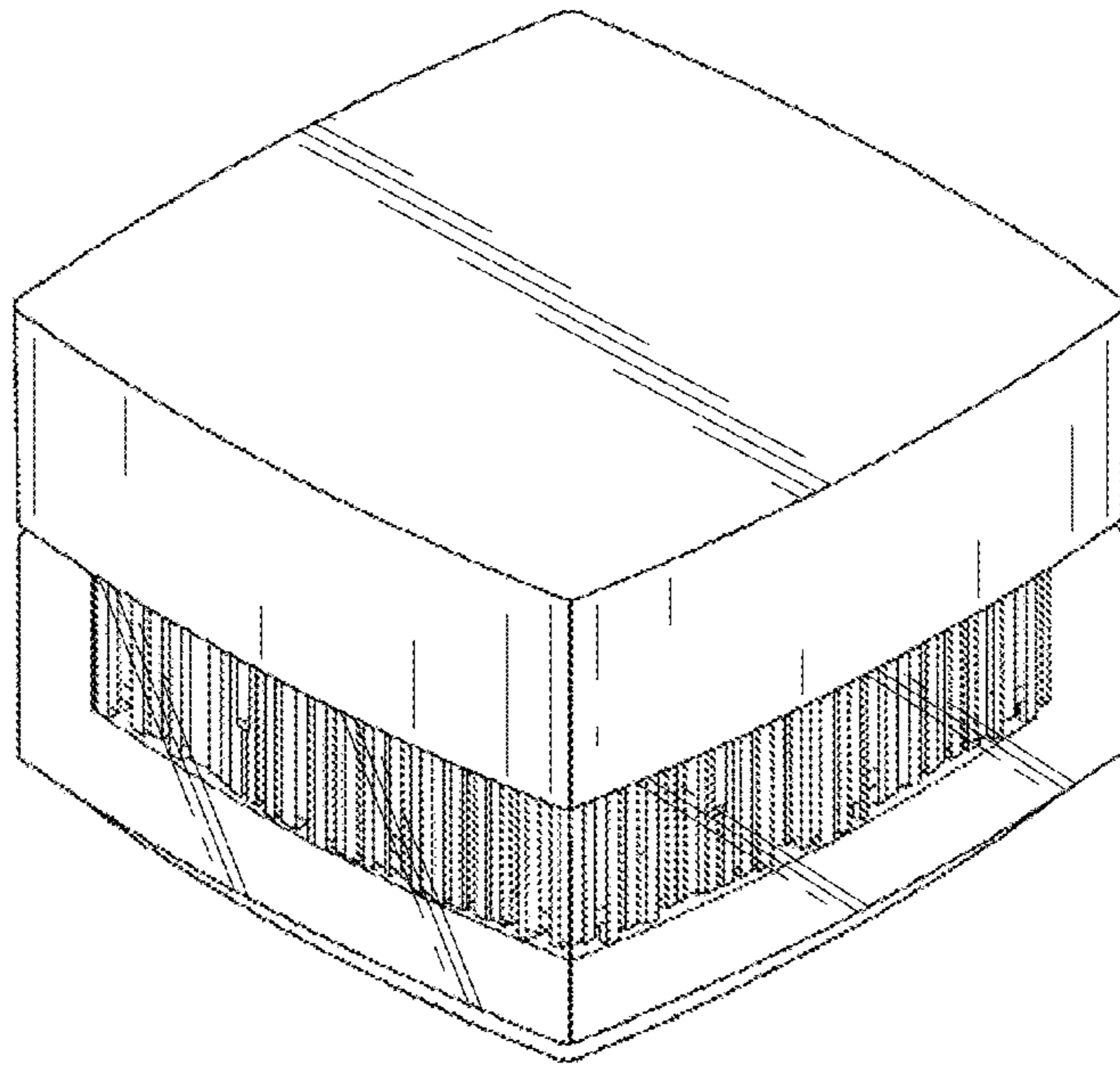


FIG. 2

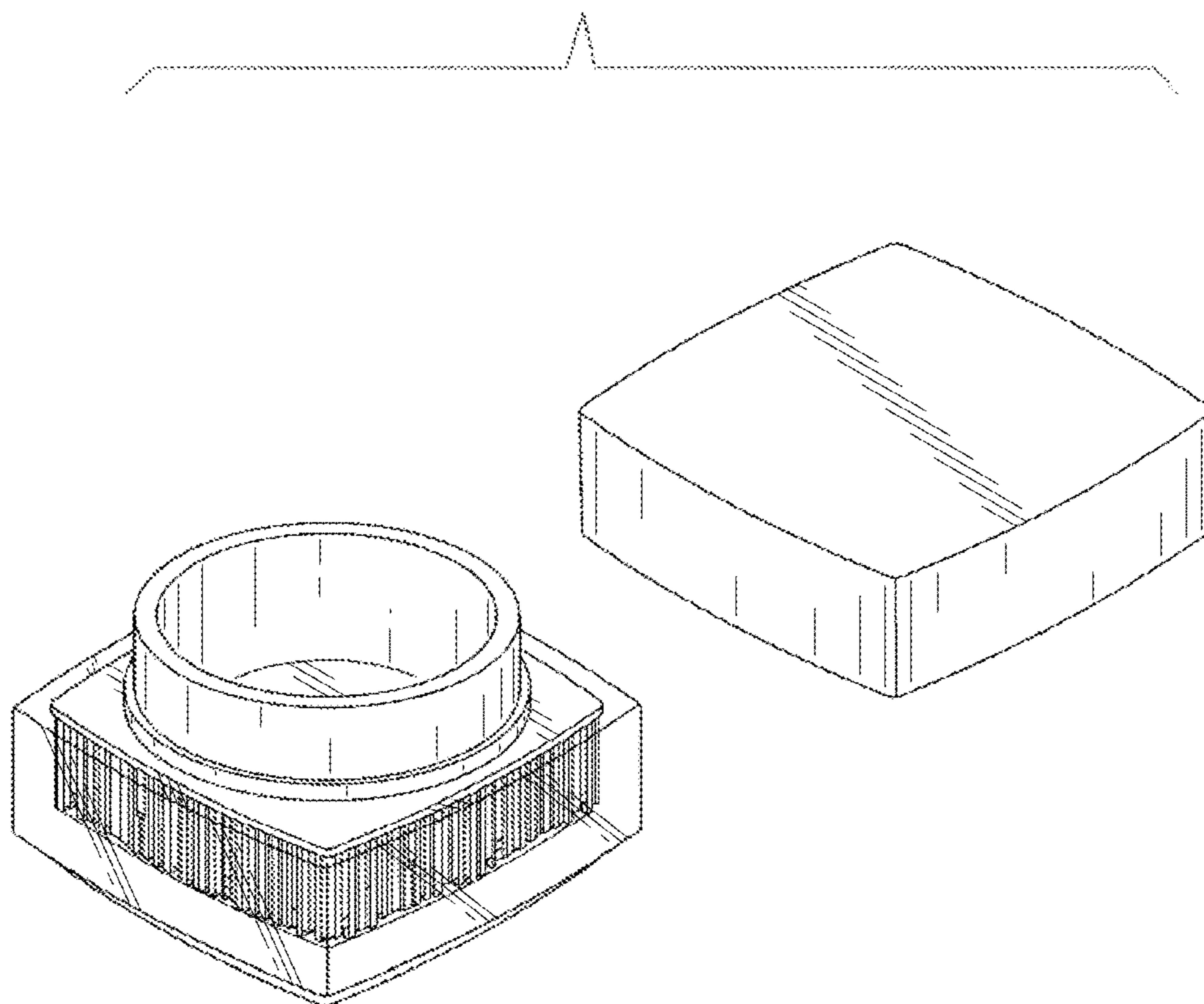


FIG. 3

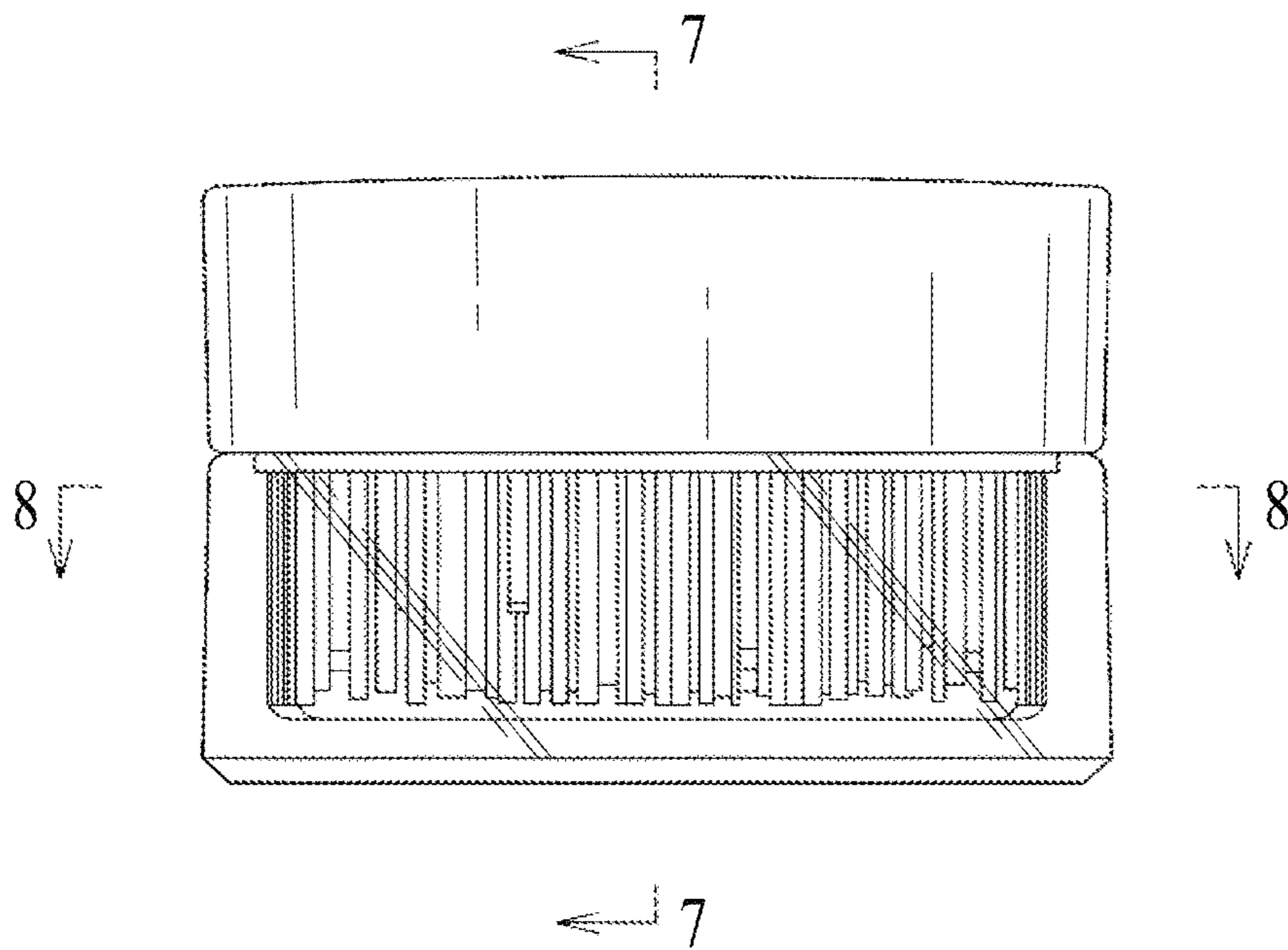


FIG. 4

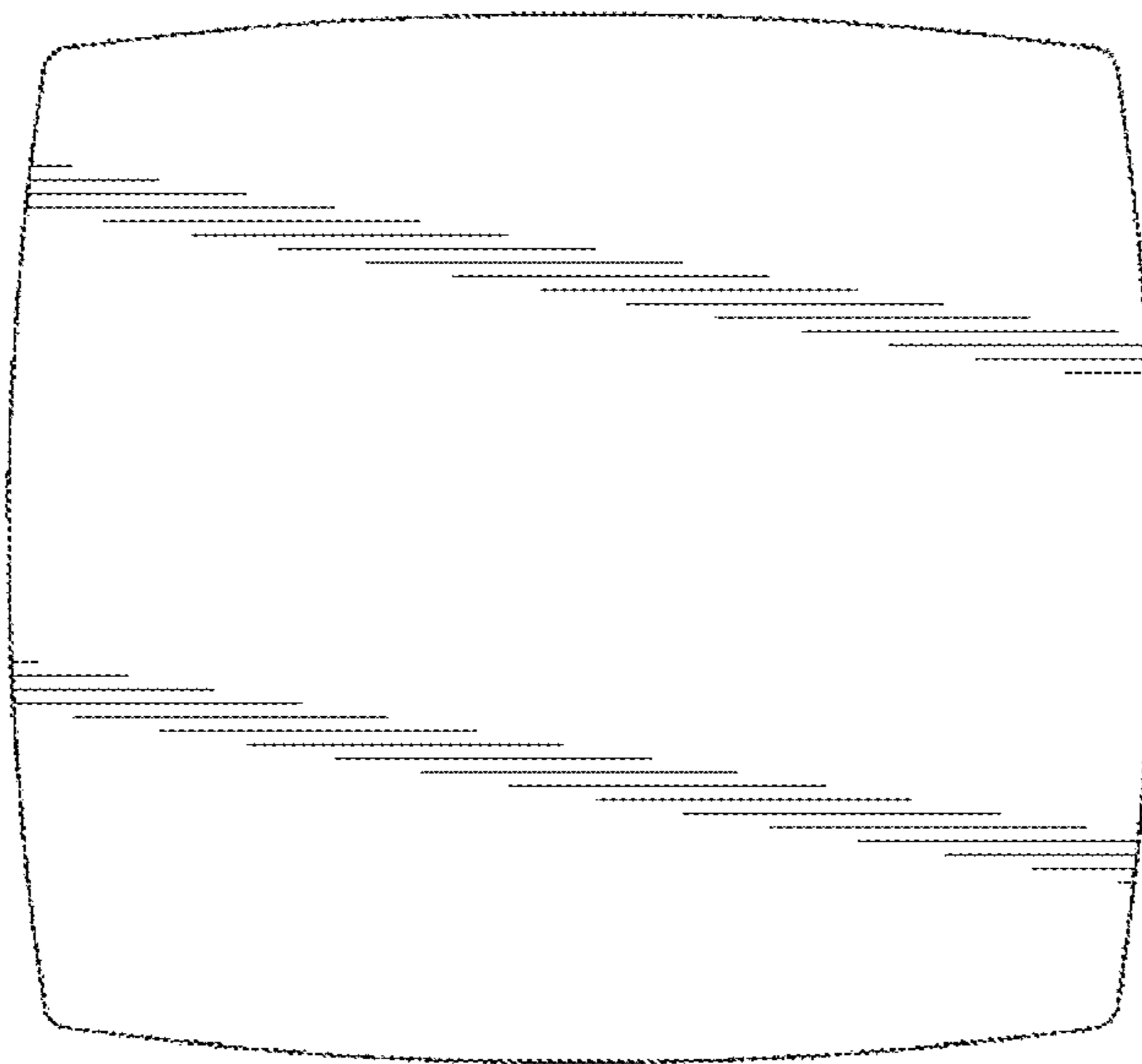


FIG. 5

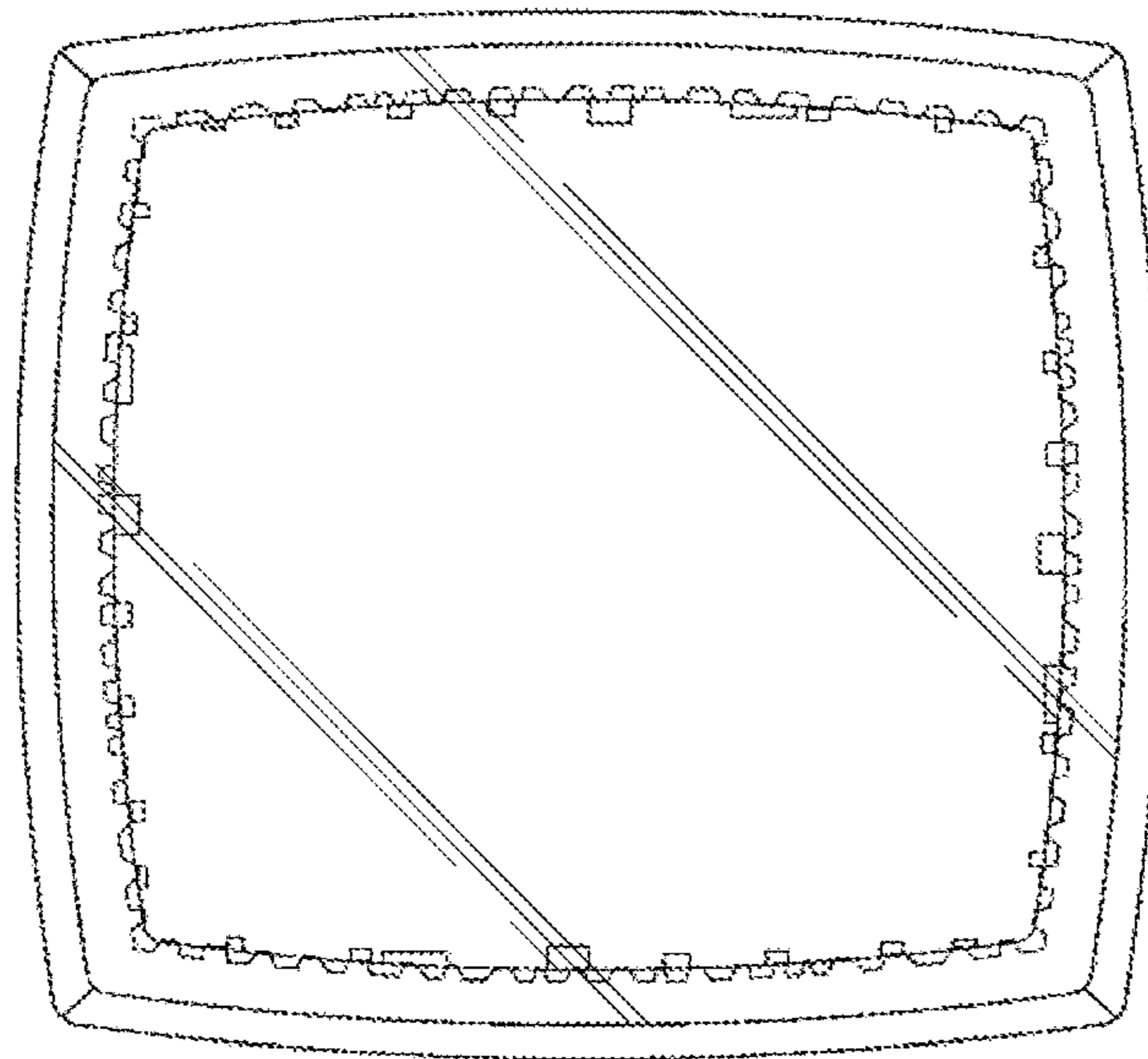


FIG. 6

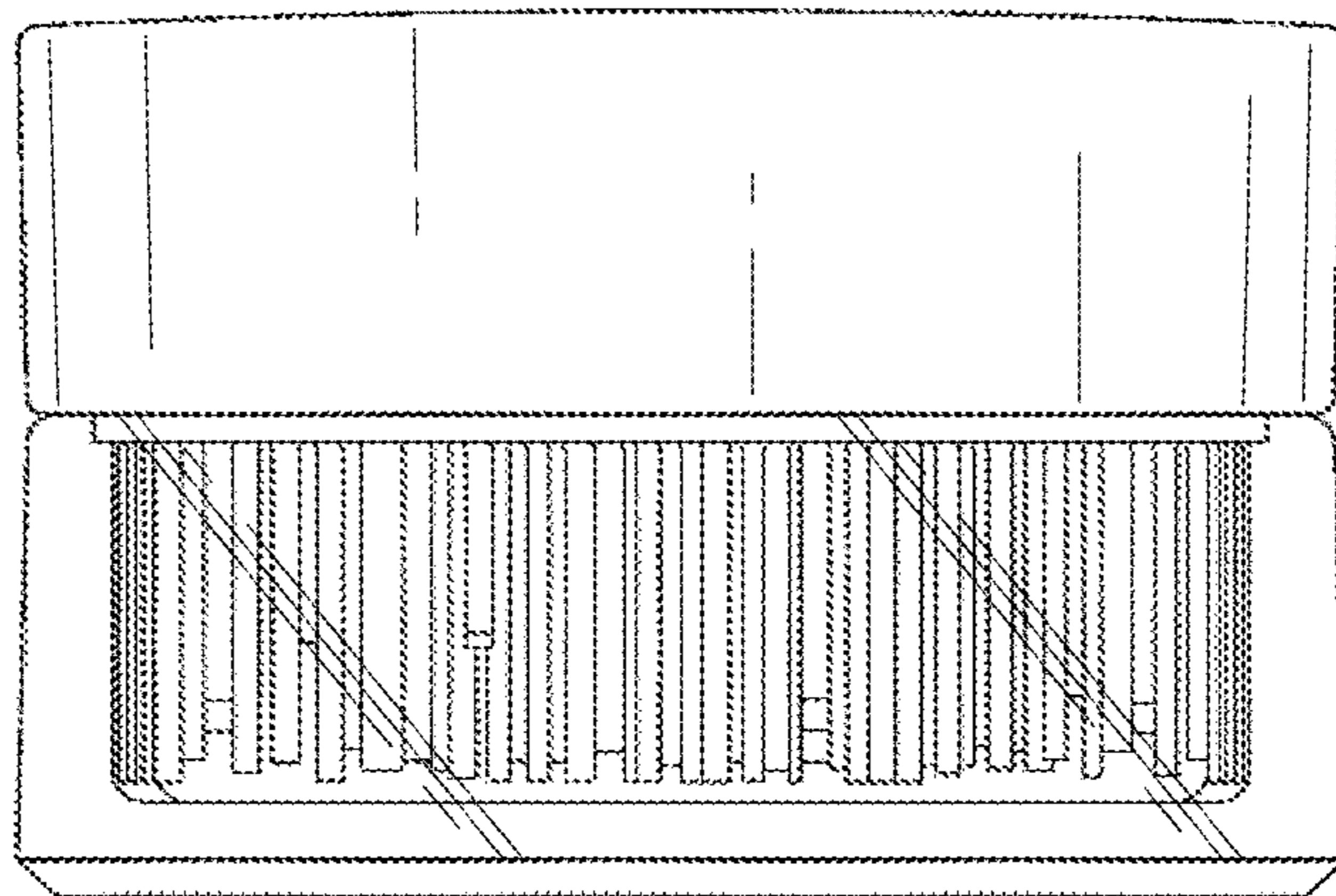




FIG. 7

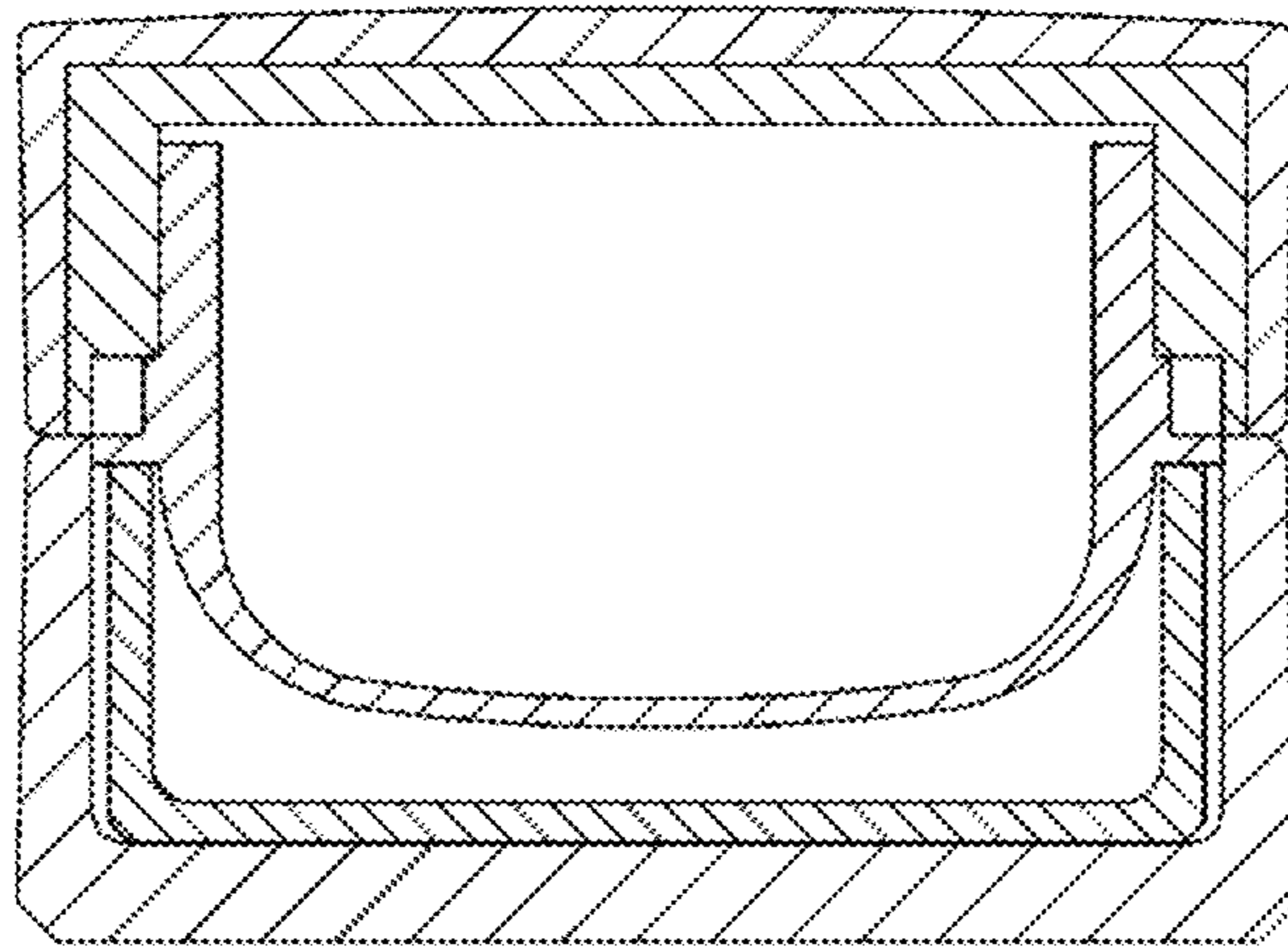


FIG. 8

