



US00D786077S

(12) **United States Design Patent** (10) **Patent No.:** **US D786,077 S**  
**Chung** (45) **Date of Patent:** **\*\* May 9, 2017**

(54) **LUBRICANT CONTAINER**  
(71) Applicant: **SK Lubricants Co., Ltd.**, Seoul (KR)  
(72) Inventor: **Soo Chung**, Seoul (KR)  
(73) Assignee: **SK Lubricants Co., Ltd.**, Seoul (KR)  
(\*\*) Term: **15 Years**  
(21) Appl. No.: **29/560,840**

D477,783 S \* 7/2003 Gilmore ..... D9/523  
D481,637 S \* 11/2003 Desouza ..... D9/520  
D484,056 S \* 12/2003 Wiper ..... D9/523  
D496,863 S \* 10/2004 Aldrey R. .... D9/523  
D501,637 S \* 2/2005 Miller ..... D9/563  
D510,870 S \* 10/2005 Kelly ..... D9/523  
D555,481 S \* 11/2007 Tseng ..... D9/523  
D586,656 S \* 2/2009 Mount ..... D9/417  
D587,585 S \* 3/2009 Snyder ..... D9/523  
D589,806 S \* 4/2009 Snyder ..... D9/523  
D595,579 S \* 7/2009 Feen ..... D9/516

(Continued)

(22) Filed: **Apr. 11, 2016**  
(30) **Foreign Application Priority Data**  
Mar. 9, 2016 (KR) ..... 3020160010755  
(51) **LOC (10) Cl.** ..... **09-01**  
(52) **U.S. Cl.**  
USPC ..... **D9/523; D23/211**  
(58) **Field of Classification Search**  
USPC ..... D9/563, 570, 530, 537, 539, 545, 550,  
D9/551, 553, 554, 555, 556, 558, 559,  
D9/564, 572, 573, 574, 575; D7/507,  
D7/509, 511, 523, 534, 538, 540, 542,  
D7/545, 554, 302, 317, 321; D3/202;  
D23/211, 211.1, 211.2, 255, 205, 260  
CPC ..... B65D 1/04; B65D 47/06; B65D 84/3283;  
B65D 83/28; B65D 83/345; B65D 83/40;  
B65D 83/68; B65D 25/52  
See application file for complete search history.

(56) **References Cited**  
U.S. PATENT DOCUMENTS  
D328,431 S \* 8/1992 Skidmore ..... D9/417  
D333,981 S \* 3/1993 Brown ..... D9/528  
D337,946 S \* 8/1993 Bridger ..... D9/523  
D353,334 S \* 12/1994 Brown ..... D9/528  
D358,993 S \* 6/1995 Hot ..... D9/523  
D390,983 S \* 2/1998 Petruzzi ..... D26/38  
D454,308 S \* 3/2002 Scheida ..... D9/523  
D455,350 S \* 4/2002 Hopley ..... D9/543

**OTHER PUBLICATIONS**

Under Its Own Brand: SK Lubricants Exports Lubricant Brand 'ZIC' to the Middle East, posted on businesskorea.co.kr, posed on May 13, 2016, no production date given, [online], [site visited Aug. 28, 2016], Available from Internet, <URL: <http://www.businesskorea.co.kr/english/news/industry/14669-under-its-own-brand-sk-lubricants-exports-lubricant-brand->>\*

(Continued)

*Primary Examiner* — Melanie H Tung  
*Assistant Examiner* — Fritzgerald Butac  
(74) *Attorney, Agent, or Firm* — Hauptman Ham, LLP

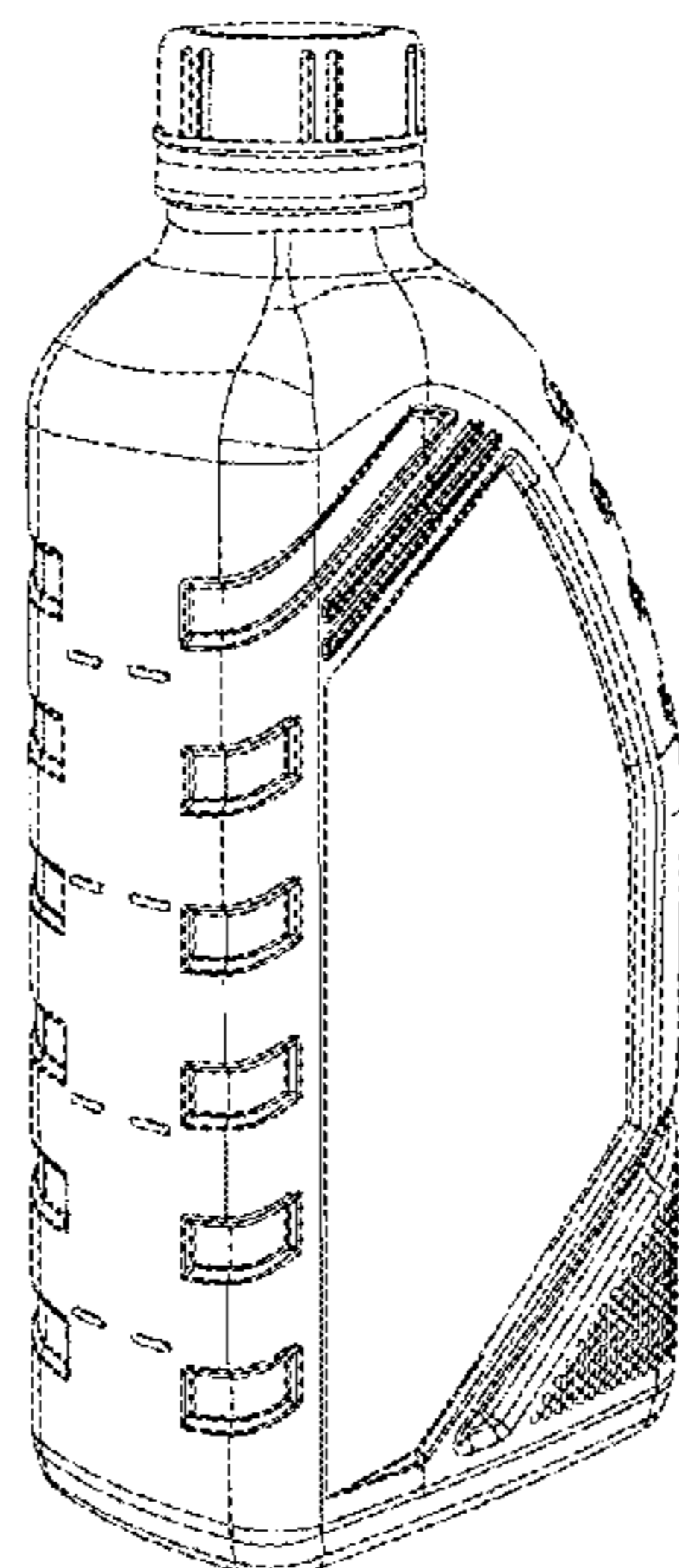
(57) **CLAIM**

The ornamental design for a lubricant container, as shown and described.

**DESCRIPTION**

FIG. 1 is a perspective view of a lubricant container showing my new design;  
FIG. 2 is a front elevational view thereof;  
FIG. 3 is a rear elevational view thereof;  
FIG. 4 is a left side elevational view thereof;  
FIG. 5 is a right side elevational view thereof;  
FIG. 6 is a top plan view thereof;  
FIG. 7 is a bottom plan view thereof; and,  
FIG. 8 is another perspective view thereof.

**1 Claim, 7 Drawing Sheets**



(56)

**References Cited**

U.S. PATENT DOCUMENTS

D600,561 S	*	9/2009	Feen .....	D9/541
D600,564 S	*	9/2009	da Barp .....	D9/523
D705,662 S	*	5/2014	Martin .....	D9/523
D722,269 S	*	2/2015	Hughes .....	D9/516
D752,986 S	*	4/2016	Bos .....	D9/541
D761,116 S	*	7/2016	Berger .....	D9/563
D770,903 S	*	11/2016	Berger .....	D9/563

OTHER PUBLICATIONS

ZIC M5 20W-40 (VHVI Tech), posted on zicoil.pk, no posted date given, no production date given, [online], [site visited Dec. 28, 2016], Available from Internet, <URL: <http://zicoil.pk/product/zic-m5-4t-20w-40-vhvi-tech/>>.\*

Silkolene 2-Stroke Scooter Engine Oil, Scoot Sport 2, Super Scoot, 1 Litre, posted on bikenation.co.uk, no posted date given, no production date given, [online], [site visited Dec. 28, 2016], Available from Internet, <URL: <http://www.bikenation.co.uk/silkolene-2-stroke-scooter-engine-oil-scoot-sport-2-super-scoot-1-liter/>>.\*

\* cited by examiner

FIG. 1

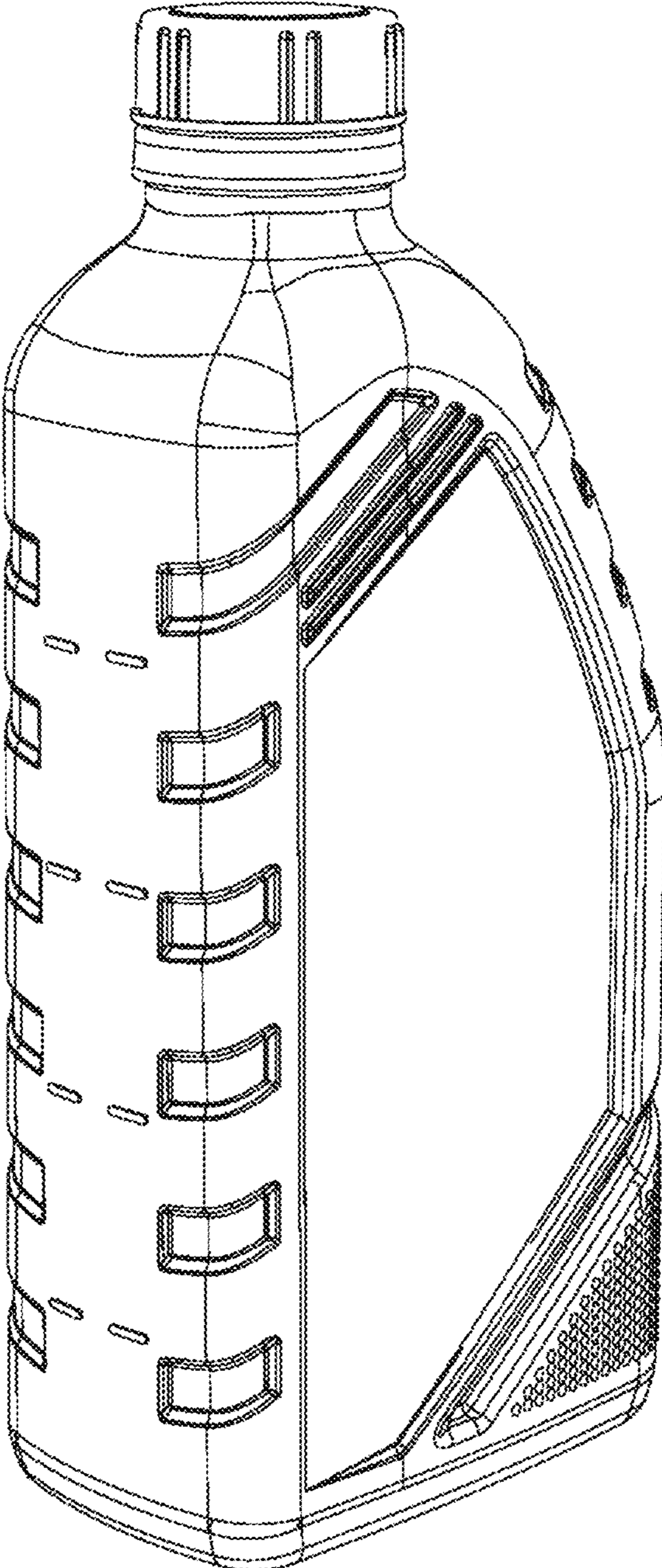


FIG. 2

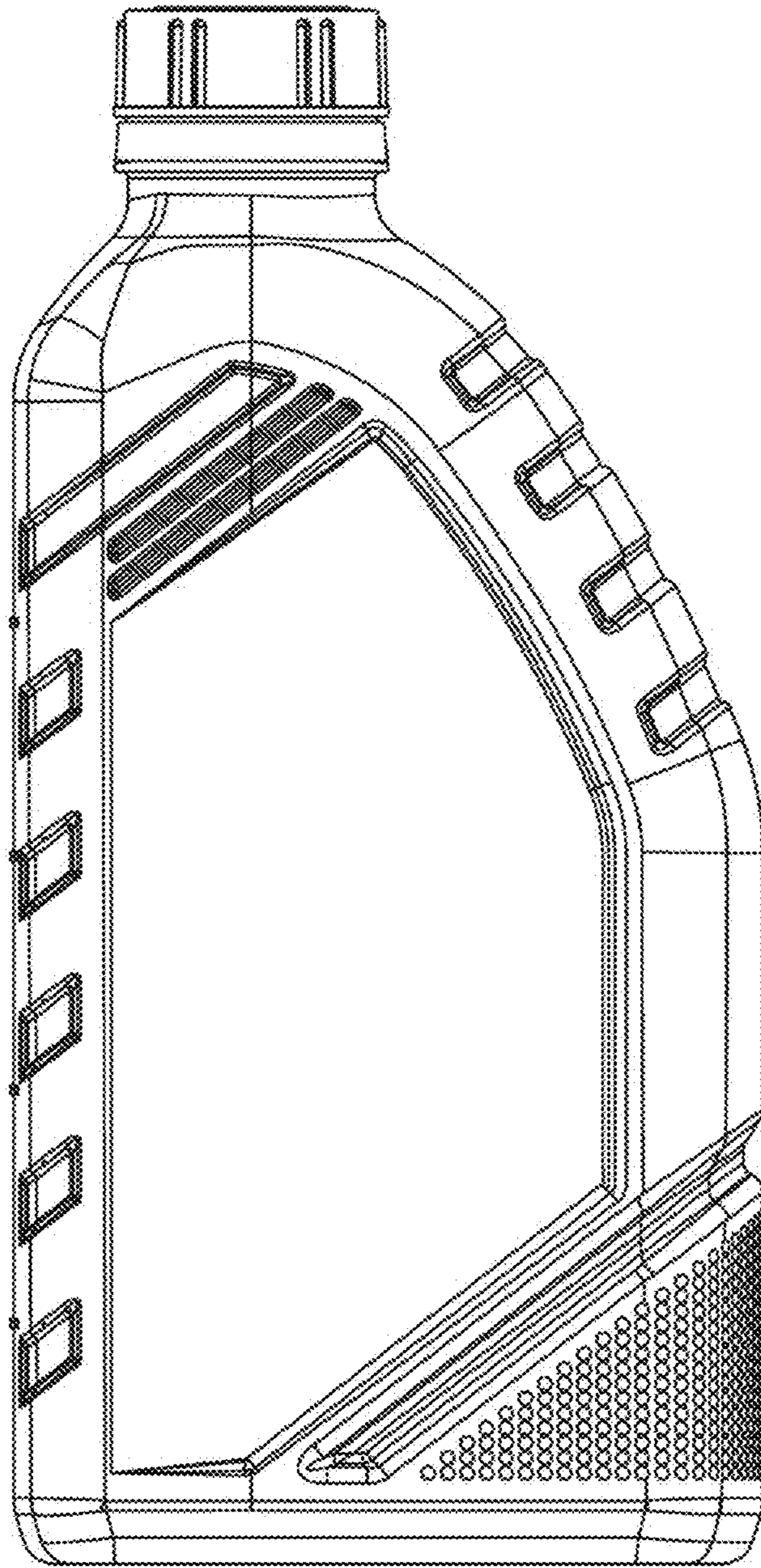


FIG. 3

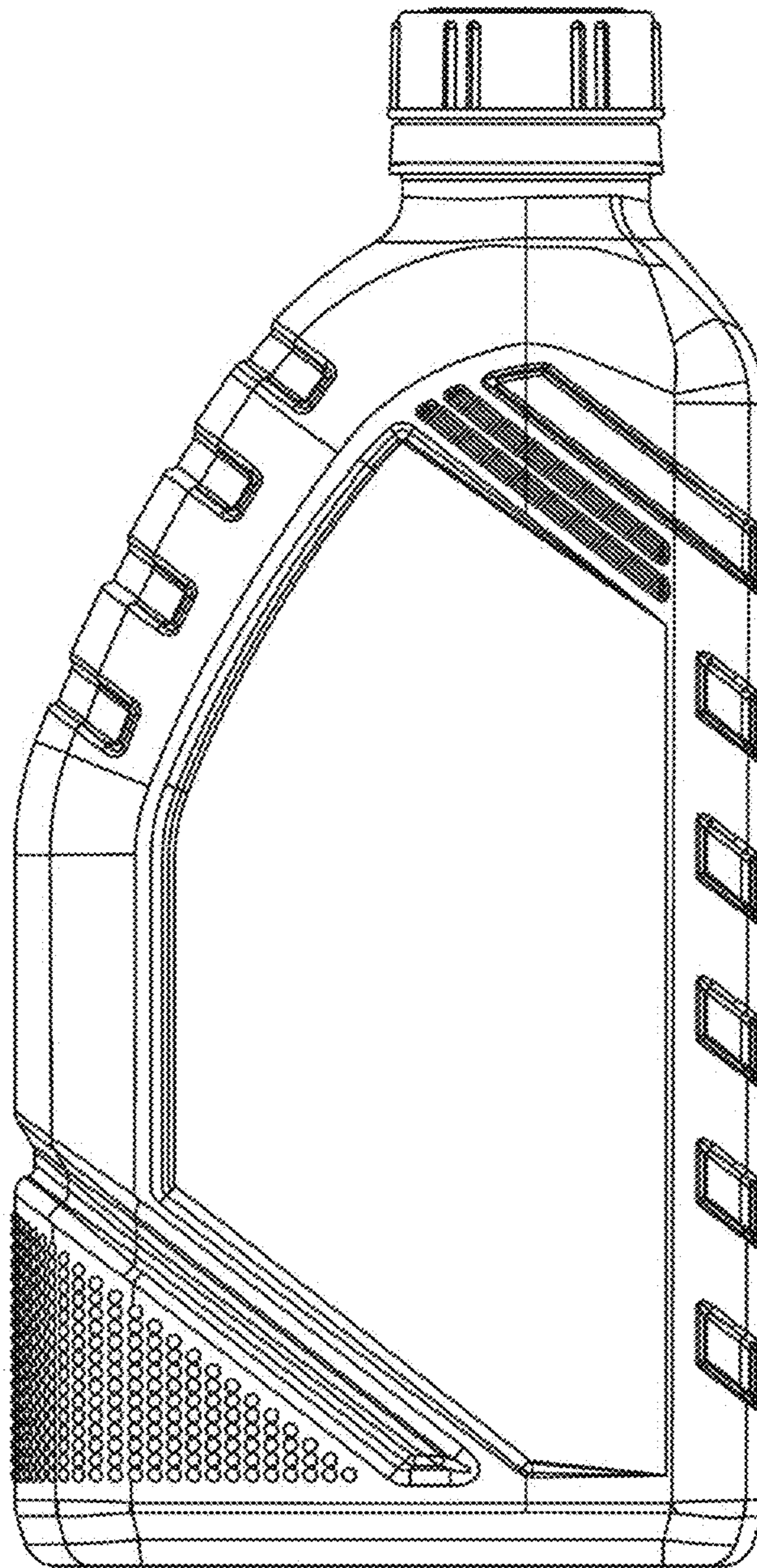


FIG. 4

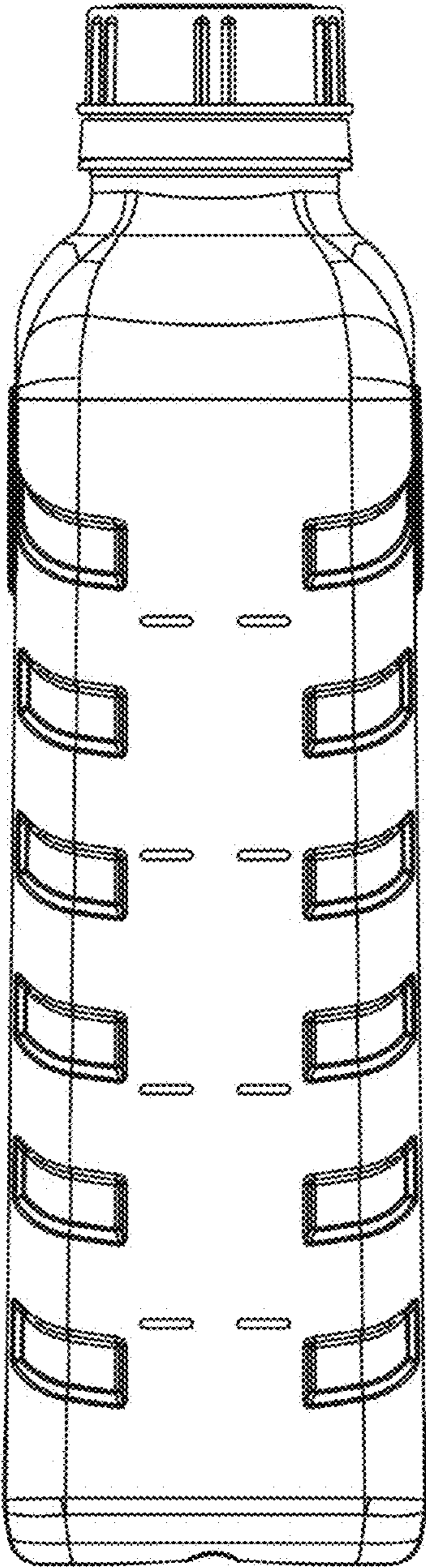


FIG. 5

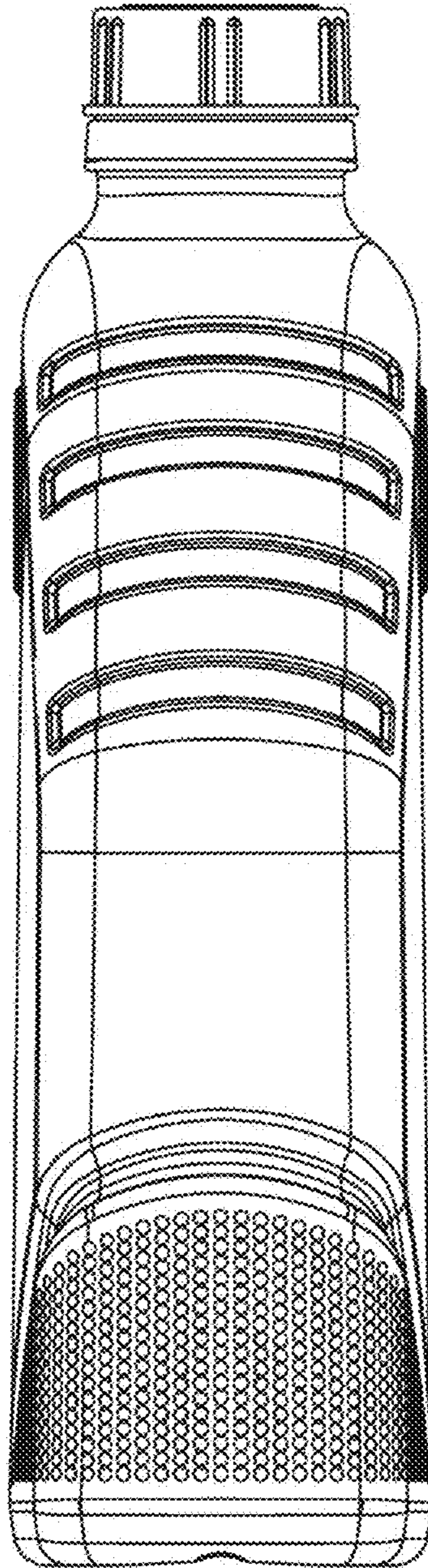


FIG. 6

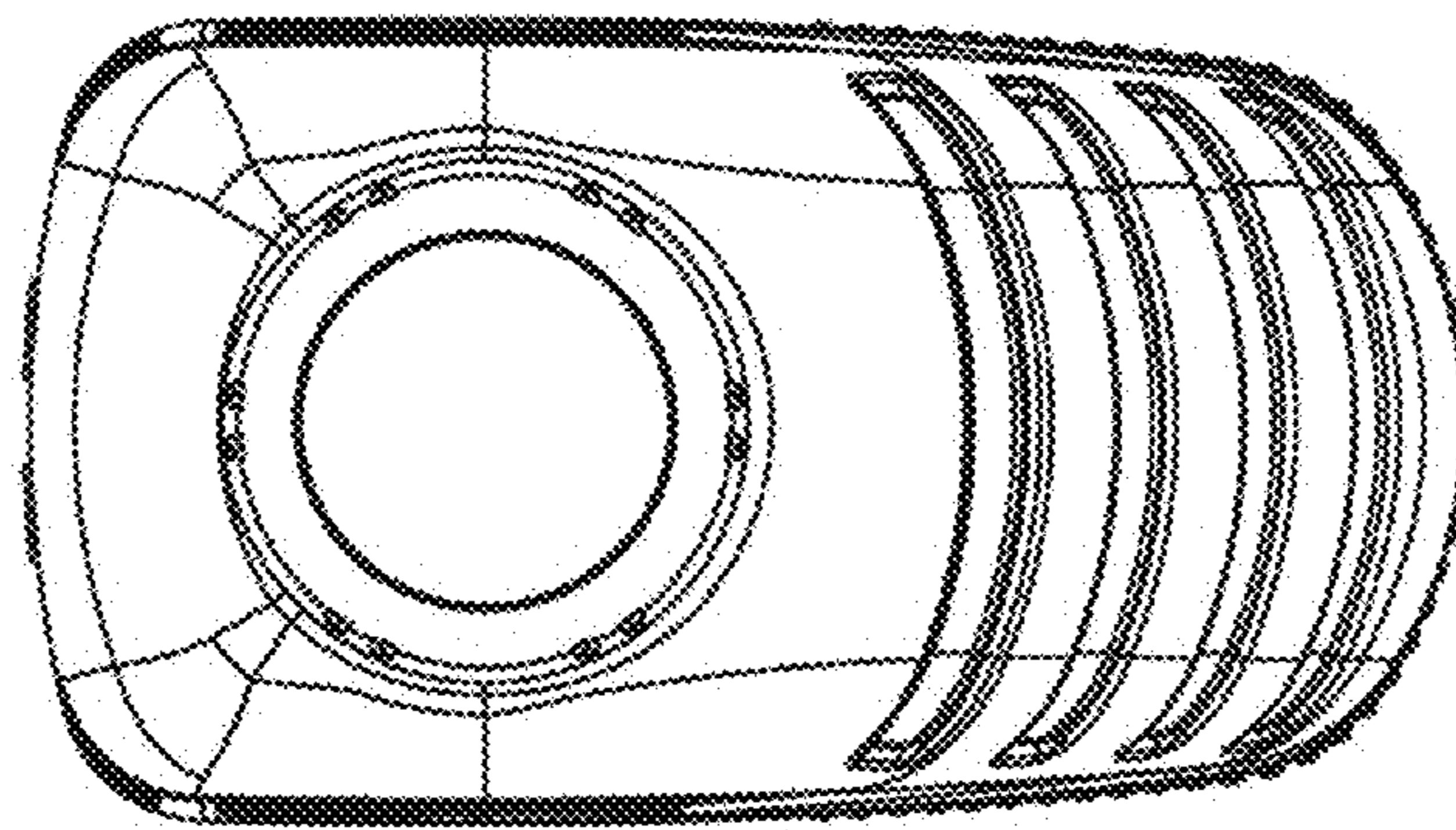


FIG. 7

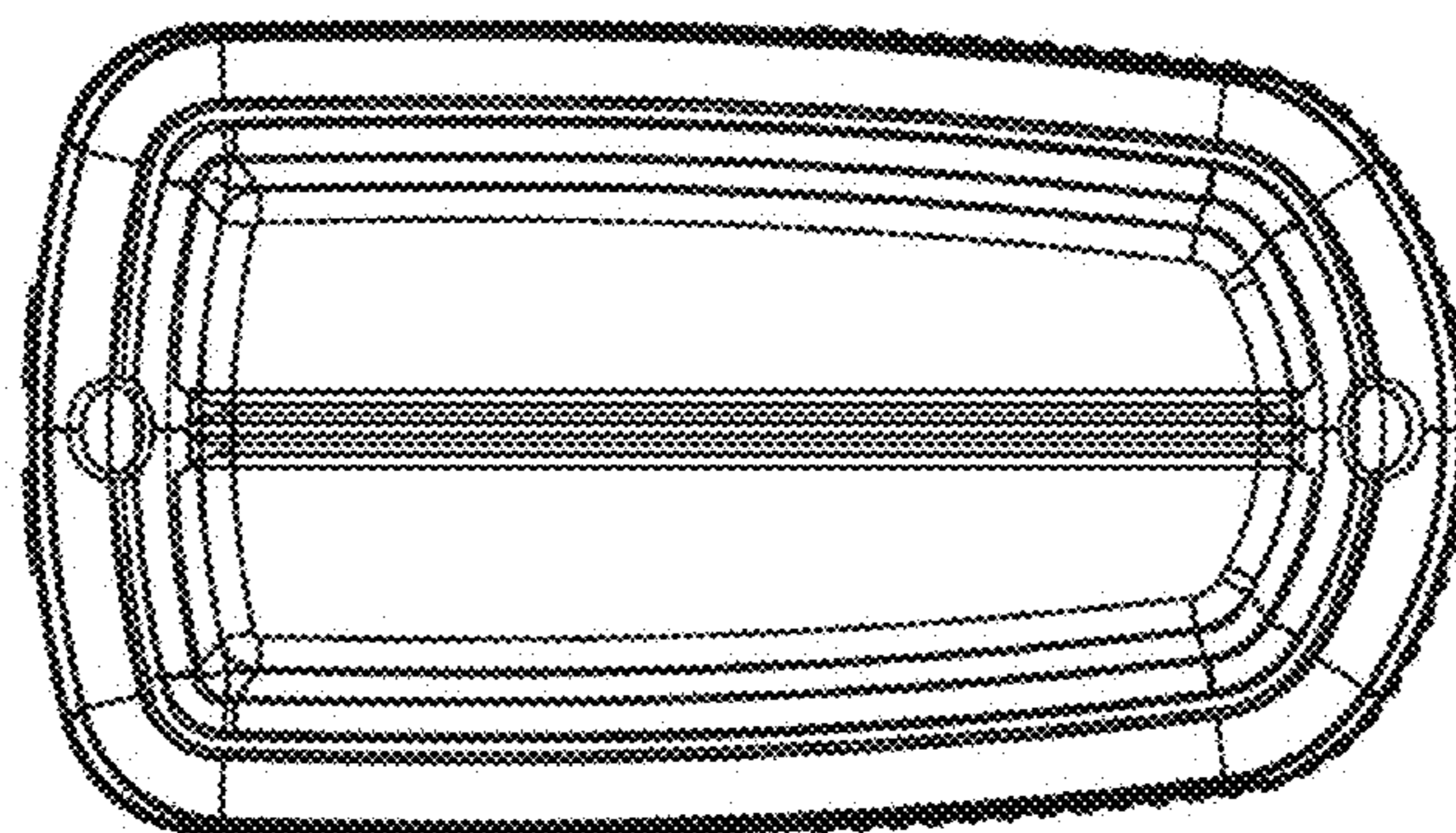




FIG. 8

