



US00D786071S

(12) **United States Design Patent** (10) **Patent No.:** **US D786,071 S**
Miller (45) **Date of Patent:** **** May 9, 2017**

(54) **CONTAINER LID WITH DEPRESSION FOR AN IMPLEMENT**

(71) Applicant: **Anchor Hocking, LLC**, Lancaster, OH (US)

(72) Inventor: **Garet Riley Miller**, Columbus, OH (US)

(73) Assignee: **Anchor Hocking, LLC**, Lancaster, OH (US)

(**) Term: **14 Years**

(21) Appl. No.: **29/518,780**

(22) Filed: **Feb. 27, 2015**

(51) **LOC (10) Cl.** **09-07**

(52) **U.S. Cl.**
USPC **D9/435**

(58) **Field of Classification Search**
USPC D9/435-436, 447, 453, 485-486, 439, D9/443

CPC A45D 34/00; B65D 41/00; B65D 83/00; B65D 51/005; B65D 47/14; B65D 39/00; B65D 39/16; B65D 42/00; B65D 42/02; B65D 43/32; B65D 45/04; B65D 50/00; B65D 50/02; B65D 51/007; B65D 51/14; B65D 51/145; B65D 51/18; B65D 51/28; B65D 51/2807; B65D 53/02

See application file for complete search history.

(56) **References Cited**

U.S. PATENT DOCUMENTS

1,694,119 A 12/1928 Frank
D123,940 S 12/1940 Worth et al.
2,738,900 A 3/1956 Wenger
2,942,752 A 6/1960 Brunel
3,312,366 A 4/1967 Poris
3,381,876 A 5/1968 Biggins
3,679,093 A 7/1972 Chang

5,090,572 A 2/1992 DeRoseau
5,197,623 A 3/1993 Wang
5,415,309 A 5/1995 Wang
5,706,974 A 1/1998 Murdick et al.
5,868,323 A * 2/1999 Cantor B65D 47/0842
222/556
5,992,667 A * 11/1999 Huang A47G 21/02
206/541
6,604,645 B1 * 8/2003 Vaupotic B65D 51/247
206/542

(Continued)

FOREIGN PATENT DOCUMENTS

NZ 247711 A 5/1995
WO 98/46494 10/1998

Primary Examiner — Robin V Webster

Assistant Examiner — Rachel Voorhies

(74) *Attorney, Agent, or Firm* — Frost Brown Todd LLC

(57) **CLAIM**

The ornamental design for a container lid with depression for an implement, as shown and described.

DESCRIPTION

FIG. 1 is a perspective view of a container lid with depression for an implement illustrating an embodiment of my new design;

FIG. 2 is a top plan view thereof;

FIG. 3 is a bottom plan view thereof;

FIG. 4 is a side elevation view thereof, all sides being identical;

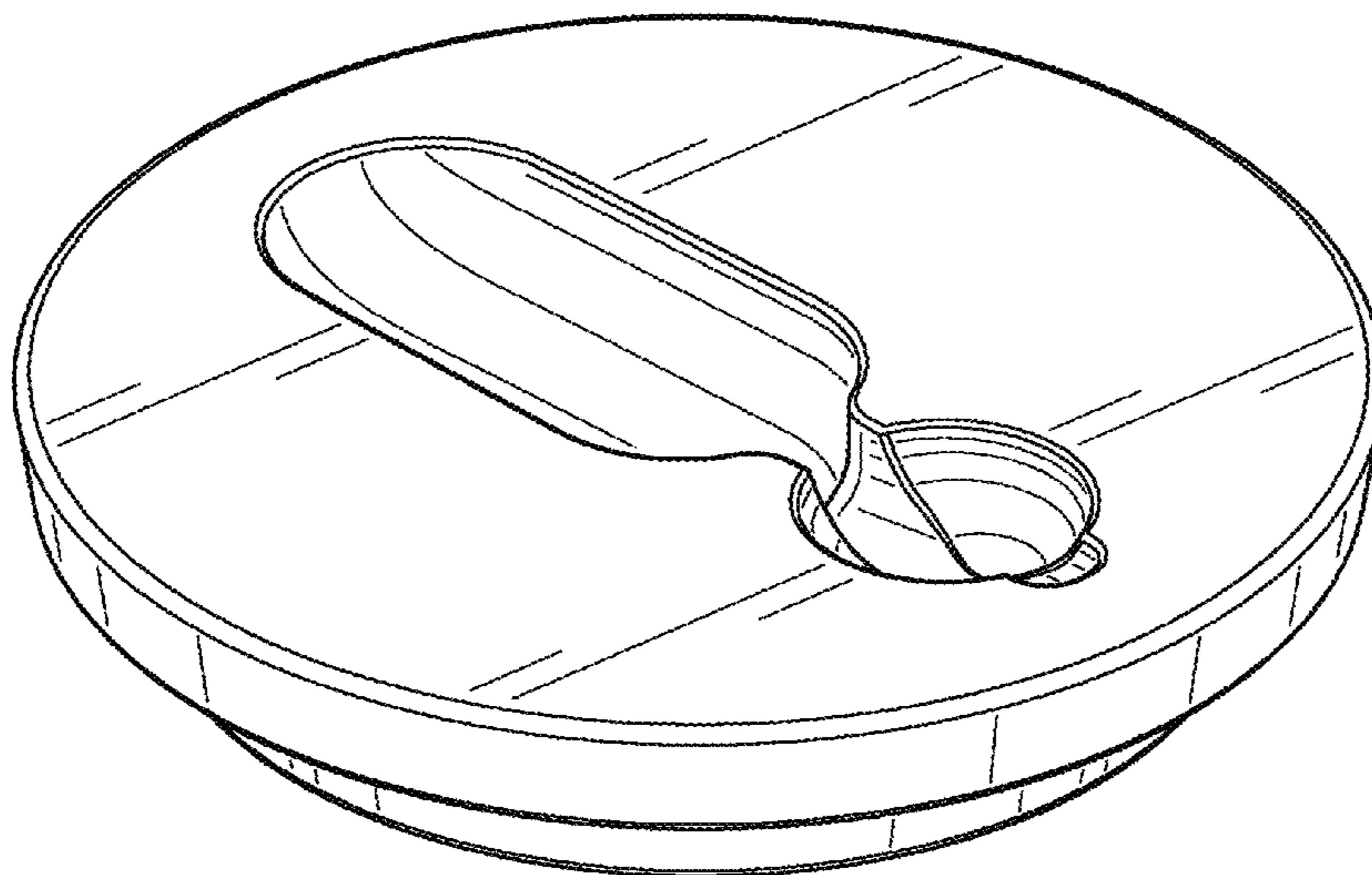
FIG. 5 is a sectional view of the vessel taken along line 5-5 of FIG. 2;

FIG. 6 is a perspective, exploded view showing in broken lines an environment in which the design is used; and,

FIG. 7 is a perspective, assembled view showing in broken lines an environment in which the design is used.

The broken lines are for illustrative purposes only and form no part of the claimed design.

1 Claim, 6 Drawing Sheets



(56)

References Cited

U.S. PATENT DOCUMENTS

6,766,902 B1	7/2004	Hartelius	
D522,858 S *	6/2006	Snedden	D9/435
7,168,461 B2	1/2007	DeJonge	
7,175,041 B2	2/2007	Ekkert	
D562,680 S *	2/2008	Vrhovski	D9/436
D585,698 S *	2/2009	Trombly	D7/392.1
D595,131 S *	6/2009	Dibnah	D9/436
D642,049 S *	7/2011	Samartgis	D9/435
D642,050 S *	7/2011	Samartgis	D9/435
D642,051 S *	7/2011	Samartgis	D9/435
D642,052 S *	7/2011	Samartgis	D9/435
D642,053 S *	7/2011	Samartgis	D9/435
D642,054 S *	7/2011	Samartgis	D9/435
D642,457 S *	8/2011	Samartgis	D9/435
D642,458 S *	8/2011	Samartgis	D9/435
D642,459 S *	8/2011	Samartgis	D9/435
D642,460 S *	8/2011	Samartgis	D9/435
D698,199 S *	1/2014	Yessin	D7/392.1
8,651,311 B1	2/2014	Drummond et al.	
8,757,421 B2	6/2014	Yang et al.	
D715,646 S *	10/2014	Fraser	D9/436
D737,142 S *	8/2015	Brannock	D9/447
D738,209 S *	9/2015	Cetti	D9/436
2002/0130057 A1 *	9/2002	Salyers	B65D 51/28 206/315.11
2005/0247585 A1	11/2005	Breckwoldt et al.	
2010/0126992 A1 *	5/2010	Phillips	B65D 51/007 220/212
2011/0226768 A1 *	9/2011	Sexton	B65D 47/265 220/252
2011/0284554 A1 *	11/2011	Ray	B65D 43/0212 220/574.1
2012/0321756 A1 *	12/2012	Estabrook	A47J 31/407 426/115
2013/0119065 A1 *	5/2013	Buck	A47G 19/2205 220/523
2014/0042164 A1 *	2/2014	Zabaleta	B65D 41/32 220/267

* cited by examiner

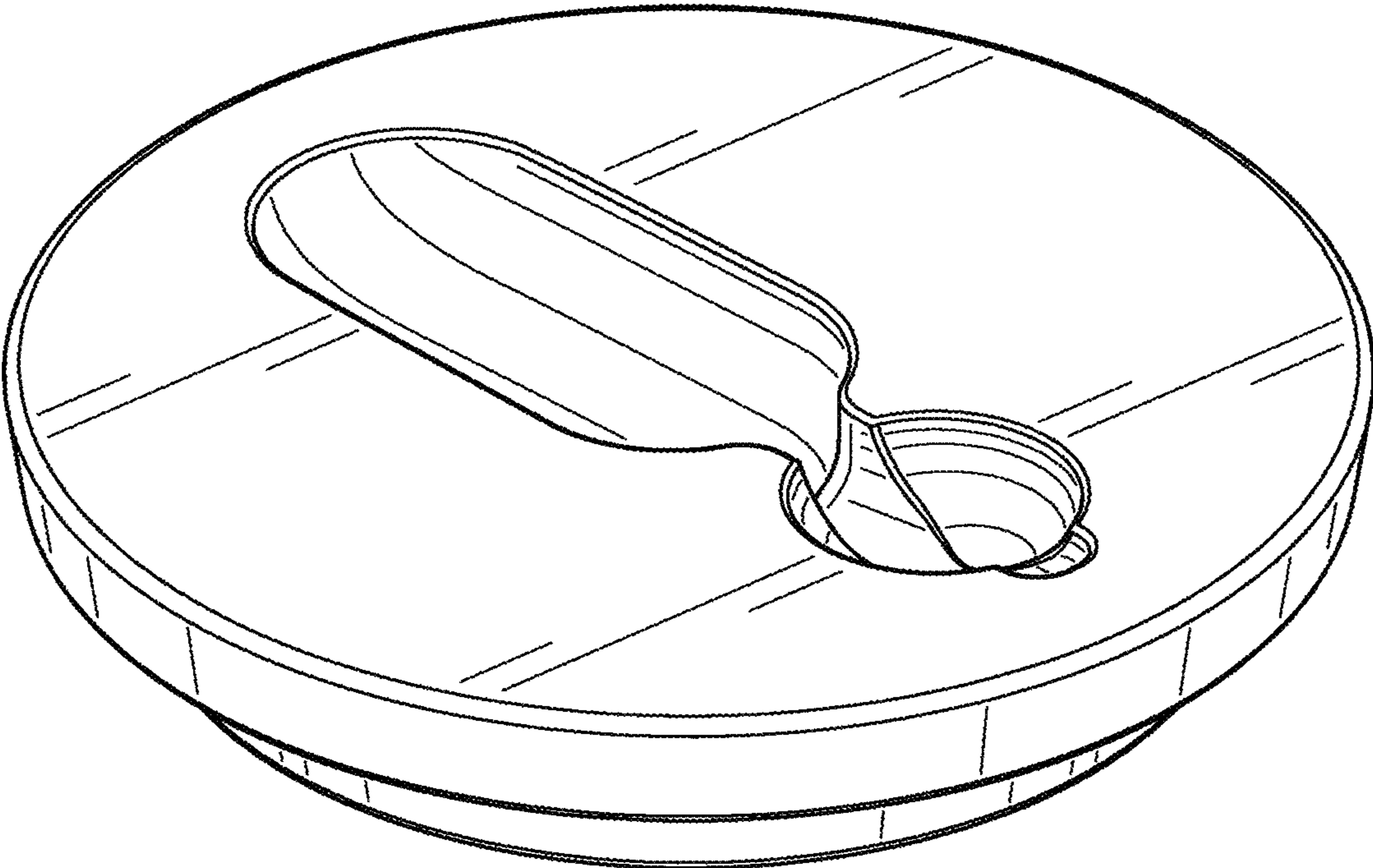


FIG. 1

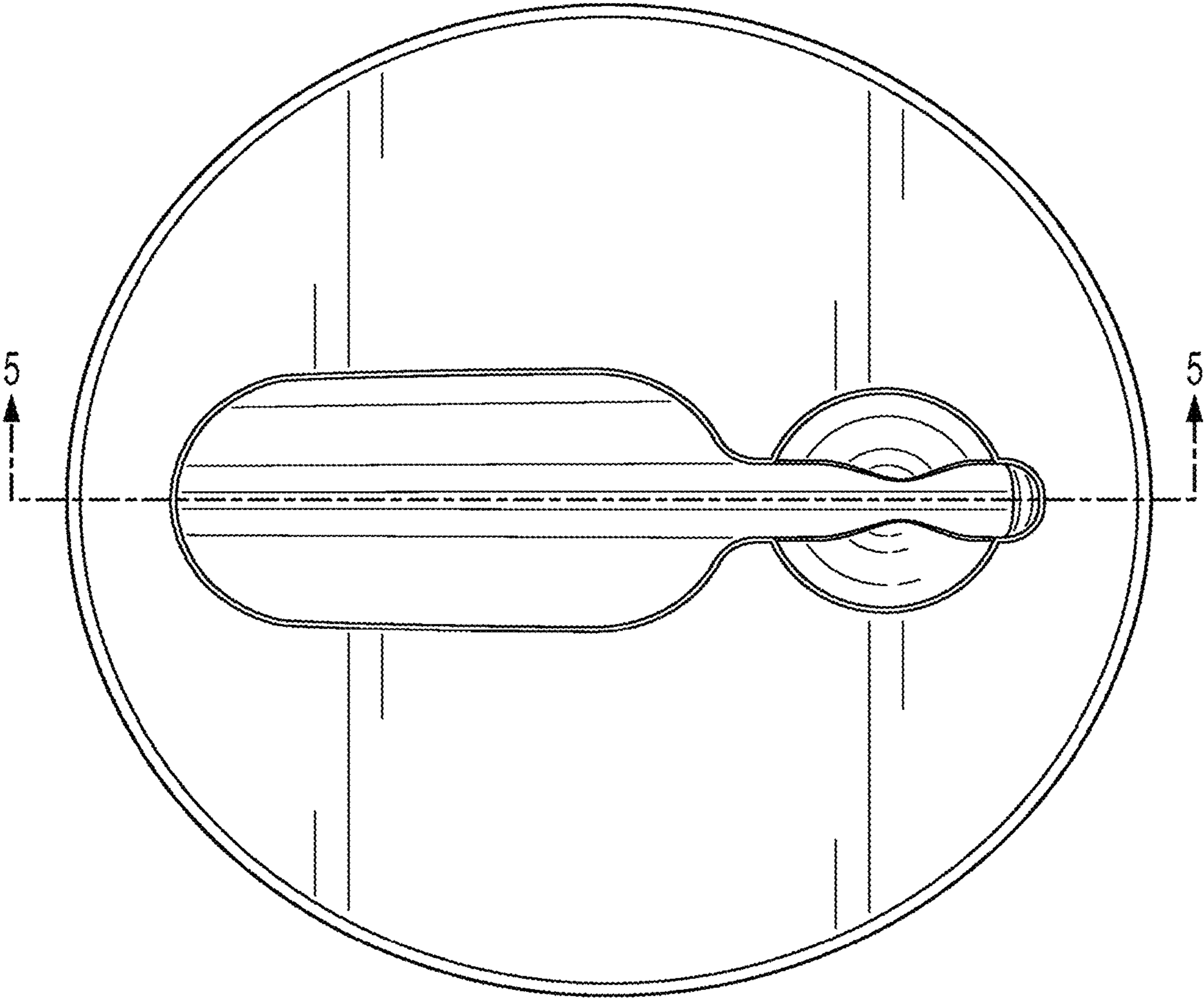


FIG. 2

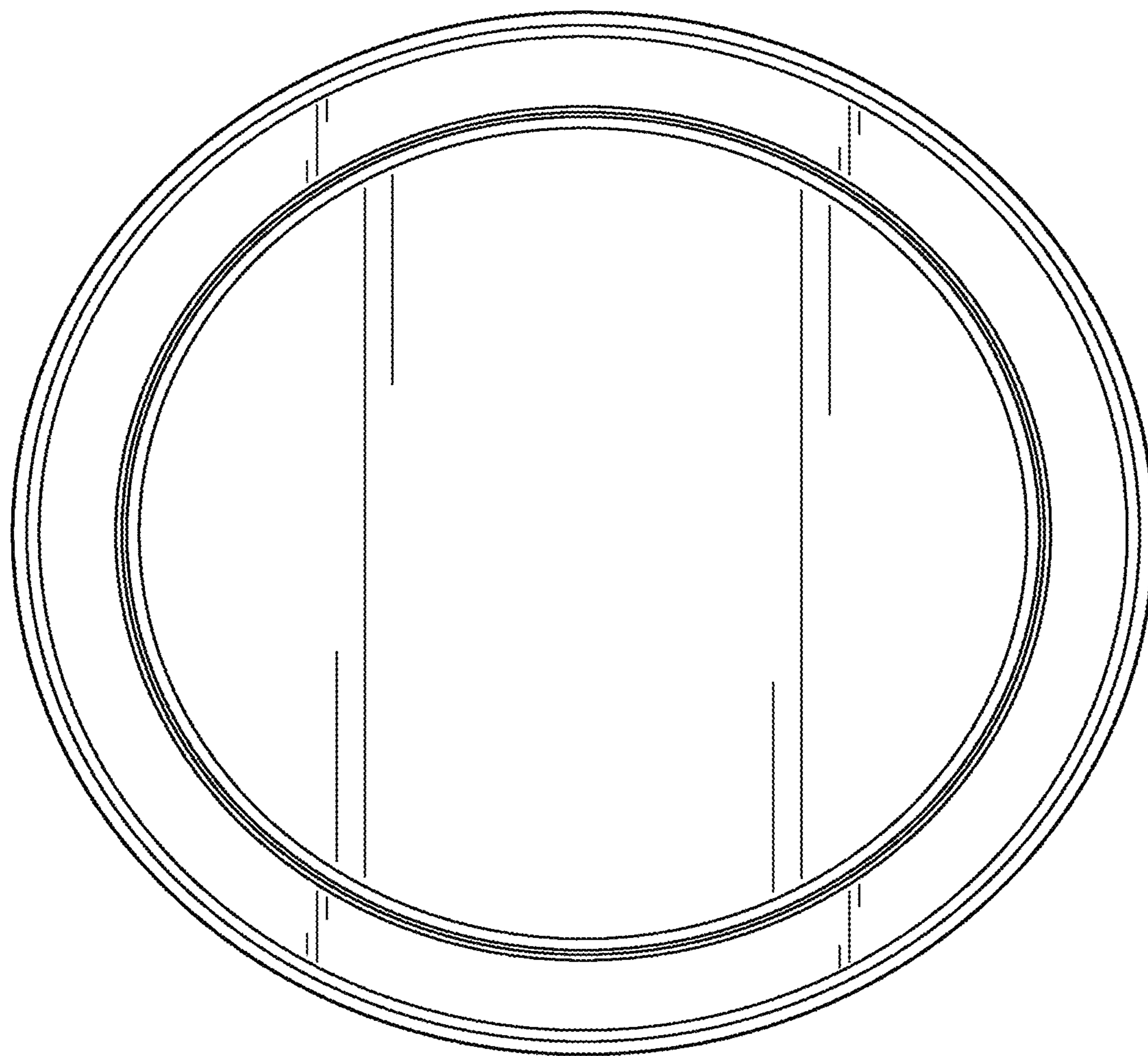


FIG. 3

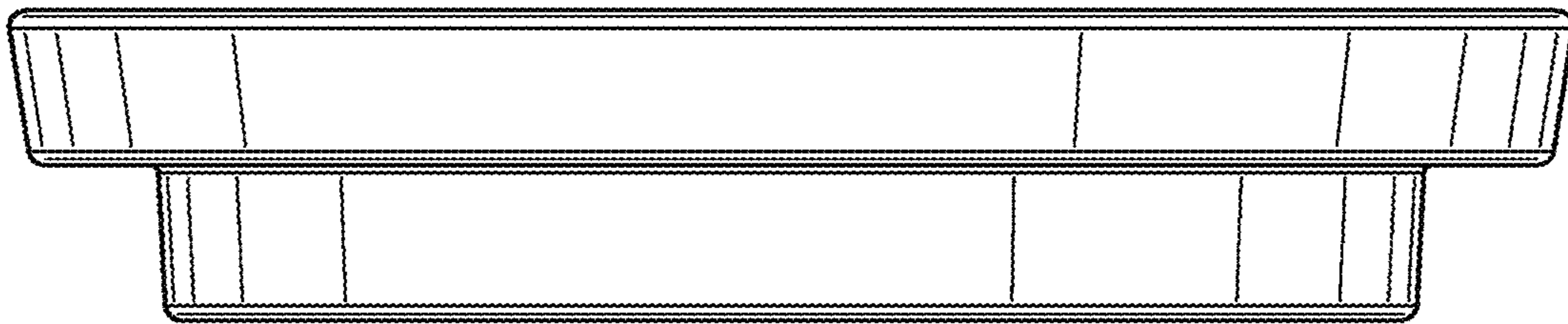


FIG. 4

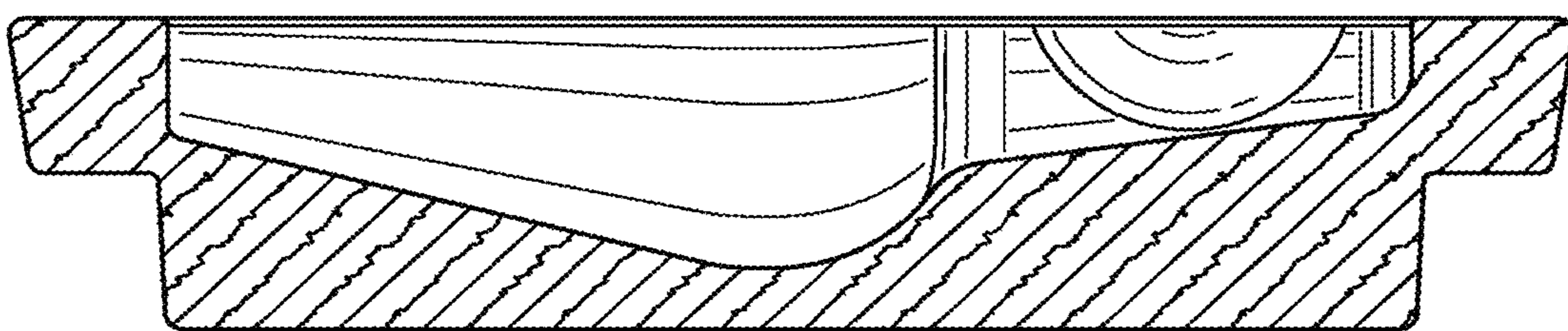


FIG. 5

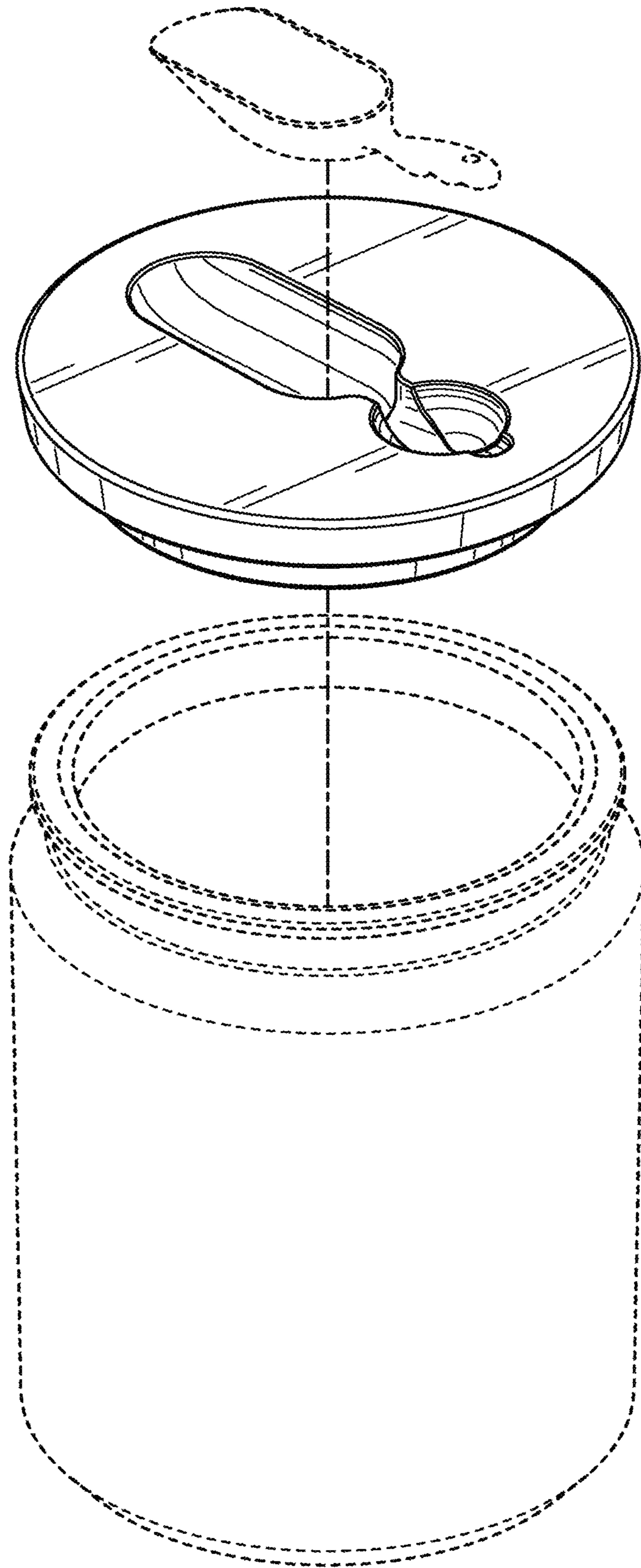


FIG. 6

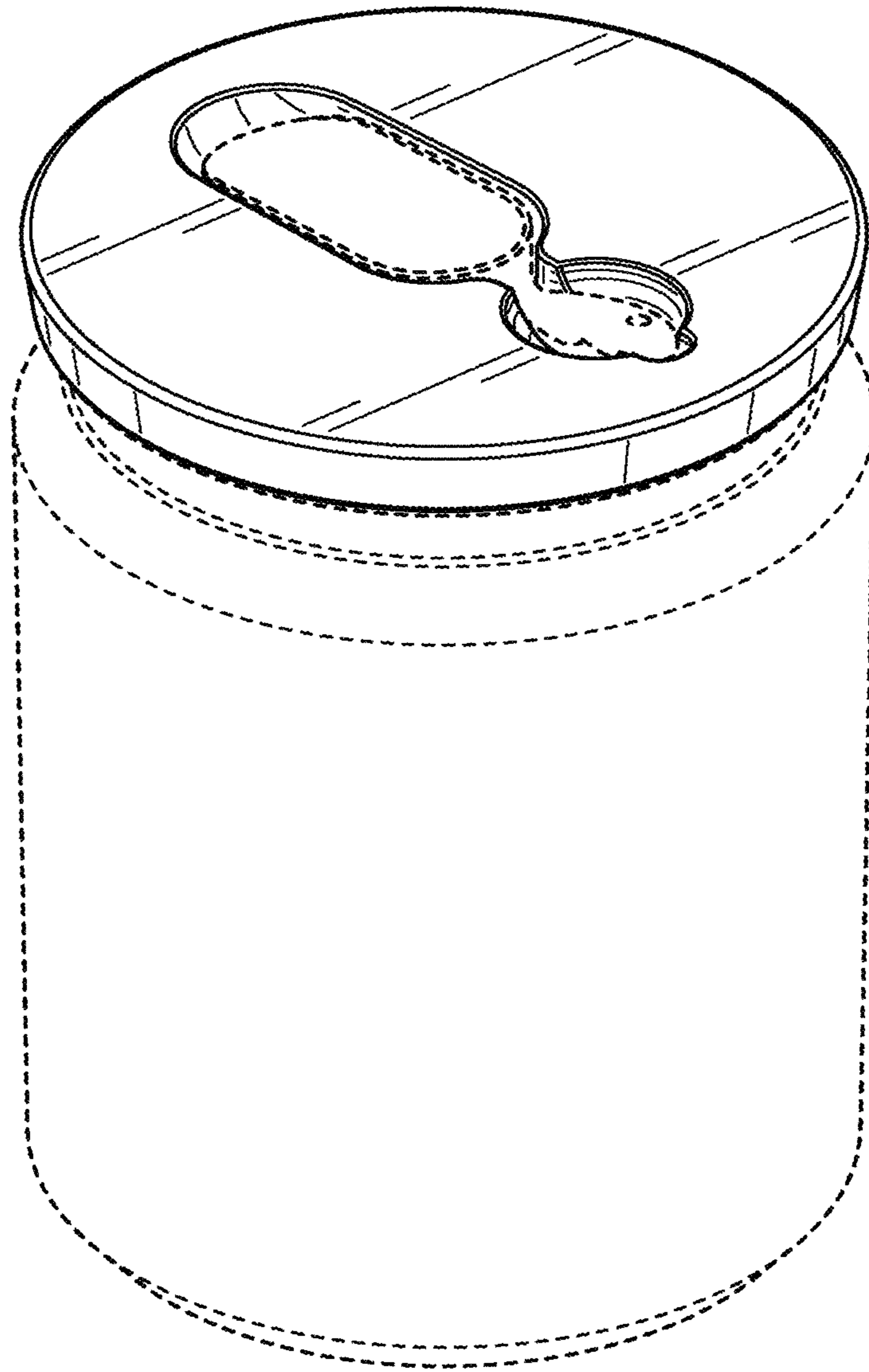


FIG. 7