



US00D786062S

(12) **United States Design Patent**
Ogdon et al.

(10) **Patent No.:** **US D786,062 S**

(45) **Date of Patent:** **** May 9, 2017**

(54) **COMBINED BOX AND HOLDER**

(71) Applicant: **Moj.io Inc.**, Vancouver (CA)

(72) Inventors: **Jason Shozo Ogdon**, Costa Mesa, CA (US); **Hyeryun Nam**, Chicago, IL (US); **Christopher Hudson**, Bartlett, IL (US); **Samuel Kai-Der Chen**, Long Beach, CA (US)

(73) Assignee: **Moj.io Inc.**, Vancouver (CA)

(**) Term: **15 Years**

(21) Appl. No.: **29/563,587**

(22) Filed: **May 5, 2016**

(51) **LOC (10) Cl.** **09-03**

(52) **U.S. Cl.**
USPC **D9/432**

(58) **Field of Classification Search**

USPC D9/414-434, 442-445, 456, 457, 542, D9/563, 707, 708, 711, 754, 759, D9/772-776; D3/273, 276, 304, 305, D3/307, 309-313; D7/601, 602, 709; D19/75, 90

CPC B65D 5/00; B65D 5/001; B65D 5/0015; B65D 5/0227-5/0254; B65D 5/18; B65D 5/6605; B65B 5/06

See application file for complete search history.

(56) **References Cited**

U.S. PATENT DOCUMENTS

D155,246 S	*	9/1949	Miklos	206/766
D321,306 S	*	11/1991	Behar	D7/607
D606,857 S	*	12/2009	Stewart	D9/432
D623,511 S	*	9/2010	Favale	D9/421
D623,512 S	*	9/2010	Stewart	D9/423
D699,079 S	*	2/2014	Lloyd	D7/601
D718,617 S	*	12/2014	Taylor	D9/422

(Continued)

OTHER PUBLICATIONS

XTRONSpro Dpbox02 Hidden Spy Tissue Box. [online] Published date unknown. Retrieved on Dec. 27, 2016 from <URL: http://www.ebay.com/itm/XTRONSpro-Dpbox02-Hidden-Spy-Tissue-Box-Cover-Mirror-for-GoPro-Action-Camera-CAM/321975784174>.*

Primary Examiner — Vy Koenig

Assistant Examiner — Omeed Agilee

(74) *Attorney, Agent, or Firm* — Damien G. Loveland

(57) **CLAIM**

The ornamental design for a combined box and holder, as shown and described.

DESCRIPTION

FIG. 1 is a perspective view from above of the combined box and holder.

FIG. 2 is a perspective view from below of the combined box and holder.

FIG. 3 is a front elevation of the combined box and holder, the back elevation being the same as the front elevation.

FIG. 4 is a right elevation of the combined box and holder, the left elevation being the same as the right elevation.

FIG. 5 is a plan view of the combined box and holder.

FIG. 6 is an exploded perspective view from below of the combined box and holder in a partially opened configuration.

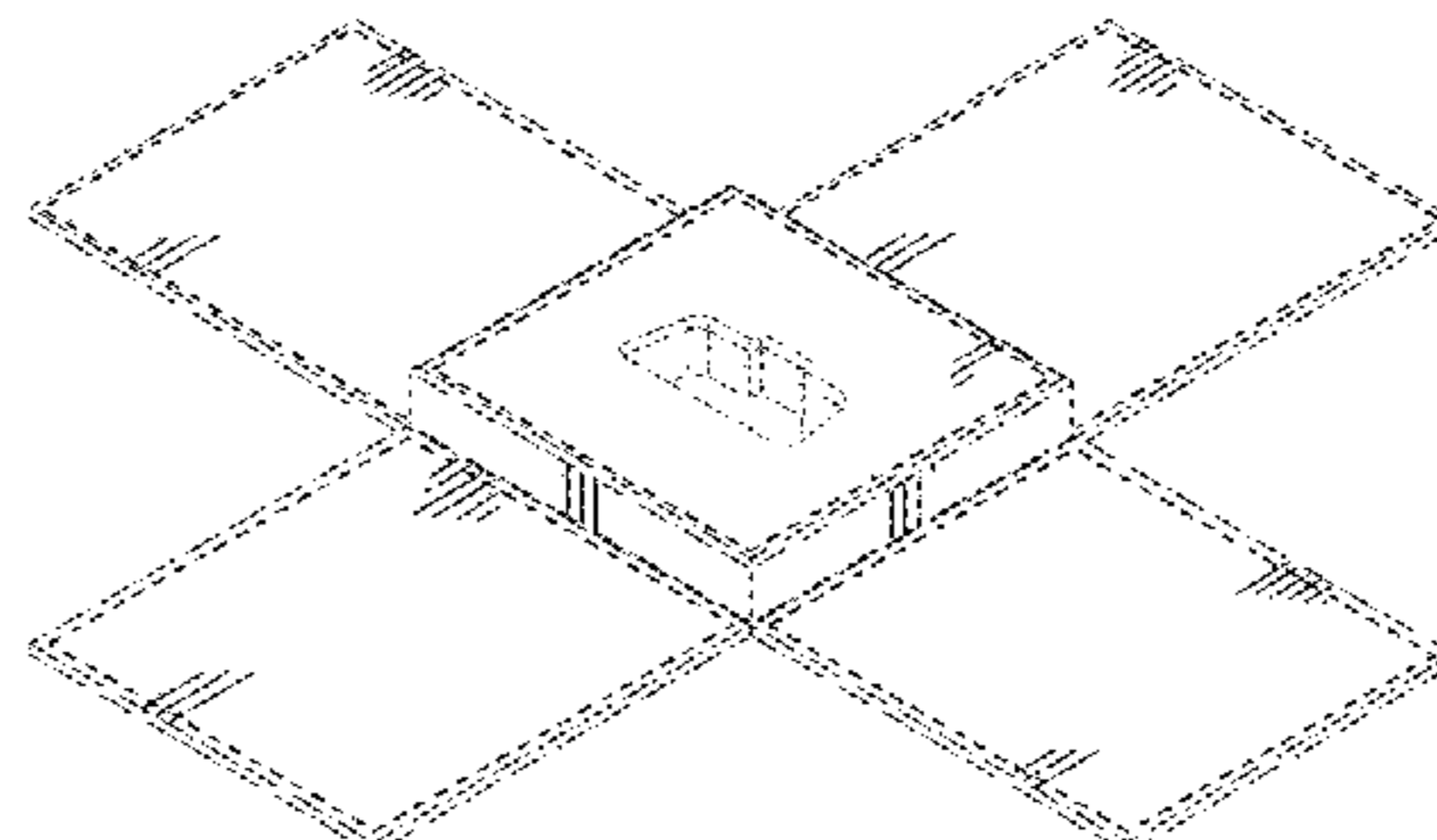
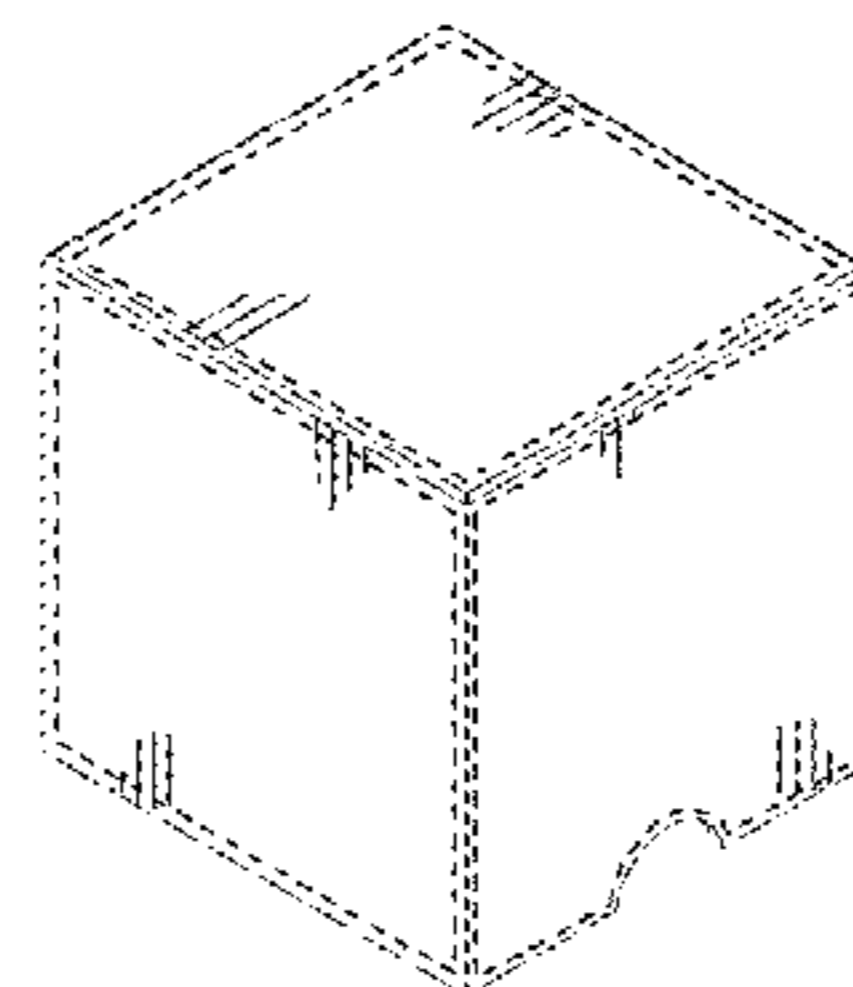
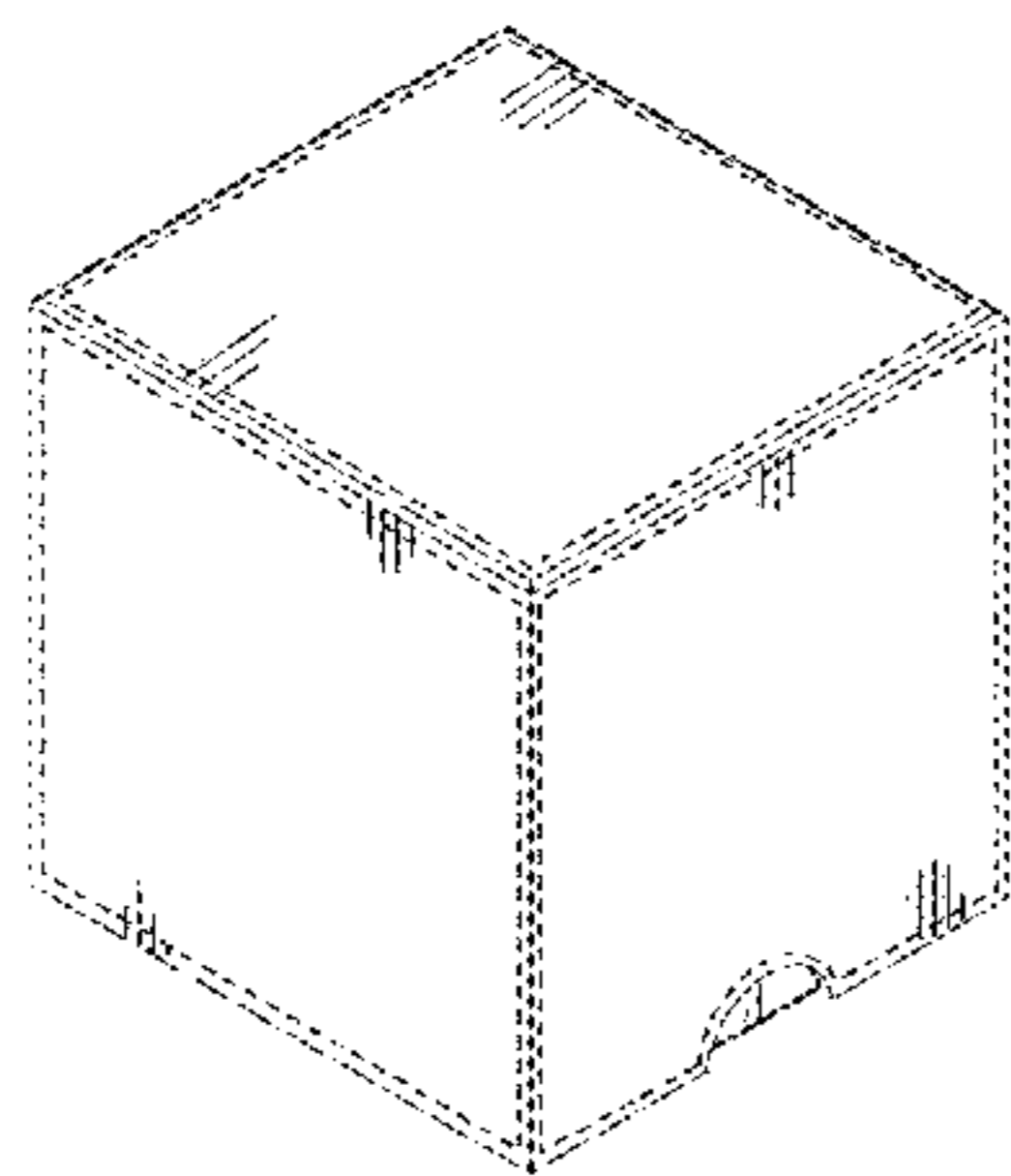
FIG. 7 is an exploded perspective view from above of the combined box and holder in a fully opened configuration.

FIG. 8 is a side elevation of the holder portion of the combined box and holder, shown separately for ease of illustration. All four side elevations are identical; and,

FIG. 9 is a bottom view of the holder portion of the combined box and holder, shown separately for ease of illustration.

In the drawings, the dashed lines near the periphery of the surfaces depict environmental features where graphic and/or textual illustration may be displayed, and form no part of the claimed design.

1 Claim, 5 Drawing Sheets



(56)

References Cited

U.S. PATENT DOCUMENTS

D729,059	S	*	5/2015	Taylor	D9/432
D731,885	S	*	6/2015	Taylor	D9/422
D731,886	S	*	6/2015	Taylor	D9/423
D740,656	S	*	10/2015	Stewart	D9/432
D741,593	S	*	10/2015	Brown	D3/202
D748,495	S	*	2/2016	Young	D9/432
D772,060	S	*	11/2016	O'Dowd	D9/432
2009/0242619	A1	*	10/2009	Blomberg	B65D 5/60 229/108

* cited by examiner

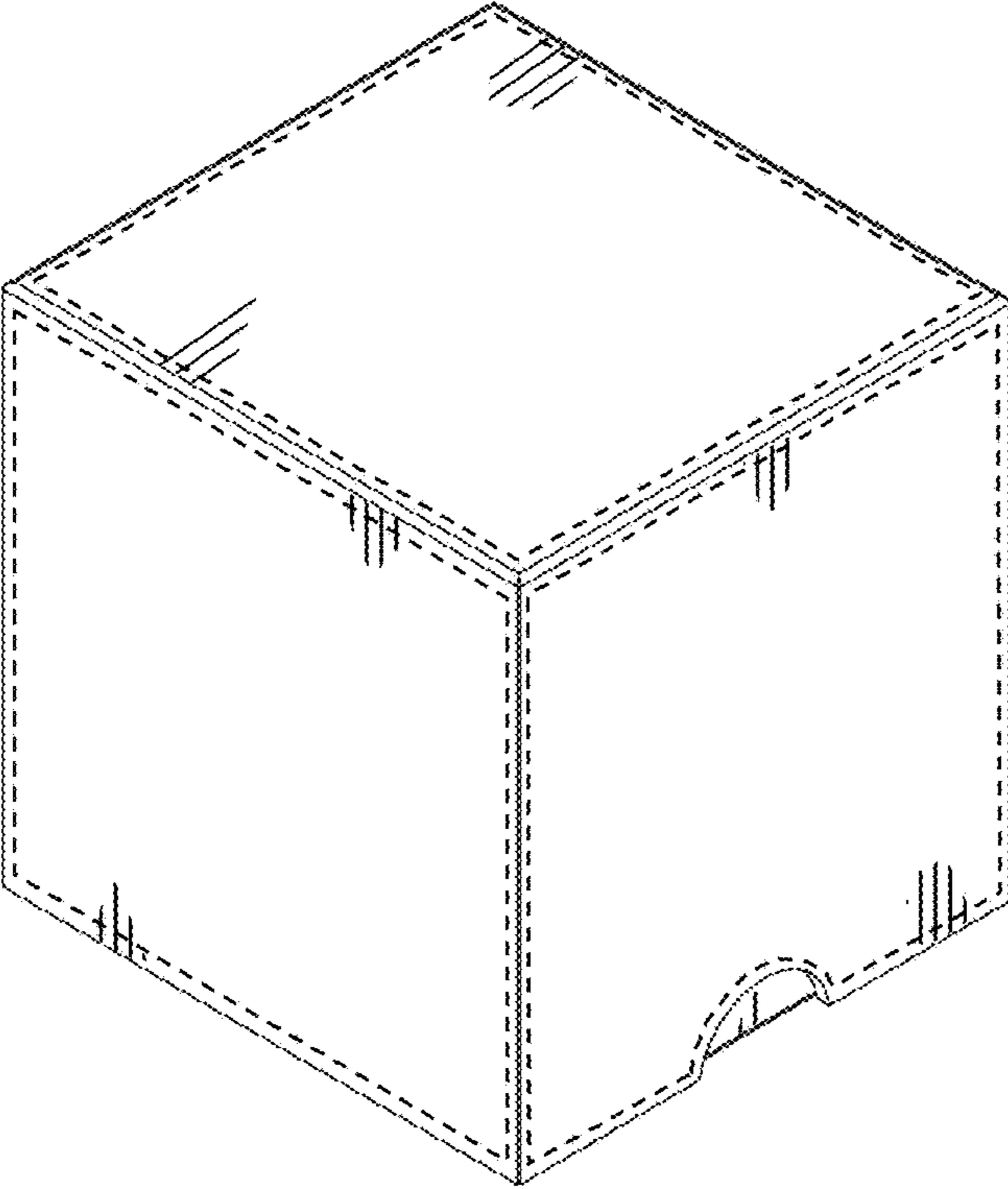


FIG. 1

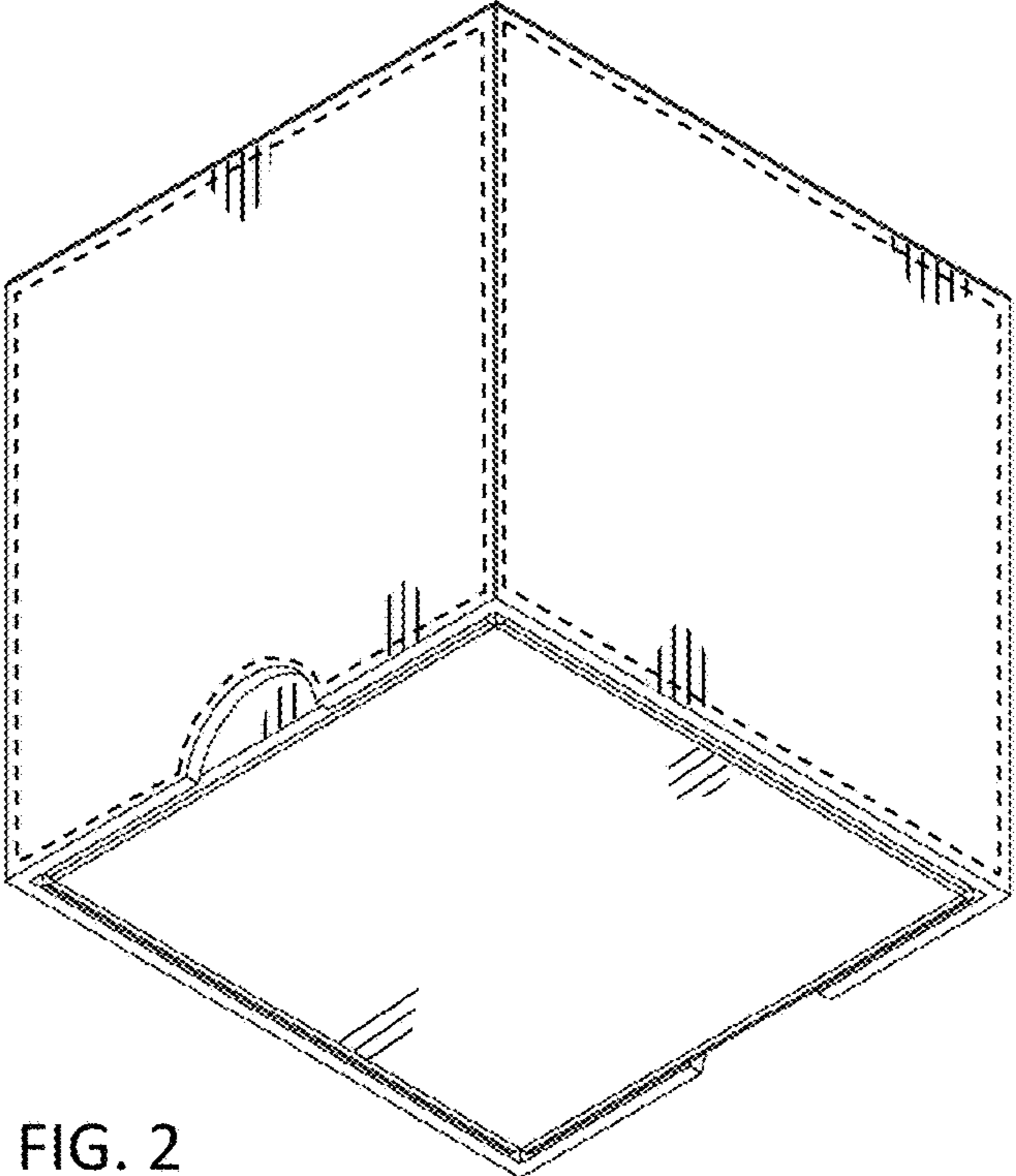


FIG. 2

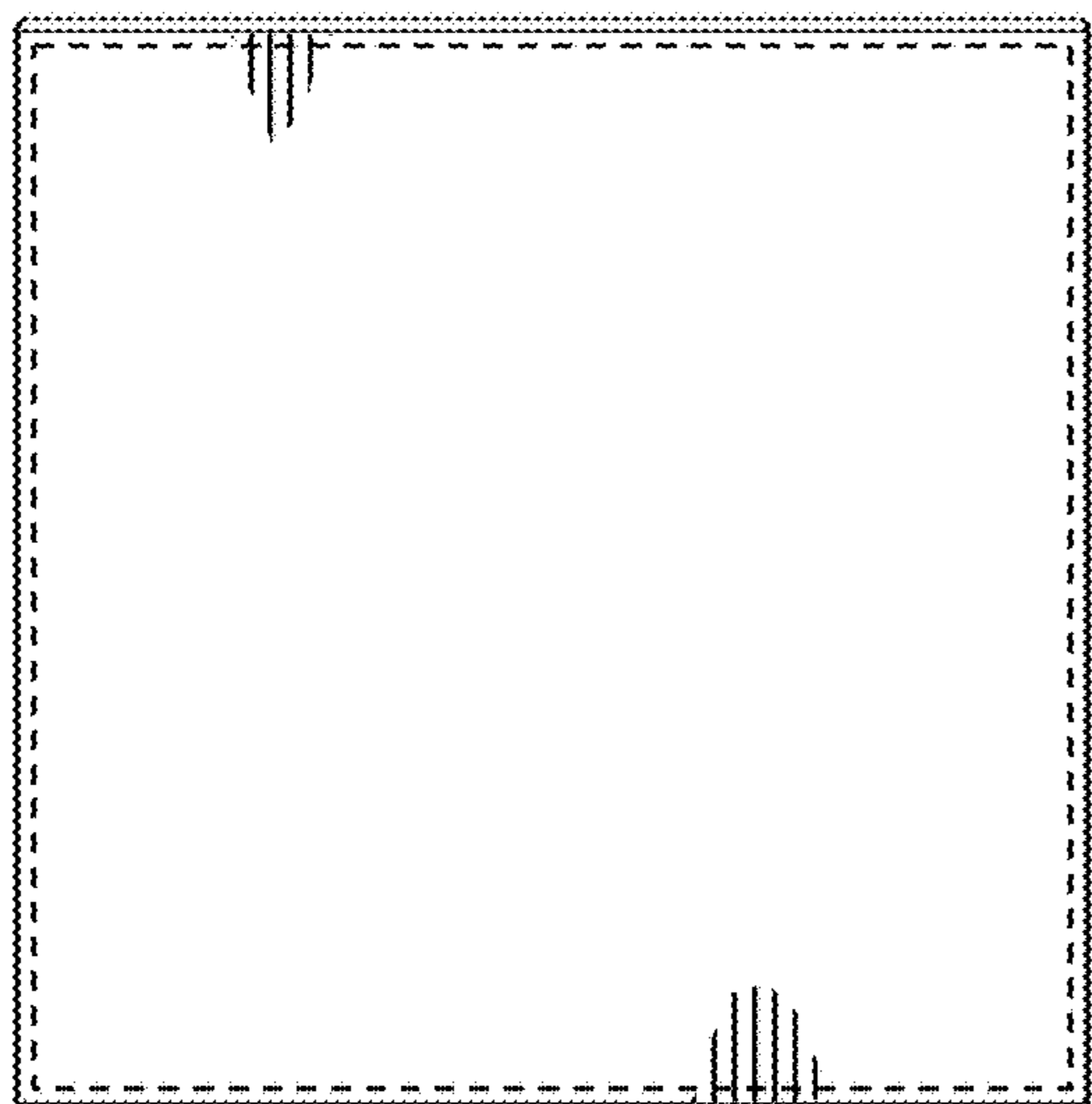


FIG. 3

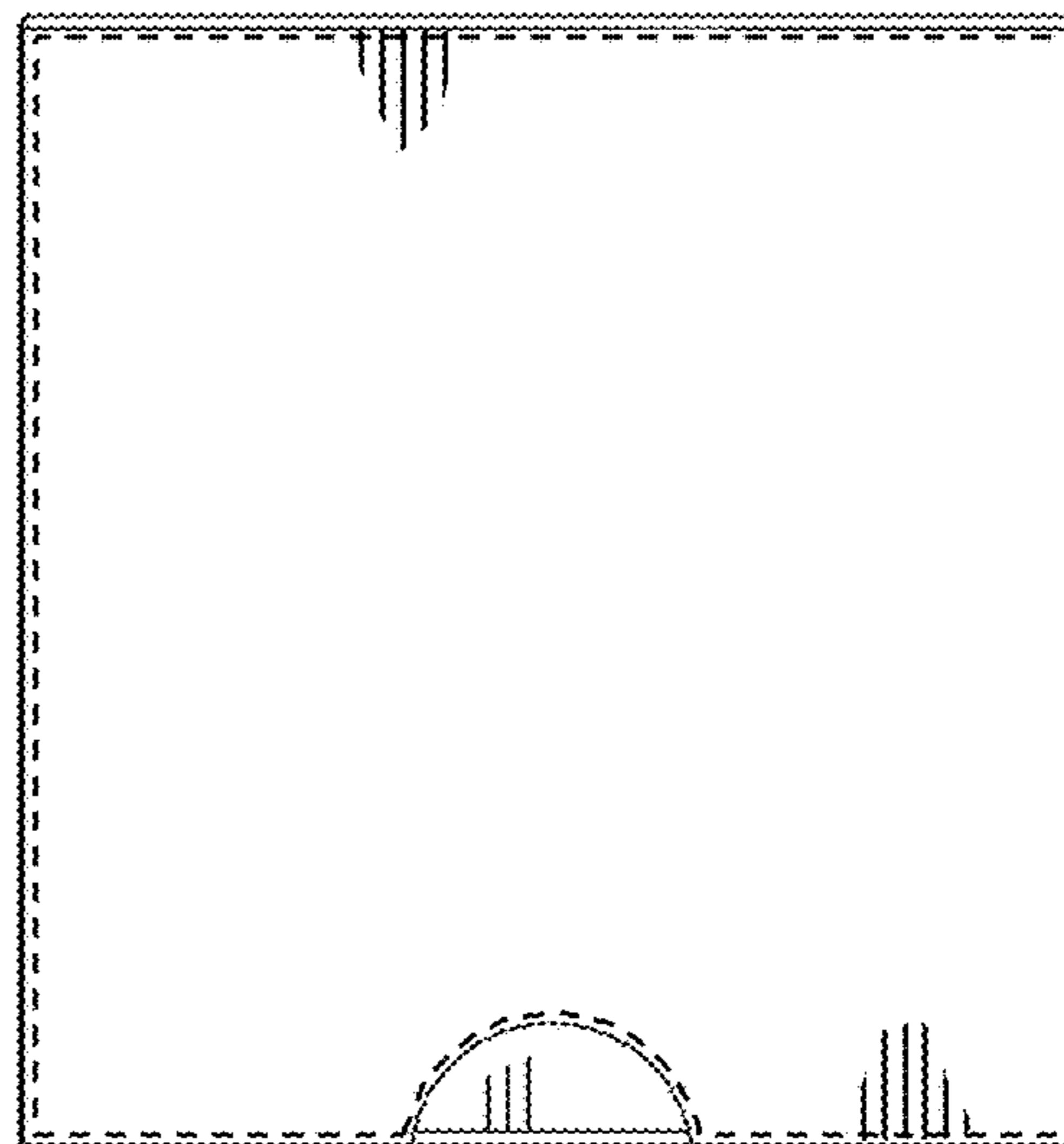


FIG. 4

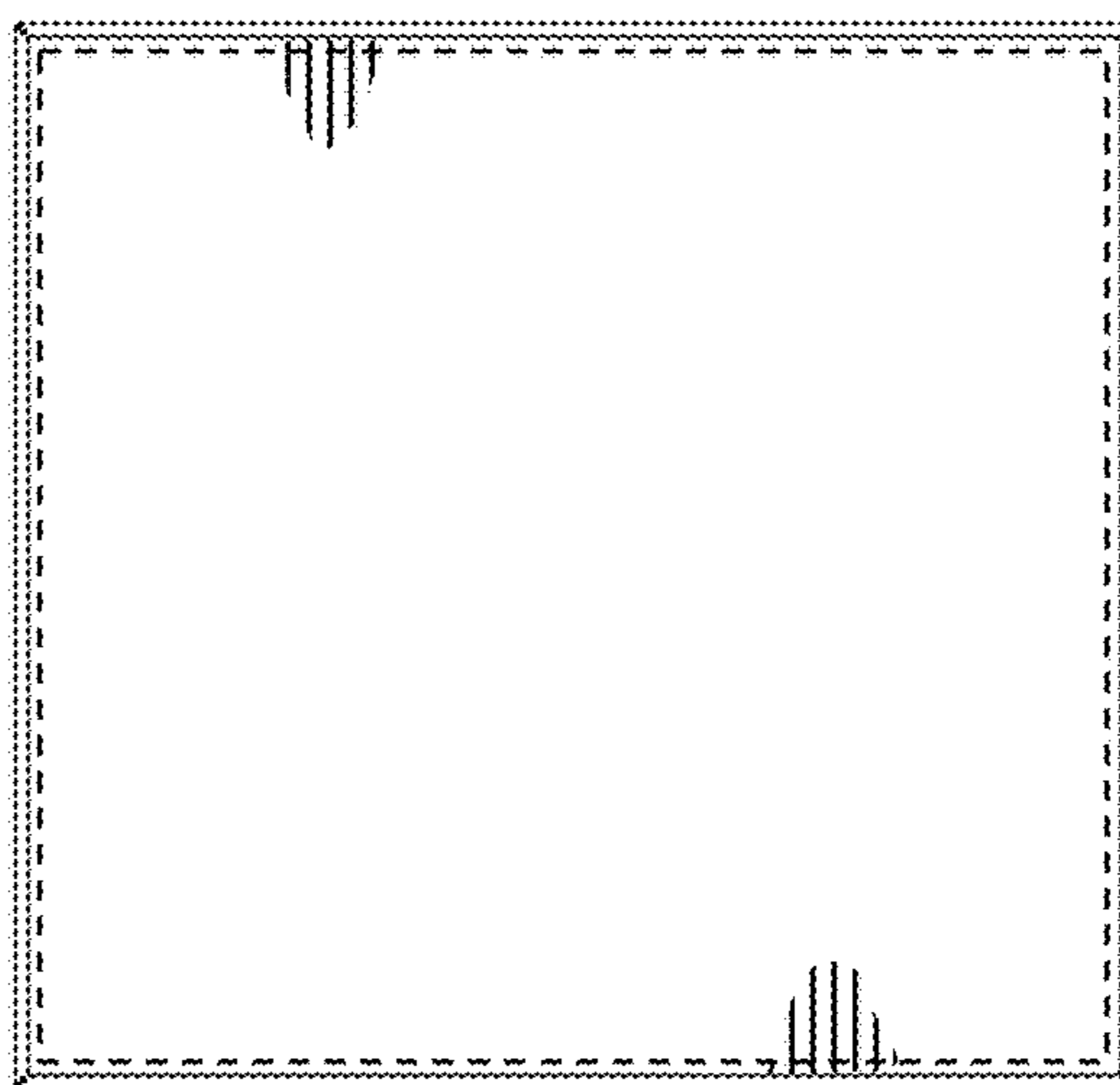


FIG. 5

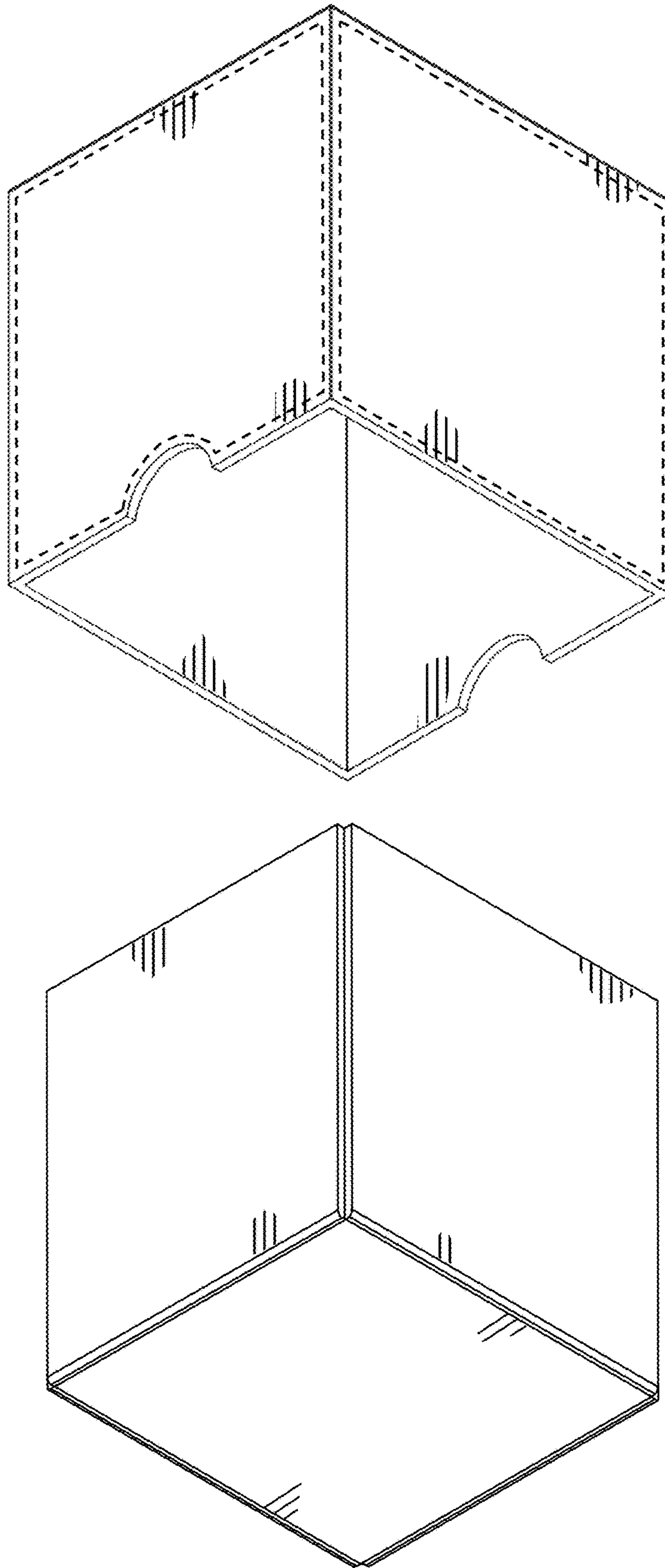


FIG. 6

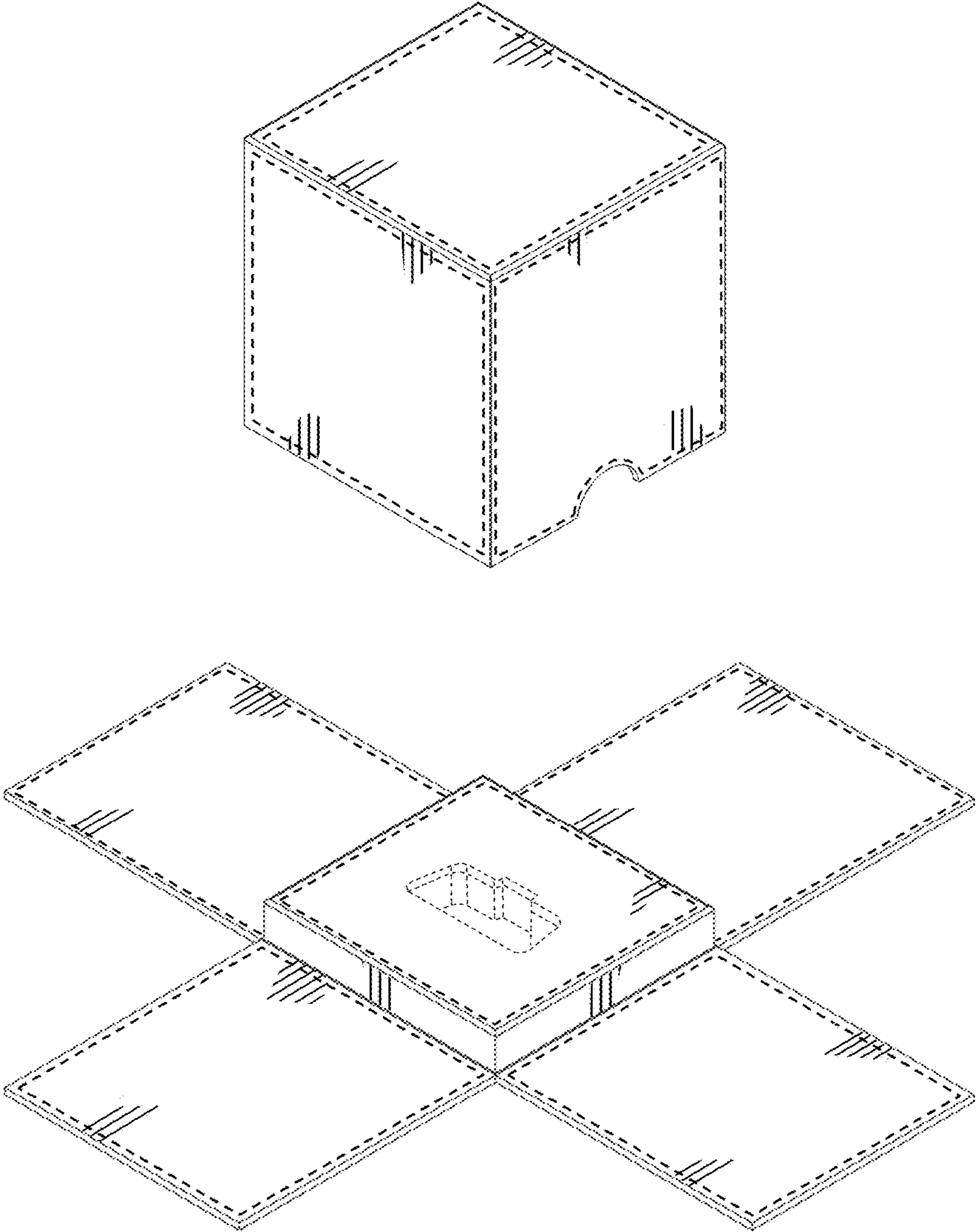


FIG. 7

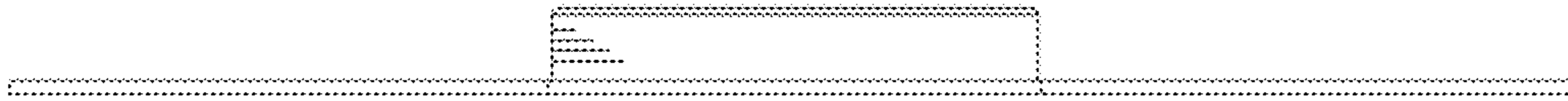


FIG. 8

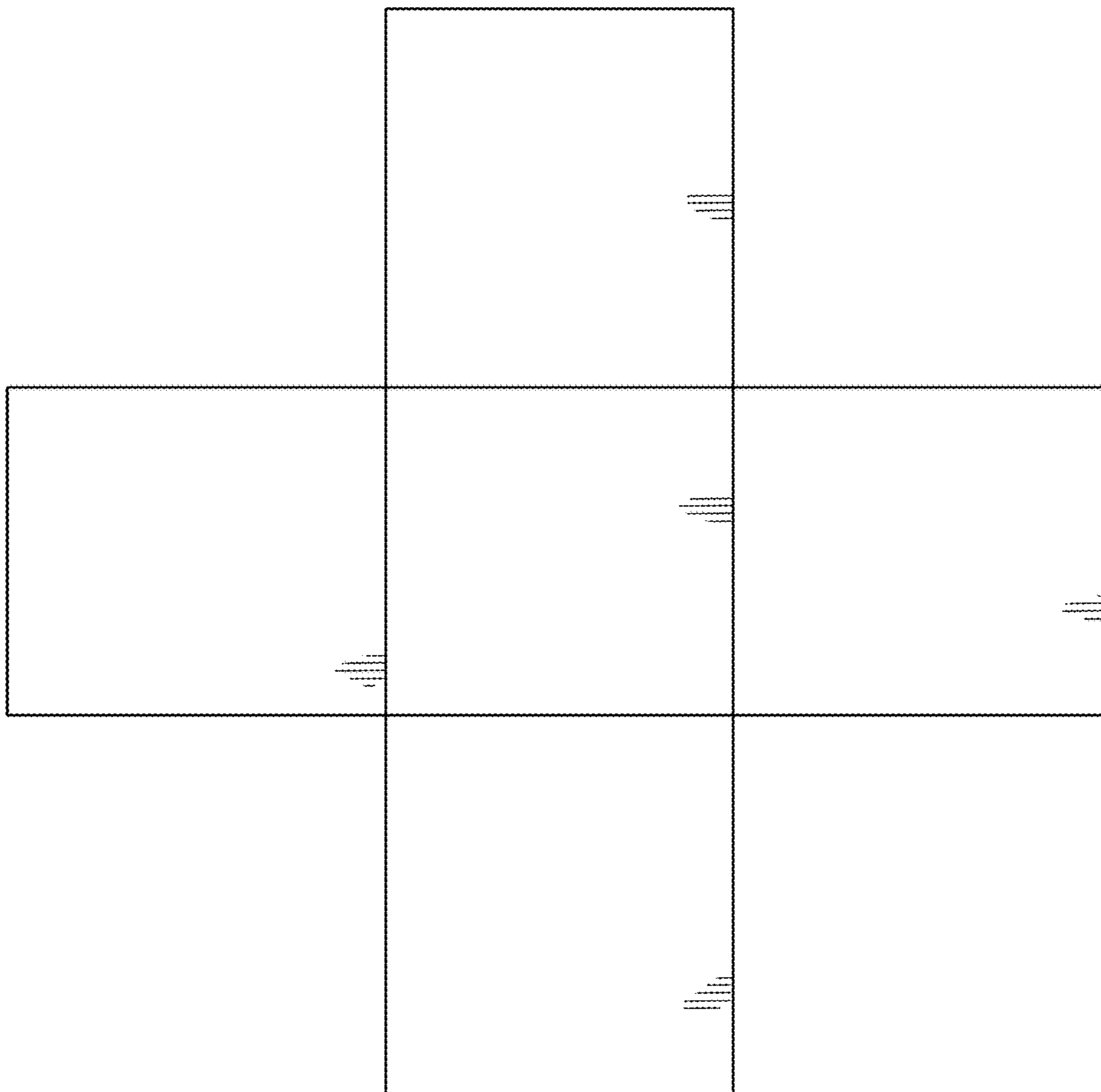


FIG. 9