



US00D786060S

(12) **United States Design Patent** (10) **Patent No.:** **US D786,060 S**  
**Lee** (45) **Date of Patent:** **\*\* May 9, 2017**

(54) **BOW TIE AND ACCESSORY HOLDER**  
(71) Applicant: **In Y. Lee**, Great Neck, NY (US)  
(72) Inventor: **In Y. Lee**, Great Neck, NY (US)  
(\*\*) Term: **15 Years**  
(21) Appl. No.: **29/569,334**  
(22) Filed: **Jun. 27, 2016**  
(51) **LOC (10) Cl.** ..... **09-03**  
(52) **U.S. Cl.**  
USPC ..... **D9/415**  
(58) **Field of Classification Search**  
USPC ..... D9/415, 433, 457, 702, 722; D6/315  
CPC .. B65D 85/18; B65D 85/182; B65D 73/0071;  
B65D 5/18; B65D 5/5021; B65D  
73/0064; B65D 75/14; B65D 73/0078;  
B65D 33/14; B65D 75/54; B65D 77/26;  
B65D 5/4208; B65D 75/04; B65D 75/02;  
B65D 75/38; B65D 25/22; B65D 5/5035  
See application file for complete search history.

(56) **References Cited**  
U.S. PATENT DOCUMENTS  
D327,427 S \* 6/1992 McCooley ..... D9/722  
5,328,065 A \* 7/1994 Kolton ..... A47G 25/743  
223/85  
5,429,284 A \* 7/1995 Kolton ..... A47G 25/743  
223/85  
5,469,959 A \* 11/1995 Gummer ..... B65D 73/0078  
206/299  
5,503,269 A \* 4/1996 DeBiasio ..... B65D 85/18  
206/296  
5,857,597 A \* 1/1999 Kolton ..... A47G 25/743  
150/131  
6,237,762 B1 \* 5/2001 Faircloth ..... B65D 73/0078  
206/297  
D493,715 S \* 8/2004 Izen ..... D9/415

7,441,678 B2 \* 10/2008 Ford ..... B65D 73/0071  
206/292  
7,500,559 B2 \* 3/2009 Kim ..... B65D 25/22  
206/278  
D690,077 S \* 9/2013 Kim ..... D2/606  
D696,838 S \* 1/2014 Kim ..... D2/606  
D703,525 S \* 4/2014 Quinn ..... D9/415  
D706,520 S \* 6/2014 Kim ..... D2/606  
D767,385 S \* 9/2016 McDonald ..... D9/415  
2001/0030136 A1 \* 10/2001 Faircloth ..... B65D 73/0078  
206/279  
2002/0130055 A1 \* 9/2002 Morrison, Jr. .... B65D 73/0078  
206/297  
2003/0159962 A1 \* 8/2003 Heo ..... B65D 73/0071  
206/461  
2004/0112772 A1 \* 6/2004 Kimura ..... B65D 73/0071  
206/297  
2007/0045136 A1 \* 3/2007 Kim ..... B65D 25/22  
206/278

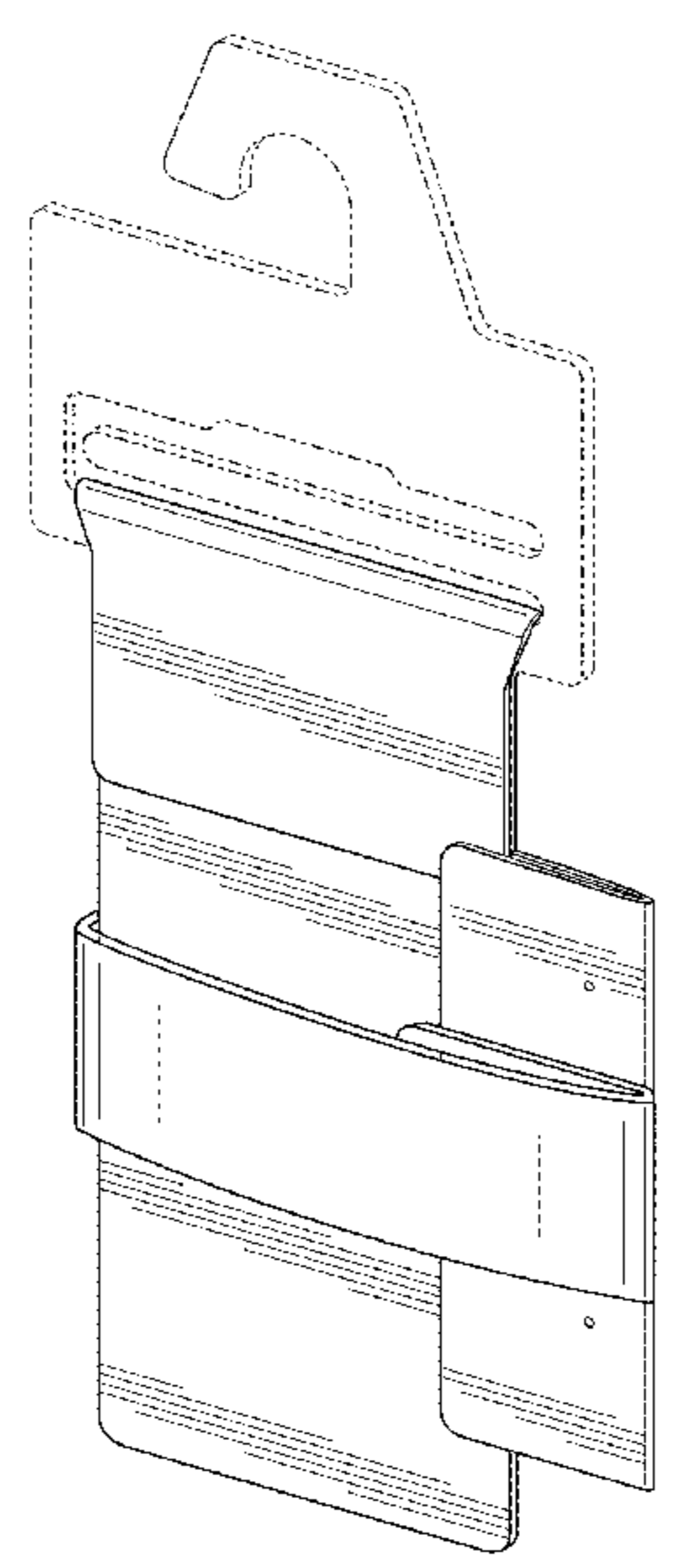
(Continued)

*Primary Examiner* — Derrick Holland  
*Assistant Examiner* — Lauren Calve  
(74) *Attorney, Agent, or Firm* — Notaro, Michalos & Zaccaria P.C.

(57) **CLAIM**  
The ornamental design for a bow tie and accessory holder, as shown and described.

**DESCRIPTION**  
FIG. 1 is a front, top left perspective view of a bow tie and accessory holder;  
FIG. 2 is a front elevation view thereof;  
FIG. 3 is a rear elevational view thereof;  
FIG. 4 is a right side elevational view thereof;  
FIG. 5 is a left side elevation view thereof;  
FIG. 6 is a top plan view thereof; and,  
FIG. 7 is a bottom plan view thereof.  
The broken lines shown represent unclaimed subject matter and form no part of the claimed design.

**1 Claim, 5 Drawing Sheets**



(56)

**References Cited**

U.S. PATENT DOCUMENTS

2007/0108075 A1\* 5/2007 Withers ..... B65D 85/18  
206/299  
2010/0059396 A1\* 3/2010 Lindars ..... B65D 73/0071  
206/299

\* cited by examiner

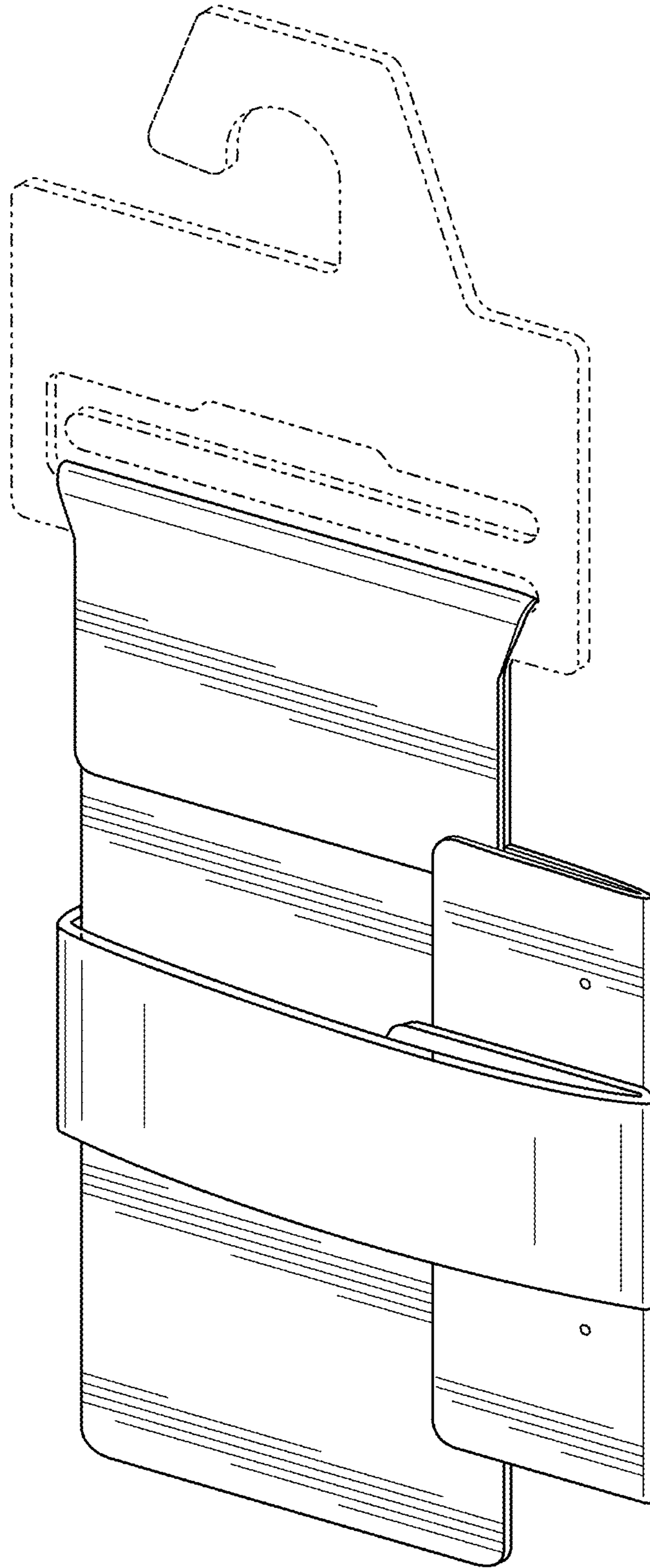


FIG. 1

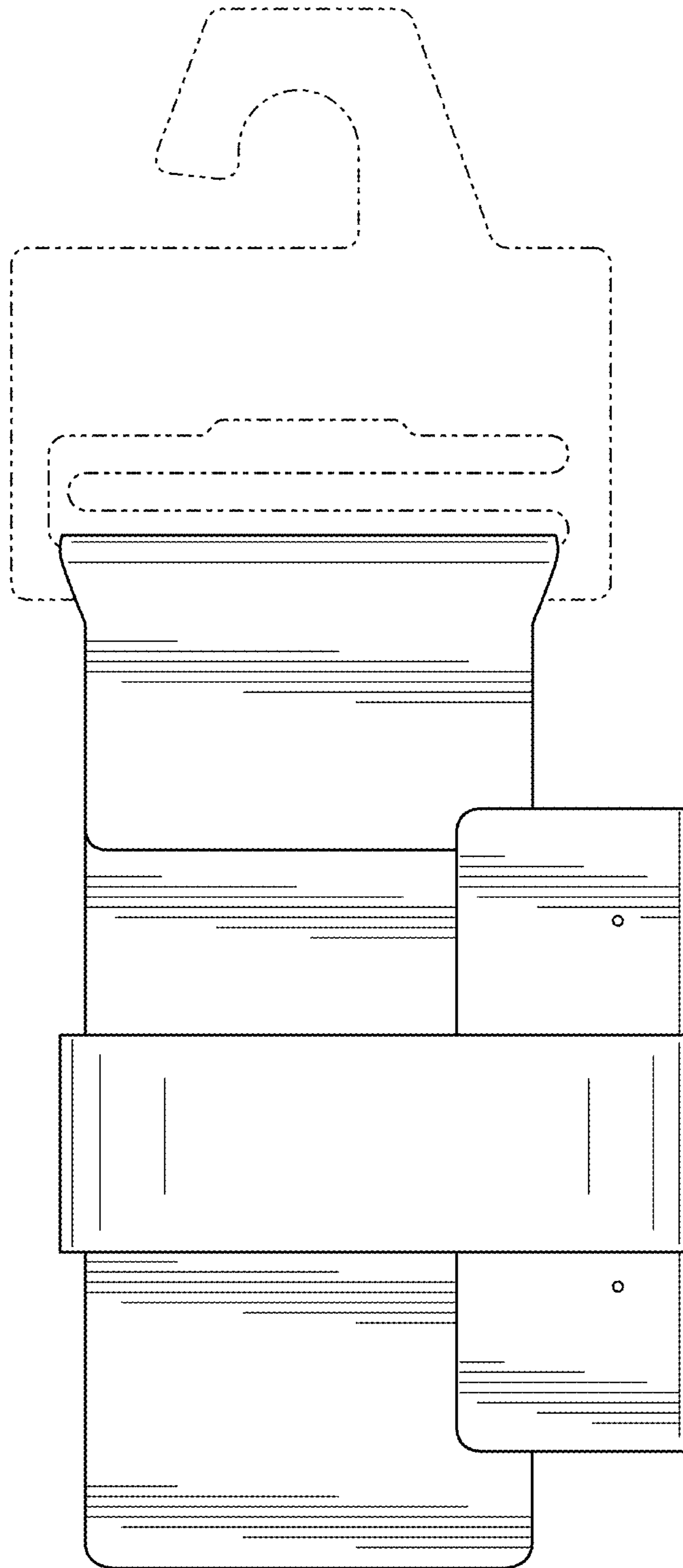


FIG. 2

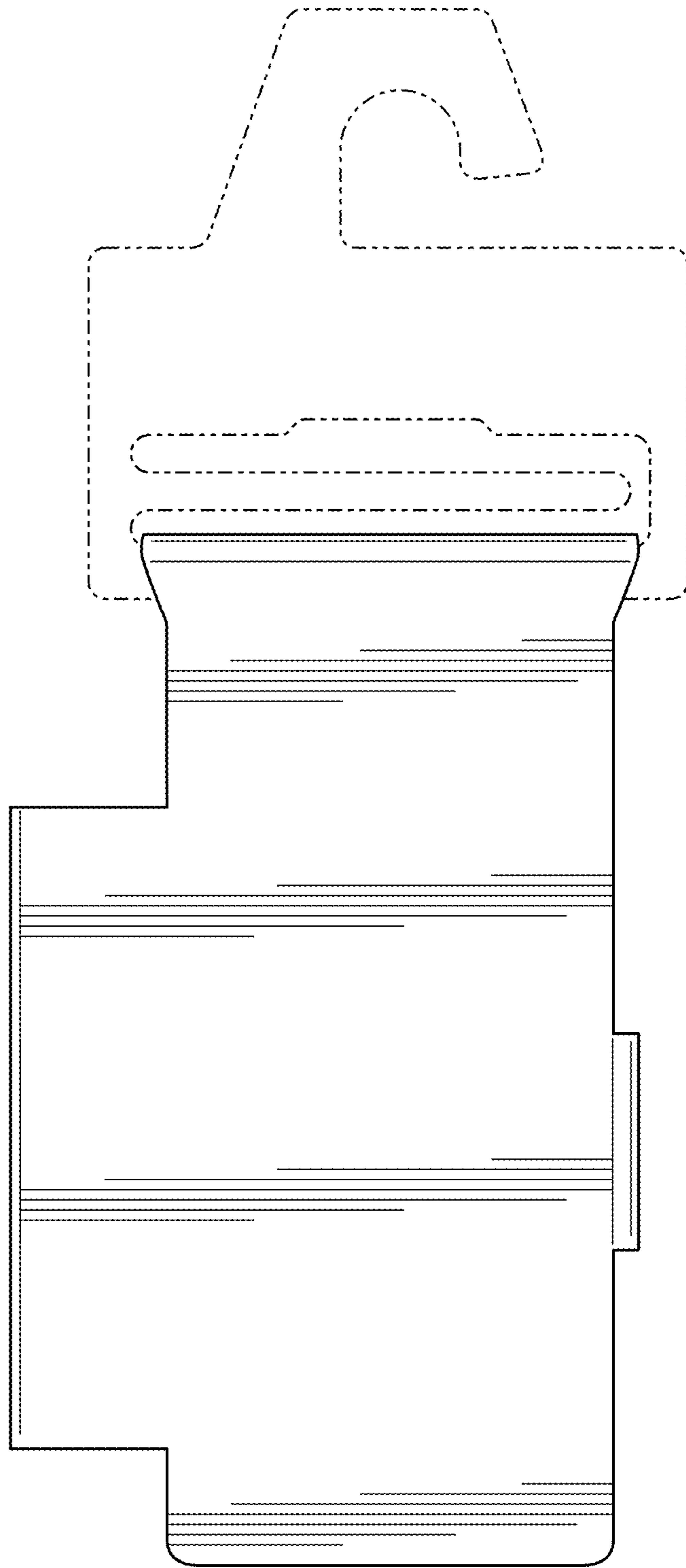


FIG. 3



FIG. 4



FIG. 5

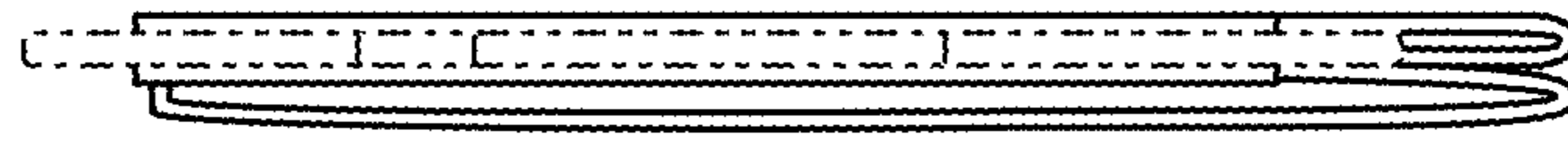


FIG. 6

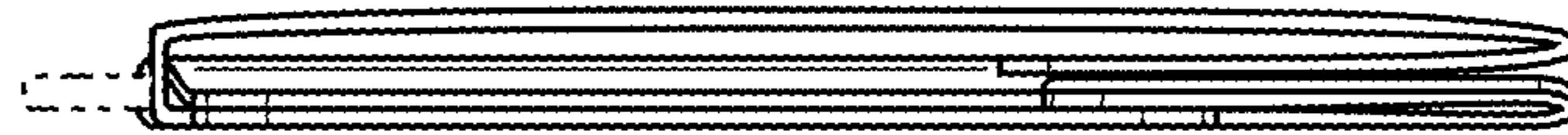


FIG. 7