



US00D786059S

(12) **United States Design Patent** (10) **Patent No.:** **US D786,059 S**
Lee (45) **Date of Patent:** **** May 9, 2017**

(54) **PRE-TIED BOW TIE AND ACCESSORY HOLDER**
(71) Applicant: **In Y. Lee**, Great Neck, NY (US)
(72) Inventor: **In Y. Lee**, Great Neck, NY (US)
(**) Term: **15 Years**
(21) Appl. No.: **29/569,333**
(22) Filed: **Jun. 27, 2016**
(51) **LOC (10) Cl.** **09-03**
(52) **U.S. Cl.**
USPC **D9/415**
(58) **Field of Classification Search**
USPC D9/415, 433, 457, 702, 722; D6/315
CPC .. B65D 85/18; B65D 85/182; B65D 73/0071;
B65D 5/18; B65D 5/5021; B65D
73/0064; B65D 75/14; B65D 73/0078;
B65D 33/14; B65D 75/54; B65D 77/26;
B65D 5/4208; B65D 75/04; B65D 75/02;
B65D 75/38; B65D 25/22; B65D 5/5035
See application file for complete search history.

(56) **References Cited**

U.S. PATENT DOCUMENTS

D327,427 S * 6/1992 McCooley D9/722
5,328,065 A * 7/1994 Kolton A47G 25/743
223/85
5,429,284 A * 7/1995 Kolton A47G 25/743
223/85
5,469,959 A * 11/1995 Gummer B65D 73/0078
206/299
5,503,269 A * 4/1996 DeBiasio B65D 85/18
206/296
5,857,597 A * 1/1999 Kolton A47G 25/743
150/131
6,237,762 B1 * 5/2001 Faircloth B65D 73/0078
206/297
D493,715 S * 8/2004 Izen D9/415

7,441,678 B2 * 10/2008 Ford B65D 73/0071
206/292
7,500,559 B2 * 3/2009 Kim B65D 25/22
206/278
D690,077 S * 9/2013 Kim D2/606
D696,838 S * 1/2014 Kim D2/606
D703,525 S * 4/2014 Quinn D9/415
D706,520 S * 6/2014 Kim D2/606
D767,385 S * 9/2016 McDonald D9/415
2001/0030136 A1 * 10/2001 Faircloth B65D 73/0078
206/279
2002/0130055 A1 * 9/2002 Morrison, Jr. B65D 73/0078
206/297
2003/0159962 A1 * 8/2003 Heo B65D 73/0071
206/461
2004/0112772 A1 * 6/2004 Kimura B65D 73/0071
206/297
2007/0045136 A1 * 3/2007 Kim B65D 25/22
206/278

(Continued)

Primary Examiner — Derrick Holland
Assistant Examiner — Lauren Calve
(74) *Attorney, Agent, or Firm* — Notaro, Michalos & Zaccaria P.C.

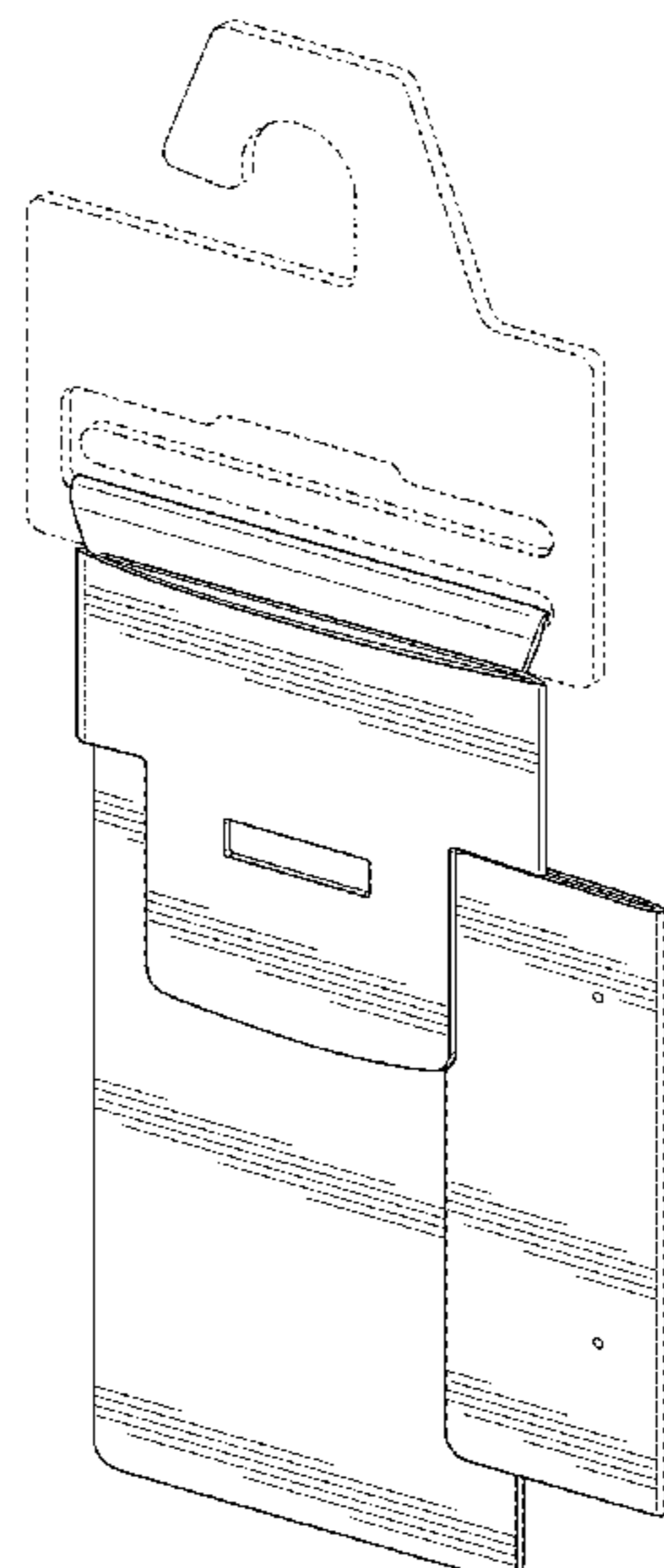
(57) **CLAIM**

The ornamental design for a pre-tied bow tie and accessory holder, as shown and described.

DESCRIPTION

FIG. 1 is a front, top, left perspective view of a pre-tied bow tie and accessory holder;
FIG. 2 is a front elevational view thereof;
FIG. 3 is a rear elevational view thereof;
FIG. 4 is a right side elevational view thereof;
FIG. 5 is a left side elevational view thereof;
FIG. 6 is a top plan view thereof; and,
FIG. 7 is a bottom plan view thereof.
The broken lines shown represent unclaimed subject matter and form no part of the claimed design.

1 Claim, 5 Drawing Sheets



(56)

References Cited

U.S. PATENT DOCUMENTS

2007/0108075 A1* 5/2007 Withers B65D 85/18
206/299
2010/0059396 A1* 3/2010 Lindars B65D 73/0071
206/299

* cited by examiner

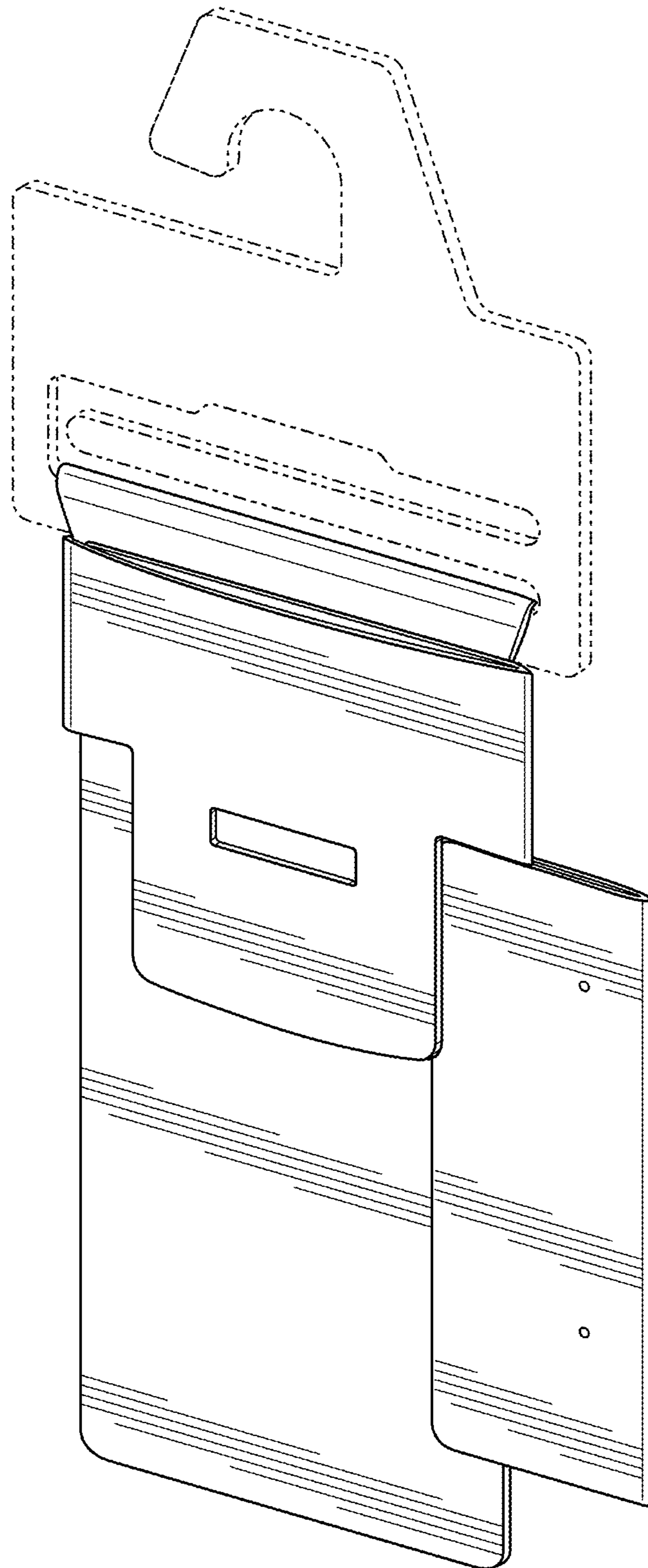


FIG. 1

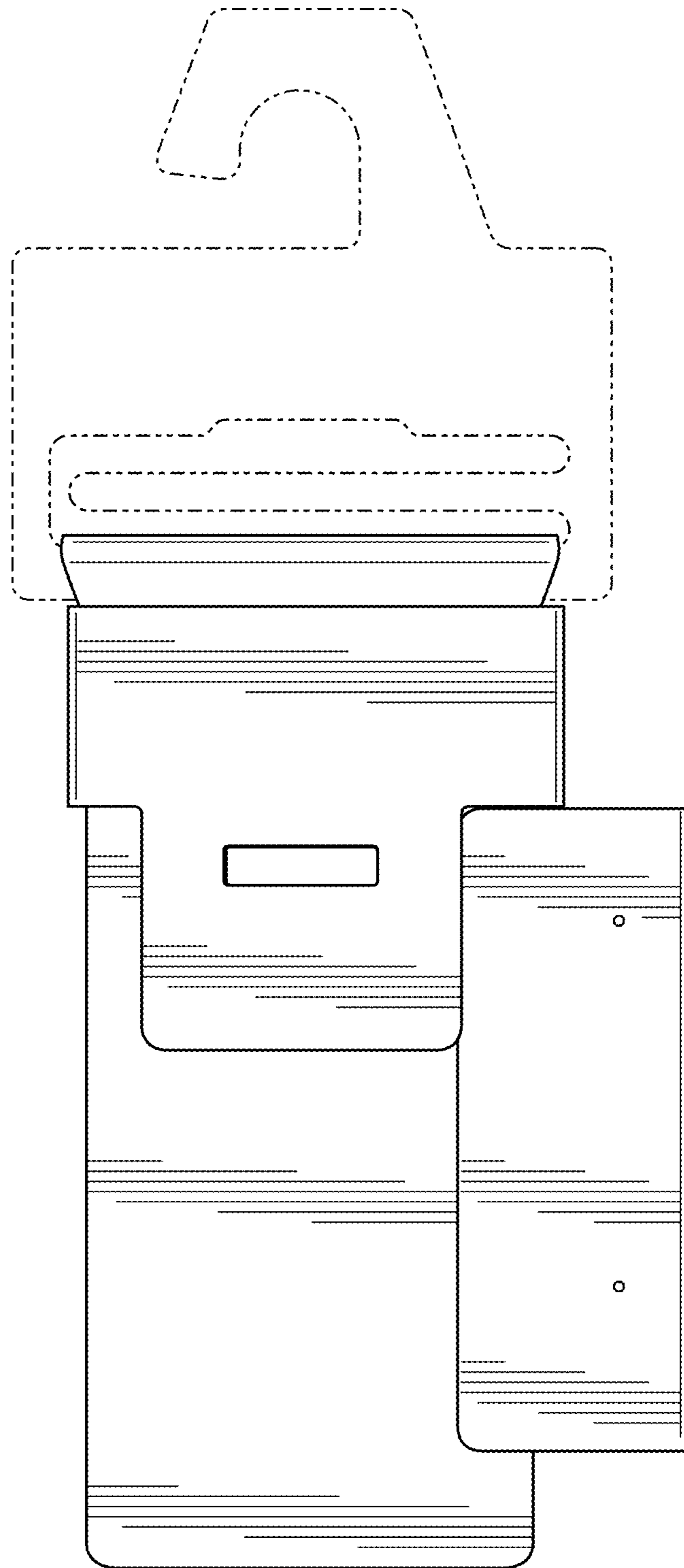


FIG. 2

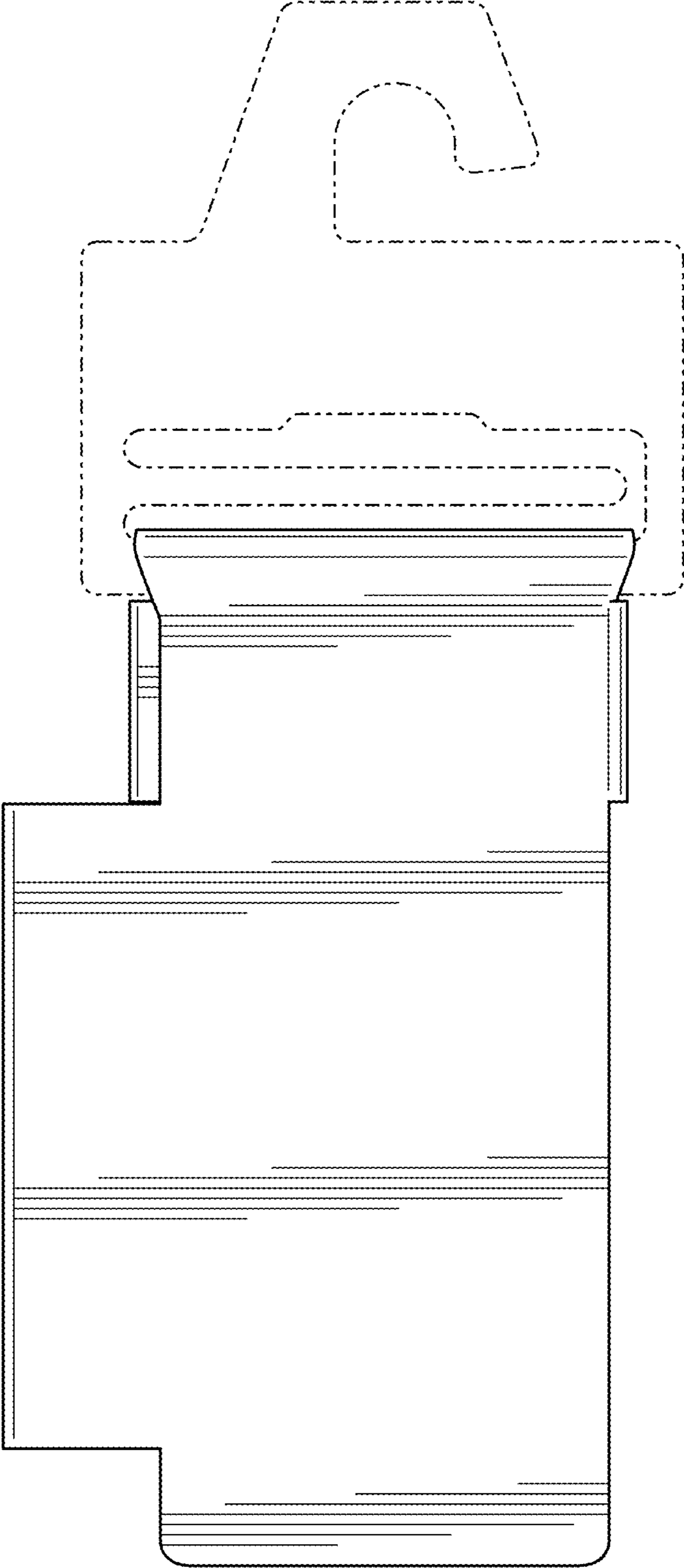


FIG. 3



FIG. 4



FIG. 5

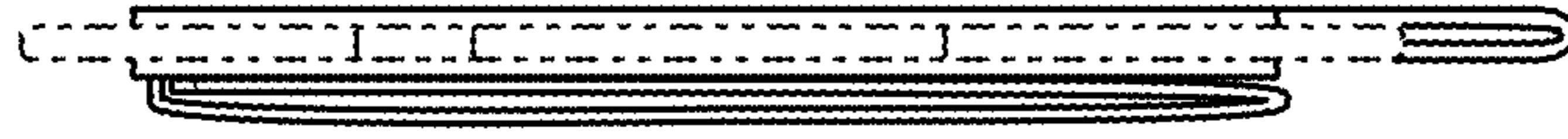


FIG. 6

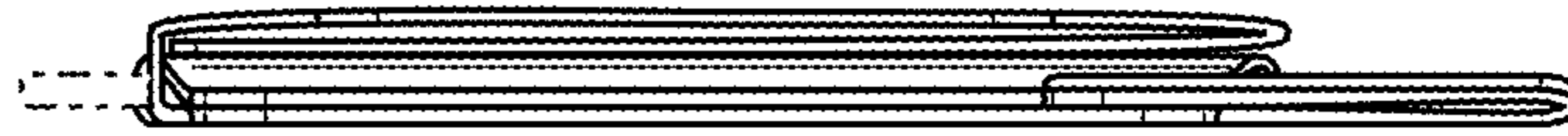


FIG. 7