



US00D786057S

(12) **United States Design Patent**
Baiz et al.

(10) **Patent No.:** **US D786,057 S**

(45) **Date of Patent:** **** May 9, 2017**

(54) **ENGINE VALVE COVER BOLT**

(71) Applicants: **Enrique J. Baiz**, Miramar, FL (US);
Oswaldo Izquierdo, Homestead, FL (US)

(72) Inventors: **Enrique J. Baiz**, Miramar, FL (US);
Oswaldo Izquierdo, Homestead, FL (US)

(**) Term: **15 Years**

(21) Appl. No.: **29/563,468**

(22) Filed: **May 4, 2016**

(51) **LOC (10) Cl.** **08-01**

(52) **U.S. Cl.**
USPC **D8/397**

(58) **Field of Classification Search**
USPC D8/397, 394, 382, 349, 399, 387, 392,
D8/323, 8; D13/151, 133; D23/303
CPC F16B 37/00; F16B 37/14; F16B 37/02;
F16B 37/068; F16B 39/12; F16B 33/02
See application file for complete search history.

(56) **References Cited**

U.S. PATENT DOCUMENTS

D30,898 S *	5/1899	Paine	411/427
D225,970 S *	1/1973	O'Donnell	D8/387
D427,511 S *	7/2000	Weld	D8/397
D460,398 S *	7/2002	Berry	D12/213
D469,345 S *	1/2003	Berry	D8/382
D549,568 S *	8/2007	Schaeffer	D8/397
D581,777 S *	12/2008	Huang	D8/397

D613,595 S *	4/2010	Huang	D12/213
D720,208 S *	12/2014	Jordan	D8/397
D731,300 S *	6/2015	Vargas	D8/397
D738,265 S *	9/2015	McNeeley	D12/118

* cited by examiner

Primary Examiner — John Windmuller
Assistant Examiner — Benjamin Weeks
(74) *Attorney, Agent, or Firm* — Quickpatents, LLC;
Kevin Prince

(57) **CLAIM**

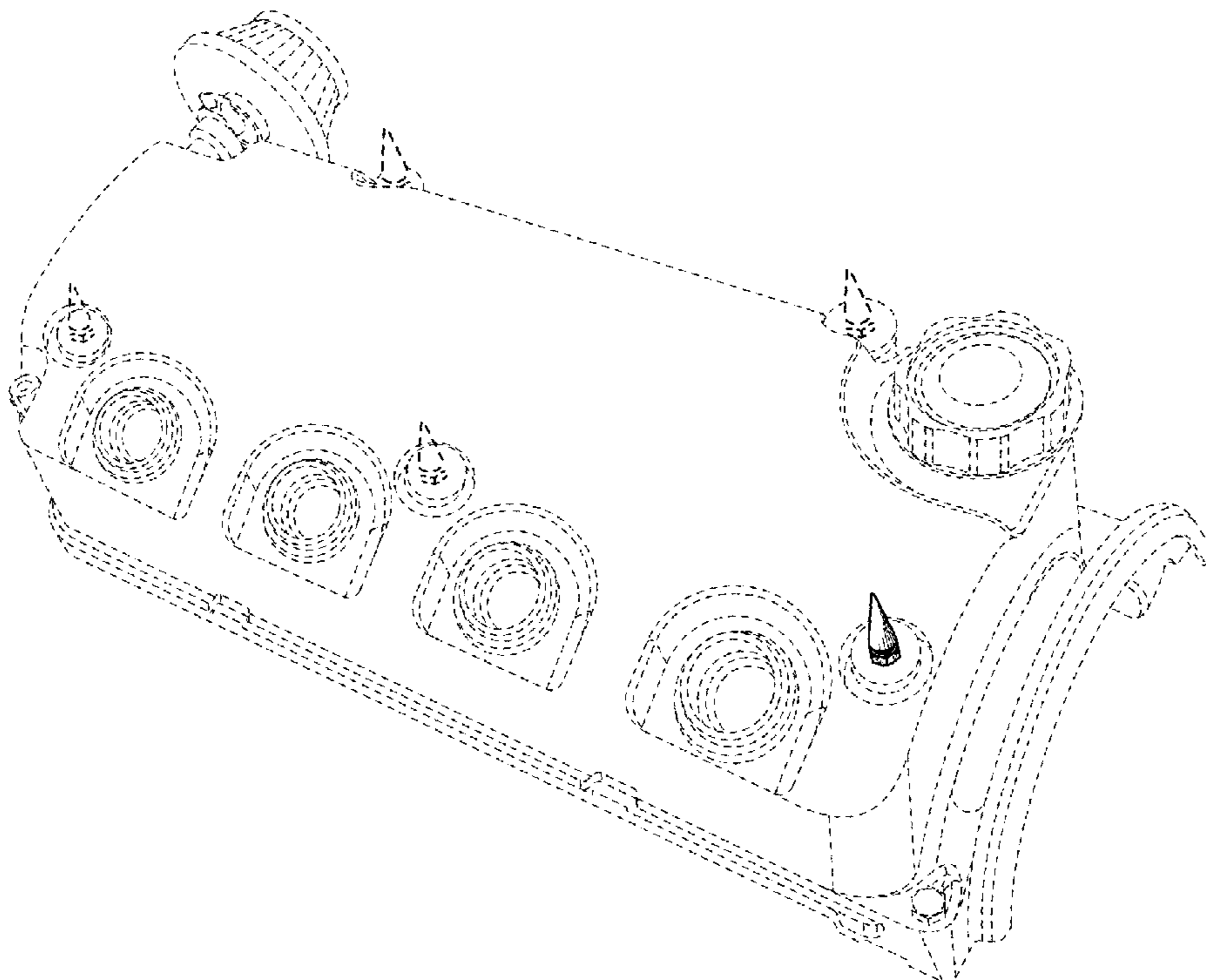
We claim the ornamental design for an engine valve cover bolt, as shown and described.

DESCRIPTION

FIG. 1 is a top perspective view of an engine valve cover bolt, showing our new design;
FIG. 2 is a bottom perspective view thereof;
FIG. 3 is a front elevational view thereof, the rear elevational view being a mirror image thereof;
FIG. 4 is a left-side elevational view thereof, the right-side elevational view being a mirror image thereof;
FIG. 5 is a top plan view thereof;
FIG. 6 is a bottom plan view thereof; and,
FIG. 7 is a cross-sectional view thereof, taken along line 7-7 of FIG. 3.

The broken lines showing an engine and additional engine valve cover bolts in FIG. 1 illustrate environmental matter and form no part of the claimed design.

1 Claim, 3 Drawing Sheets



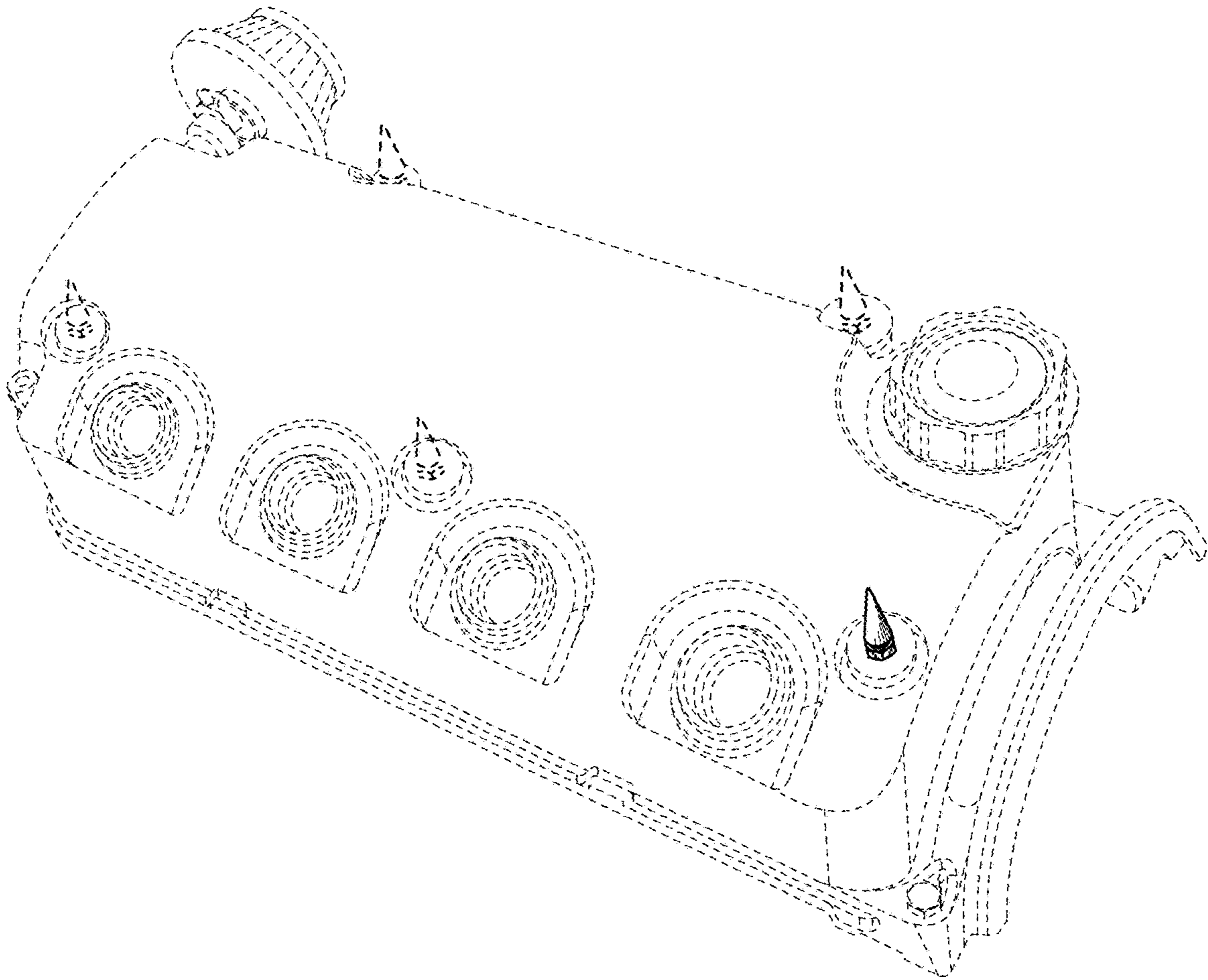


FIG. 1

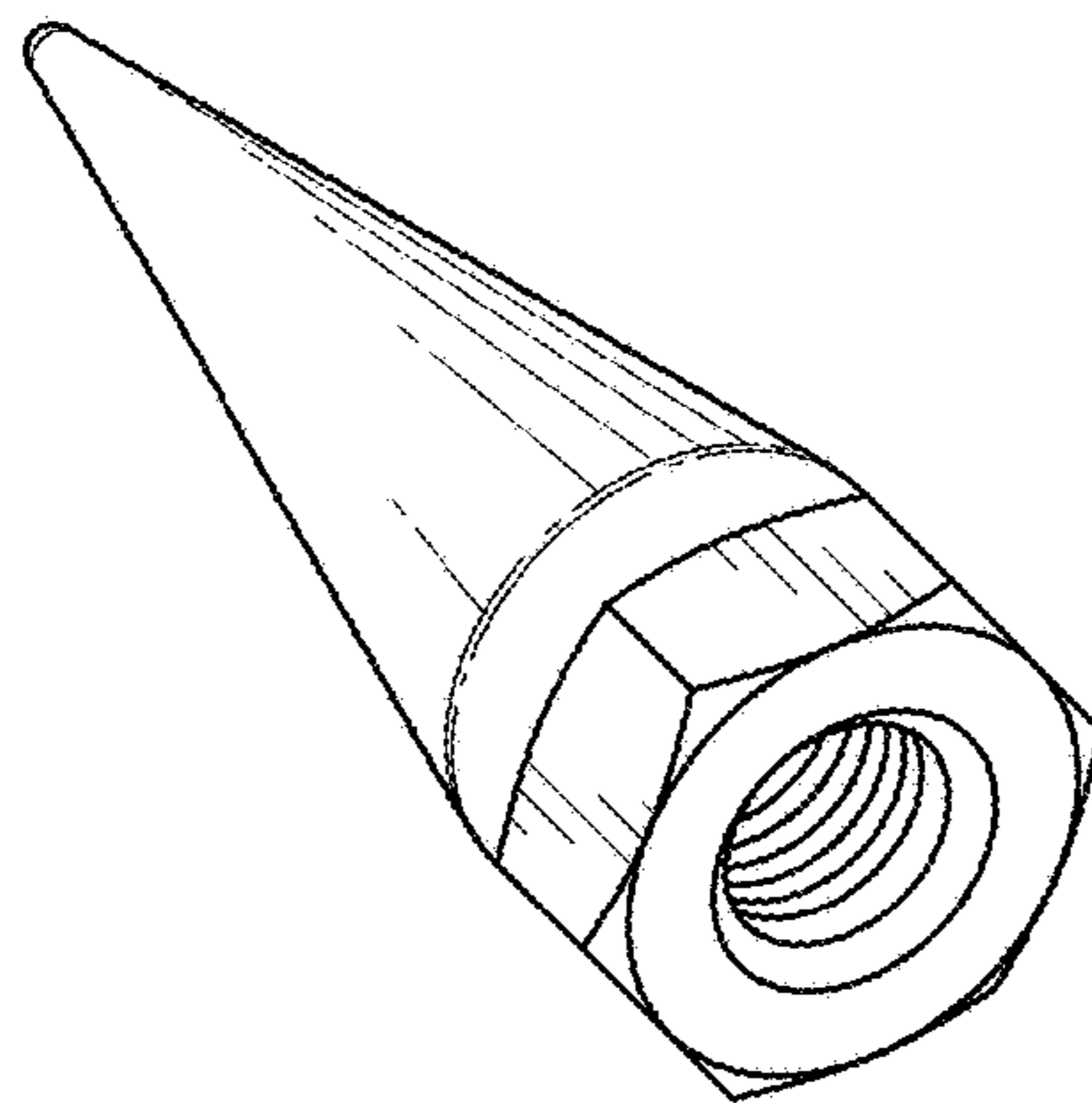


FIG. 2

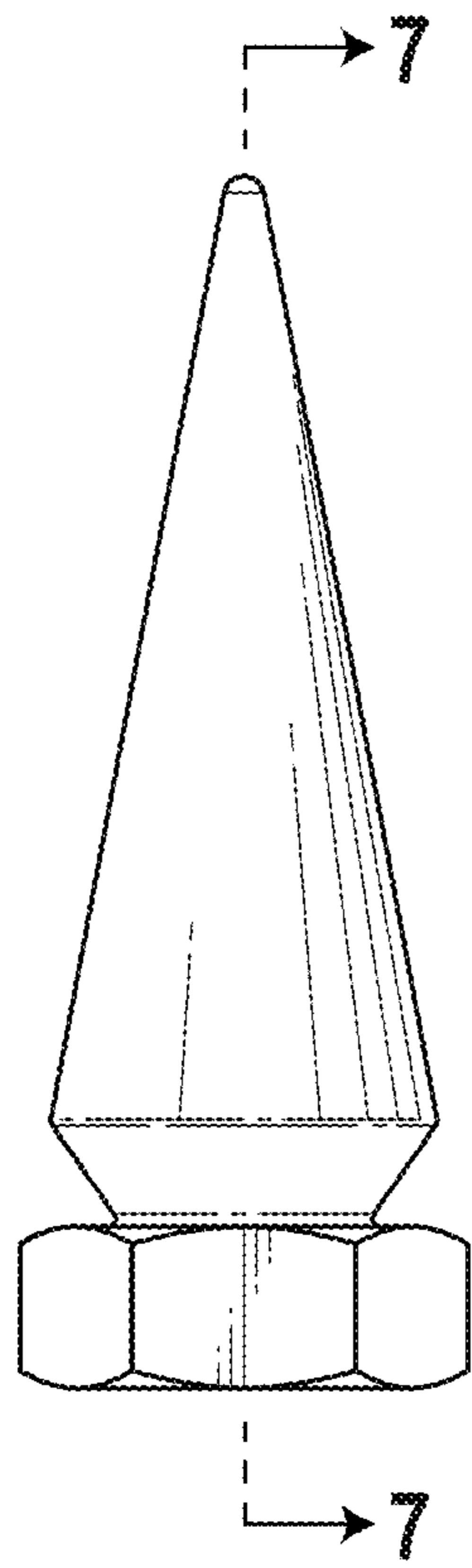


FIG. 3

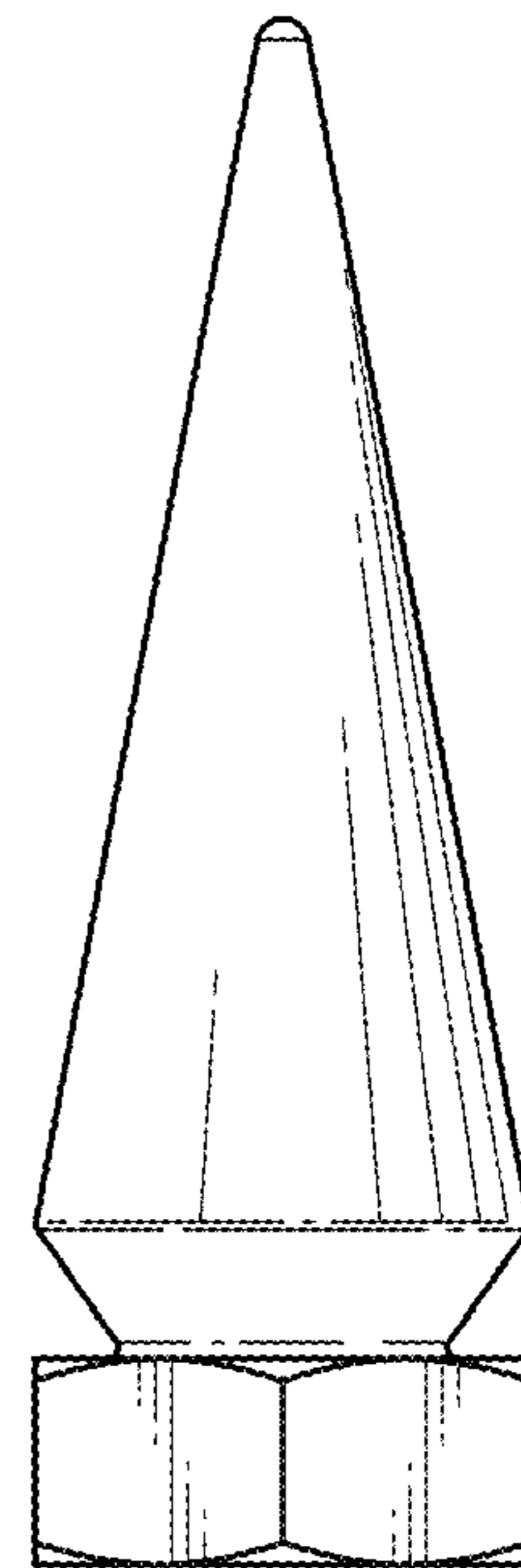


FIG. 4

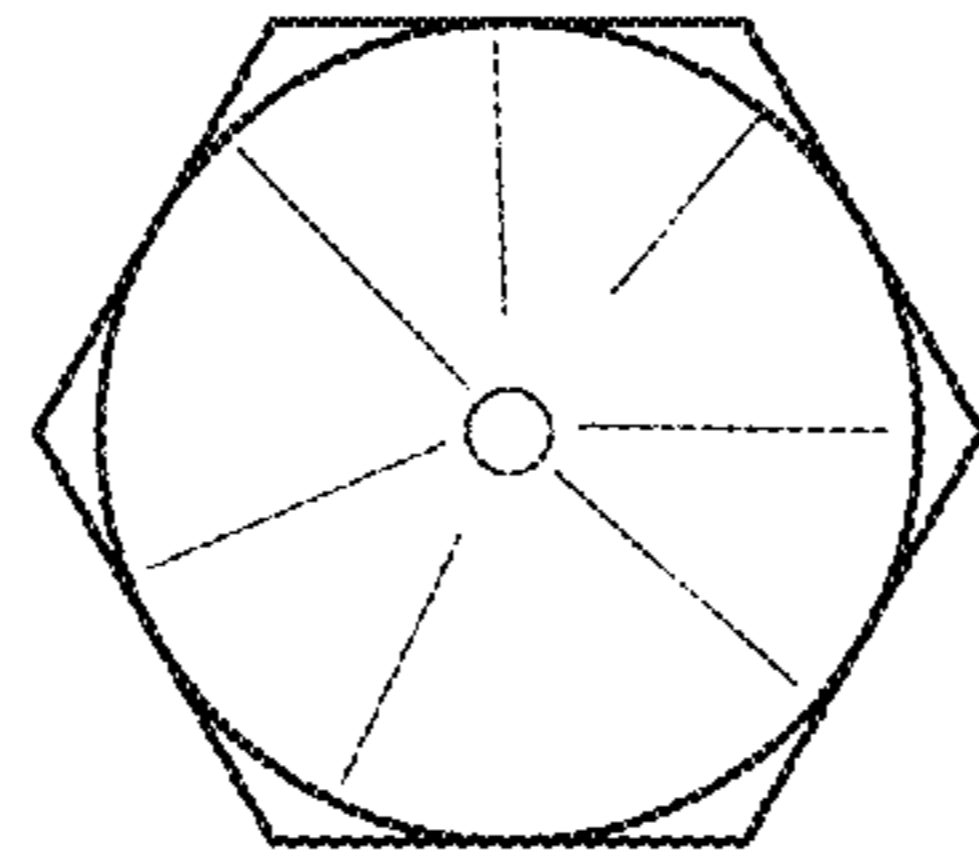


FIG. 5

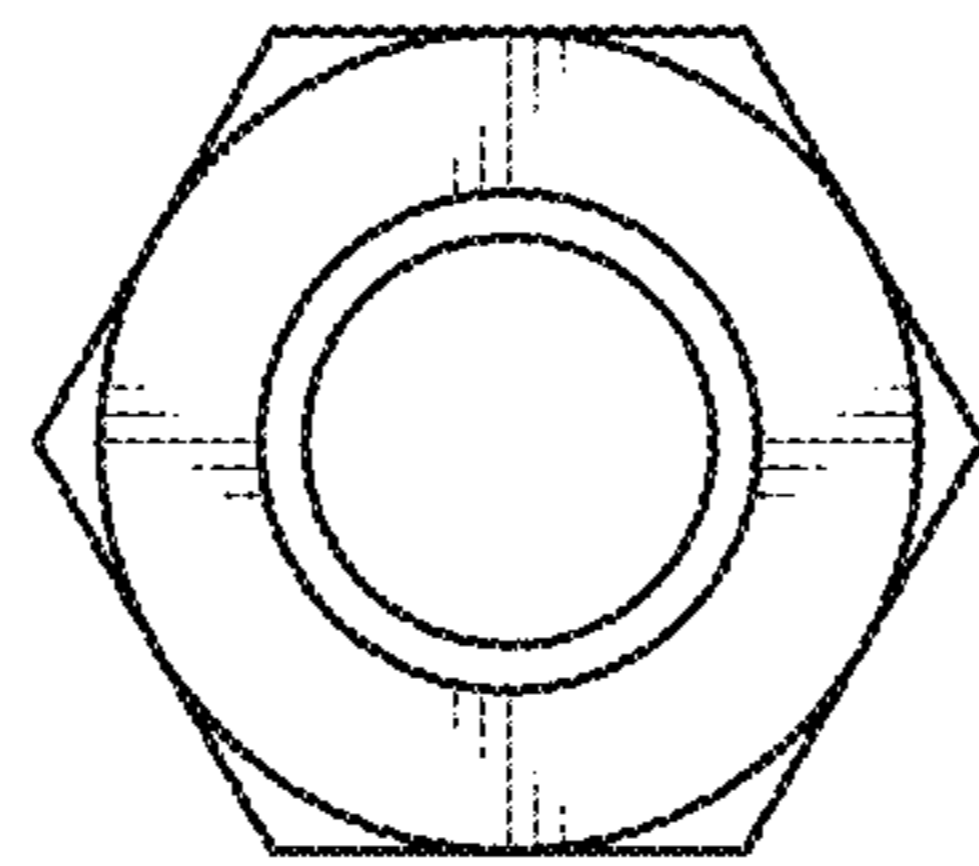


FIG. 6

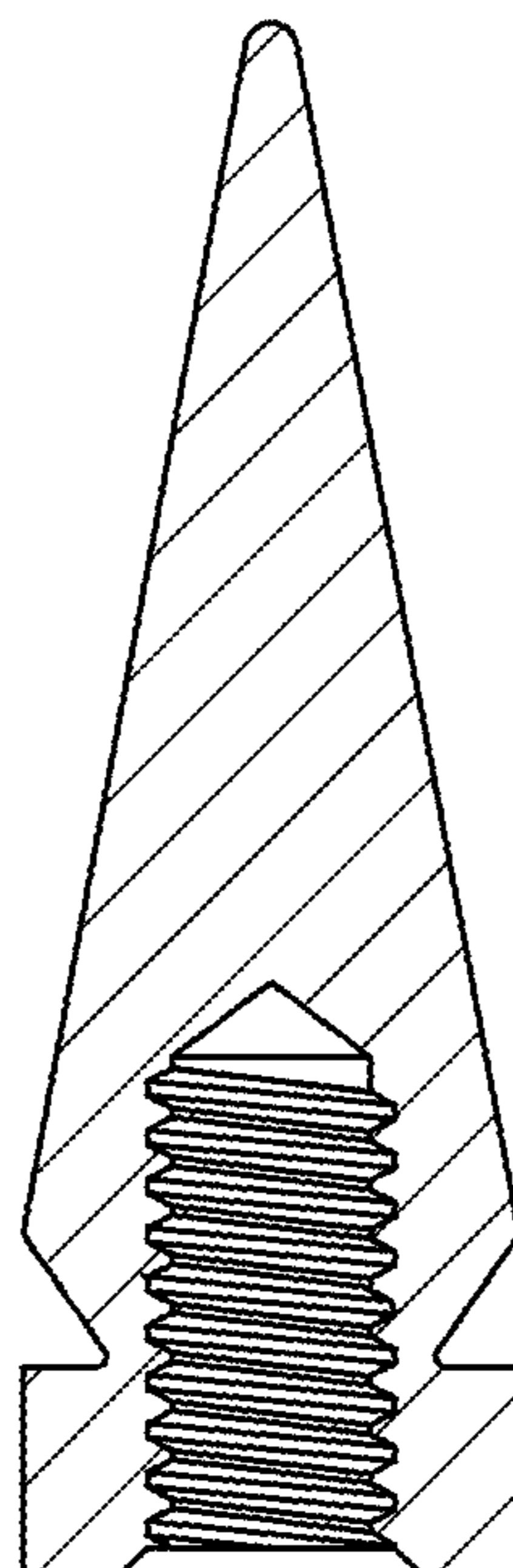


FIG. 7