



US00D786056S

(12) **United States Design Patent** (10) **Patent No.:** **US D786,056 S**  
**Baiz et al.** (45) **Date of Patent:** **\*\* May 9, 2017**

(54) **THREADED LUG NUT**  
(71) Applicant: **ESR PERFORMANCE CORP,**  
Miami, FL (US)  
(72) Inventors: **Enrique J Baiz,** Miramar, FL (US);  
**Oswaldo Izquierdo,** Homestead, FL  
(US)

7,392,674 B1 \* 7/2008 Grote ..... F16B 37/14  
411/910  
D590,243 S \* 4/2009 Bush ..... D8/397  
D720,208 S \* 12/2014 Jordan ..... D8/397  
D731,300 S \* 6/2015 Vargas ..... D8/397  
D738,265 S \* 9/2015 McNeeley ..... D12/118  
D746,129 S \* 12/2015 Kishida ..... D8/399  
D780,562 S \* 3/2017 Baiz ..... D8/387

(\*\*) Term: **15 Years**  
(21) Appl. No.: **29/546,163**  
(22) Filed: **Nov. 19, 2015**  
(51) **LOC (10) Cl.** ..... **08-08**  
(52) **U.S. Cl.**  
USPC ..... **D8/387**; D8/397  
(58) **Field of Classification Search**  
USPC ..... D8/382, 387, 388, 391, 393, 397, 399;  
D12/202, 213, 223, 400, 207, 208  
CPC ..... F16B 37/00; F16B 37/14; F16B 37/145;  
F16B 35/04; F16B 35/06; F16B 41/00;  
F16B 41/002; F16B 41/005; B60B 23/06;  
B60B 23/08; Y10S 411/91; Y10S  
411/914; Y10S 411/915; Y10T 70/5867  
See application file for complete search history.

**OTHER PUBLICATIONS**

VMS Conical Spike Lug Nut Base—Set Of 20—Black, Image post date: Unknown, Site visited on Dec. 22, 2016, <<https://www.ecstuning.com/b-vms-racing-parts/vms-conical-spike-lug-nut-base-set-of-20-black/lg0952bkkt/>>.\*

\* cited by examiner  
*Primary Examiner* — Sandra Snapp  
*Assistant Examiner* — Ieisha Price  
(74) *Attorney, Agent, or Firm* — QuickPatents, LLC;  
Kevin Prince

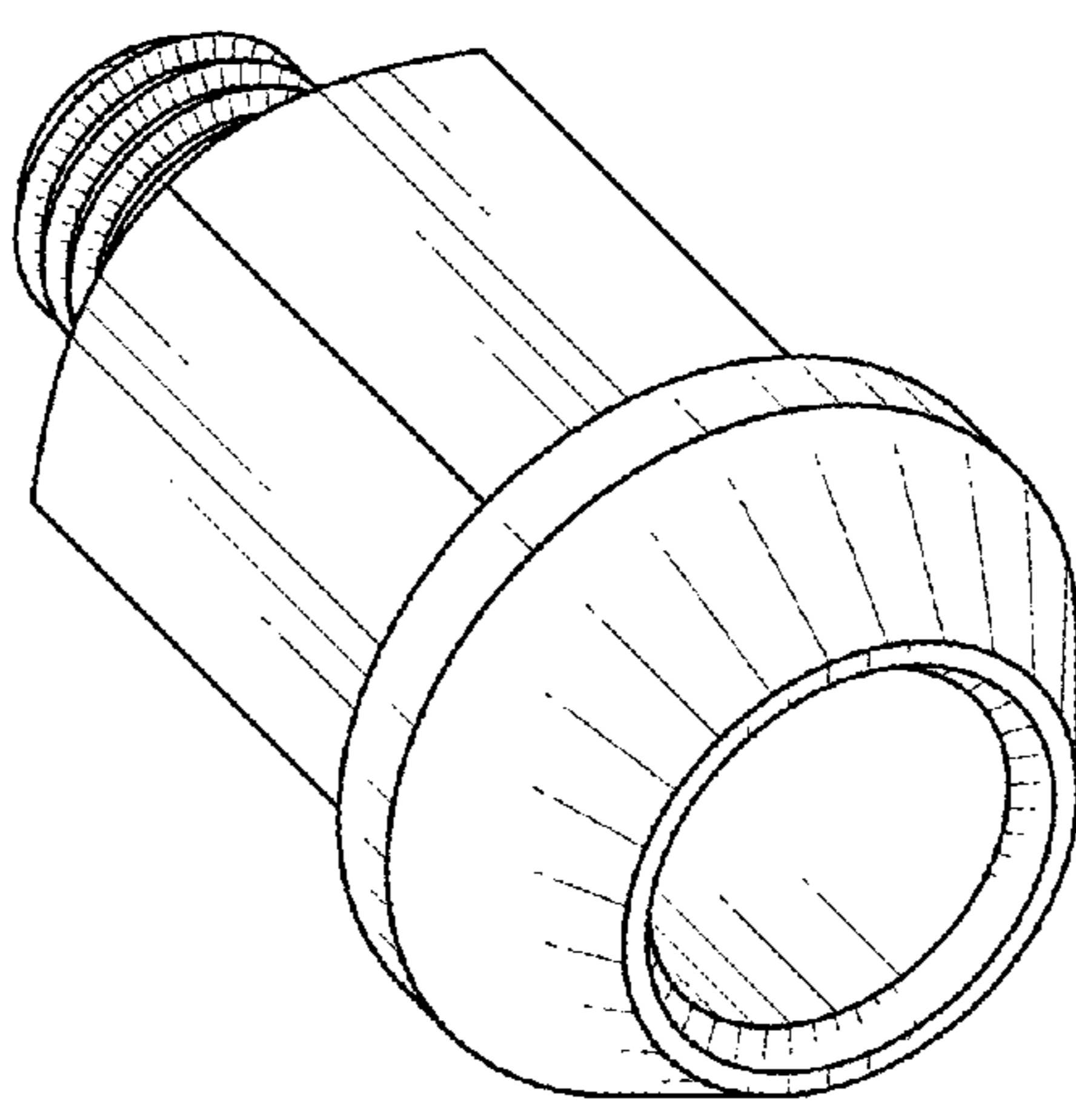
(57) **CLAIM**  
The ornamental design for a threaded lug nut, as shown and described.

(56) **References Cited**  
U.S. PATENT DOCUMENTS  
1,115,307 A \* 10/1914 Guffee ..... F16B 41/002  
29/235  
3,222,976 A \* 12/1965 Holman ..... F16B 23/0061  
301/35.623  
D225,970 S \* 1/1973 O'Donnell ..... D8/387  
3,817,146 A \* 6/1974 Scott ..... F16B 35/044  
29/464  
D268,565 S \* 4/1983 Mortus ..... D8/397  
D292,780 S \* 11/1987 Galask ..... D11/48  
D427,511 S \* 7/2000 Weld ..... D8/397  
D460,398 S \* 7/2002 Berry ..... D12/213  
D469,345 S \* 1/2003 Berry ..... D8/382  
D549,568 S \* 8/2007 Schaeffer ..... D8/397  
7,311,621 B2 \* 12/2007 Sullivan ..... F42B 6/08  
473/583

**DESCRIPTION**

FIG. 1 illustrates a front view of the spiked lug nut cap showing our new design with the rear, left and right side elevation views being a mirror image of; FIG. 2 is a top plan view thereof; FIG. 3 is a bottom plan view thereof; FIG. 4 is a bottom, side perspective view thereof; FIG. 5 is a second bottom, side perspective view showing the opposite side of FIG. 4; FIG. 6 is a top, side perspective view thereof; FIG. 7 is a second top, side perspective view showing the opposite side of FIG. 6; and, FIG. 8 is a section cut view, taken along lines 8-8 of FIG. 3.

**1 Claim, 3 Drawing Sheets**



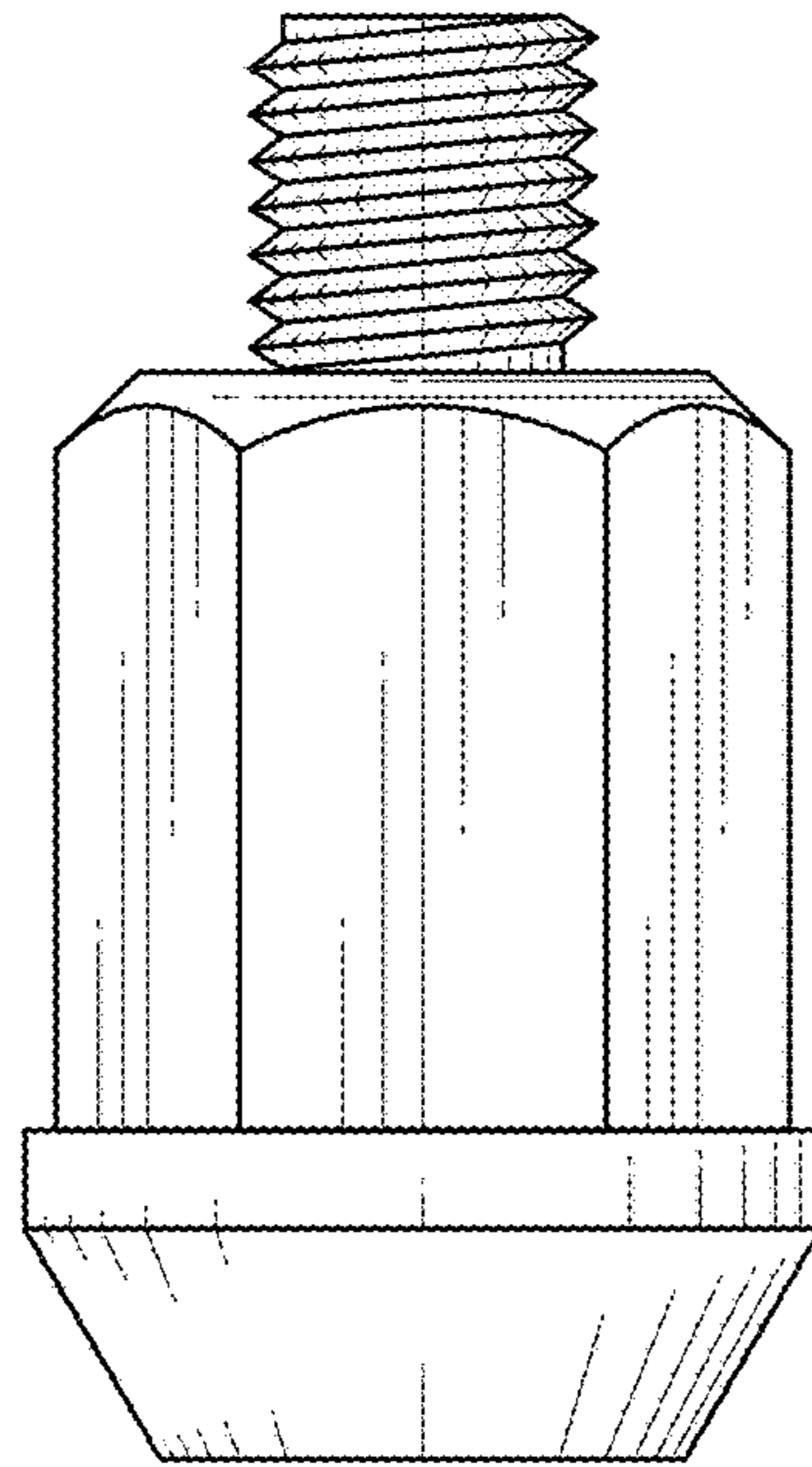


FIG. 1

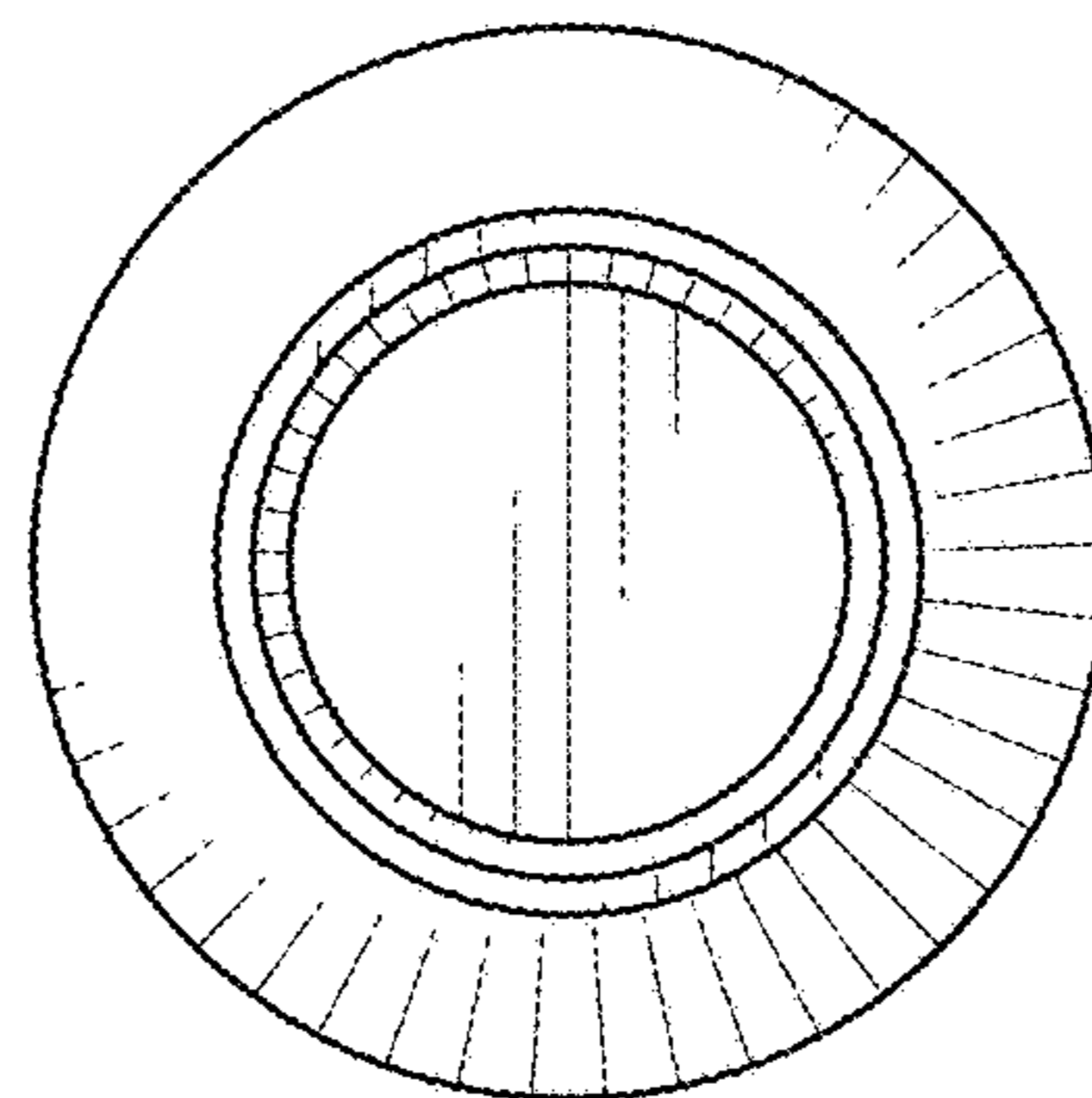


FIG. 2

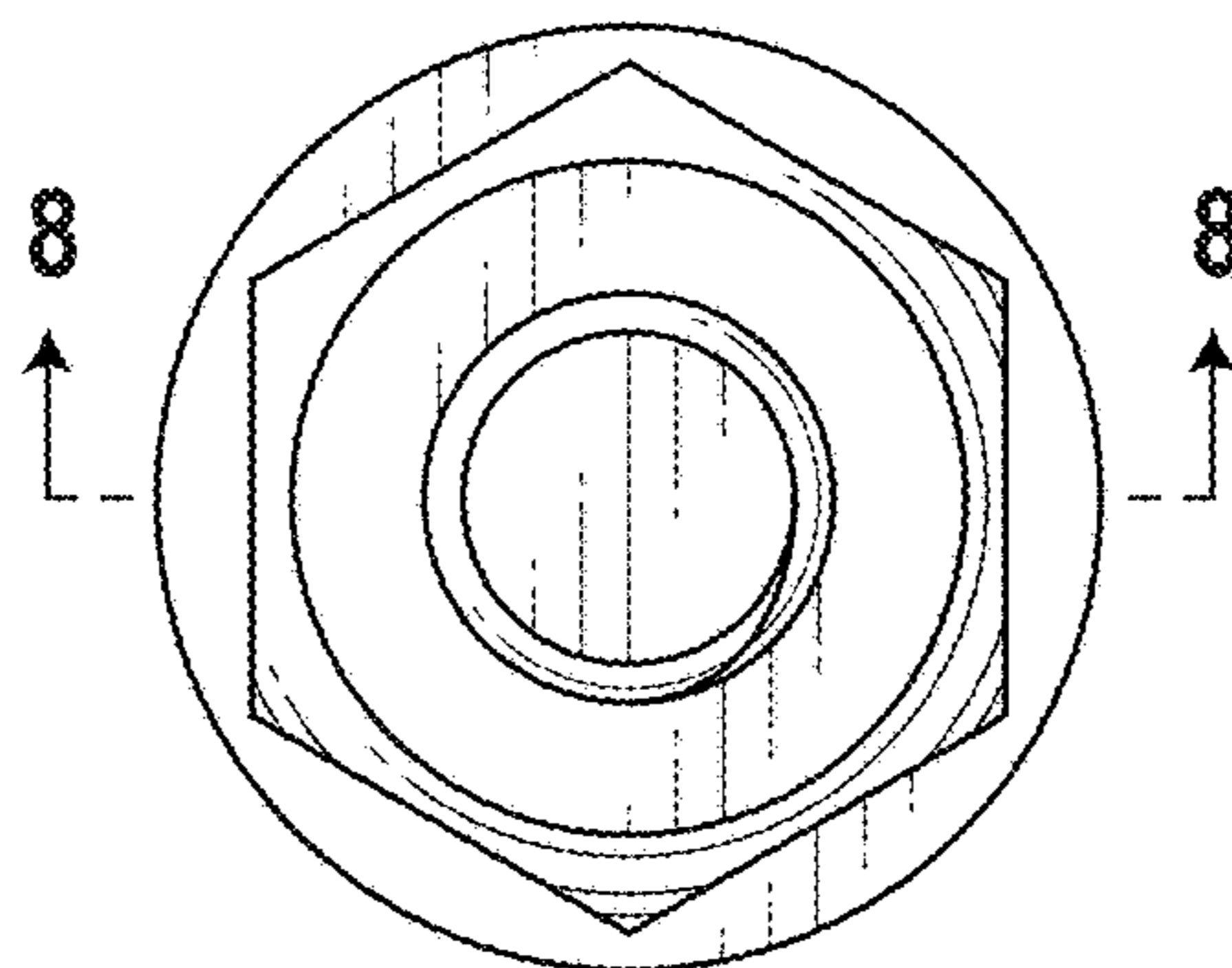


FIG. 3

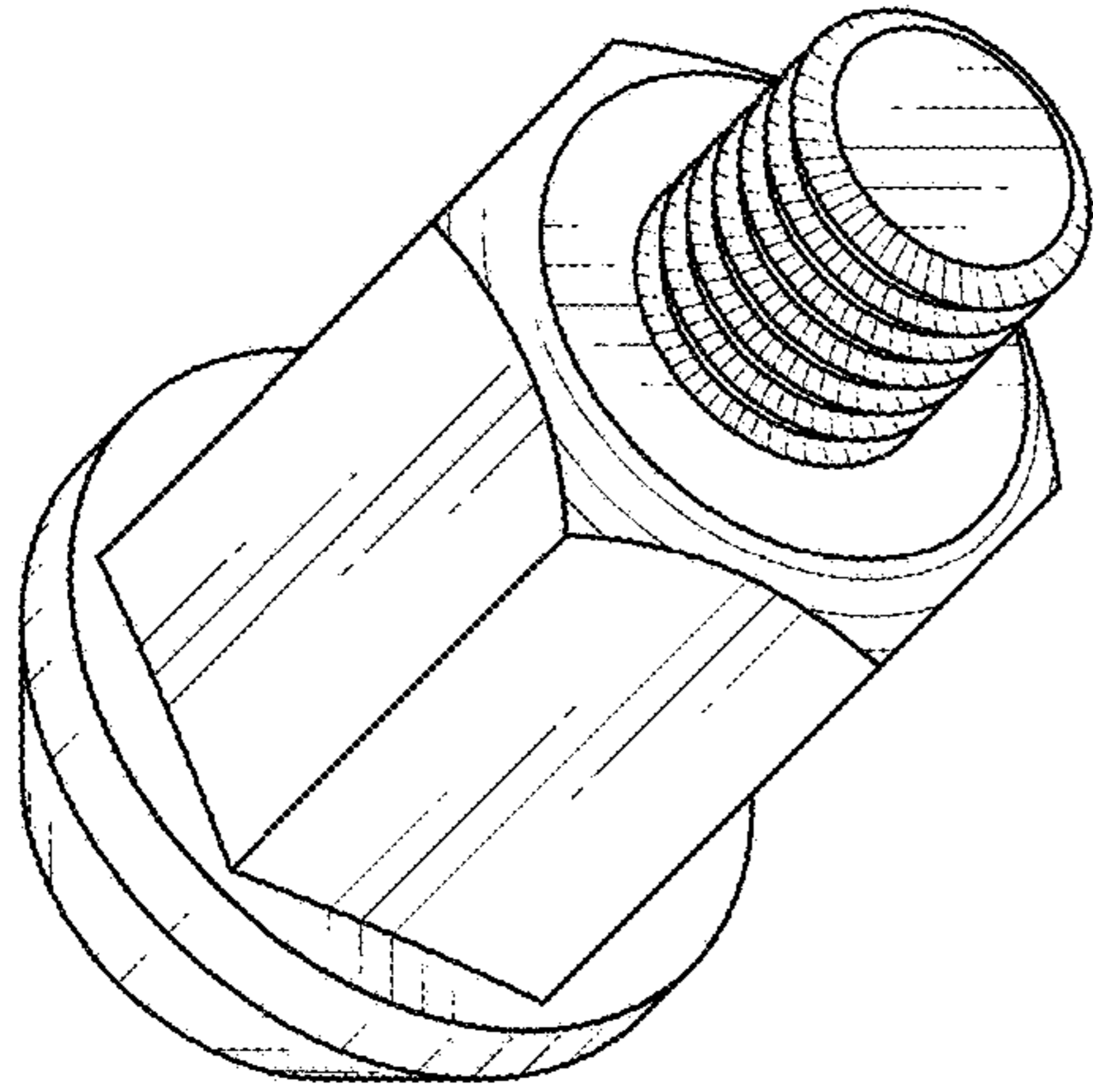


FIG. 4

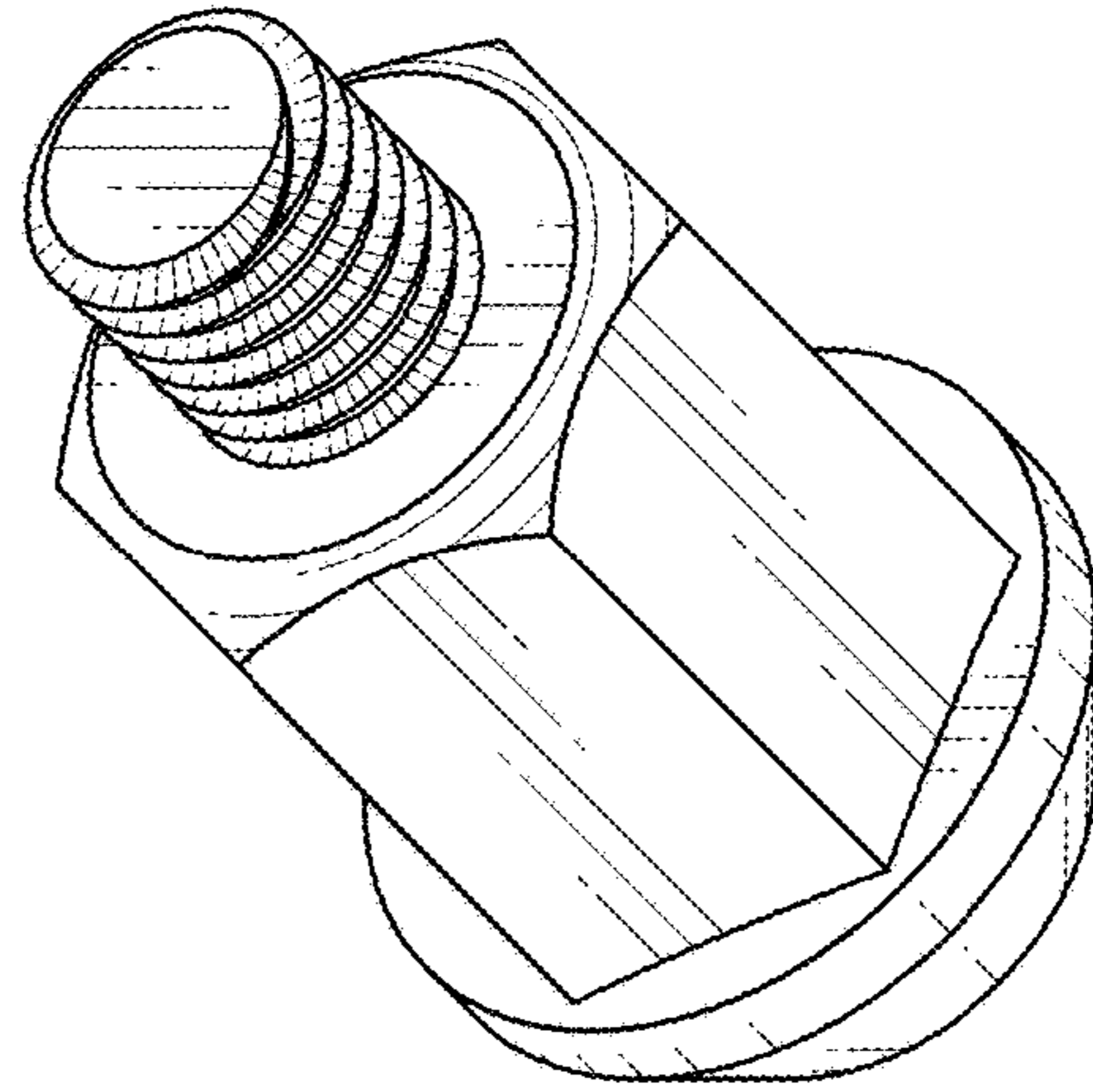


FIG. 5

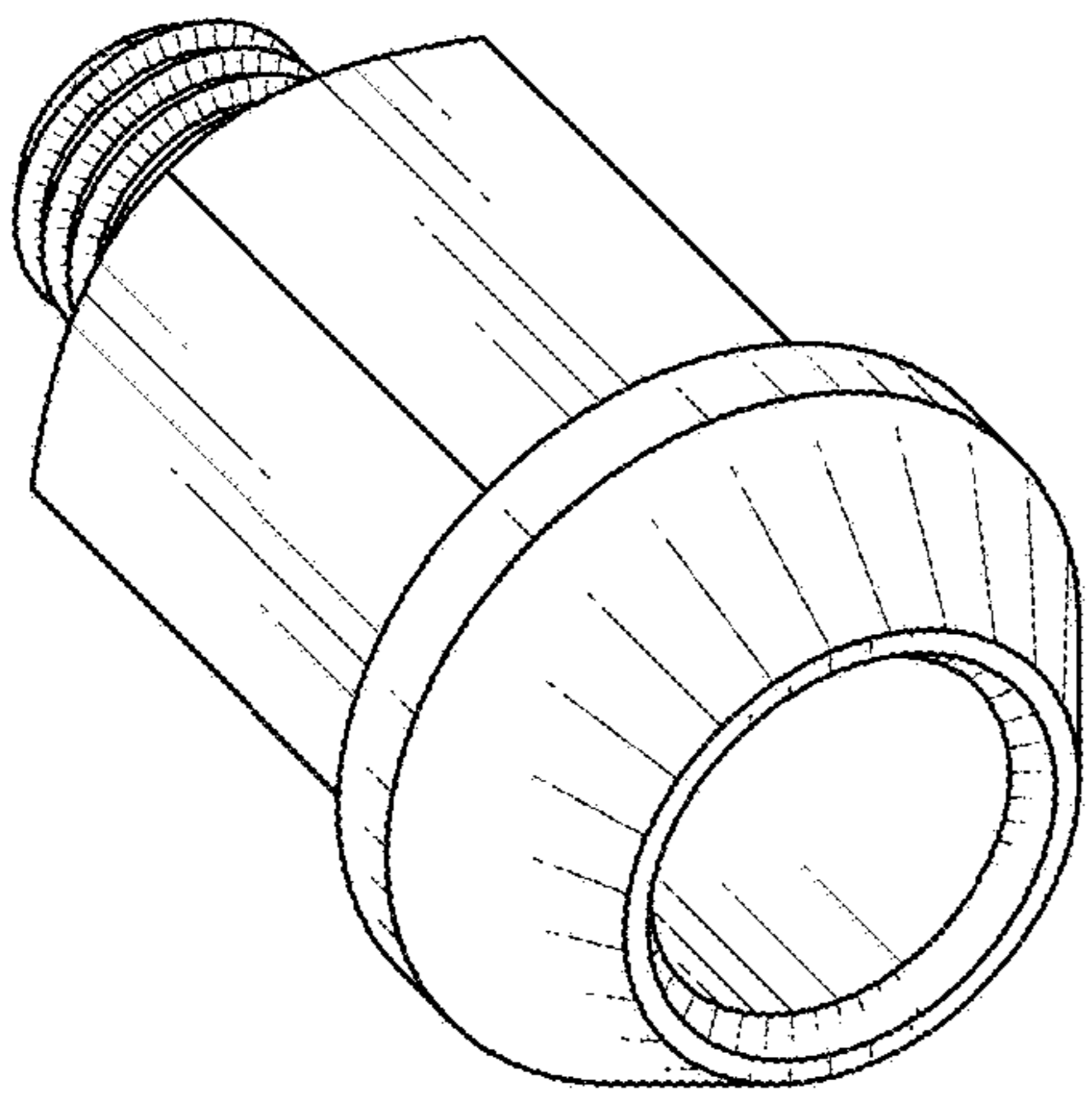


FIG. 6

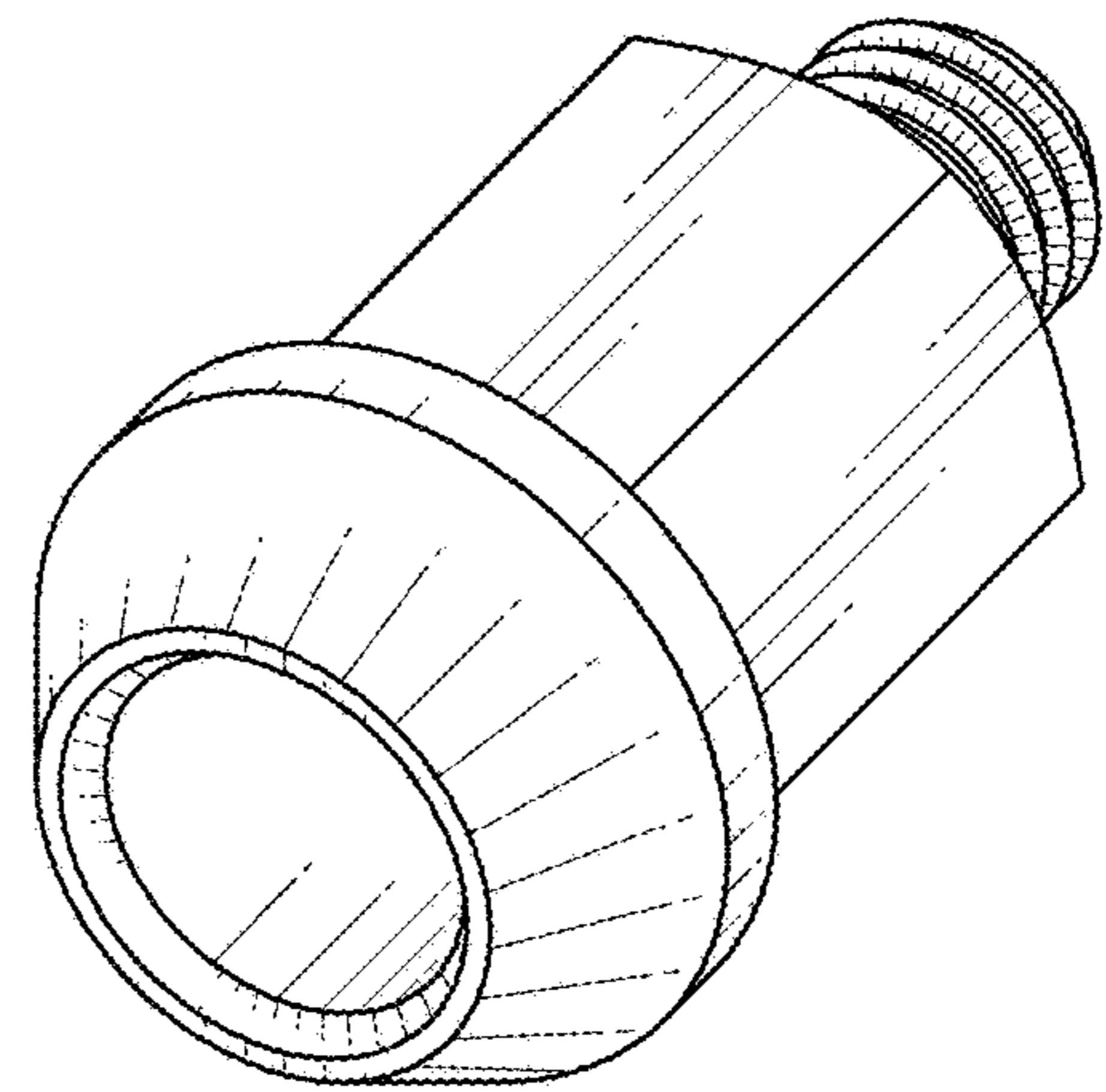


FIG. 7

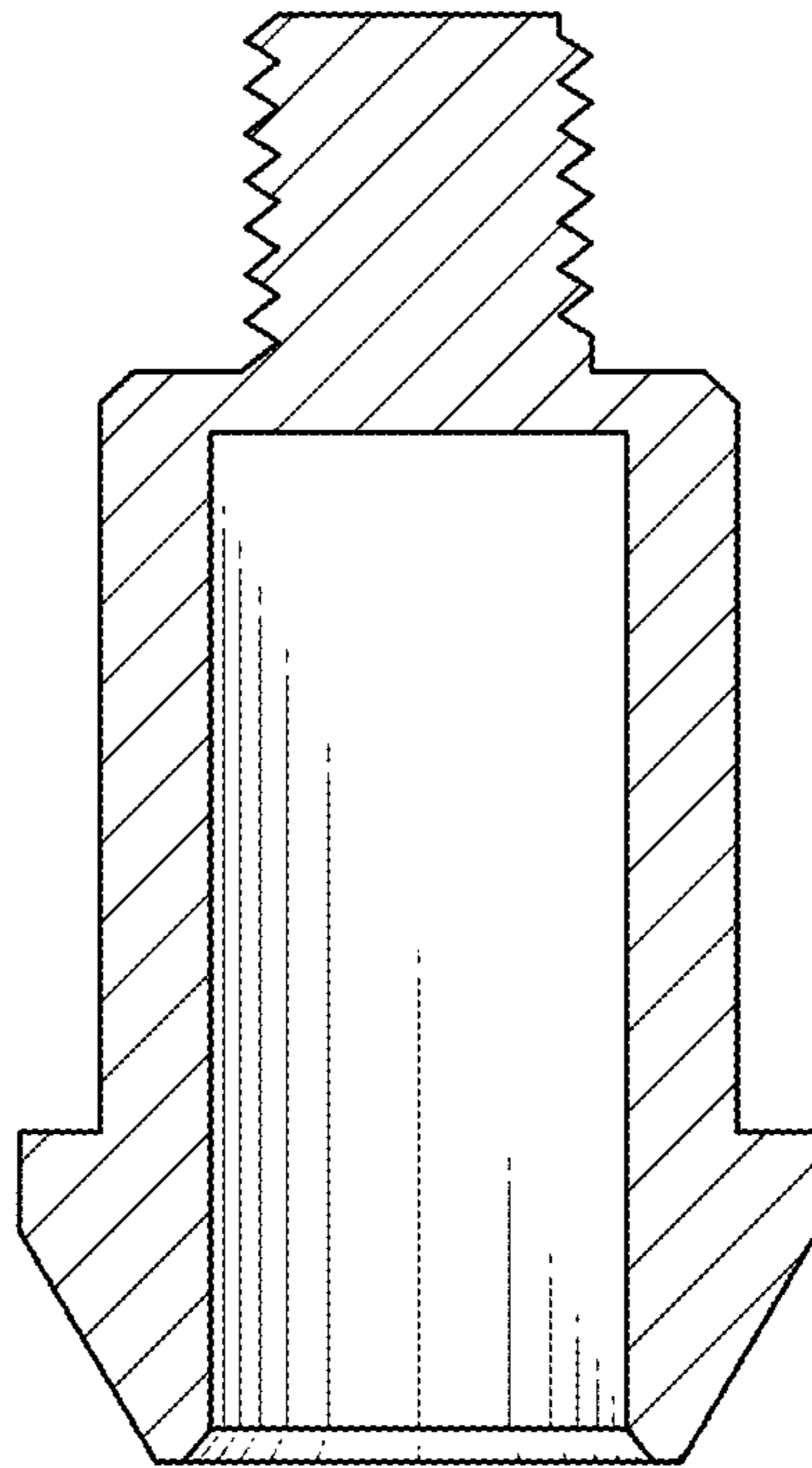


FIG. 8