



US00D786054S

(12) **United States Design Patent** (10) **Patent No.:** **US D786,054 S**  
**Kato et al.** (45) **Date of Patent:** **\*\* May 9, 2017**

(54) **CLIP**  
(71) Applicant: **DAIWA KASEI KOGYO**  
**KABUSHIKI KAISHA**, Okazaki-shi,  
Aichi-ken (JP)  
(72) Inventors: **Makoto Kato**, Toyota (JP); **Atsutoshi**  
**Kaji**, Toyota (JP)  
(73) Assignee: **DAIWA KASEI KOGYO**  
**KABUSHIKI KAISHA**, Aichi-ken (JP)

D623,049 S \* 9/2010 Zeyfang ..... D8/397  
D681,464 S \* 5/2013 Taylor ..... D9/453  
D681,465 S \* 5/2013 Cox ..... D9/441  
D681,466 S \* 5/2013 Cox ..... D9/441  
D723,906 S \* 3/2015 Kato ..... D8/382  
9,550,459 B2 \* 1/2017 Kato ..... B60R 13/0206  
2006/0000959 A1 \* 1/2006 Hansen ..... F16B 5/0258  
248/220.21  
2009/0189311 A1 \* 7/2009 Quillin ..... A61Q 1/04  
264/300

(Continued)

(\*\*) Term: **15 Years**

(21) Appl. No.: **29/537,387**

(22) Filed: **Aug. 25, 2015**

(51) **LOC (10) Cl.** ..... **08-08**

(52) **U.S. Cl.**  
USPC ..... **D8/382**

(58) **Field of Classification Search**  
USPC ..... D8/382, 397, 394, 499, 388, 398, 395,  
D8/402  
CPC ... E05F 5/022; E05F 5/025; E05F 5/00; F16F  
1/44; F16F 1/445; F16F 7/00; F16F 9/00;  
F16F 9/32; F16F 9/3207; F16F 2234/02;  
F16F 2234/04; F16F 2234/06; F16F  
2238/04; F16B 21/086; F16B 21/084;  
F16B 21/082; F16B 19/1081; Y10T  
16/628; Y10T 16/6285  
See application file for complete search history.

(56) **References Cited**

U.S. PATENT DOCUMENTS

D44,178 S \* 6/1913 McMurteie ..... D23/262  
1,560,569 A \* 11/1925 Hammer ..... B65D 41/04  
215/333  
D427,897 S \* 7/2000 Johnston ..... D8/356  
D451,393 S \* 12/2001 Gerhart ..... D9/453  
D500,245 S \* 12/2004 Okada ..... D8/382

FOREIGN PATENT DOCUMENTS

CN 303140969 S 3/2015  
EM 002574293-0001 11/2014

(Continued)

*Primary Examiner* — Sandra Snapp  
*Assistant Examiner* — Ieisha Price

(74) *Attorney, Agent, or Firm* — Christensen, Fonder,  
Dardi & Herbert PLLC

(57) **CLAIM**

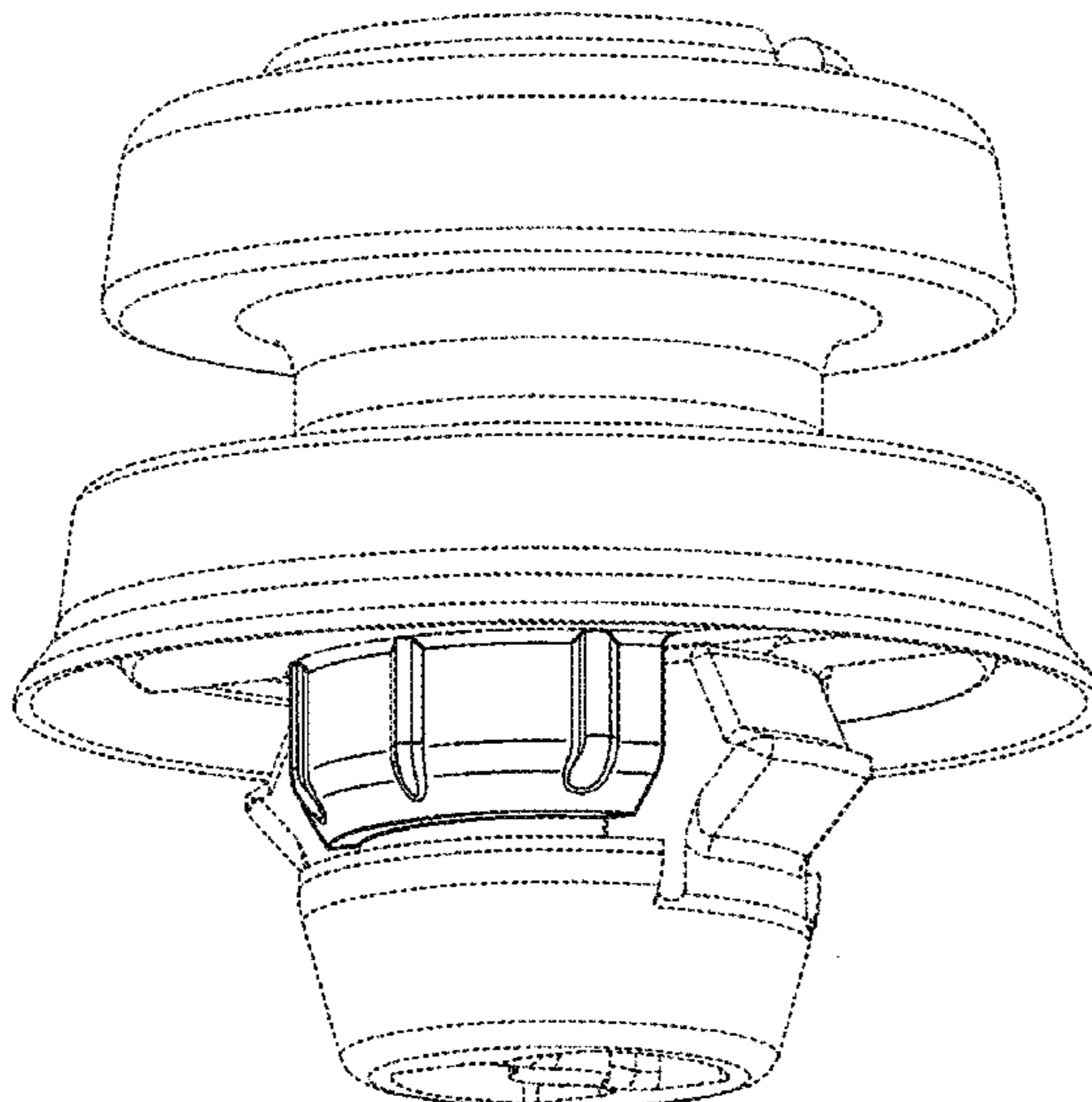
The ornamental design for a clip, as shown and described.

**DESCRIPTION**

FIG. 1 is a perspective view of the clip.  
FIG. 2 is a side perspective view of the clip.  
FIG. 3 is a bottom perspective view of the clip.  
FIG. 4 is a front elevation view of the clip.  
FIG. 5 is a right side elevation view of the clip.  
FIG. 6 is a top plan view of the clip.  
FIG. 7 is a bottom plan view of the clip; and,  
FIG. 8 is a cross-sectional view of the clip taken along line  
**8-8** of FIG. 4.

The broken lines in the drawings illustrate portions of the clip and form no part of the claimed design. The dot-dash-dot broken lines in the drawings define the bounds of the claim and form no part thereof.

**1 Claim, 8 Drawing Sheets**



(56)

**References Cited**

U.S. PATENT DOCUMENTS

2011/0167590 A1\* 7/2011 Ukai ..... E05F 5/022  
16/85  
2011/0283490 A1\* 11/2011 Sugiyama ..... F16F 1/371  
24/457  
2012/0246896 A1\* 10/2012 Kaji ..... E05F 5/022  
24/682.1  
2015/0121665 A1\* 5/2015 Kaji ..... F16B 21/086  
24/458  
2015/0298623 A1\* 10/2015 Kato ..... B60R 13/0206  
24/458

FOREIGN PATENT DOCUMENTS

EM 002574293-0002 11/2014  
JP D1483240 S 10/2013  
JP D1507656 S 8/2014  
JP D1509478 S 9/2014  
JP 2015-203480 A 11/2015

\* cited by examiner

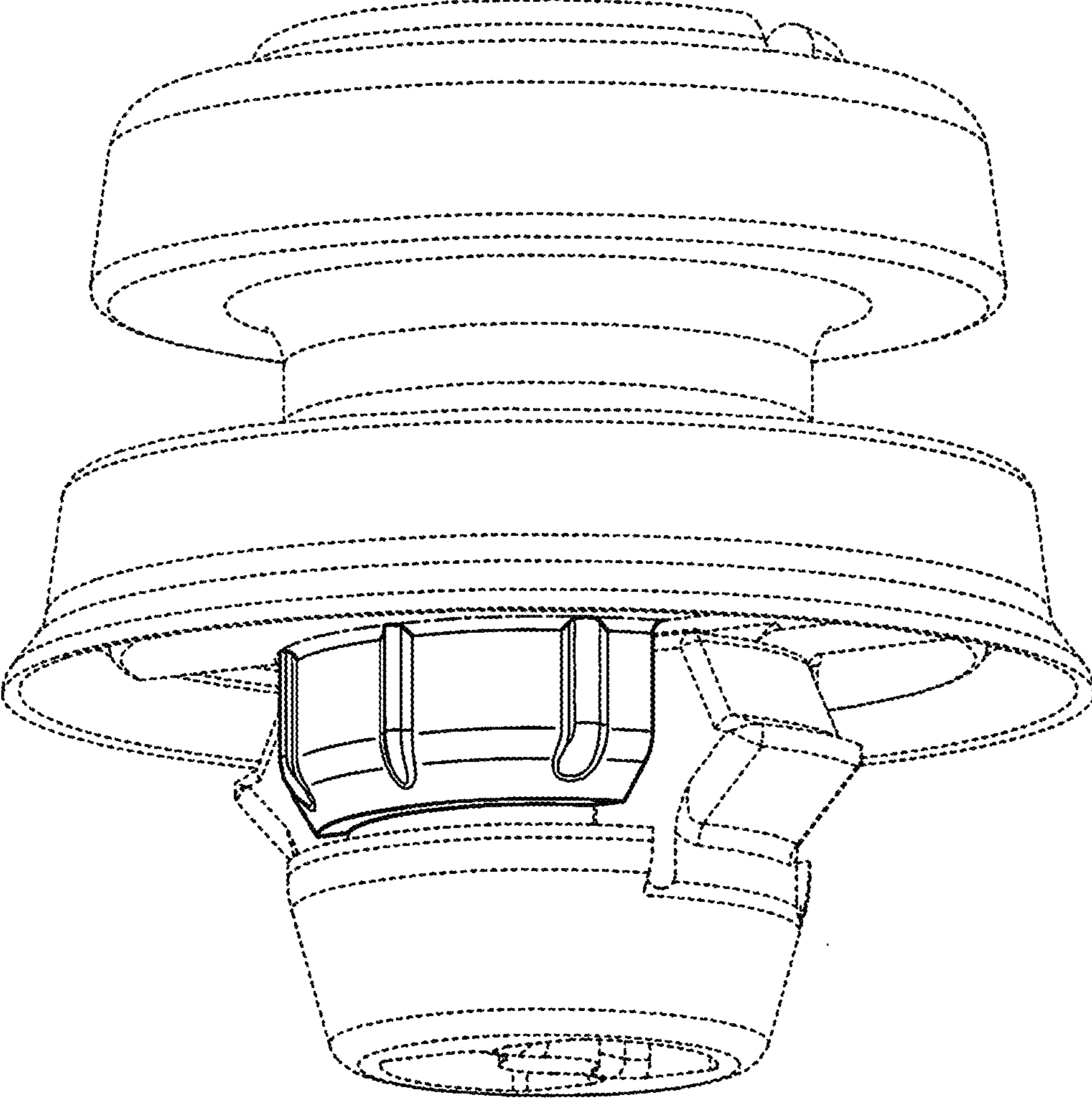


FIG. 1

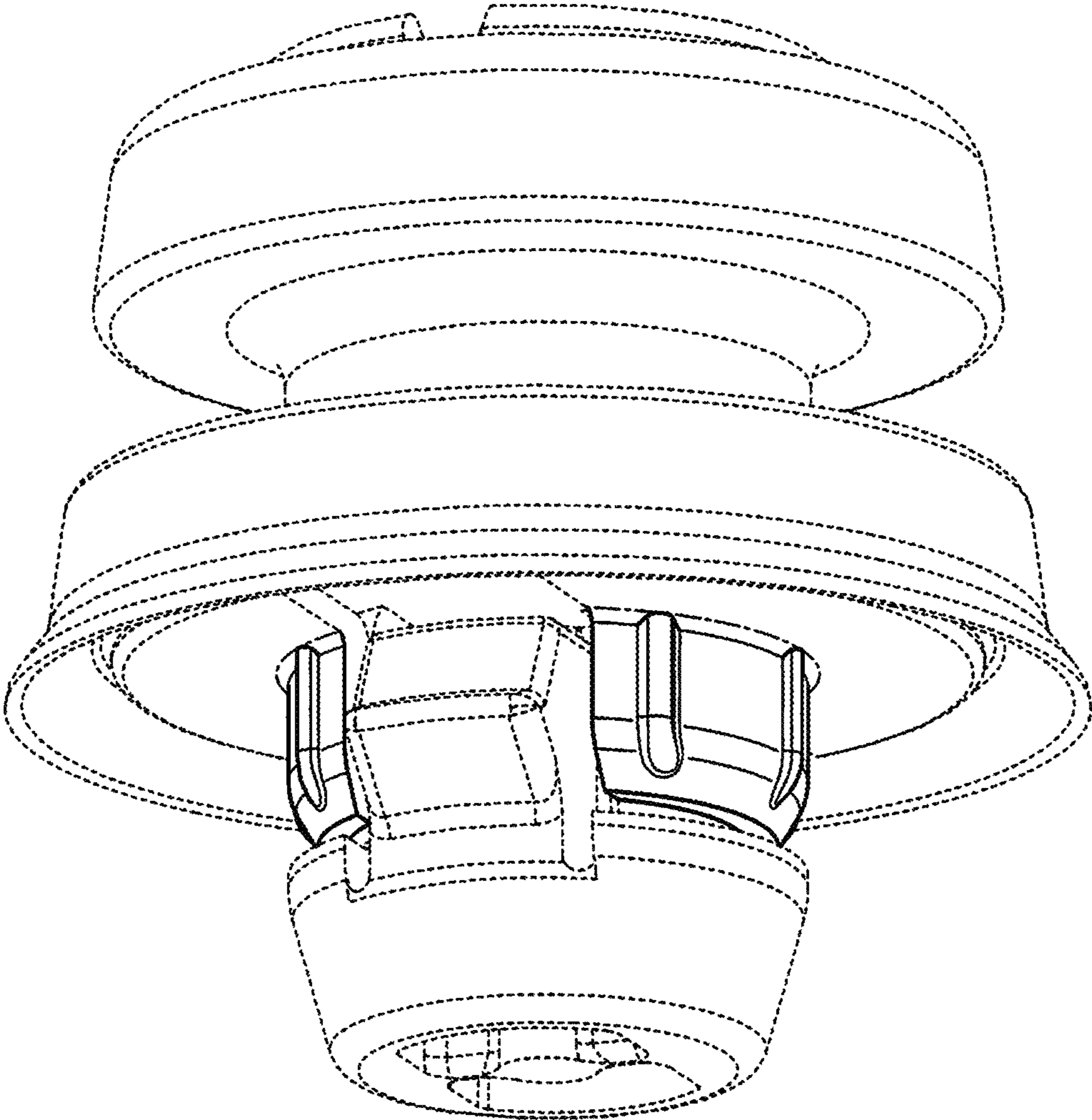


FIG. 2

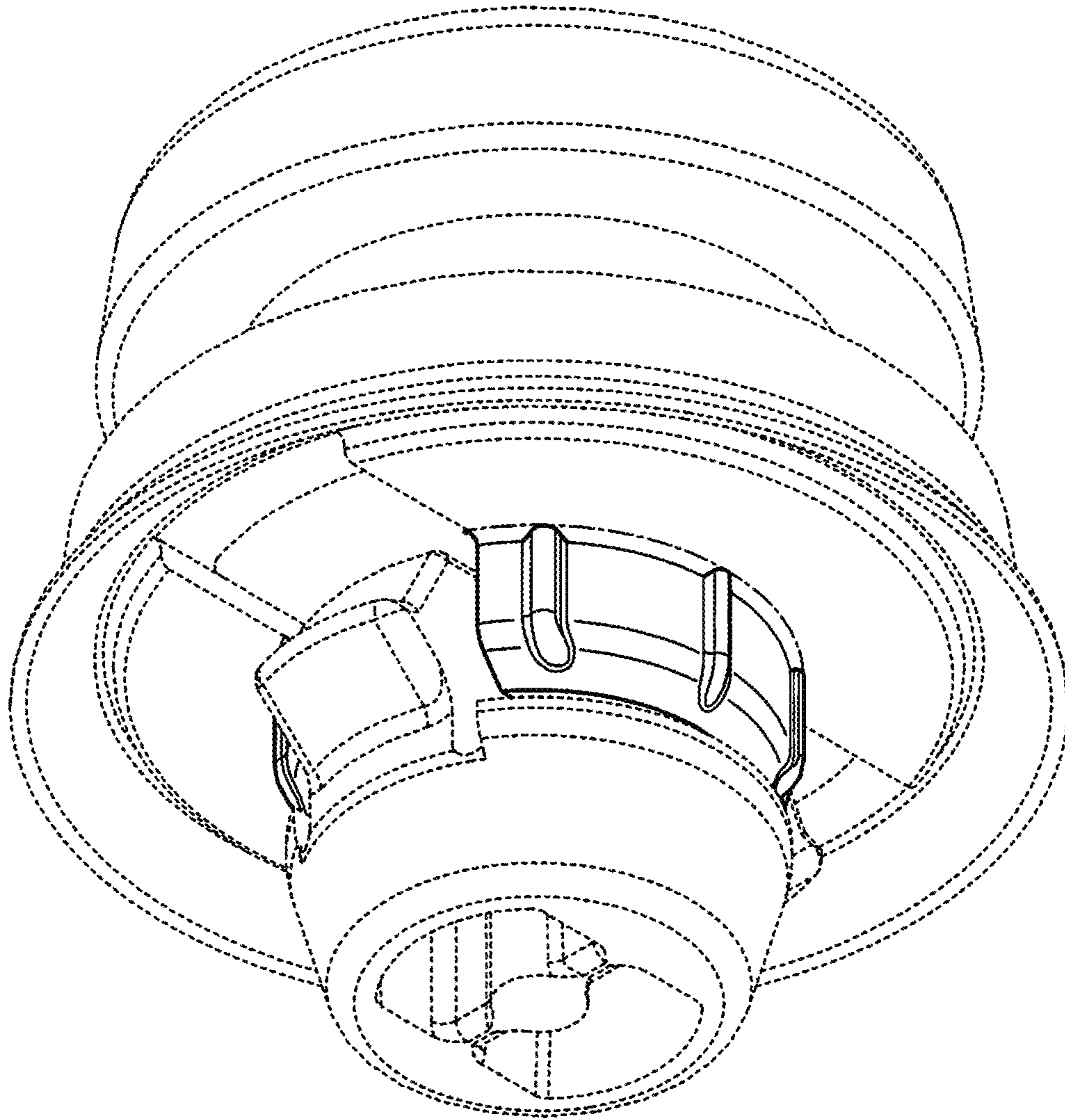


FIG. 3

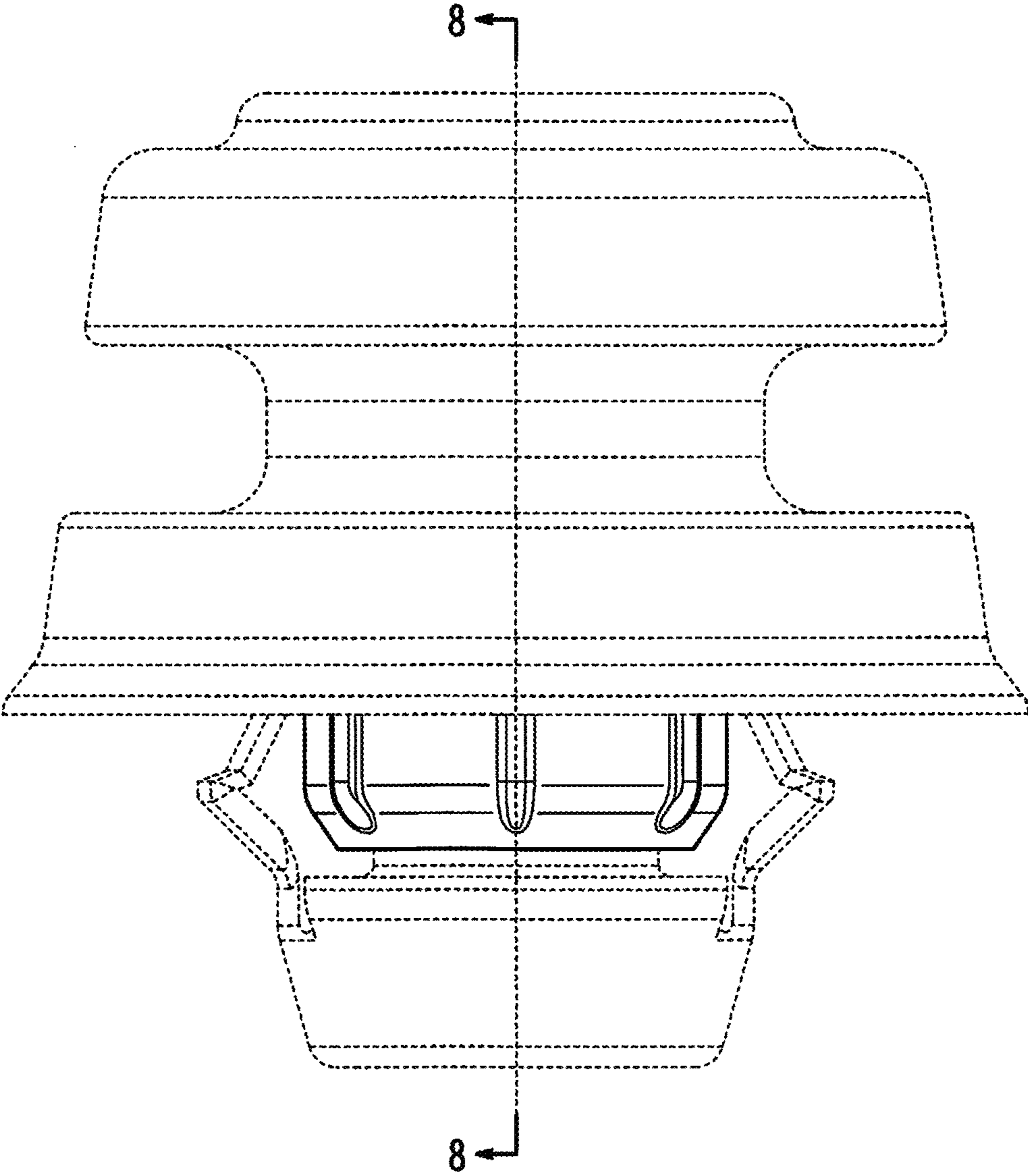


FIG. 4

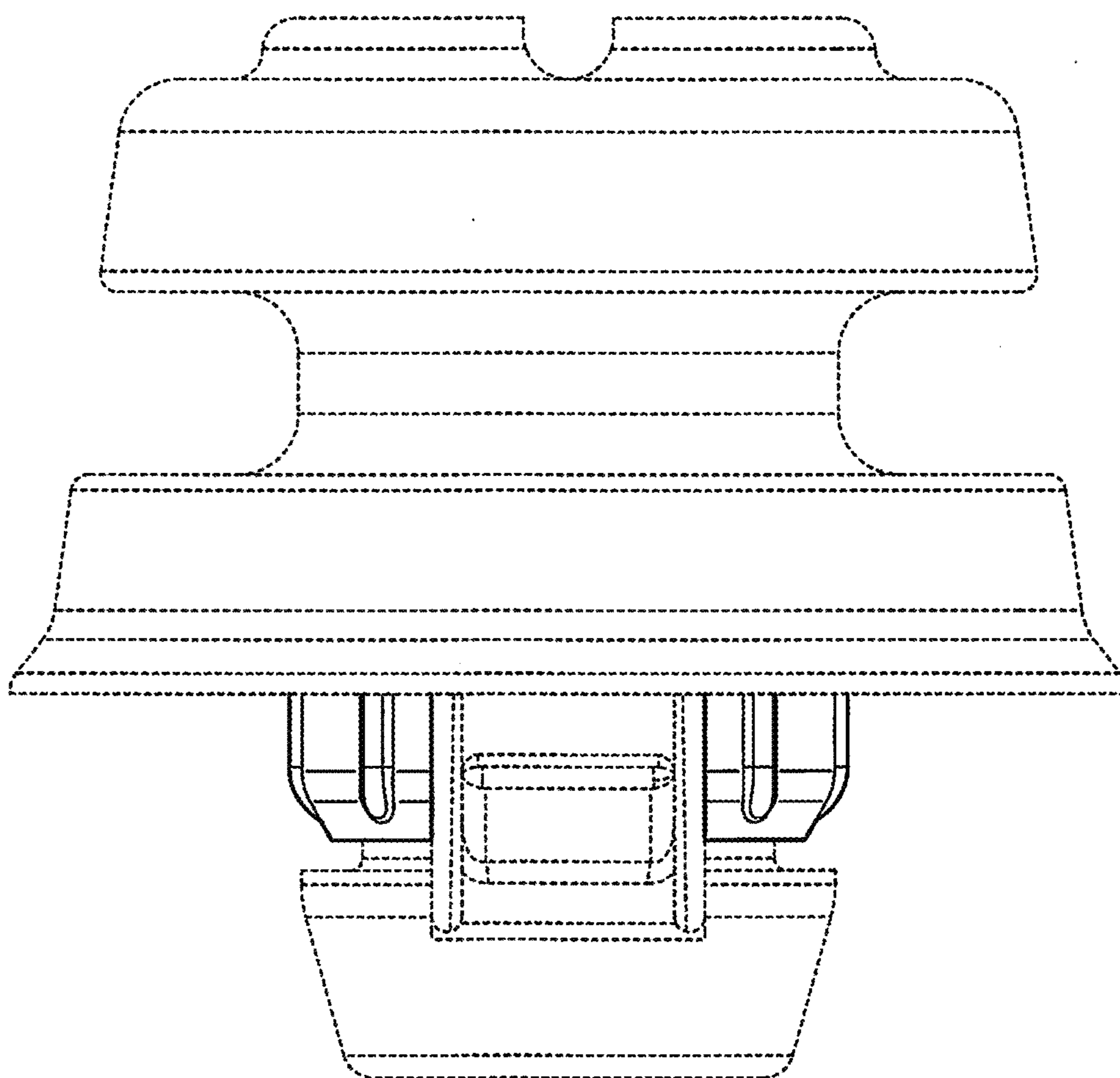


FIG. 5

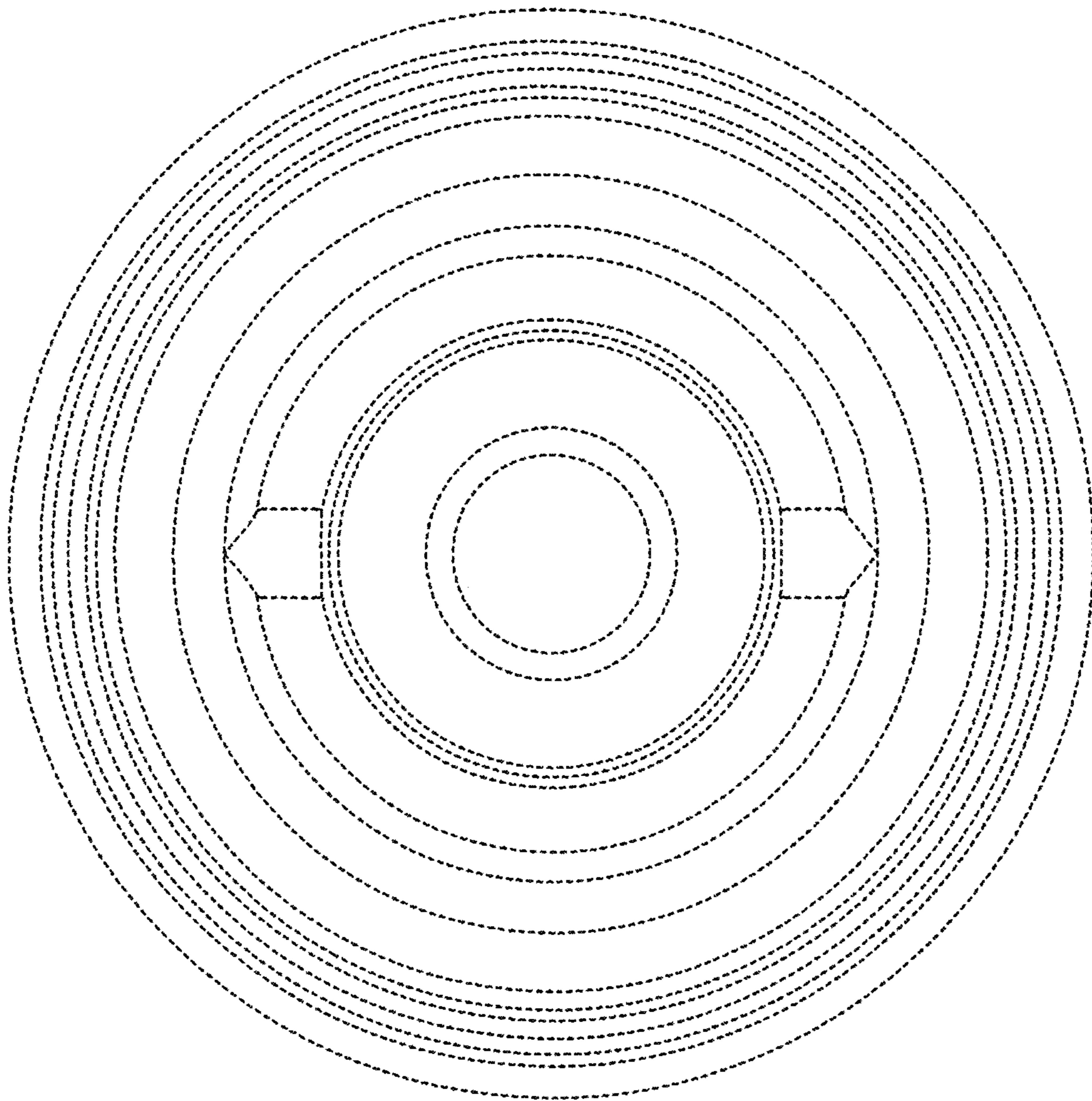


FIG. 6



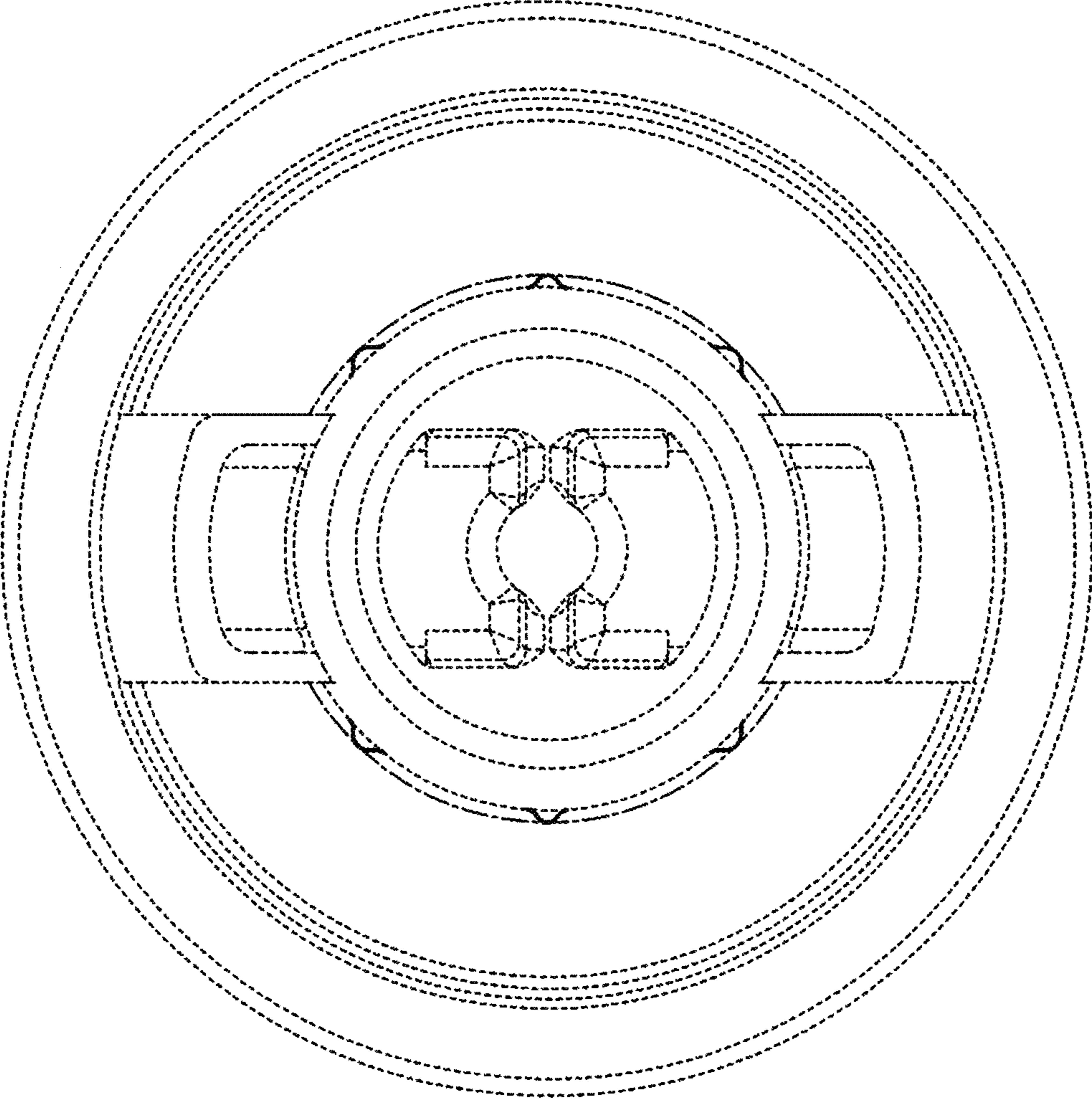


FIG. 7

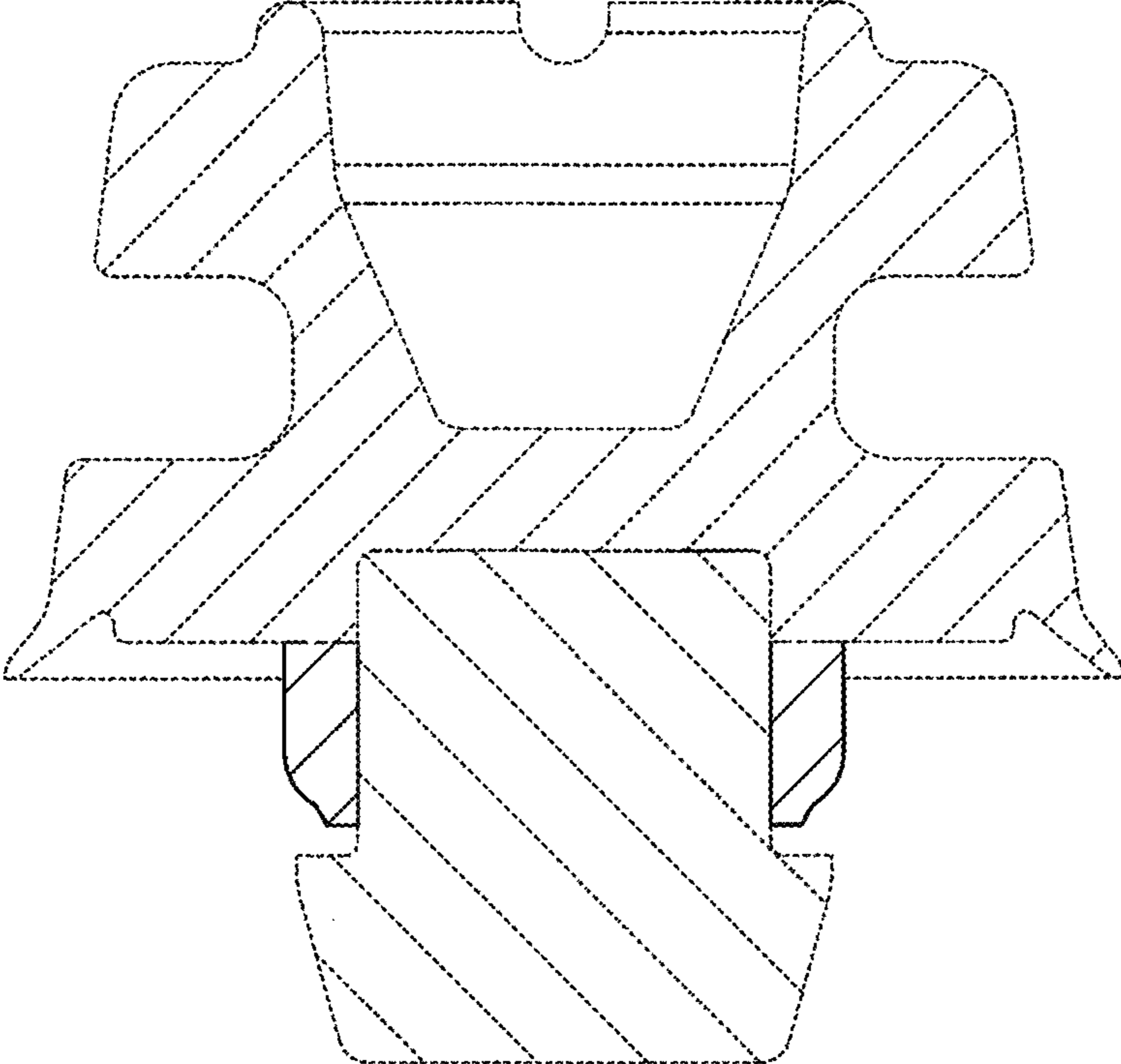


FIG. 8