



US00D786052S

(12) **United States Design Patent** (10) **Patent No.:** **US D786,052 S**  
**Szucs et al.** (45) **Date of Patent:** **\*\* May 9, 2017**

(54) **HOOK BRACKET FOR MOUNTING ARTICLES ON A WALL**

FOREIGN PATENT DOCUMENTS

(71) Applicant: **Parallax Group International, LLC**,  
San Juan Capistrano, CA (US)

AU 2008200650 9/2008  
CA 2702184 4/2009

(72) Inventors: **Peter Szucs**, Burbank, CA (US); **Bruce A. Thrush**, San Juan Capistrano, CA (US)

OTHER PUBLICATIONS

(73) Assignee: **Parallax Group International, LLC**,  
San Juan Capistrano, CA (US)

GarageAppel.com, Gladiator GearTrack 4' Channels (2-Pack),  
<http://www.garageappel.com/gladiatorgeartrack4channels2-pack.aspx>, downloaded on Mar. 7, 2013, 3 pages.

(\*\*) Term: **15 Years**

*Primary Examiner* — Robert M Spear

*Assistant Examiner* — Eliza Bennett-Hattan

(21) Appl. No.: **29/548,744**

(74) *Attorney, Agent, or Firm* — Fish & Tsang LLP

(22) Filed: **Dec. 16, 2015**

(57) **CLAIM**

**Related U.S. Application Data**

(62) Division of application No. 29/521,397, filed on Mar. 23, 2015, now Pat. No. Des. 762,777.

We claim the ornamental design for a hook bracket for mounting articles on a wall, as shown and described.

(51) **LOC (10) Cl.** ..... **08-05**

(52) **U.S. Cl.**  
USPC ..... **D8/373**

**DESCRIPTION**

(58) **Field of Classification Search**

USPC .... D8/16, 19, 349, 354, 355, 363, 364, 366, D8/370-373, 376, 380, 382, 384-386; D6/553, 550, 323, 327, 328, 672, 681, D6/512, 566, 567; D23/223, 238, 252, D23/257; D11/208; D20/15, 41, 42, 43, D20/99; D12/416; D25/38.1, 39, 43; D3/210, 228; D13/133, 146-148, 154, D13/184, 199

FIG. 1 is a top, front, left side perspective view of a hook bracket for mounting articles on a wall.

FIG. 2 is a right side elevation view of the hook bracket for mounting articles on a wall, the left side elevation view being a mirror image.

FIG. 3 is a front elevation view of the hook bracket for mounting articles on a wall.

FIG. 4 is a rear elevation view of the hook bracket for mounting articles on a wall.

FIG. 5 is a top plan view of the hook bracket for mounting articles on a wall; and,

FIG. 6 is a bottom plan view of the hook bracket for mounting articles on a wall.

The broken lines in the drawing depict environmental subject matter only and form no part of the claimed design.

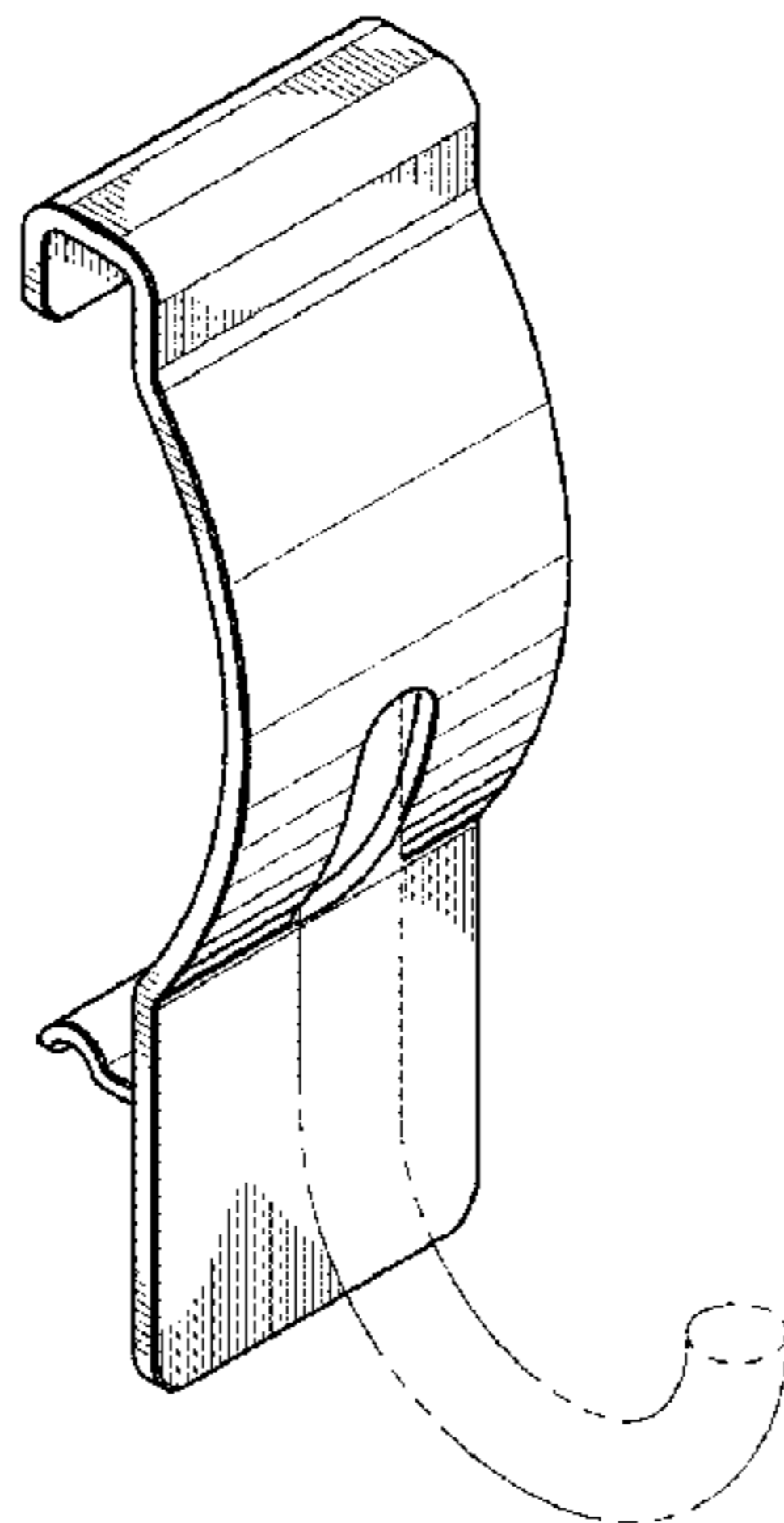
(Continued)

(56) **References Cited**

**U.S. PATENT DOCUMENTS**

3,045,961 A \* 7/1962 Cygan ..... A47F 5/0846  
248/220.42  
3,363,864 A \* 1/1968 Olgreen ..... F16L 3/04  
248/68.1

**1 Claim, 2 Drawing Sheets**



(58) **Field of Classification Search**

CPC ..... A47G 1/1686; A47G 7/045; A47B 57/52;  
 A47B 96/1466; A47K 2201/02; A47K  
 3/003; F16M 13/02

See application file for complete search history.

(56) **References Cited**

U.S. PATENT DOCUMENTS

3,698,565	A	10/1972	Weber	
4,283,034	A *	8/1981	Sheehan	A47H 1/102 248/263
4,308,961	A *	1/1982	Kunce	A47F 5/0853 211/57.1
D283,394	S *	4/1986	Evenson	D8/363
4,618,192	A	10/1986	Kelley	
D333,085	S *	2/1993	Thomsen	D8/349
5,224,610	A	7/1993	Veazey	
5,228,579	A	7/1993	Kaufman	
5,339,967	A *	8/1994	Valiulis	A47F 5/0006 211/113
6,119,878	A *	9/2000	Zen	A47F 5/0846 211/57.1
6,378,828	B1 *	4/2002	Valiulis	A47F 5/0838 211/59.1
D470,395	S *	2/2003	Valiulis	D8/354
6,811,043	B2	11/2004	Perkins et al.	
D511,677	S *	11/2005	DeBiasio, Jr.	D8/354
D548,575	S *	8/2007	Kubota	D8/373
D549,563	S *	8/2007	Browne	D8/373
D582,259	S *	12/2008	DeBiasio, Jr.	D8/363
7,686,172	B2	3/2010	Wisnoski et al.	
8,146,754	B2	4/2012	Apgood, II et al.	
D762,777	S *	8/2016	Szucs	D20/42
2007/0221594	A1	9/2007	Pierro	
2010/0213346	A1	8/2010	Chen	
2011/0042333	A1	2/2011	Magnusson et al.	

\* cited by examiner

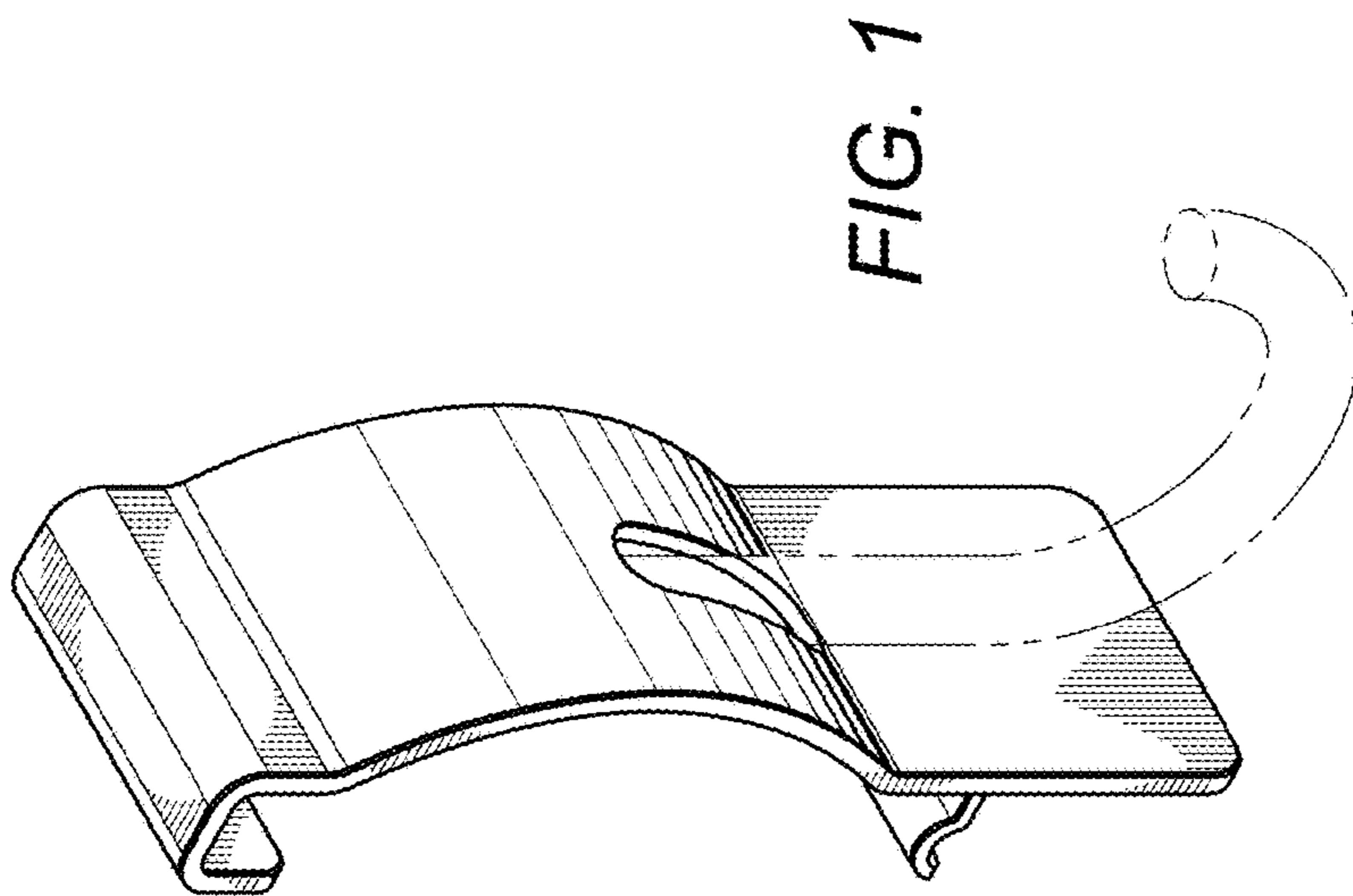


FIG. 1

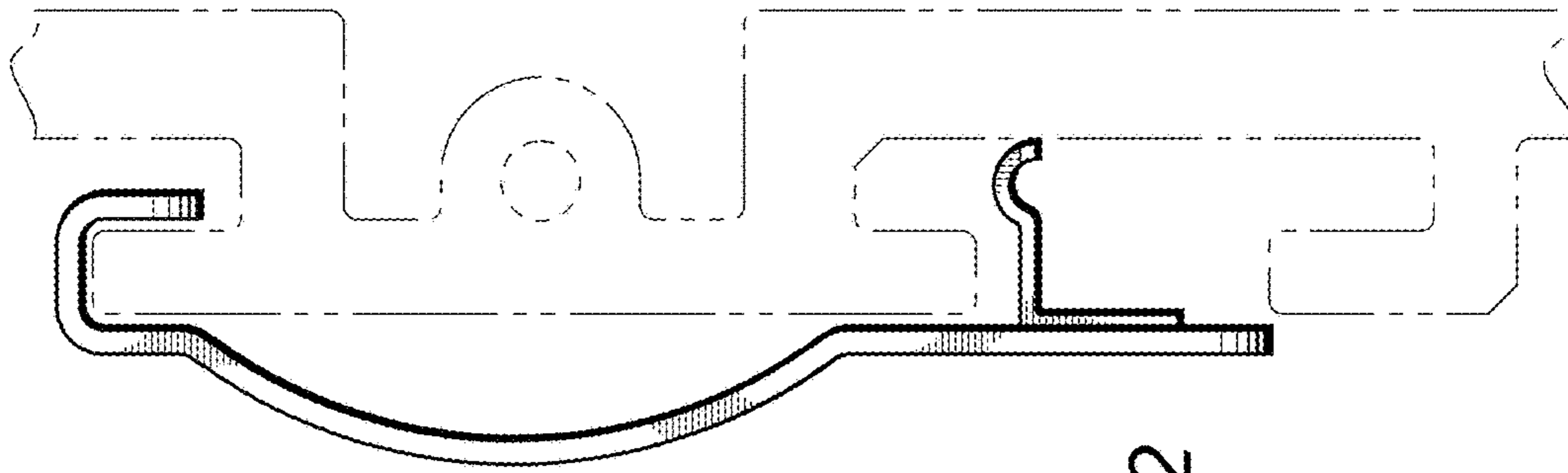


FIG. 2

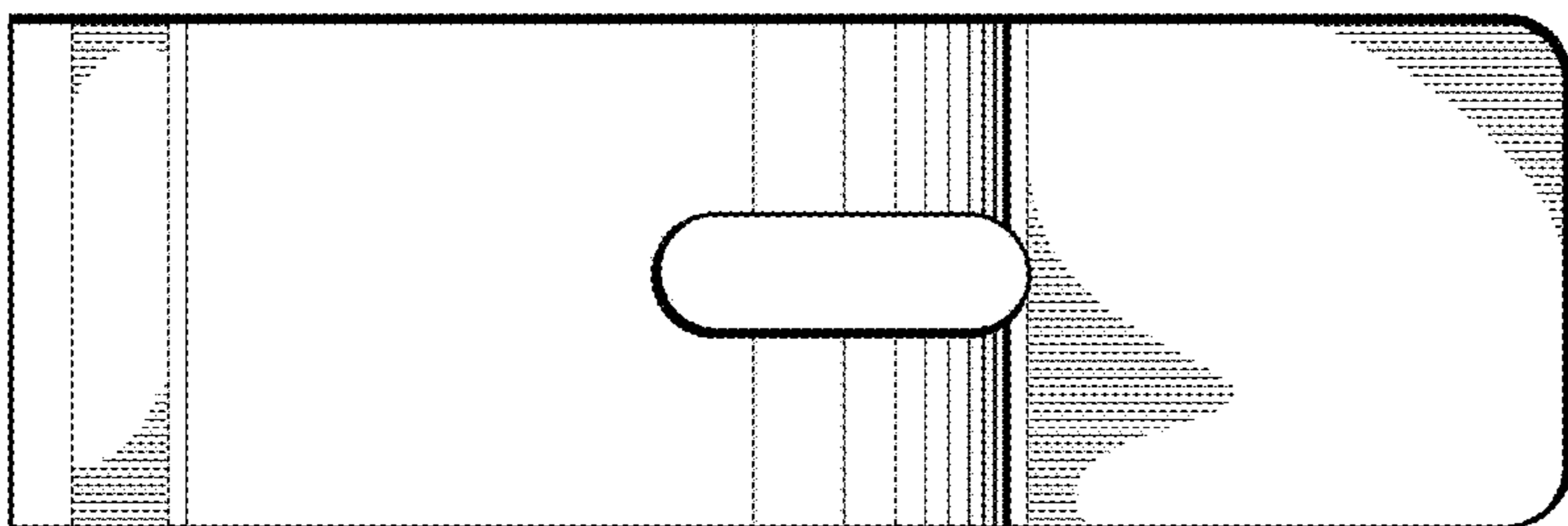


FIG. 3

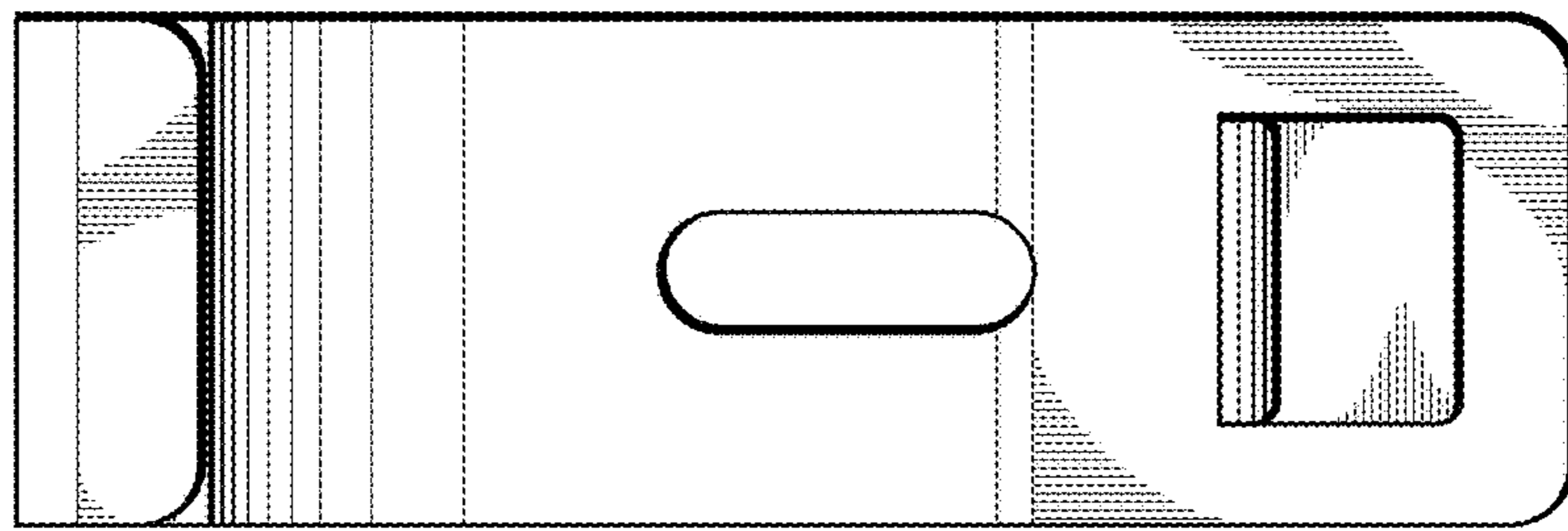


FIG. 4

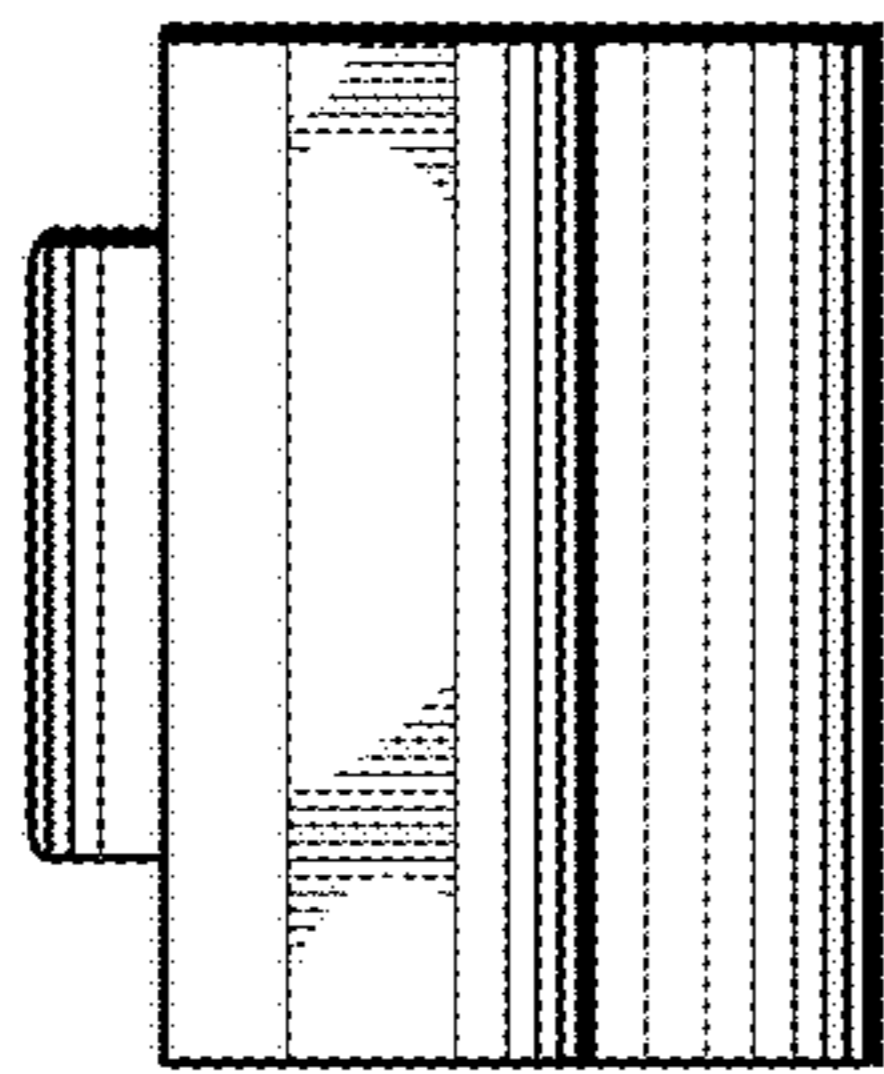


FIG. 5

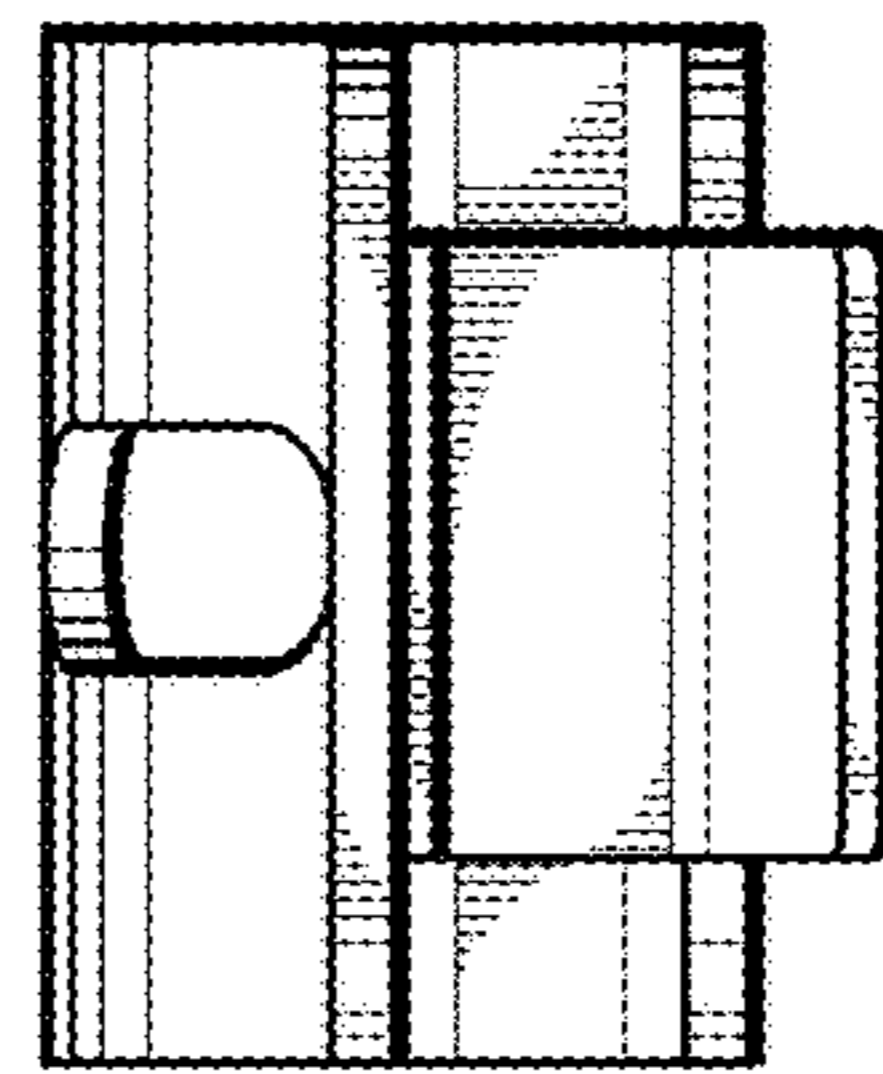


FIG. 6