



US00D786051S

(12) **United States Design Patent**
Mooney

(10) **Patent No.:** **US D786,051 S**

(45) **Date of Patent:** **** May 9, 2017**

(54) **BRACKET HAVING HOLDING FEATURES**

(71) Applicant: **Professional Disposables International, Inc.**, Orangeburg, NY (US)

(72) Inventor: **Michael Mooney**, Florida, NY (US)

(73) Assignee: **PROFESSIONAL DISPOSABLE INTERNATIONAL, INC.**, Orangeburg, NY (US)

(**) Term: **14 Years**

(21) Appl. No.: **29/520,730**

(22) Filed: **Mar. 17, 2015**

(51) **LOC (10) Cl.** **08-05**

(52) **U.S. Cl.**
USPC **D8/373; D8/395**

(58) **Field of Classification Search**
USPC D9/434, 455, 499, 516, 517, 530, 715,
D9/718, 722; D8/354, 380, 382,
D8/394-396, 373; D26/60; D24/227
CPC B65D 83/202; B65D 25/22; B65D 23/001;
B65D 23/0857
See application file for complete search history.

(56) **References Cited**

U.S. PATENT DOCUMENTS

D233,385 S *	10/1974	Friedman	D14/253
D251,684 S *	4/1979	Wood	D24/227
4,345,704 A *	8/1982	Boughton	B62J 11/00 220/480
D284,941 S	8/1986	Porteous		
D329,963 S	10/1992	Schneider		
D331,462 S *	12/1992	Kraus	D24/143
5,251,777 A *	10/1993	McMahon	B62J 11/00 220/480
D347,735 S *	6/1994	Ziaylek, Jr.	D29/130

D371,293 S *	7/1996	Schoenmeyr	D8/354
D377,756 S *	2/1997	Beardsley	D9/503
5,598,941 A	2/1997	Semersky et al.		
5,806,669 A *	9/1998	Kim	B65D 83/285 206/228

(Continued)

OTHER PUBLICATIONS

U.S. Appl. No. 29/520,705, filed Mar. 17, 2015.

(Continued)

Primary Examiner — Ian Simmons

Assistant Examiner — Keith Frank

(74) *Attorney, Agent, or Firm* — Baker Botts L.L.P.

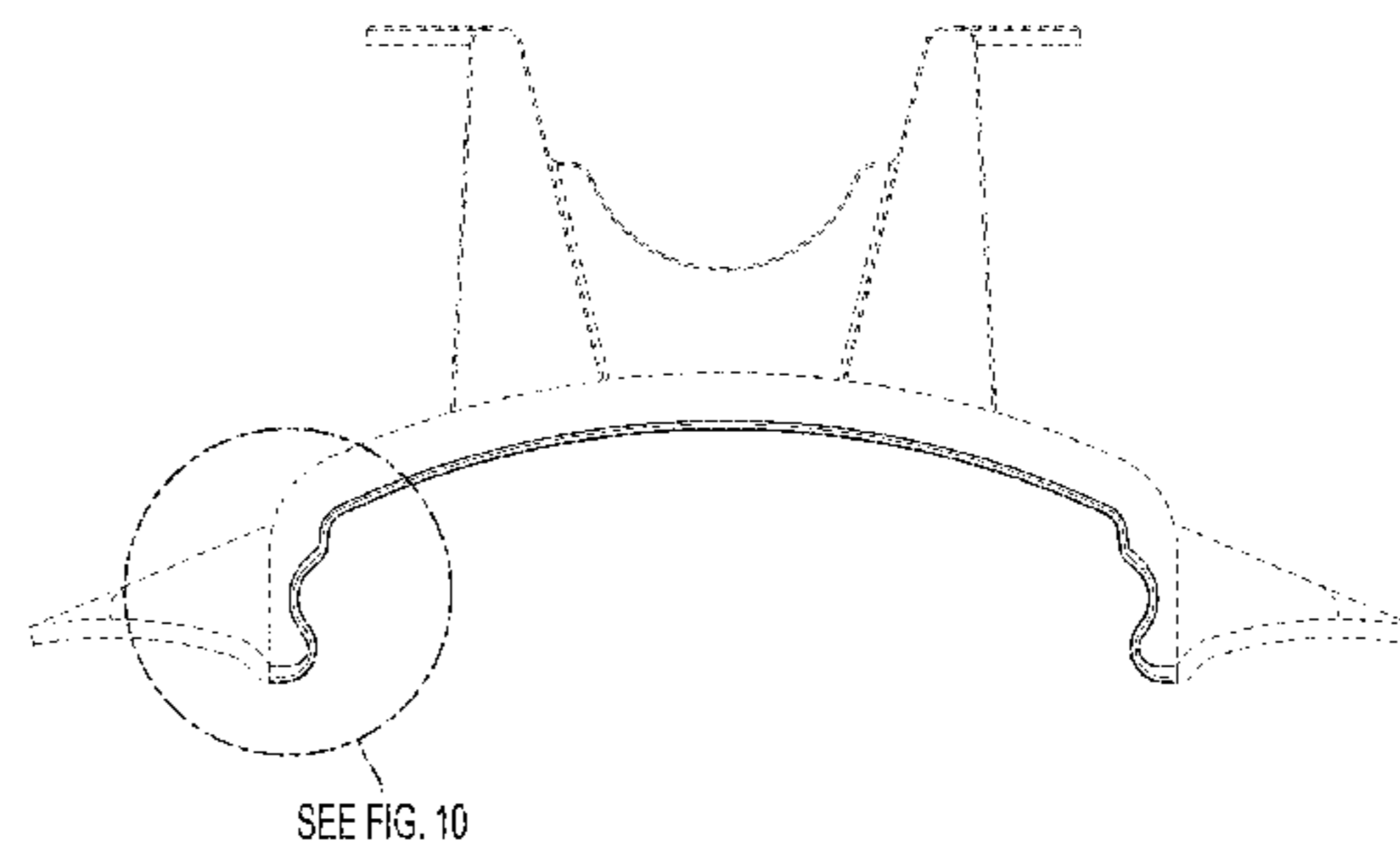
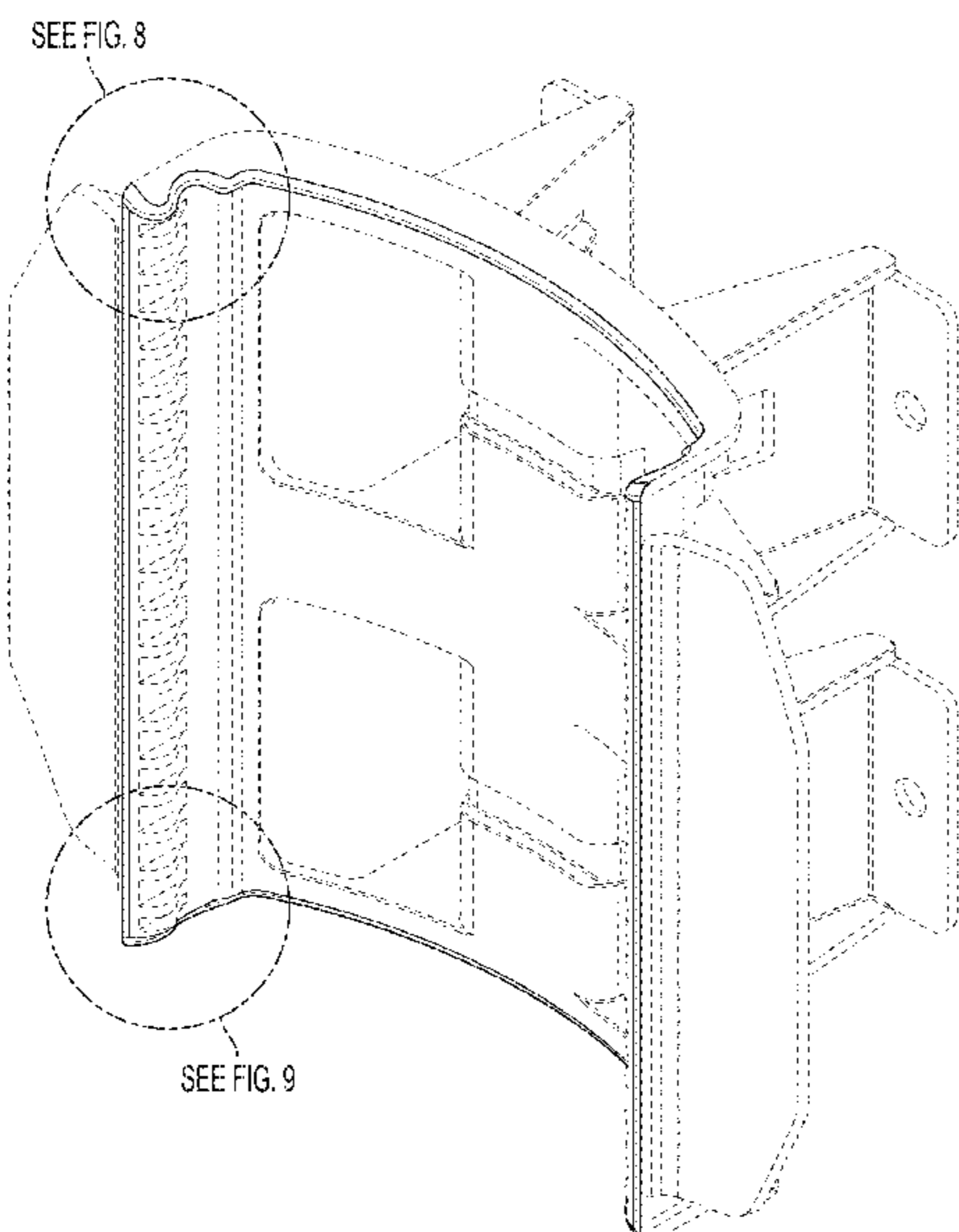
(57) **CLAIM**

The ornamental design for a bracket having holding features, as shown and described.

DESCRIPTION

FIG. 1 is a perspective view of a bracket having holding features, according to my new design;
 FIG. 2 is a front elevation view thereof;
 FIG. 3 is a rear elevation view thereof;
 FIG. 4 is a right side elevation view thereof;
 FIG. 5 is a left side elevation view thereof;
 FIG. 6 is a top plan view thereof;
 FIG. 7 is a bottom plan view thereof;
 FIG. 8 is a detailed perspective view of an upper edge of FIG. 1, as represented by the dot-dash-dot line of FIG. 1;
 FIG. 9 is a detailed perspective view of a lower edge of FIG. 1, as represented by the dot-dash-dot line of FIG. 1;
 FIG. 10 is a detailed plan view of the upper edge in top plan view, as represented by the dot-dash-dot line of FIG. 6; and,
 FIG. 11 is a detailed plan view of the lower edge in bottom plan view, as represented by the dot-dash-dot line of FIG. 7.
 The broken lines in the drawings illustrate the portions of the bracket having holding features that form no part of the claim.

1 Claim, 11 Drawing Sheets



(56)

References Cited

U.S. PATENT DOCUMENTS

D417,612 S * 12/1999 Jones D26/138
 D420,587 S 2/2000 Cheng et al.
 6,059,245 A * 5/2000 Hermansen B62J 11/00
 248/311.2
 D429,152 S 8/2000 Lane
 6,231,019 B1 * 5/2001 Broste A01K 5/01
 248/291.1
 D444,069 S 6/2001 Bansal et al.
 D448,672 S 10/2001 Cheng et al.
 D448,674 S 10/2001 Mooney
 D472,813 S 4/2003 Wright
 D473,142 S 4/2003 Beaver
 D480,312 S 10/2003 Mungur et al.
 D530,617 S 10/2006 Little et al.
 D538,663 S 3/2007 Kamineni et al.
 D586,223 S 2/2009 Little et al.
 D625,194 S 10/2010 Thierjung et al.
 D627,612 S * 11/2010 Falk D7/619.1
 D636,266 S 4/2011 Walker et al.
 8,128,045 B2 3/2012 Skaggs
 D663,624 S 7/2012 Eble
 8,313,005 B2 11/2012 Scarola
 D702,832 S 4/2014 Hadley
 D704,900 S * 5/2014 Childs D29/130
 8,720,841 B2 * 5/2014 Morren F16B 2/10
 248/229.2
 D711,776 S * 8/2014 Iannello D11/218
 8,973,880 B2 * 3/2015 Goffman F16B 2/10
 248/230.4
 D727,656 S * 4/2015 Lim D6/553
 D730,163 S * 5/2015 Wu D8/376
 D739,612 S * 9/2015 Kronebusch D29/130
 D742,213 S * 11/2015 Sasanecki D8/396
 9,212,784 B2 * 12/2015 Frenal F17C 13/084

D750,476 S * 3/2016 Huang D8/395
 D750,773 S 3/2016 Eaton et al.
 2003/0057335 A1 3/2003 Roberts
 2004/0168996 A1 9/2004 Jones
 2006/0207963 A1 9/2006 Little et al.
 2007/0152120 A1 7/2007 Hostetler
 2011/0042537 A1 * 2/2011 Fahldiek B65G 47/847
 248/313
 2013/0043368 A1 * 2/2013 Hill E04H 17/1421
 248/534

OTHER PUBLICATIONS

U.S. Appl. No. 29/520,713, filed Mar. 17, 2015.
 U.S. Appl. No. 29/520,705, Jul. 1, 2016 Non-Final Office Action.
 U.S. Appl. No. 29/520,705, Apr. 29, 2016 Restriction Requirement Filed.
 U.S. Appl. No. 29/520,713, Jun. 30, 2016 Non-Final Office Action.
 U.S. Appl. No. 29/520,713, Apr. 29, 2016 Restriction Requirement Filed.
 U.S. Appl. No. 29/520,705, Dec. 1, 2016 Final Office Action.
 U.S. Appl. No. 29/520,705, Sep. 30, 2016 Response to Non-Final Office Action.
 U.S. Appl. No. 29/520,713, Dec. 8, 2016 Notice of Allowance.
 U.S. Appl. No. 29/520,713, Sep. 30, 2016 Response to Non-Final Office Action.
 AutoZone. Ford Aspire 1994-1998 Repair Guide. 1998. Retrieved on [Sep. 28, 2016]. Retrieved from <URL: <http://www.autozone.com/repairguides/Ford-Aspire-1994-1998-RepairGuide/EMIS-SION-CONTROLS/Evaporative-Emission-Controls//P0900c15280079a8c>>; figures 3, 12; p. 5, "Removal and Installation".
 International Search Report and Written Opinion mailed Apr. 7, 2016 in International Application No. PCT/US16/014907.

* cited by examiner

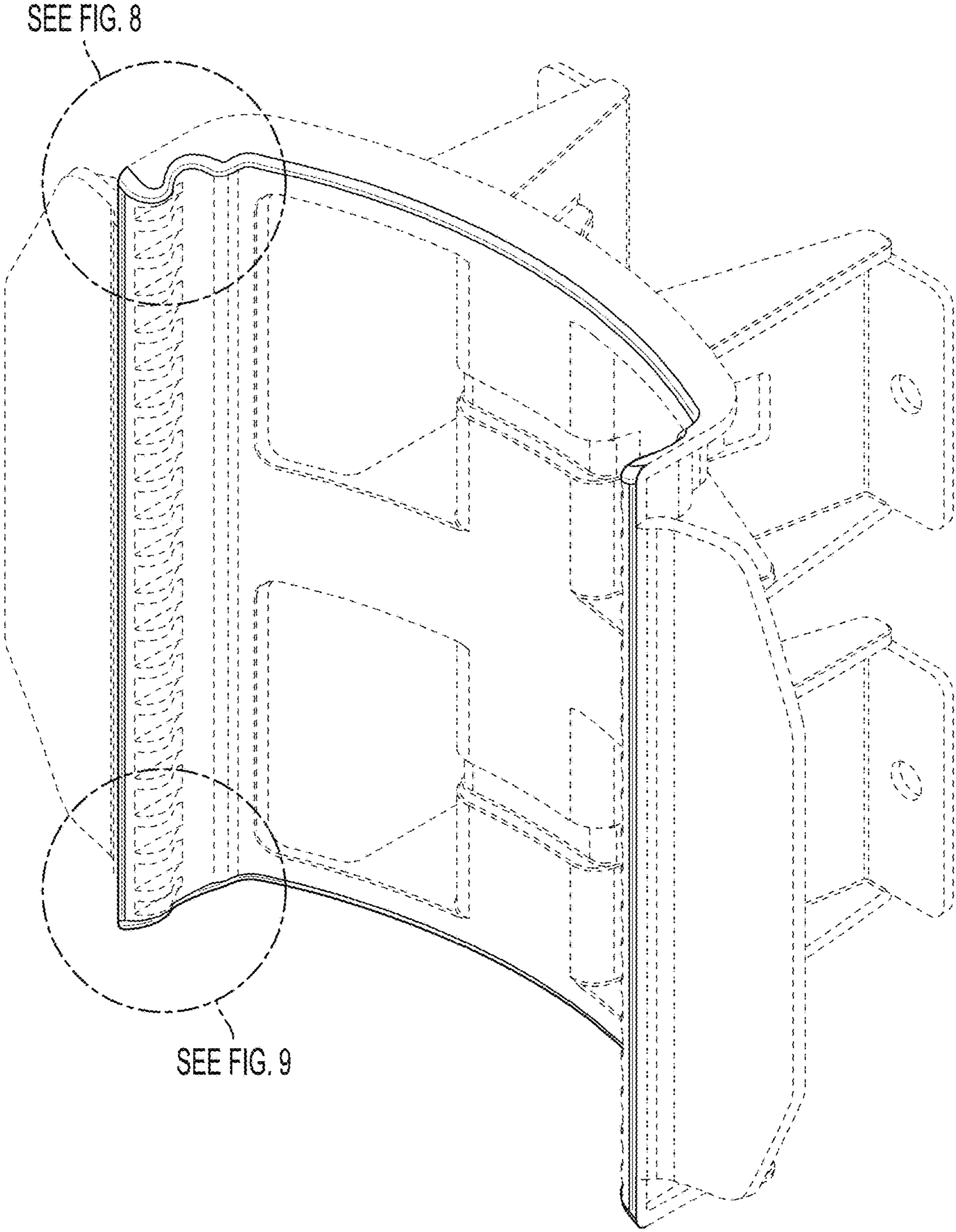


FIG. 1

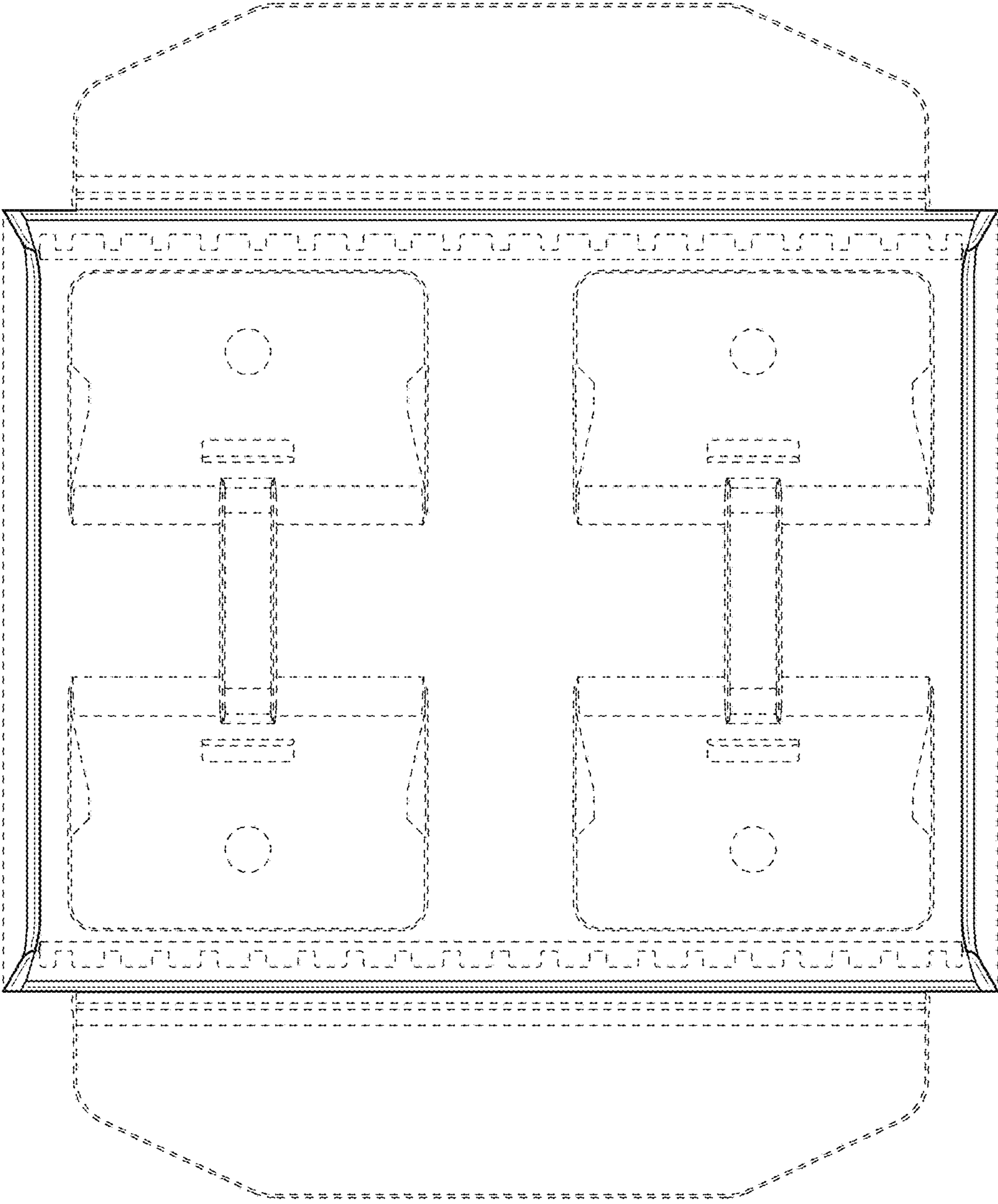


FIG. 2

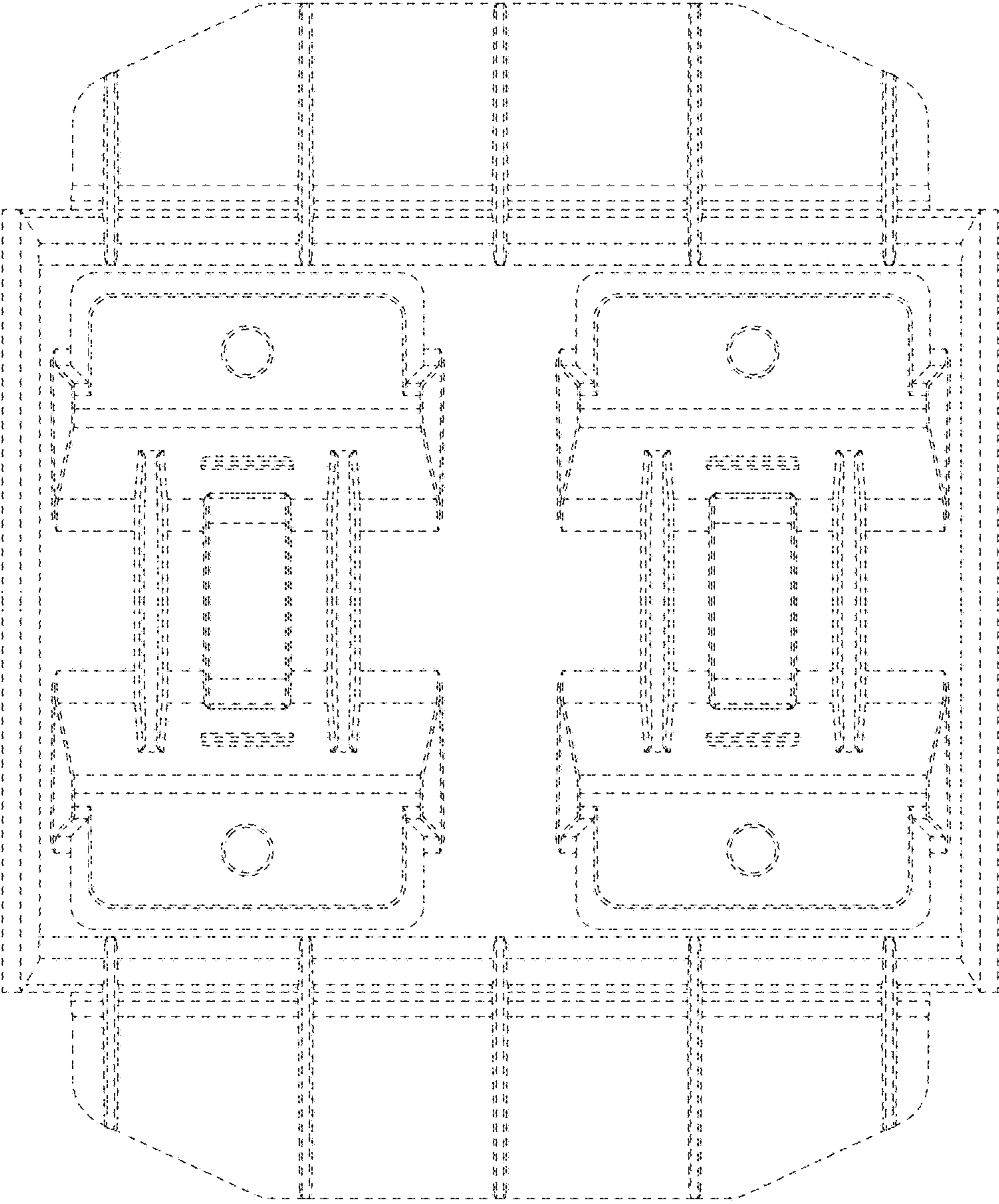


FIG. 3

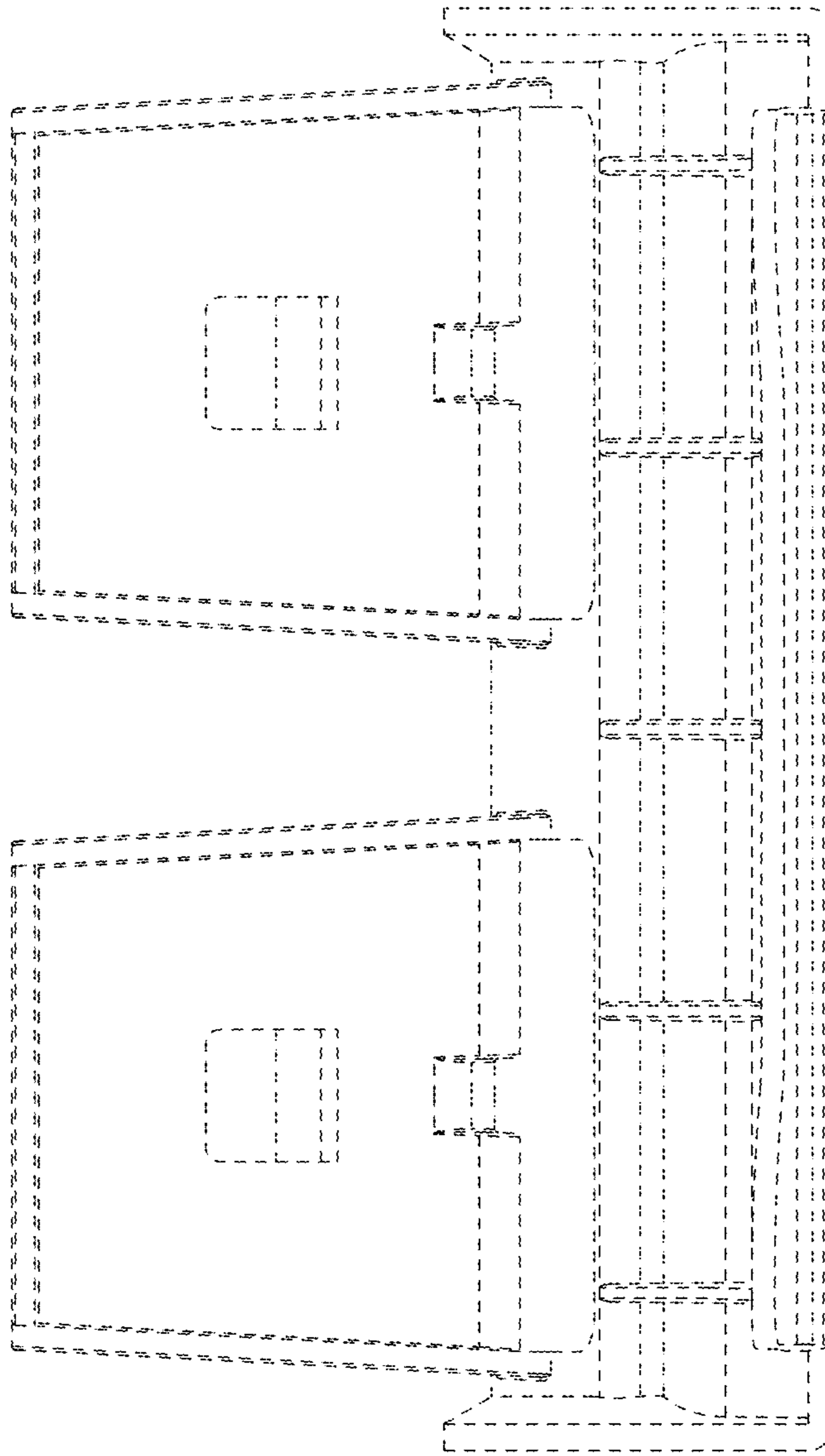


FIG. 4

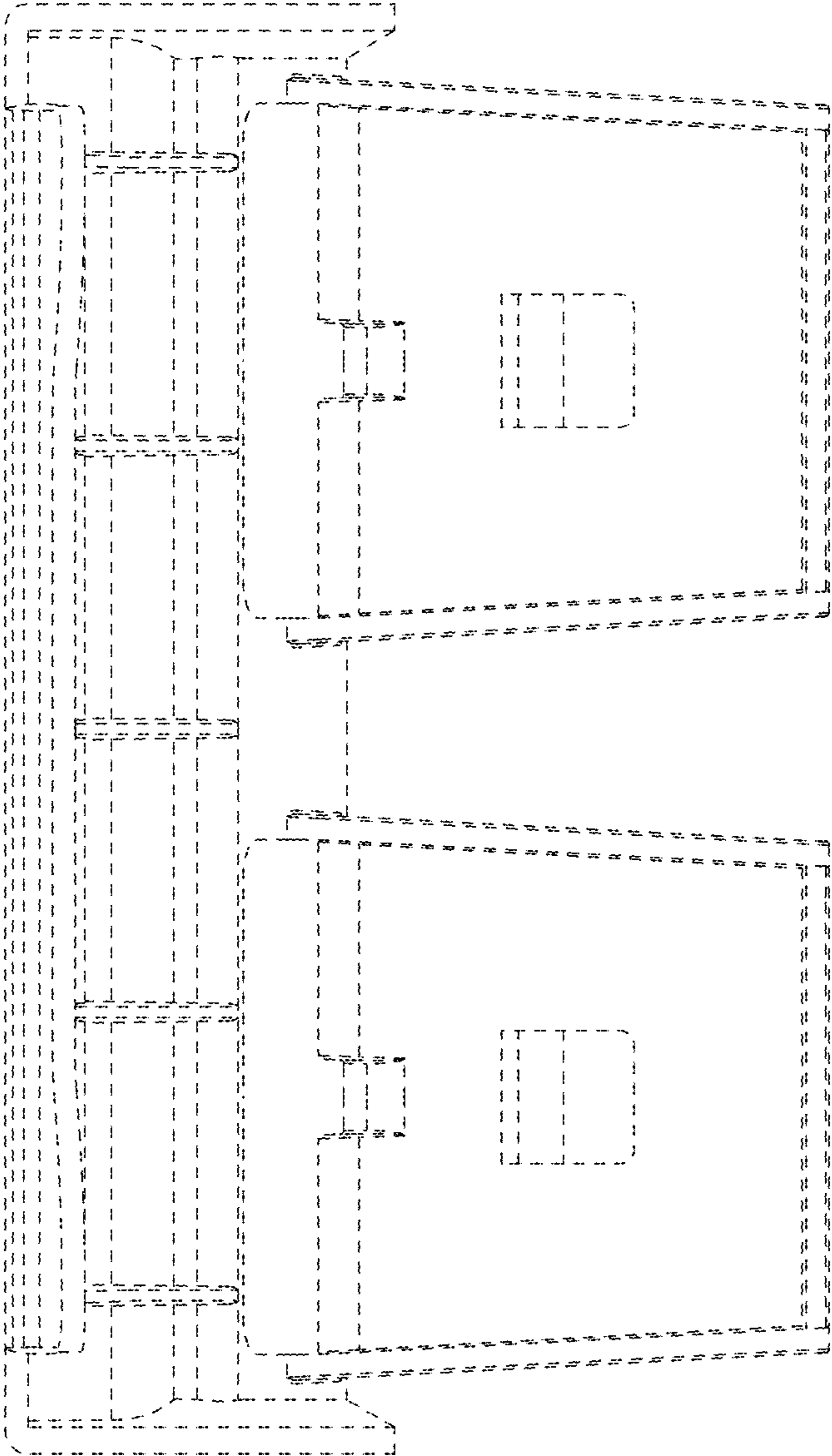
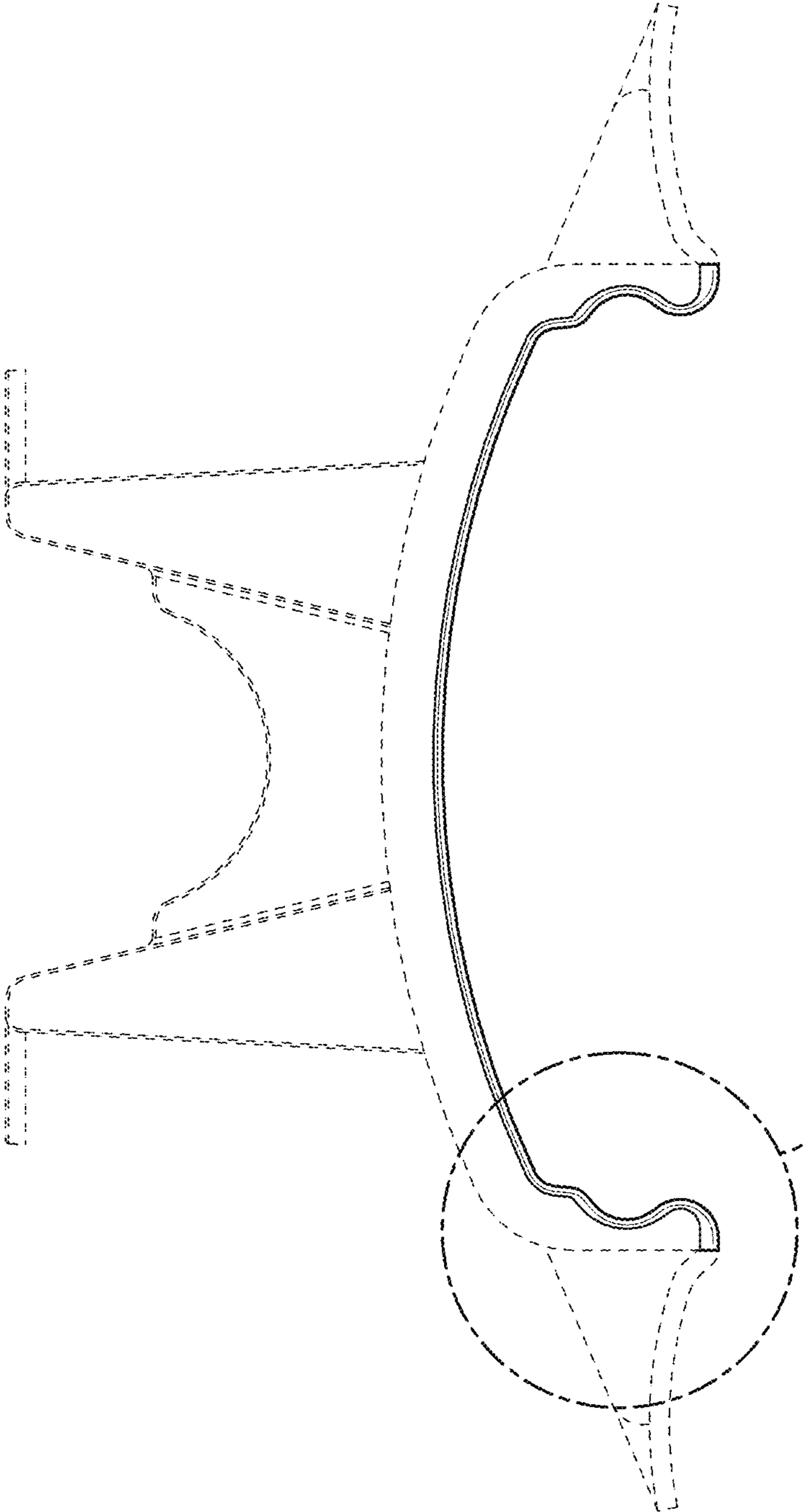


FIG. 5



SEE FIG. 10

FIG. 6

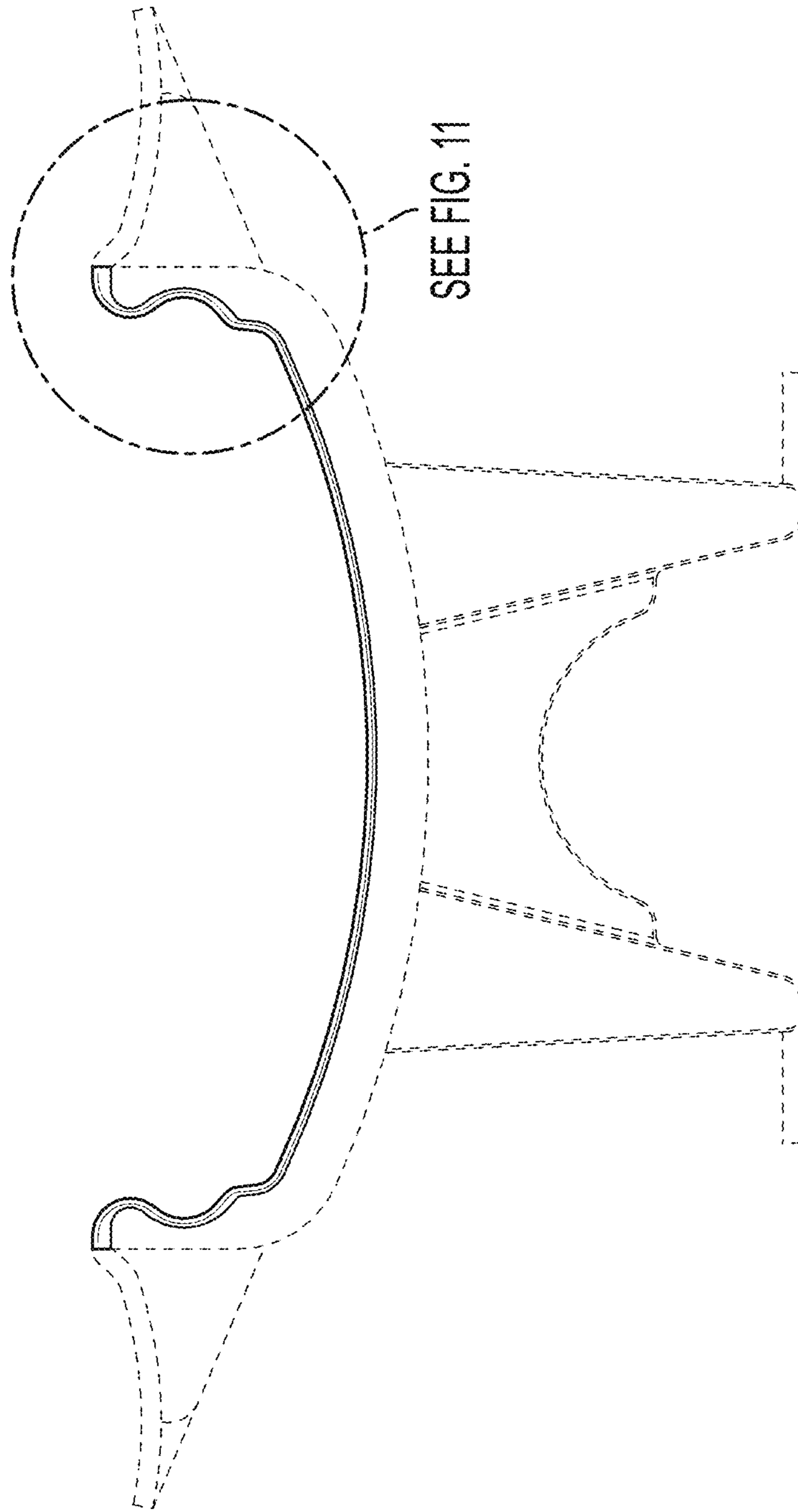


FIG. 7

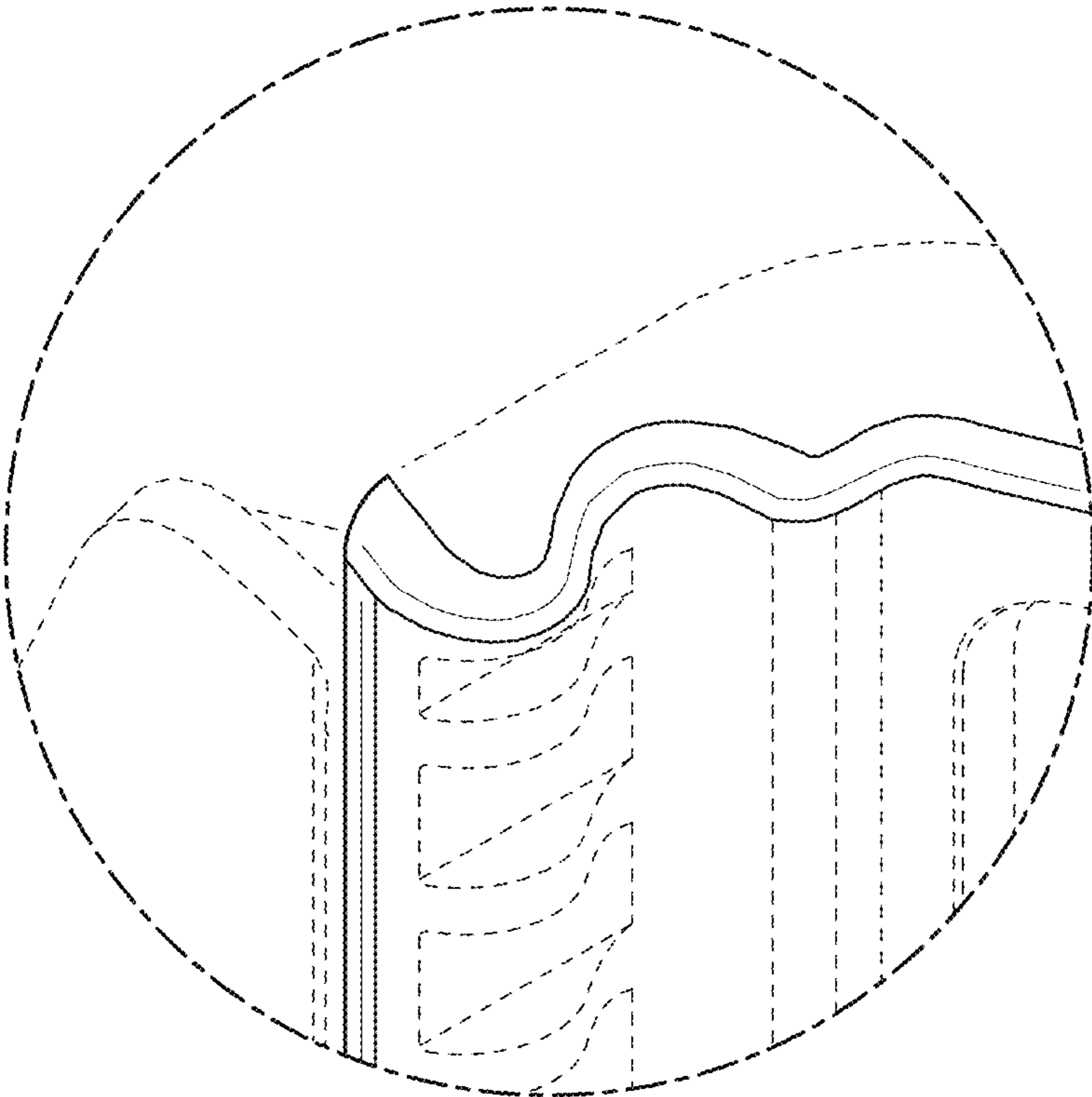


FIG. 8

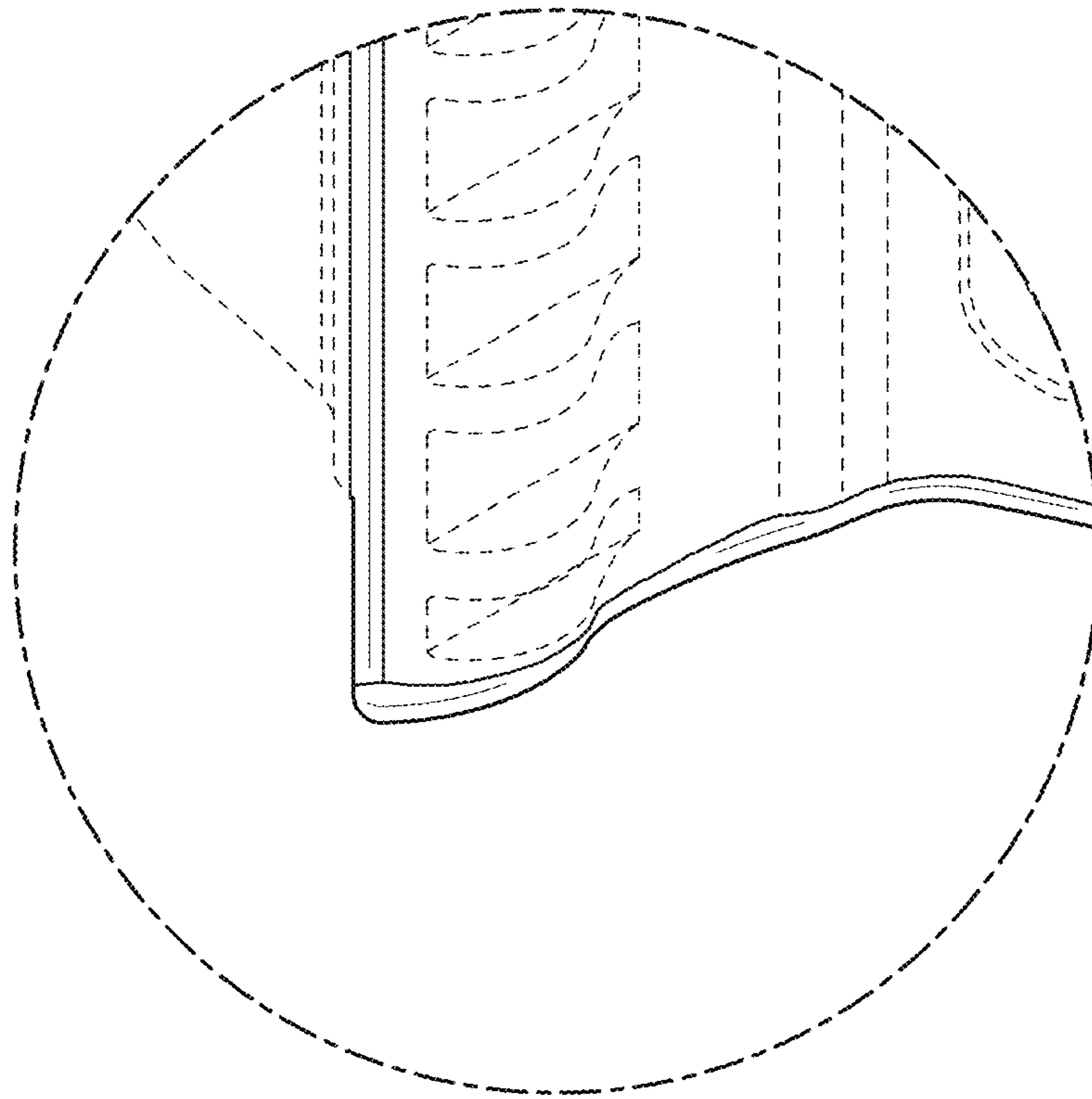


FIG. 9

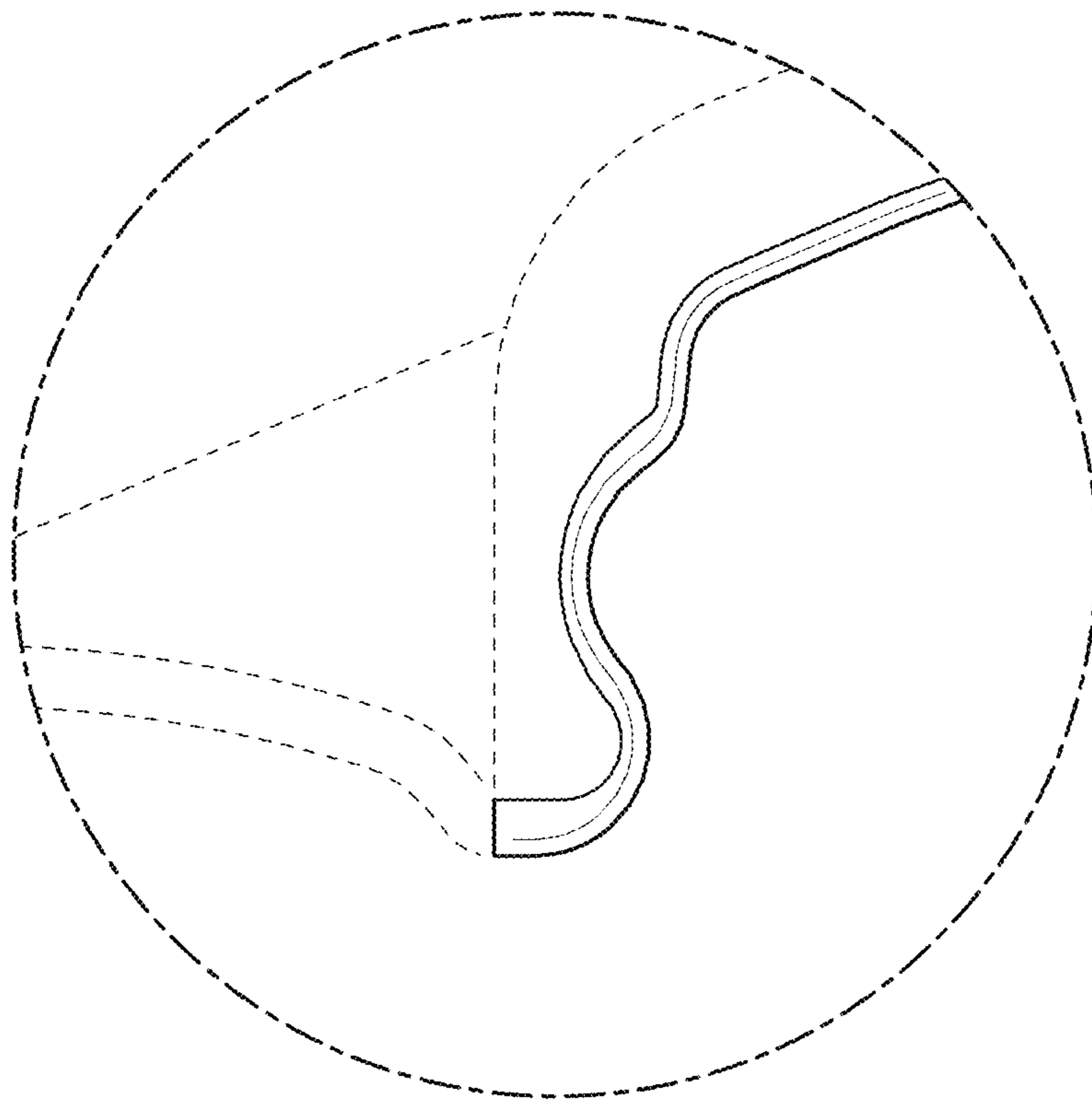


FIG. 10

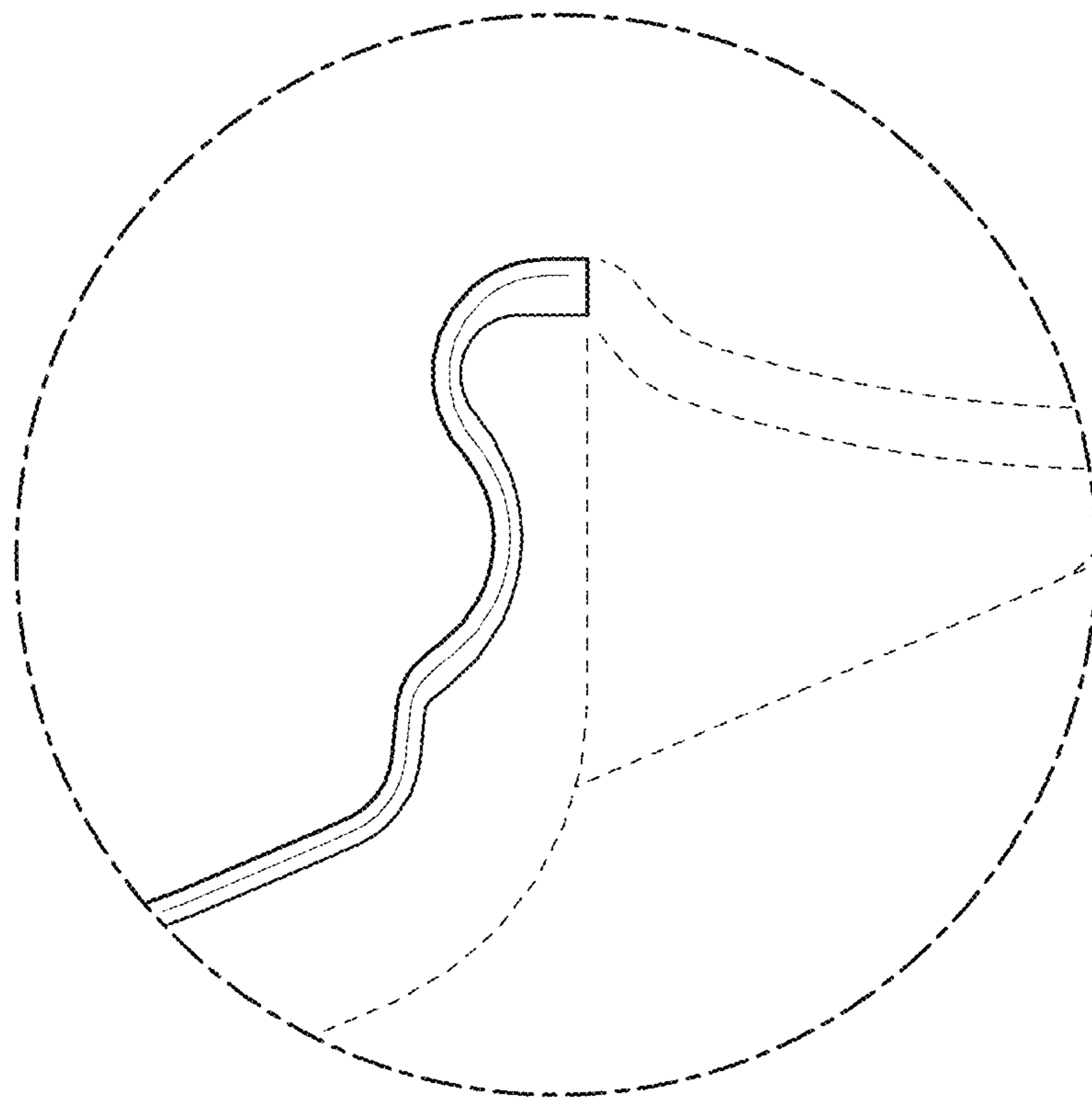


FIG. 11