



US00D786049S

(12) **United States Design Patent** (10) **Patent No.:** **US D786,049 S**
Austin (45) **Date of Patent:** **** May 9, 2017**

(54) **ANCHOR HOOK**
(71) Applicant: **Daniel Austin**, Pomona, CA (US)
(72) Inventor: **Daniel Austin**, Pomona, CA (US)
(**) Term: **15 Years**
(21) Appl. No.: **29/547,746**
(22) Filed: **Dec. 7, 2015**
(51) **LOC (10) Cl.** **08-05**
(52) **U.S. Cl.**
USPC **D8/356**
(58) **Field of Classification Search**
USPC D8/67, 354, 349, 356; D34/35
CPC . F16B 45/02; B66C 1/125; B66C 1/36; A62B
35/0037
See application file for complete search history.

8,060,994 B2 * 11/2011 Petzl F16B 45/02
24/599.9
D649,862 S * 12/2011 Arvinte D8/339
8,276,247 B2 * 10/2012 Yang F16B 45/02
24/599.5
D684,452 S * 6/2013 Petzl D8/356
8,474,112 B2 * 7/2013 Thompson F16B 45/02
24/582.11
D708,047 S * 7/2014 Petzl D8/356
8,905,449 B2 * 12/2014 Calvert F16B 45/025
24/599.1
D726,123 S * 4/2015 Su D13/154
9,003,617 B2 * 4/2015 Walker F16B 45/02
24/599.1
D730,159 S * 5/2015 Grimm D8/356
D730,722 S * 6/2015 Grimm D8/356
9,091,295 B1 * 7/2015 Yang F16B 45/02
D743,778 S * 11/2015 Huang D8/367

(Continued)

Primary Examiner — Cynthia Underwood
(74) *Attorney, Agent, or Firm* — Kirk A. Buhler; Buhler & Associates

(56) **References Cited**
U.S. PATENT DOCUMENTS

3,446,484 A 5/1969 Walsh et al.
D222,428 S 10/1971 Stein
D246,286 S 11/1977 Moore
D347,507 S 5/1994 Austin
D349,839 S * 8/1994 Gilardelli D8/331
D391,840 S * 3/1998 Striebel D8/367
6,223,372 B1 * 5/2001 Barber B25F 1/00
7/118
7,320,159 B2 * 1/2008 Petzl F16B 45/02
24/599.5
7,475,456 B2 * 1/2009 Thompson F16B 45/02
24/599.9
7,540,074 B2 * 6/2009 Thompson F16B 45/02
24/599.5
7,845,467 B2 * 12/2010 Petzl A62B 1/14
182/193
7,946,006 B2 * 5/2011 Thompson F16B 45/02
24/592.11
D649,018 S * 11/2011 Kope D8/367

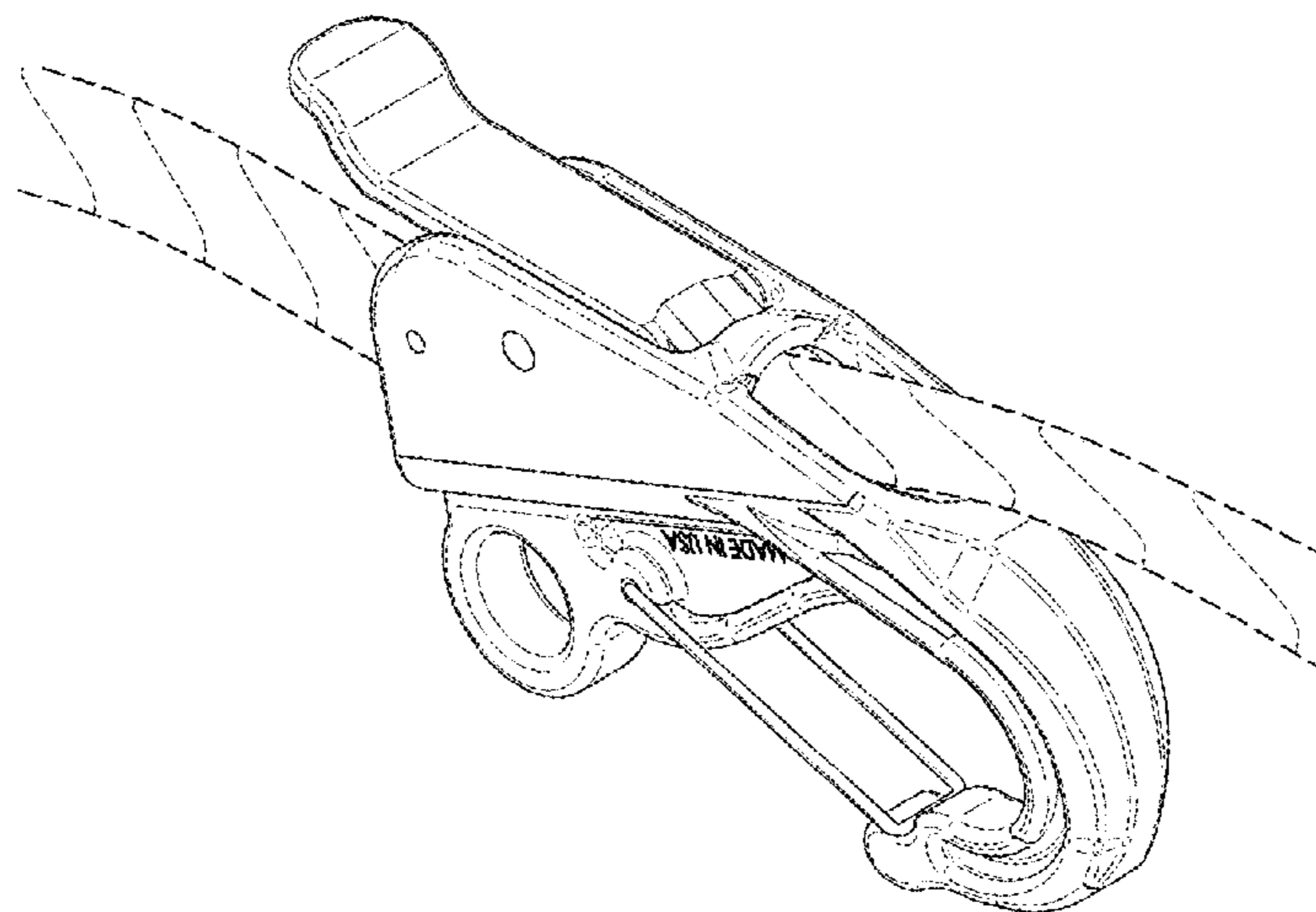
(57) **CLAIM**

The ornamental design for an anchor hook, as shown and described.

DESCRIPTION

FIG. 1 is a front side perspective view for an anchor hook showing my new design;
FIG. 2 is a front side view thereof;
FIG. 3 is a back side view thereof;
FIG. 4 is a top side view thereof;
FIG. 5 is a bottom side view thereof;
FIG. 6 is a left side view thereof;
FIG. 7 is a right side view thereof; and,
FIG. 8 is a perspective view thereof shown decreased in scale and in an environment of use.
The broken lines in FIG. 8 depict environmental subject matter of a rope and forms no part of the claimed design.

1 Claim, 4 Drawing Sheets



(56)

References Cited

U.S. PATENT DOCUMENTS

9,322,428 B2* 4/2016 Perner F16B 45/02
 D765,497 S * 9/2016 Petzl D8/356
 2007/0062014 A1* 3/2007 Casebolt F16B 45/02
 24/600.1
 2007/0186393 A1* 8/2007 Thompson F16B 45/02
 24/599.9
 2008/0022497 A1* 1/2008 Thompson F16B 45/02
 24/598.1
 2008/0174130 A1* 7/2008 Lin F16B 45/02
 294/82.2
 2009/0056088 A1* 3/2009 Petzl F16B 45/02
 24/599.9
 2011/0023275 A1* 2/2011 Thompson F16B 45/02
 24/594.1
 2011/0138587 A1* 6/2011 Walker F16B 45/02
 24/599.5
 2012/0011688 A1* 1/2012 Yang F16B 45/02
 24/599.8

2013/0219673 A1* 8/2013 Perner F16B 45/02
 24/375
 2014/0110956 A1* 4/2014 Lin F16B 45/02
 294/82.2
 2014/0123447 A1* 5/2014 Calvert F16B 45/025
 24/599.9
 2014/0245576 A1* 9/2014 Perner F16B 45/02
 24/600.1
 2015/0231423 A1* 8/2015 Perner A62B 35/0075
 24/505
 2016/0061251 A1* 3/2016 Rogelja F16B 45/02
 24/598.3
 2016/0101302 A1* 4/2016 Perner F16B 45/02
 24/573.11
 2016/0152453 A1* 6/2016 Wescott B66D 3/04
 182/3
 2016/0281766 A1* 9/2016 Moine A62B 35/0037
 2016/0361578 A1* 12/2016 Casebolt A62B 35/0037
 2016/0363159 A1* 12/2016 Yeh F16B 45/02
 2016/0376129 A1* 12/2016 Hendrix F16B 45/02
 294/82.2

* cited by examiner

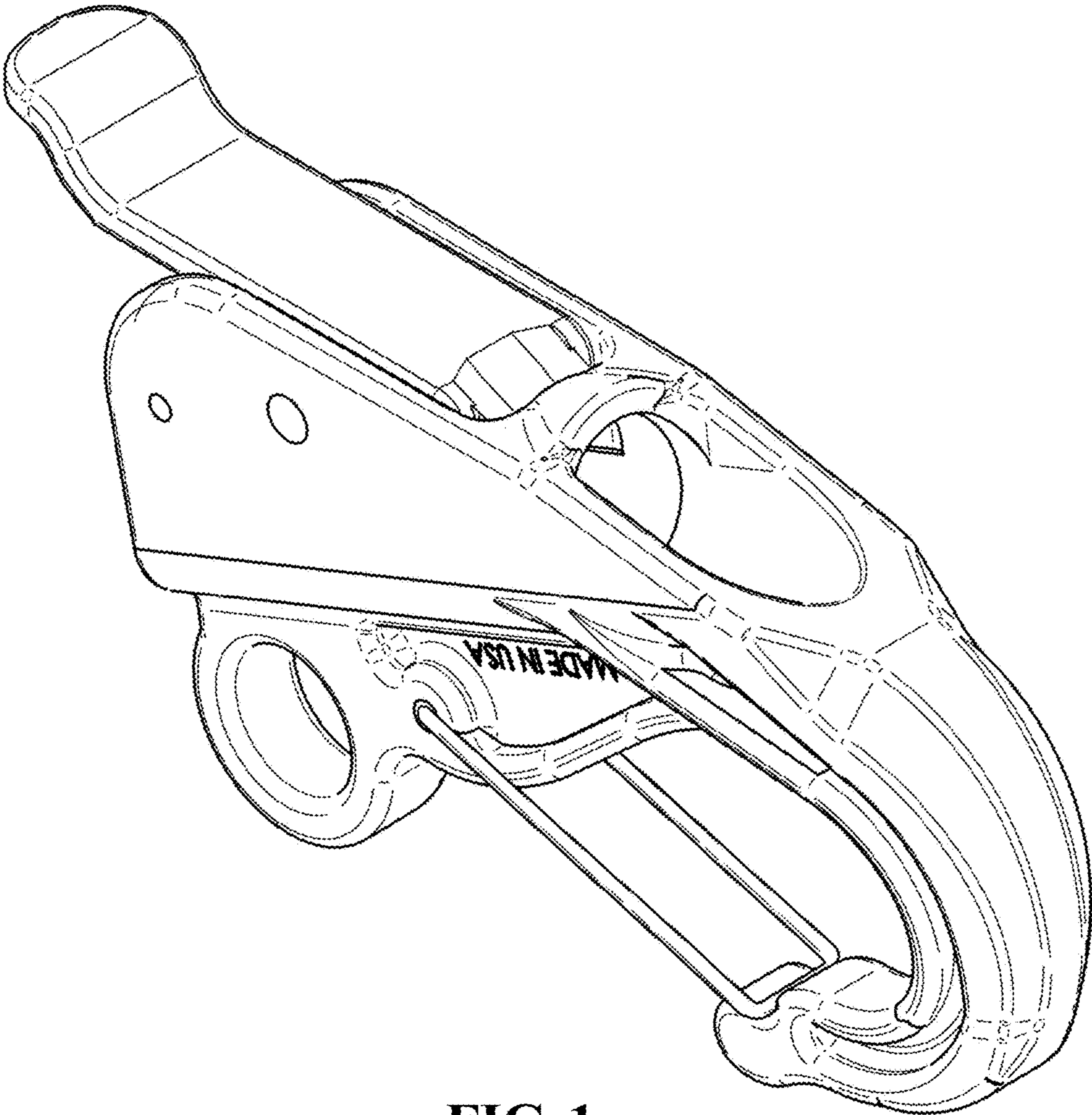


FIG. 1

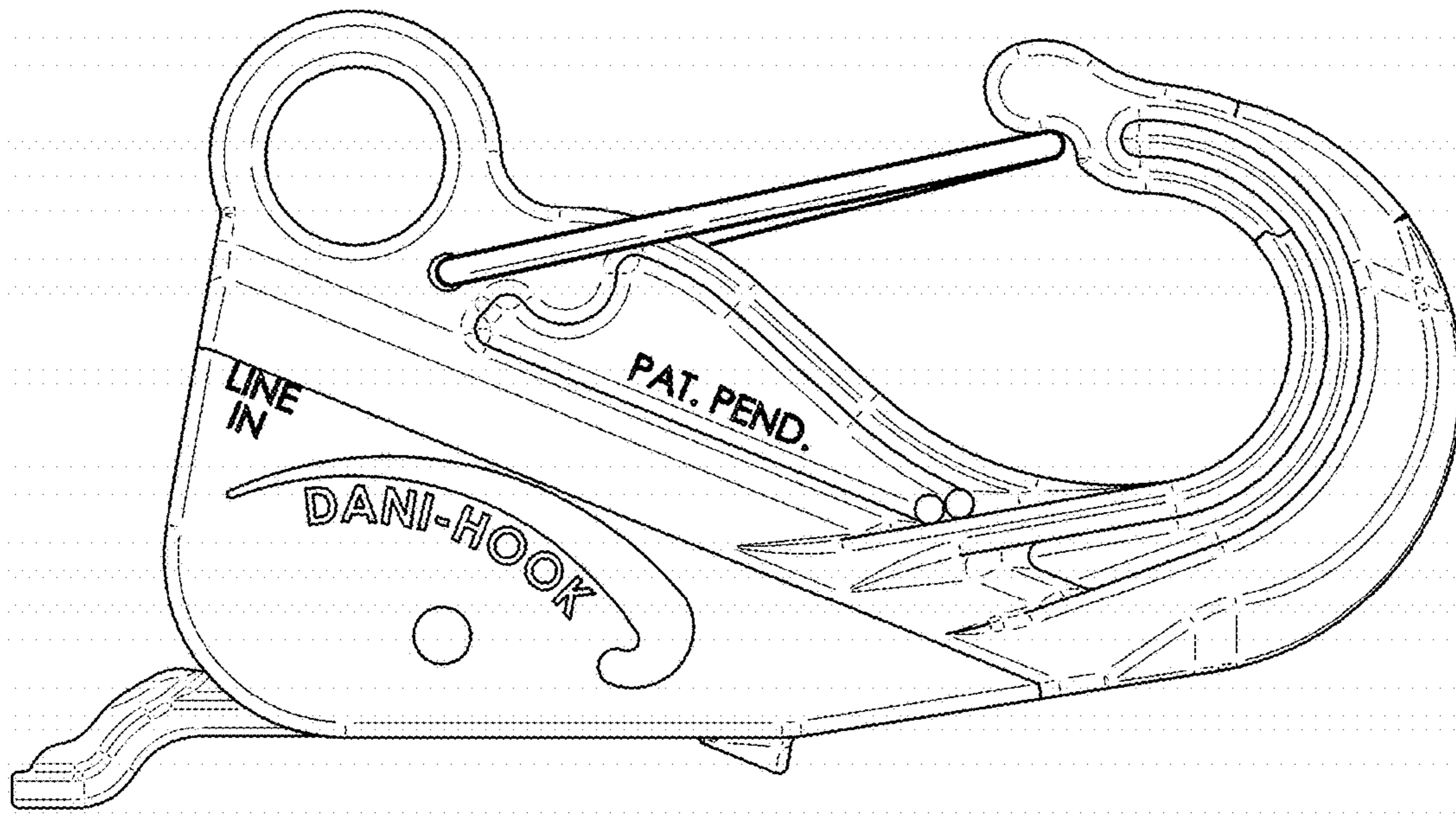


FIG. 2

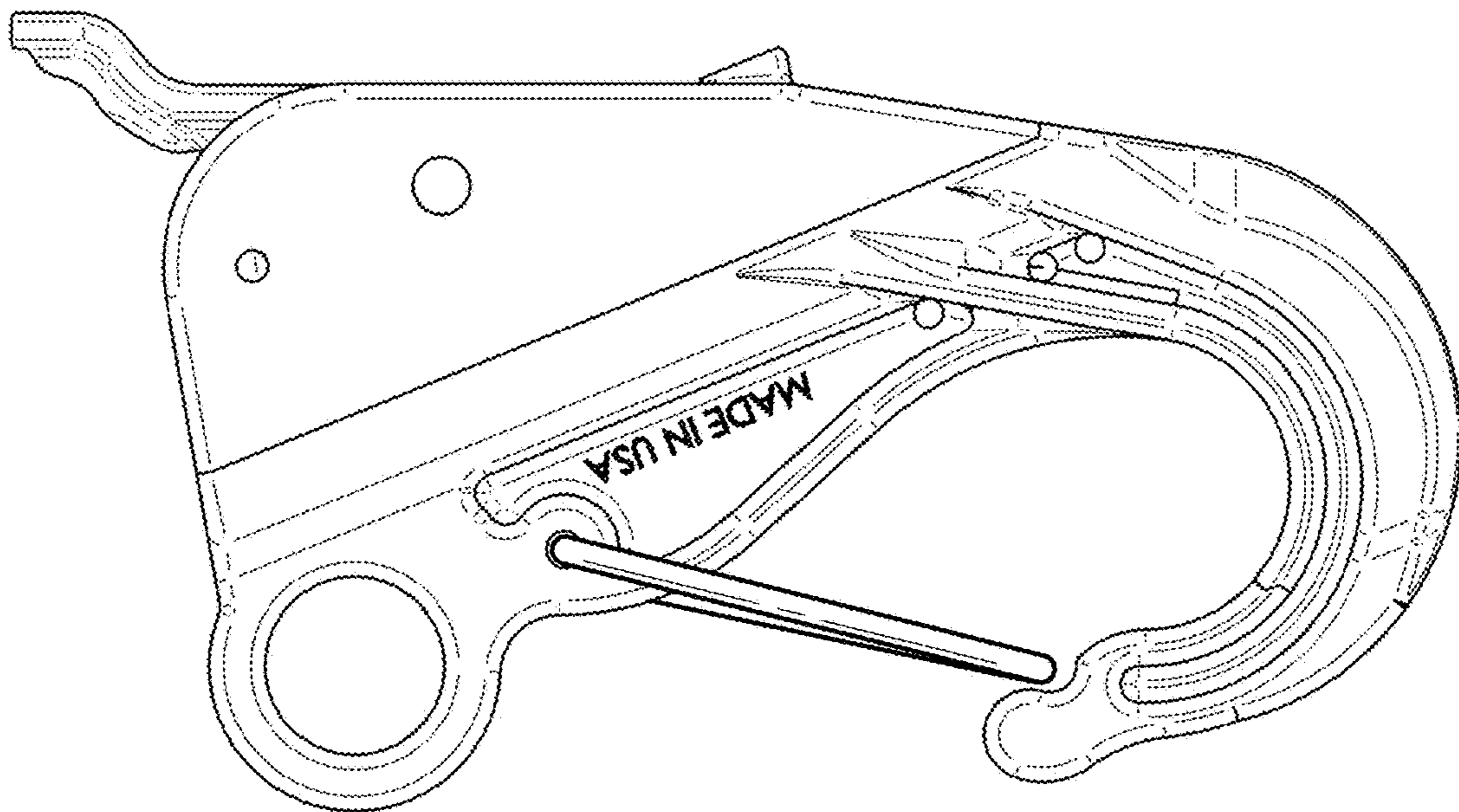


FIG. 3

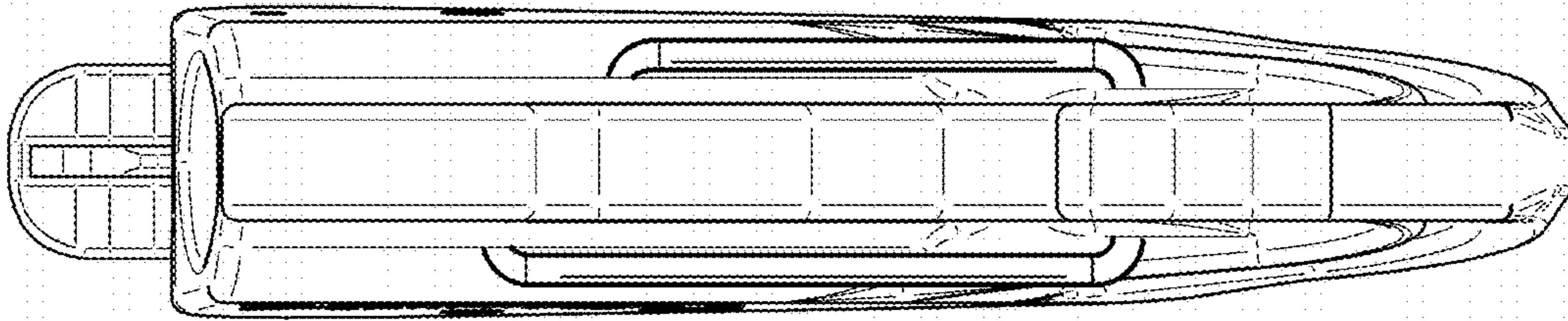


FIG. 4

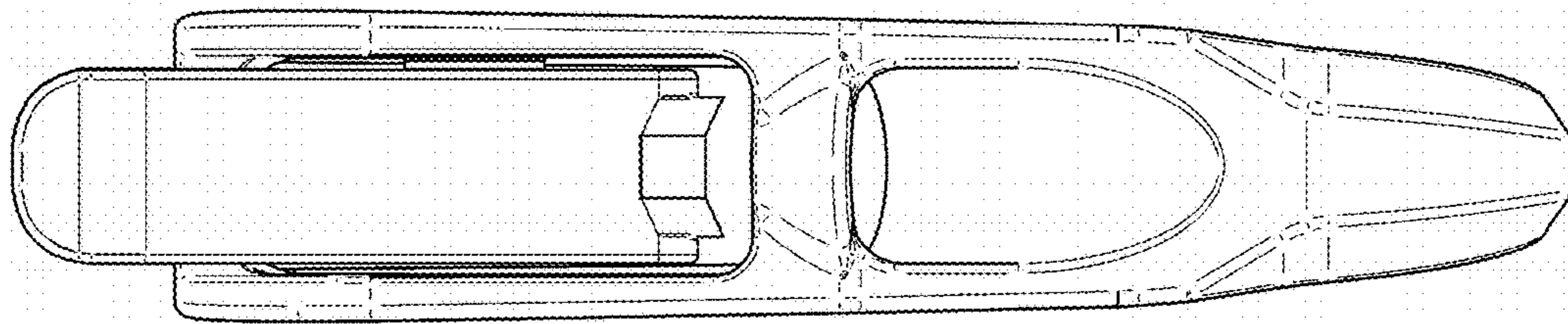


FIG. 5

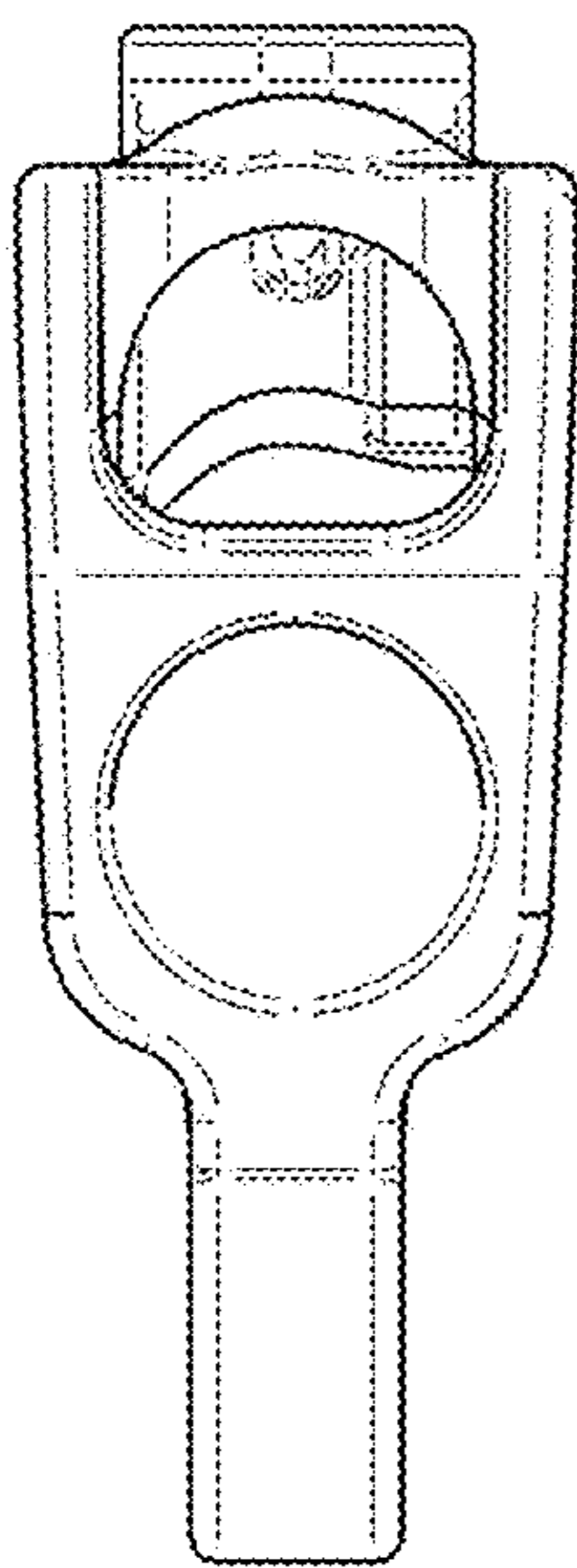


FIG. 6

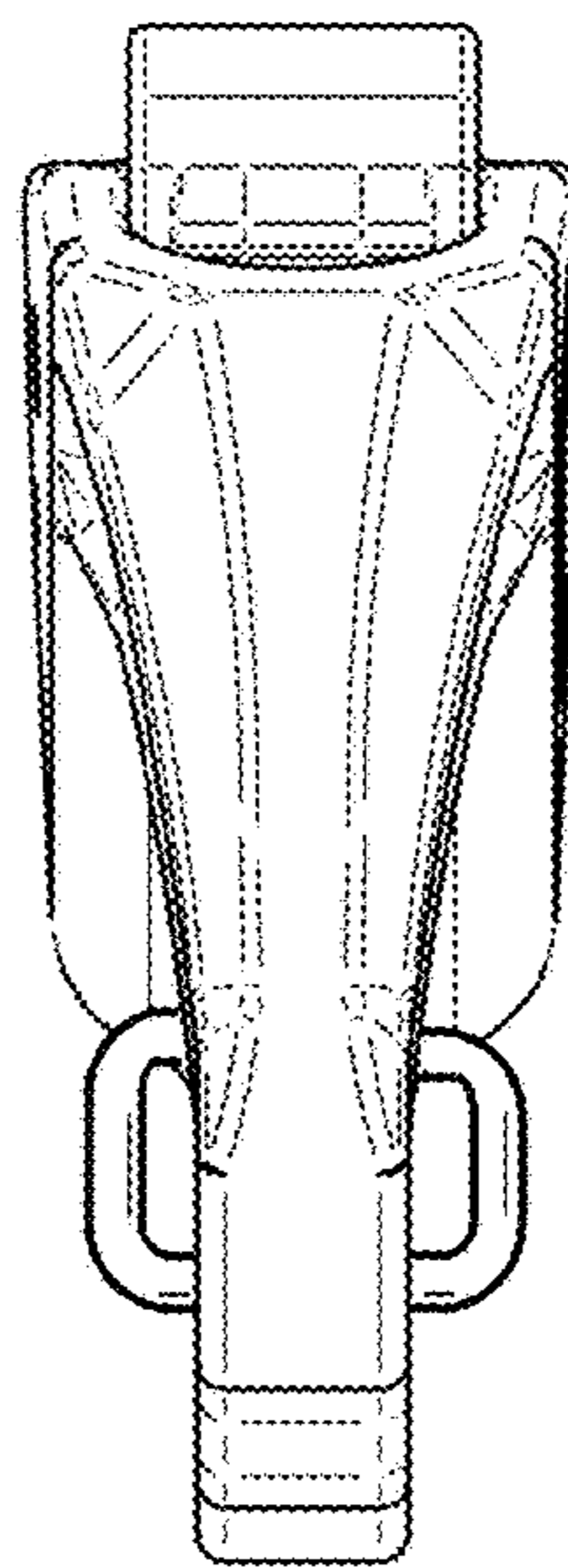


FIG. 7

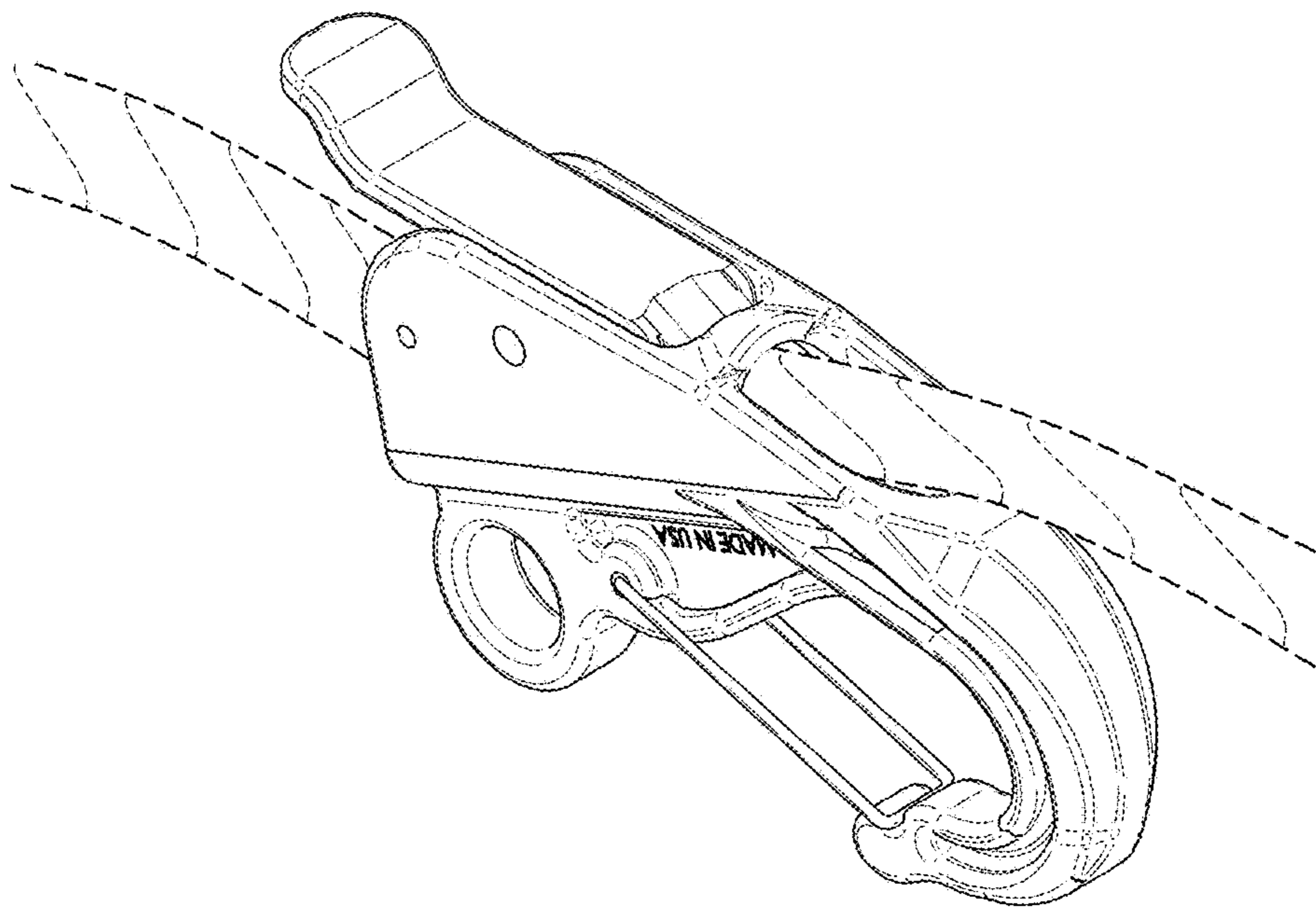


FIG. 8