



US00D786046S

(12) **United States Design Patent**
Mack

(10) **Patent No.:** **US D786,046 S**

(45) **Date of Patent:** **** May 9, 2017**

- (54) **GUN SAFE SECURITY CABLE**
- (71) Applicant: **Hornady Manufacturing Company,**
Grand Island, NE (US)
- (72) Inventor: **Matthew Mack,** Grand Island, NE (US)
- (73) Assignee: **Hornady Manufacturing Company,**
Grand Island, NE (US)
- (**) Term: **15 Years**
- (21) Appl. No.: **29/559,529**
- (22) Filed: **Mar. 29, 2016**
- (51) **LOC (10) Cl.** **08-07**
- (52) **U.S. Cl.**
USPC **D8/333; D8/330**
- (58) **Field of Classification Search**
USPC D8/330, 331, 333, 339, 343, 345, 349;
70/14, 18, 30, 49, 58, 232, 233, 312, 51,
70/DIG. 57; 292/256, 262, 264, 281, 288
CPC E05B 15/00; E05B 17/00; E05B 37/002;
E05B 69/00; E05B 73/00; E05B 73/0029;
E05N 73/0017
See application file for complete search history.

- 5,603,416 A * 2/1997 Richardson A47F 7/024
211/4
- 6,003,348 A * 12/1999 McCrea E05B 73/0005
70/18
- D427,883 S * 7/2000 Ling D8/331
- 6,167,734 B1 * 1/2001 Derman E05B 73/0005
248/552
- 7,104,093 B2 * 9/2006 Ling E05B 71/00
70/25
- 7,299,668 B1 * 11/2007 Lu E05B 73/0082
70/14
- 7,302,816 B1 * 12/2007 Lu E05B 73/0082
70/14
- D738,703 S * 9/2015 Thomson D8/333

* cited by examiner

Primary Examiner — Prabhakar Deshmukh
(74) *Attorney, Agent, or Firm* — McHale & Slavin, P.A.

(57) **CLAIM**

The ornamental design for a gun safe security cable, as shown and described.

DESCRIPTION

FIG. 1 is a perspective view of a gun safe security cable showing our new design;
FIG. 2 is a side elevational view thereof;
FIG. 3 is a top view thereof;
FIG. 4 is an end view thereof; and,
FIG. 5 is a perspective view thereof, shown in environmental use.

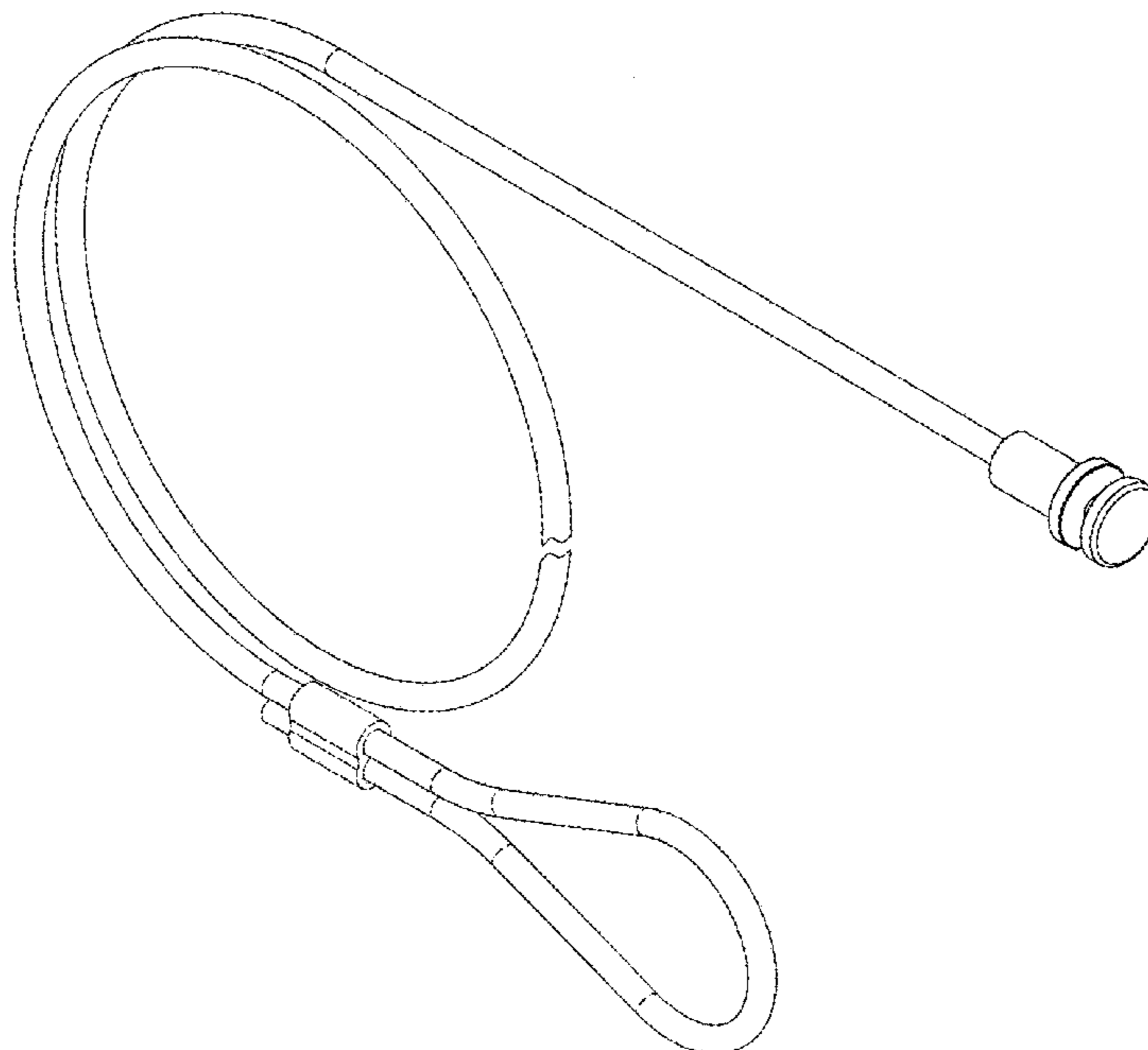
The broken lines indicate environment and forms no part of the claimed design. The break lines indicate undermined length and portions between the break lines form no part of the claimed design.

1 Claim, 5 Drawing Sheets

(56) **References Cited**

U.S. PATENT DOCUMENTS

- 3,017,678 A * 1/1962 Christensen B63B 21/08
24/134 R
- 3,435,642 A * 4/1969 Pesco E05B 67/003
24/115 R
- D267,470 S * 1/1983 Scherbing D8/333
- D347,157 S * 5/1994 Brown D8/333
- D370,401 S * 6/1996 Minkin D8/333



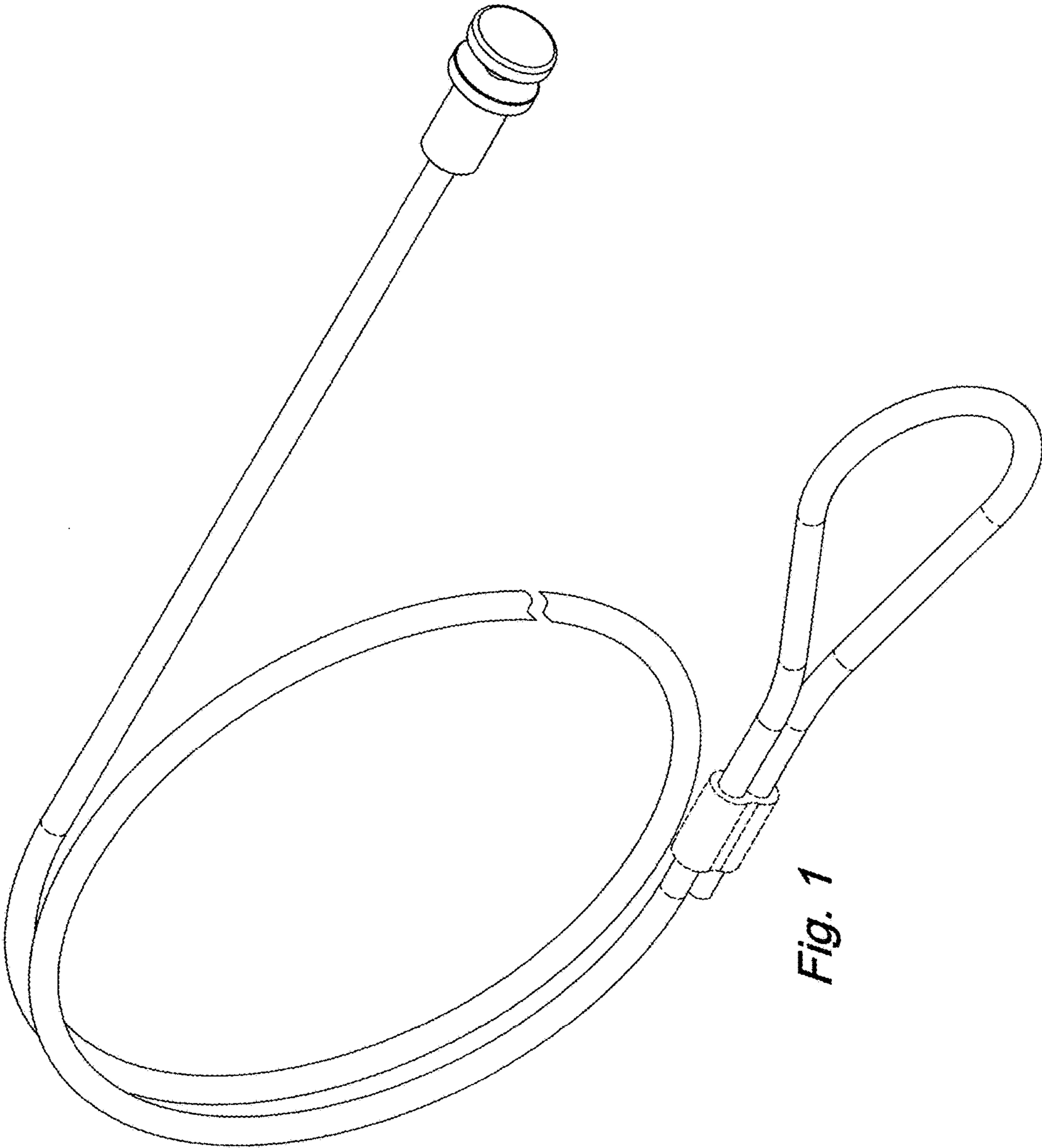


Fig. 1

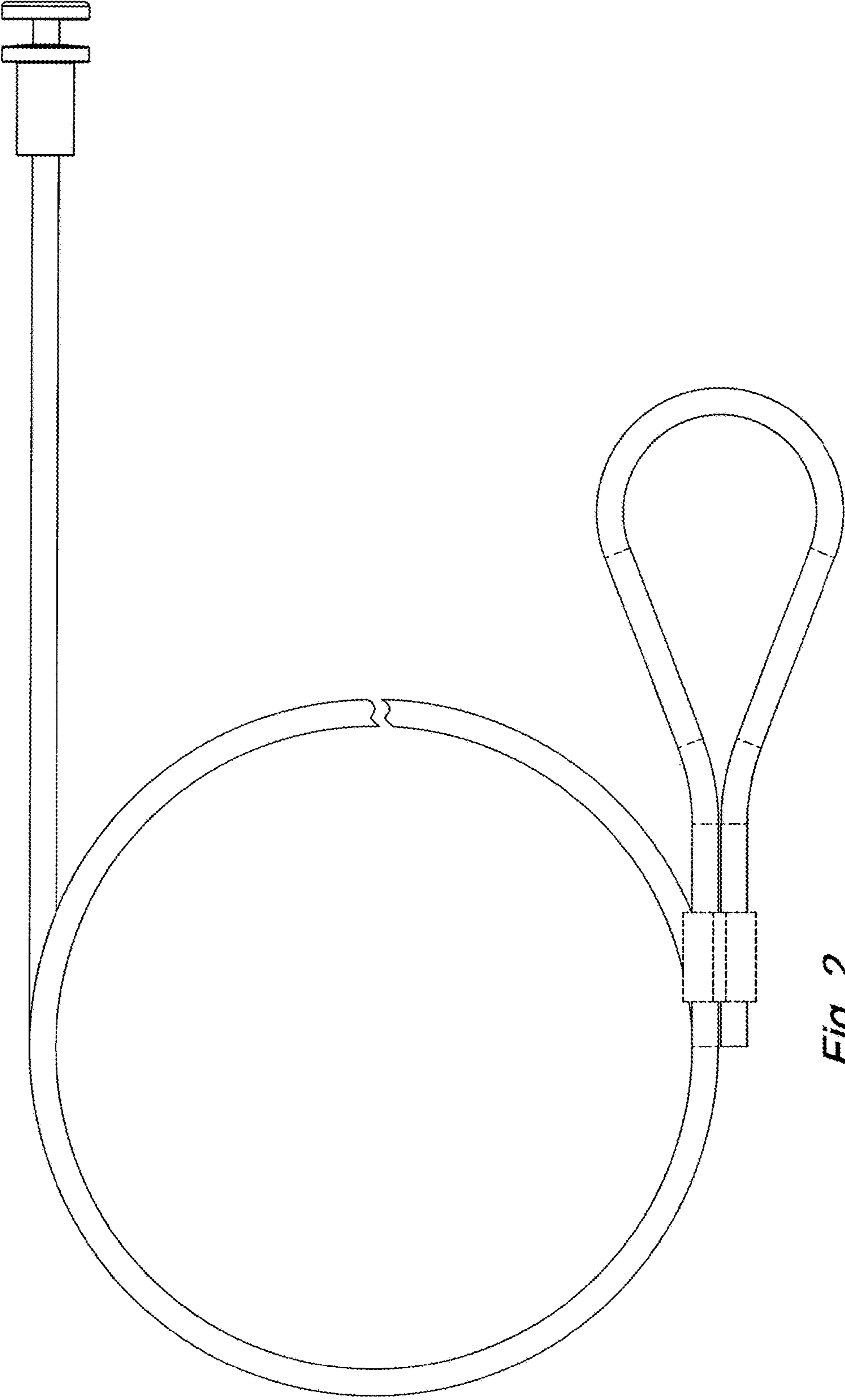


Fig. 2

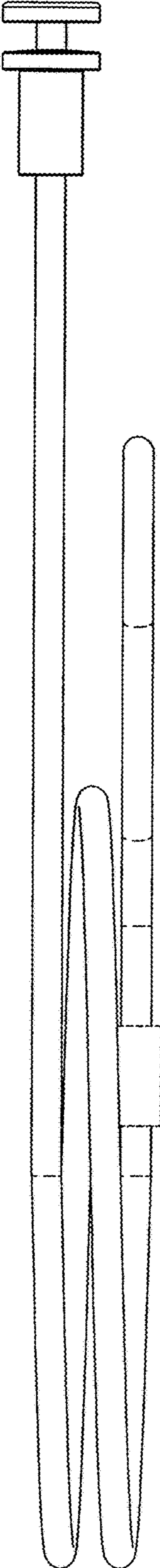


Fig. 3

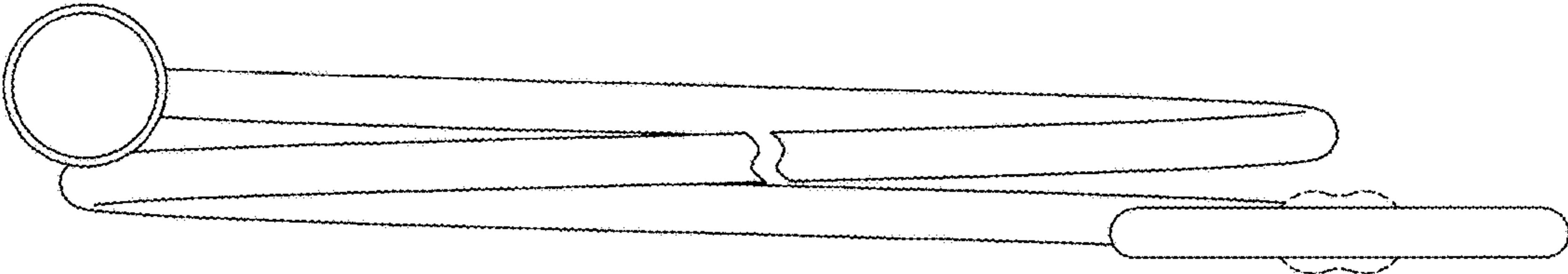


Fig. 4

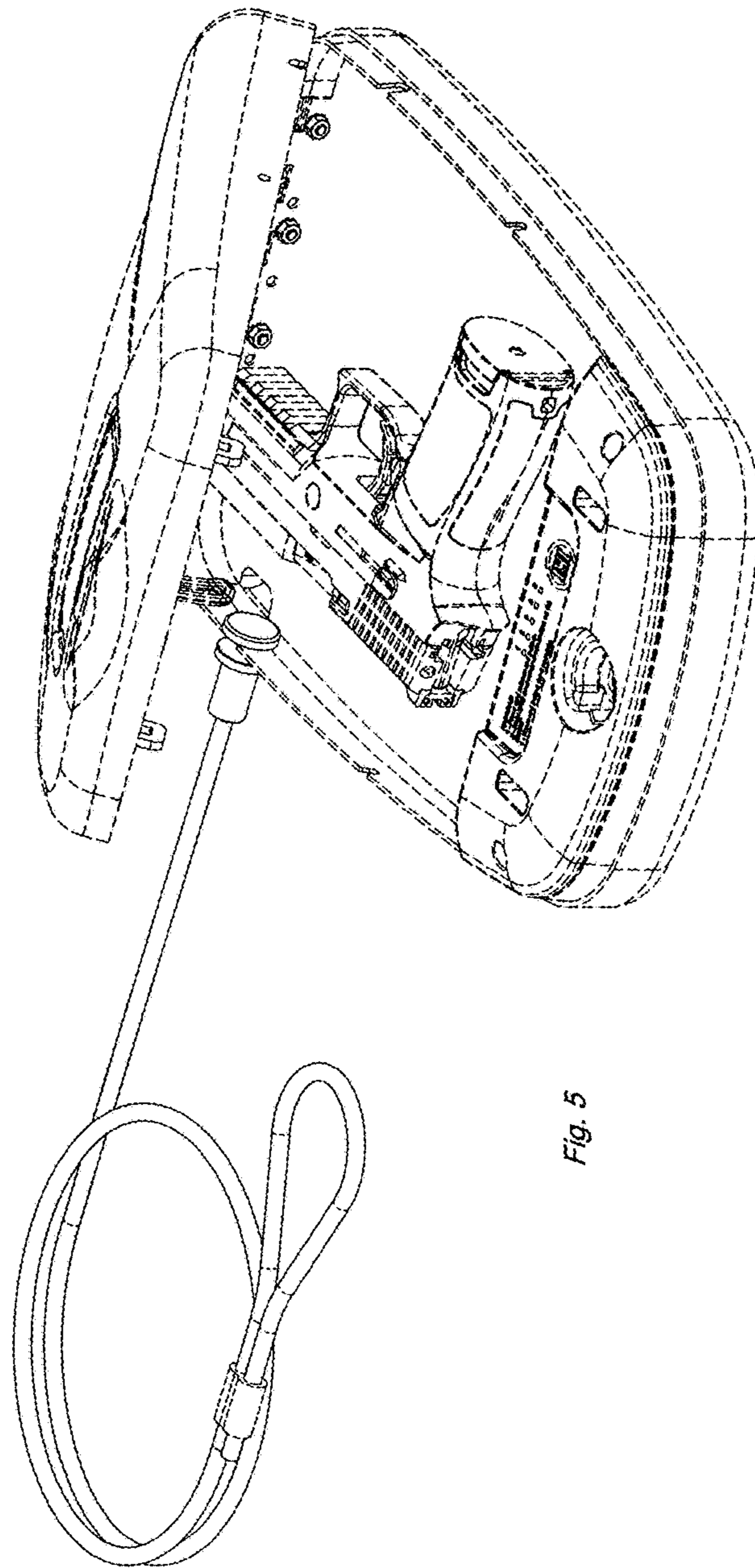


Fig. 5