



US00D786045S

(12) **United States Design Patent**
Zaniker et al.

(10) **Patent No.:** **US D786,045 S**

(45) **Date of Patent:** **** May 9, 2017**

- (54) **COIN-OPERATED LOCKER**
- (71) Applicant: **BEST LOCKERS, LLC**, Beltsville, MD (US)
- (72) Inventors: **John Zaniker**, Severna Park, MD (US);
Dennis Toibero, Laurel, MD (US);
Scott Nelson, Apopka, FL (US)
- (73) Assignee: **Best Lockers, LLC**, Beltsville, MD (US)
- (**) Term: **14 Years**
- (21) Appl. No.: **29/498,047**
- (22) Filed: **Jul. 30, 2014**

- 5,126,732 A * 6/1992 Mardon G07F 17/12
340/5.33
- 5,169,222 A * 12/1992 Bollore G07F 17/12
312/319.2
- 5,233,343 A * 8/1993 Mazzoni G07F 17/12
221/154
- 6,449,993 B2 * 9/2002 Elliott A45C 5/14
206/510

(Continued)

Primary Examiner — Susan Bennett Hattan
Assistant Examiner — Rebecca Tsehaye
(74) *Attorney, Agent, or Firm* — Dentons US LLP

(57) **CLAIM**

The ornamental coin-operated locker, as shown and described.

DESCRIPTION

FIG. 1 is an illustration of a perspective view of an ornamental coin-operated locker;
 FIG. 2 is an illustration of a front view of an ornamental design of the retrofitted locker;
 FIG. 3 is an illustration of a rear view of an ornamental design of the retrofitted locker;
 FIG. 4 is an illustration of a right-side view of an ornamental design of the retrofitted locker;
 FIG. 5 is an illustration of a left-side view of an ornamental design of the retrofitted locker;
 FIG. 6 is an illustration of a top view of an ornamental design of the retrofitted locker;
 FIG. 7 is an illustration of a bottom view of an ornamental design of the retrofitted locker; and,
 FIG. 8 is an illustration of a perspective view of a bank of coin-operated lockers retrofitted with electronic locks.
 The texture lines and broken lines on the lockers are for the purpose of illustrating portions of the retrofitted lockers and form no part of the claimed design.
 The broken lines in FIG. 8 depict environment that forms no part of the claimed design.

Related U.S. Application Data

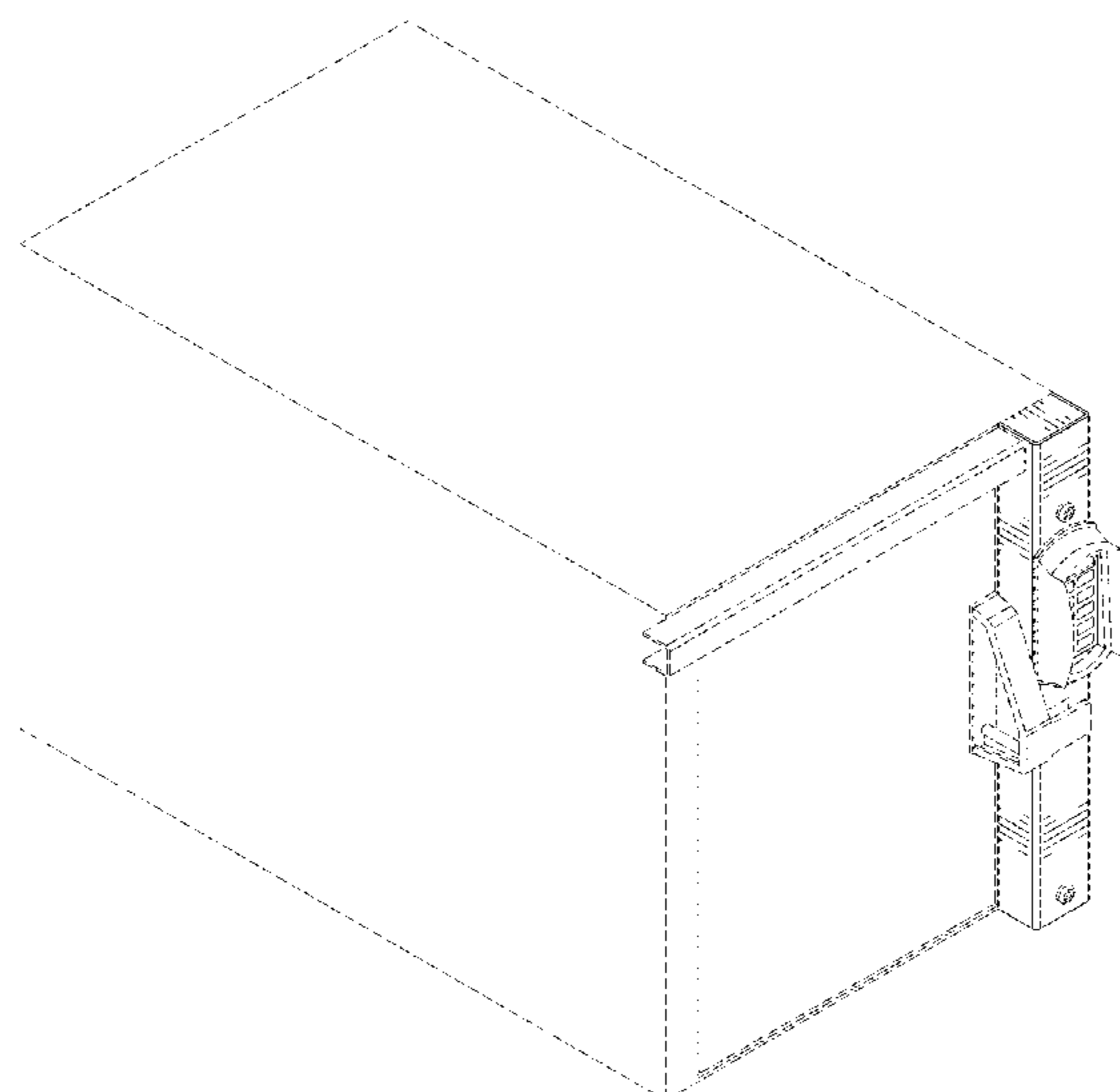
- (63) Continuation of application No. 14/257,810, filed on Apr. 21, 2014.
- (51) **LOC (10) Cl.** **08-07**
- (52) **U.S. Cl.**
USPC **D8/331**
- (58) **Field of Classification Search**
USPC D6/703, 702; D99/28, 33; 70/277,
70/278.1, 63, 77, 78, 91, 85, DIG. 41;
340/5.9, 5.2, 5.33, 5.73, 5.65; 109/45.58,
109/64
CPC G07F 17/10; G07F 17/12; G07F 17/00;
G07F 6/22; G07F 5/04; E05B 47/06;
E05B 47/0657
See application file for complete search history.

(56) **References Cited**

U.S. PATENT DOCUMENTS

- 4,557,365 A * 12/1985 Stackhouse G07F 5/04
194/226
- 4,631,937 A * 12/1986 Debus E05B 13/002
292/336.3

1 Claim, 8 Drawing Sheets



(56)

References Cited

U.S. PATENT DOCUMENTS

8,161,781 B2 * 4/2012 Gokcebay E05B 47/0657
340/5.2
D748,365 S * 1/2016 Nelson D99/28
9,273,492 B2 * 3/2016 Gokcebay E05B 47/06
2005/0179517 A1 * 8/2005 Harms G07F 5/22
340/5.9
2007/0277571 A1 * 12/2007 Gokcebay G07C 9/00666
70/278.1
2008/0252083 A1 10/2008 Carabalona
2009/0193859 A1 8/2009 Kwon et al.
2013/0166060 A1 6/2013 Irwin et al.
2013/0199094 A1 8/2013 Lachance et al.
2014/0109634 A1 4/2014 Almomani et al.

* cited by examiner

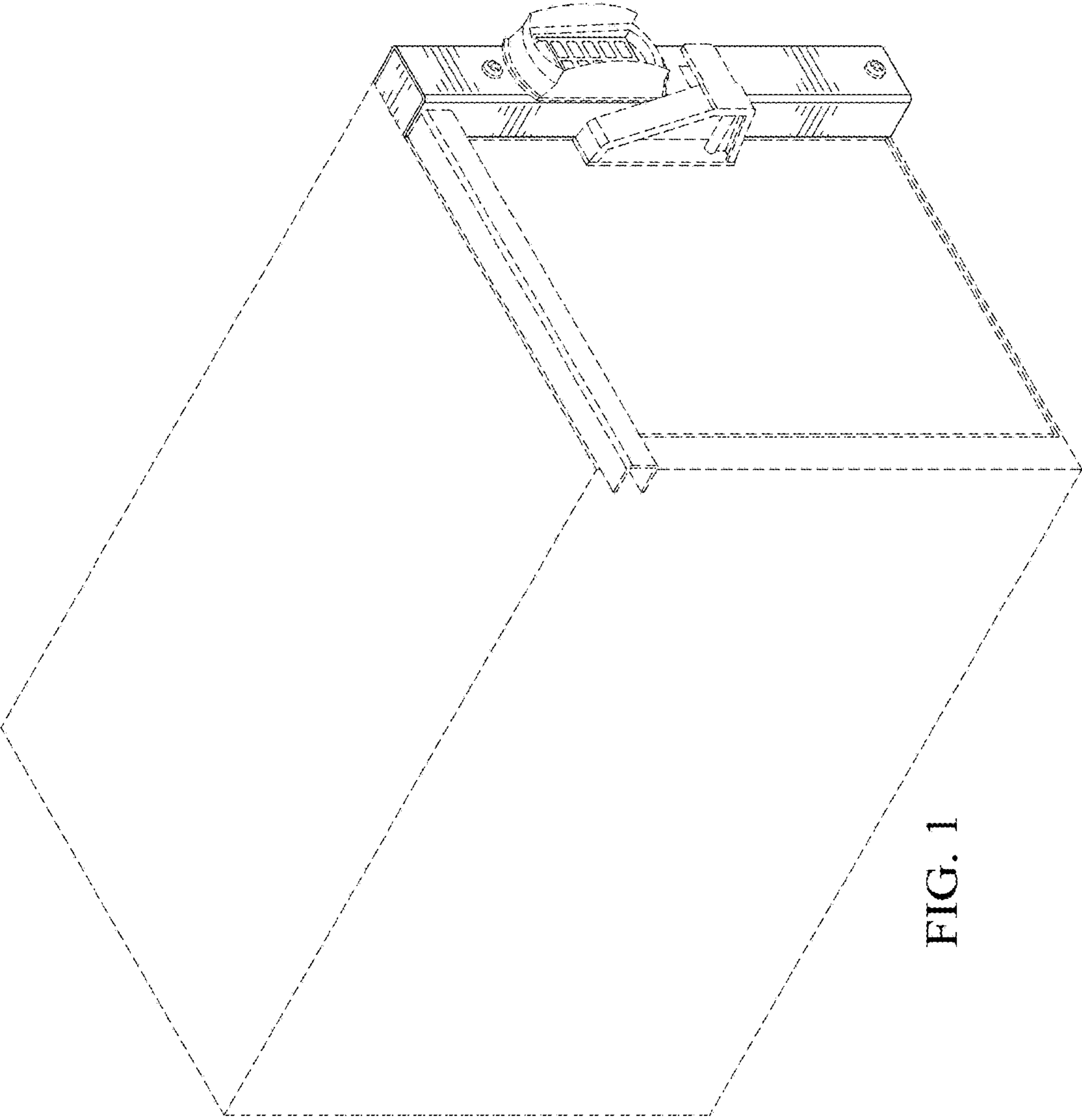


FIG. 1

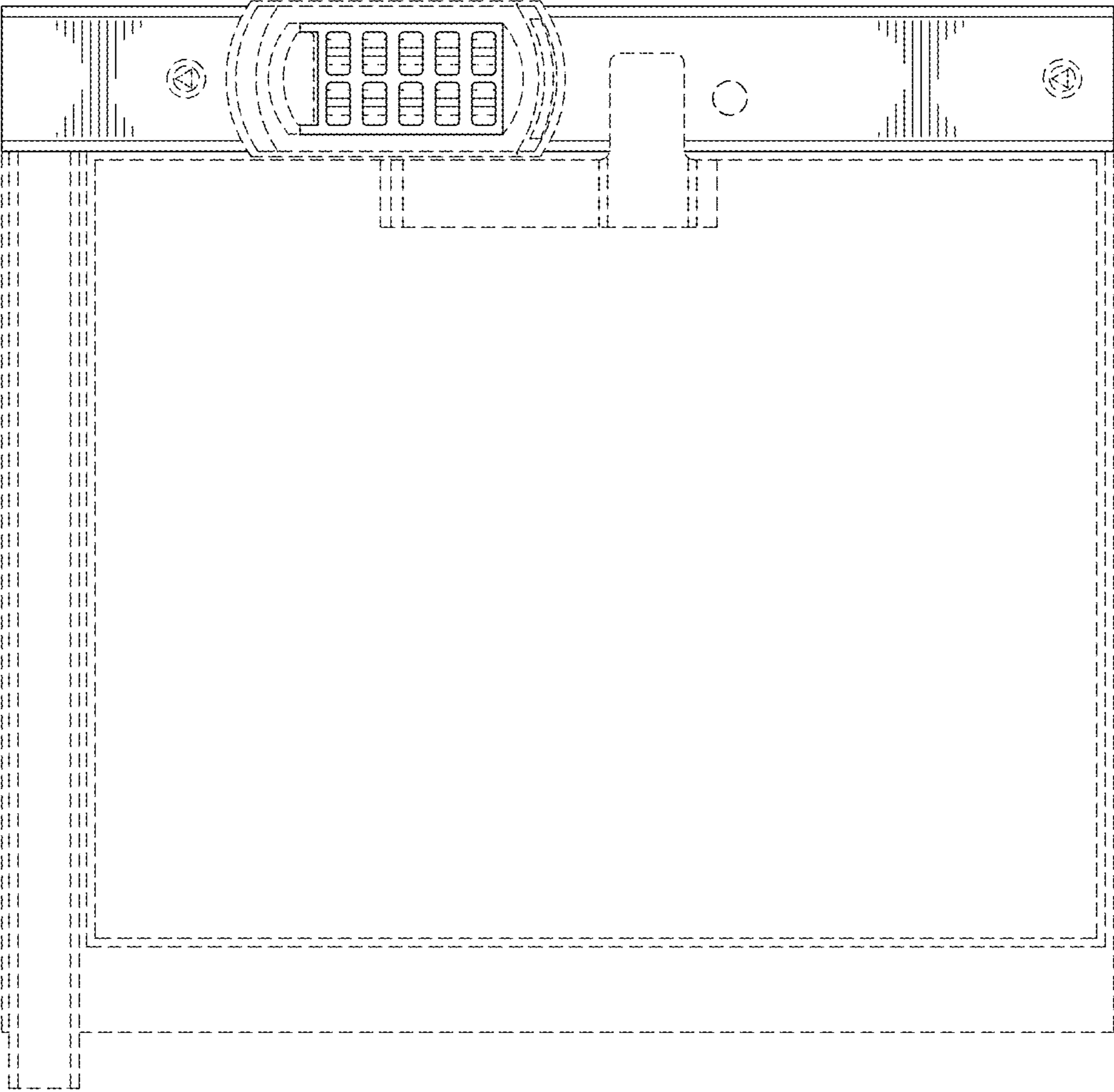


FIG. 2



FIG. 3



FIG. 4



FIG. 5



FIG. 6



FIG. 7

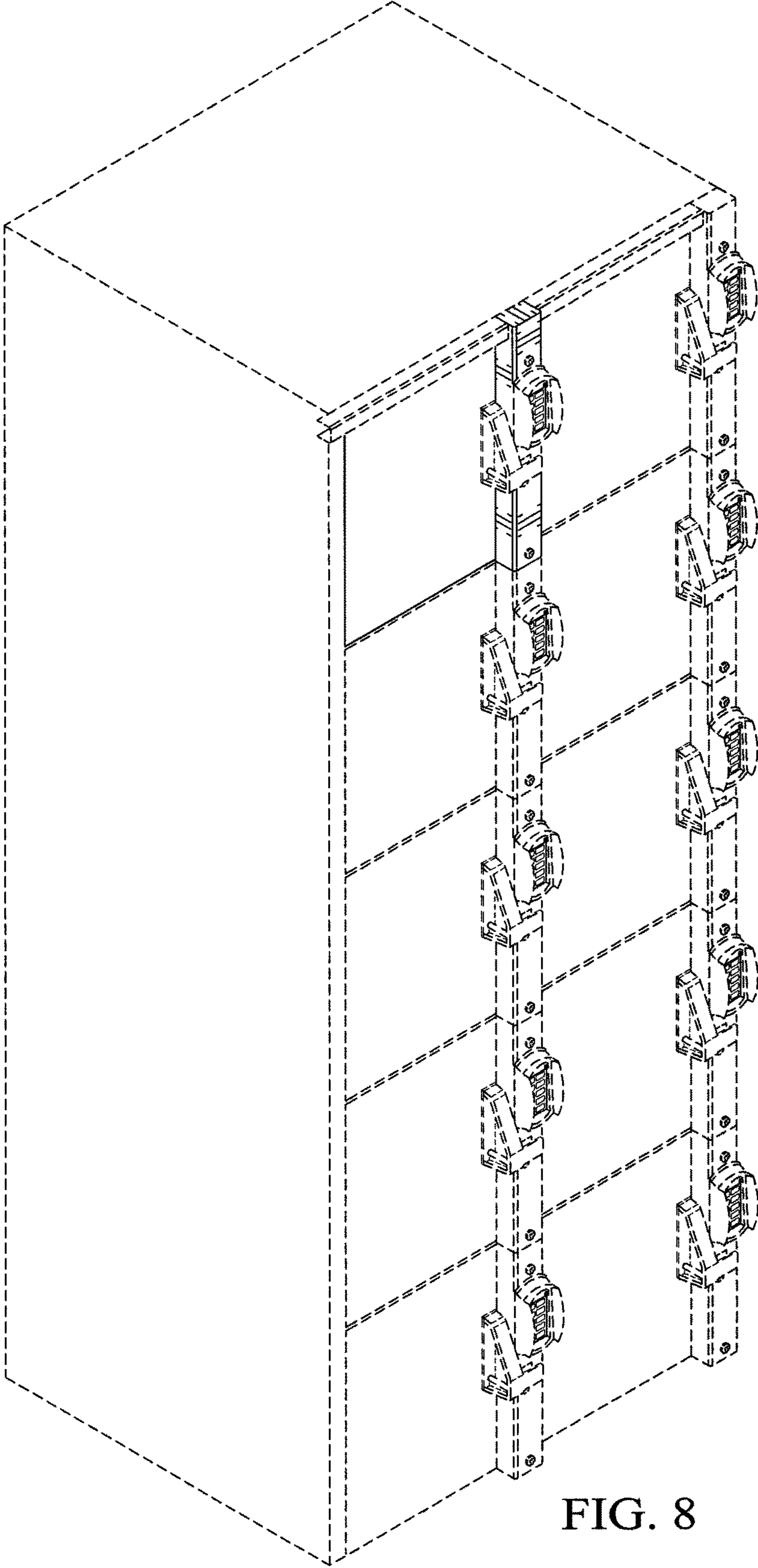


FIG. 8