



US00D786044S

(12) **United States Design Patent** (10) **Patent No.:** **US D786,044 S**
Mello (45) **Date of Patent:** **** May 9, 2017**

(54) **GARAGE DOOR SECURITY PLATE ASSEMBLY**

(71) Applicant: **Thomas A. Mello**, Scottsdale, AZ (US)

(72) Inventor: **Thomas A. Mello**, Scottsdale, AZ (US)

(**) Term: **15 Years**

(21) Appl. No.: **29/537,151**

(22) Filed: **Aug. 22, 2015**

(51) **LOC (10) Cl.** **08-07**

(52) **U.S. Cl.**

USPC **D8/330**; D8/343

(58) **Field of Classification Search**

USPC D8/330, 331, 339, 340, 343, 349, 400, D8/403, 499, 354, 355; 70/51, 52, 250, 70/229, 262, 431, 451, DIG. 11, 54-56, 70/346; 292/289, 290, 292, DIG. 53, 292/DIG. 54, DIG. 2, DIG. 36; 52/27, 29, 52/60, 204.1, 242, 272, 288.1, 506.01, 39, 52/273; D25/102, 113, 134; 160/188, 160/189, 201

CPC E05B 9/00; E05B 65/00; E05B 65/0021; E05C 17/24; E05C 3/00; E05C 21/00; E04D 1/36

See application file for complete search history.

(56) **References Cited**

U.S. PATENT DOCUMENTS

2,122,220	A *	6/1938	Turner	E05C 17/24
					292/263
4,463,292	A *	7/1984	Engelmann	E05F 15/79
					318/283
5,188,163	A *	2/1993	Schwartzengraber	E05F 15/668
					160/201
5,533,561	A *	7/1996	Forehand, IV	E05B 47/0002
					160/188
5,934,111	A *	8/1999	Hernandez	E05C 19/08
					292/205
6,273,174	B1	8/2001	Singleton		

6,325,134	B1 *	12/2001	Mullet	E05F 15/668
					160/189
6,878,889	B1 *	4/2005	Horst	E05F 15/668
					200/283
D525,859	S *	8/2006	Eichert	D8/344
7,665,504	B2 *	2/2010	Schulze	E05F 15/668
					16/DIG. 1
8,403,022	B2	3/2013	Womacks		
D697,386	S *	1/2014	Dooley	D8/343
D700,500	S *	3/2014	Cochrane	D8/343
8,936,064	B1	1/2015	Diaz		
D760,063	S *	6/2016	Mello	D8/339
2012/0019011	A1	1/2012	Laborde		

(Continued)

Primary Examiner — Prabhakar Deshmukh

(74) *Attorney, Agent, or Firm* — Schmeiser, Olsen & Watts LLP

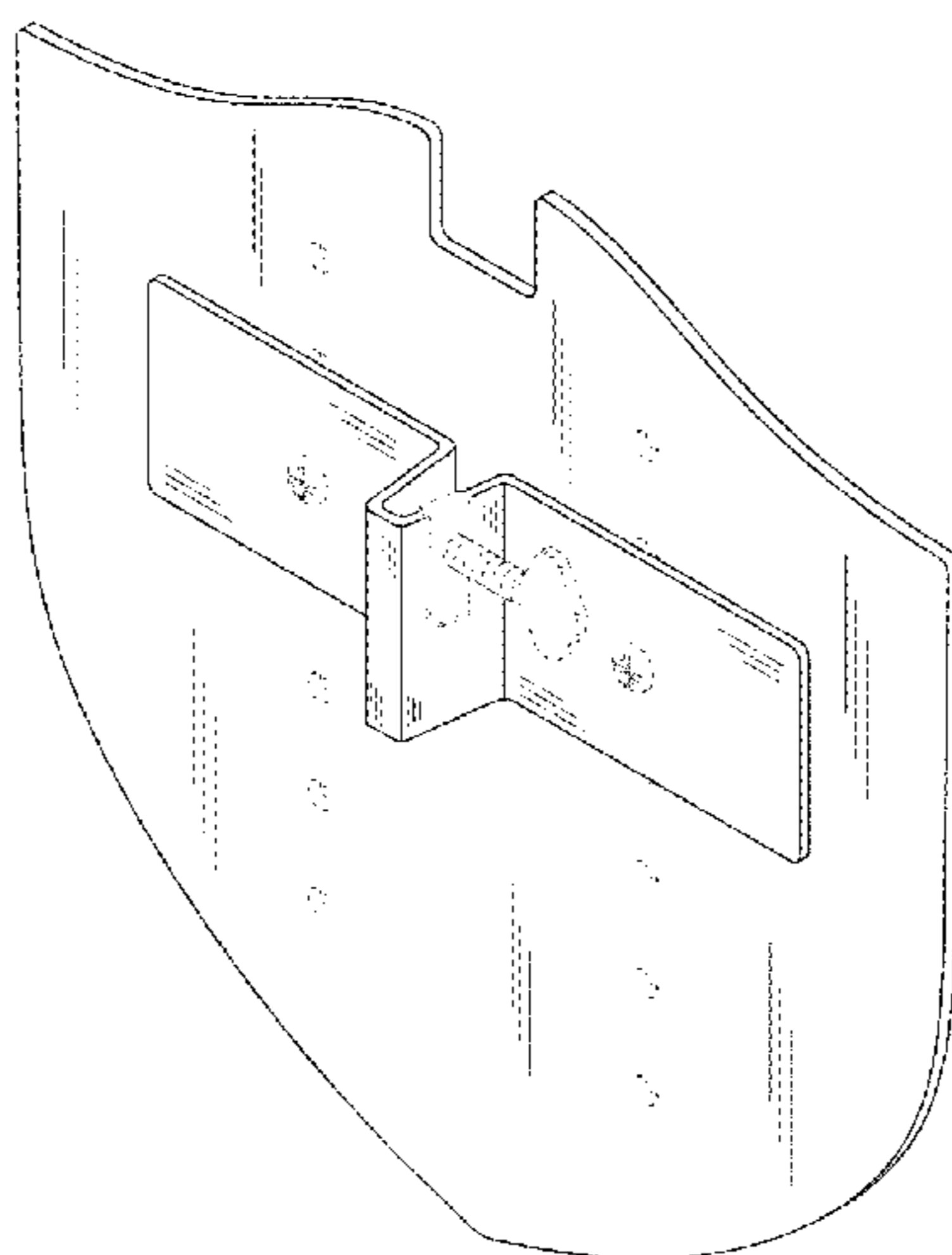
(57) **CLAIM**

The ornamental design for a garage door security plate assembly, as shown and described.

DESCRIPTION

FIG. 1 is a front elevational view of a garage door security plate assembly showing my new design;
 FIG. 2 is a left side elevational view thereof;
 FIG. 3 is a top plan view thereof;
 FIG. 4 is a bottom plan view thereof;
 FIG. 5 is a right side elevational view thereof;
 FIG. 6 is a rear elevational view thereof;
 FIG. 7 is a rear perspective view thereof;
 FIG. 8 is a perspective view thereof, shown in environmental use; and,
 FIG. 9 is a rear elevational view thereof, with mounting bracket located in an alternate location.
 The broken lines in FIG. 8 illustrate environment while other broken lines in the drawings indicate fixtures. None of the broken lines form part of the claimed design.

1 Claim, 5 Drawing Sheets



(56)

References Cited

U.S. PATENT DOCUMENTS

2012/0138240 A1 6/2012 Womacks
2015/0184421 A1 7/2015 Schulte et al.

* cited by examiner

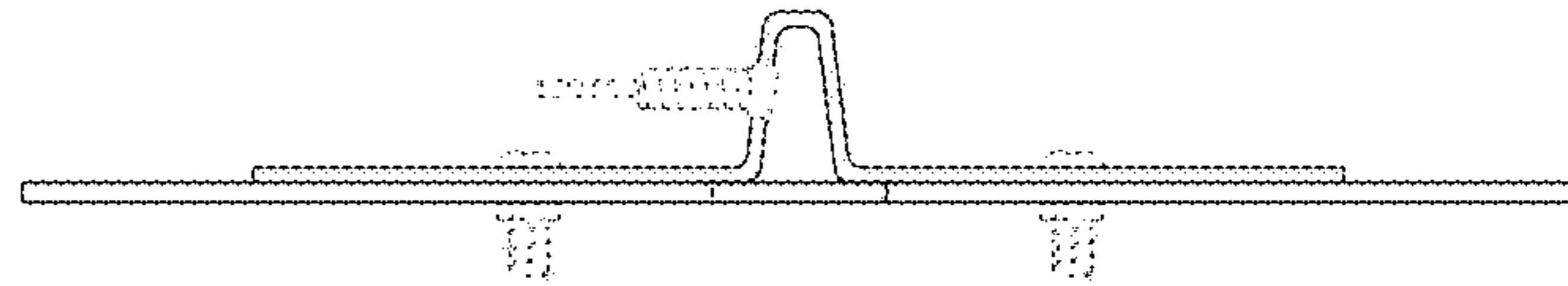


FIG. 3

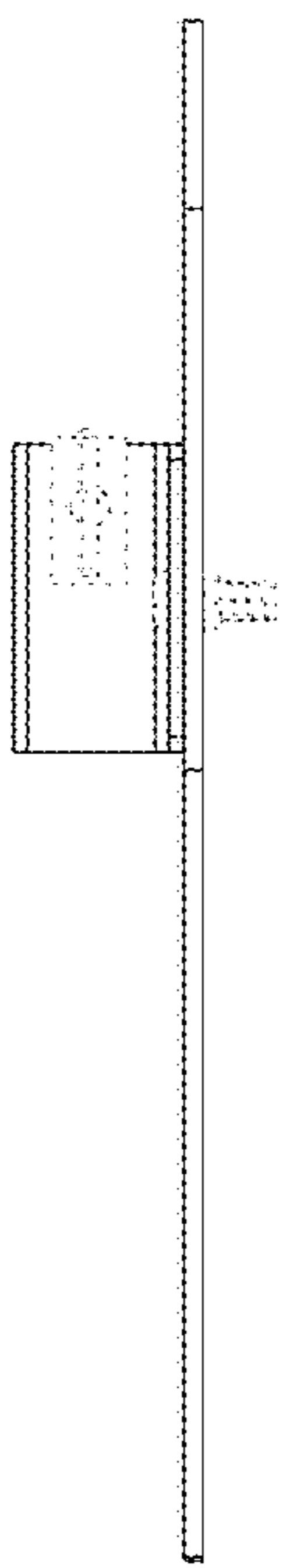


FIG. 2

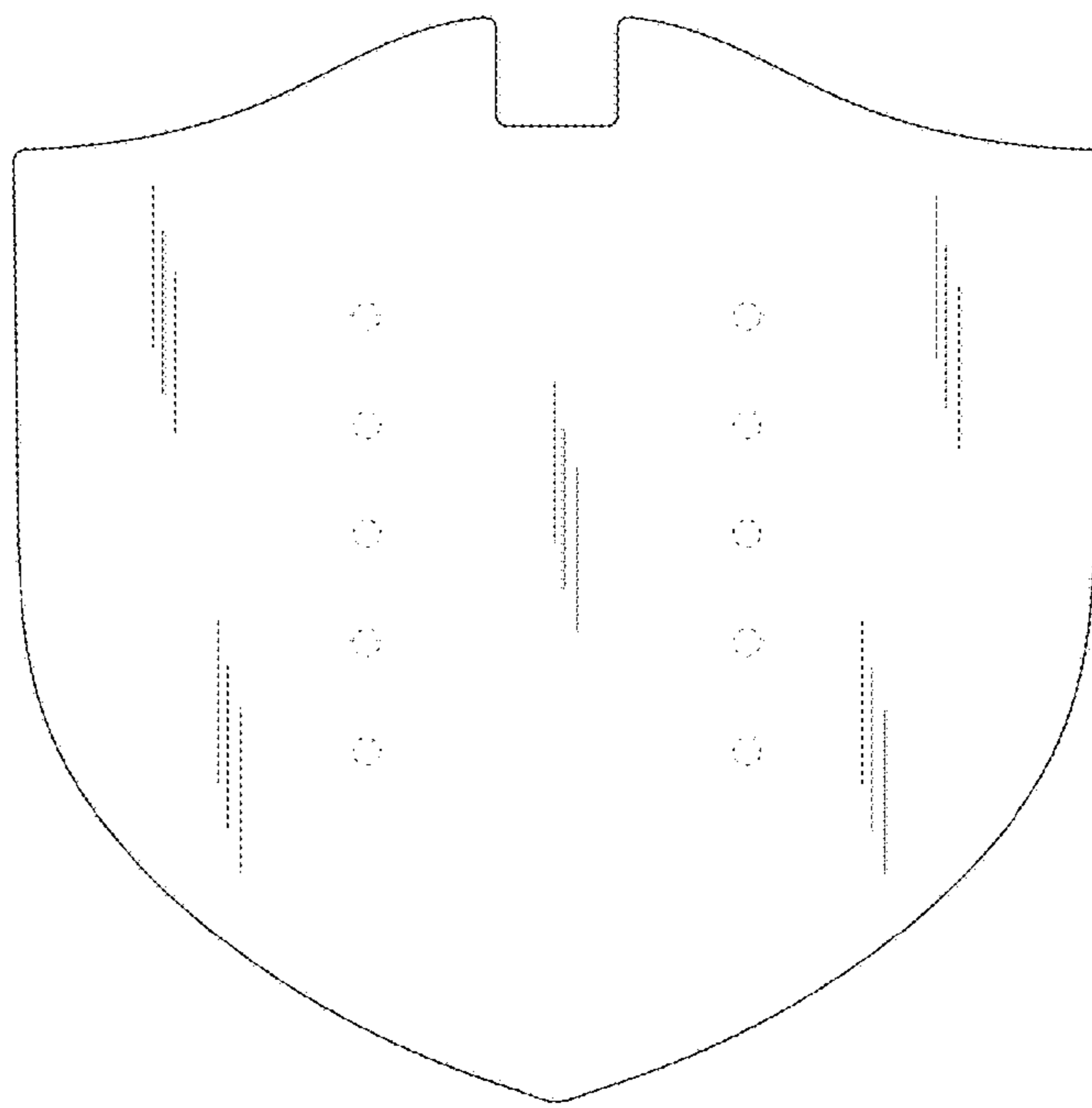


FIG. 1

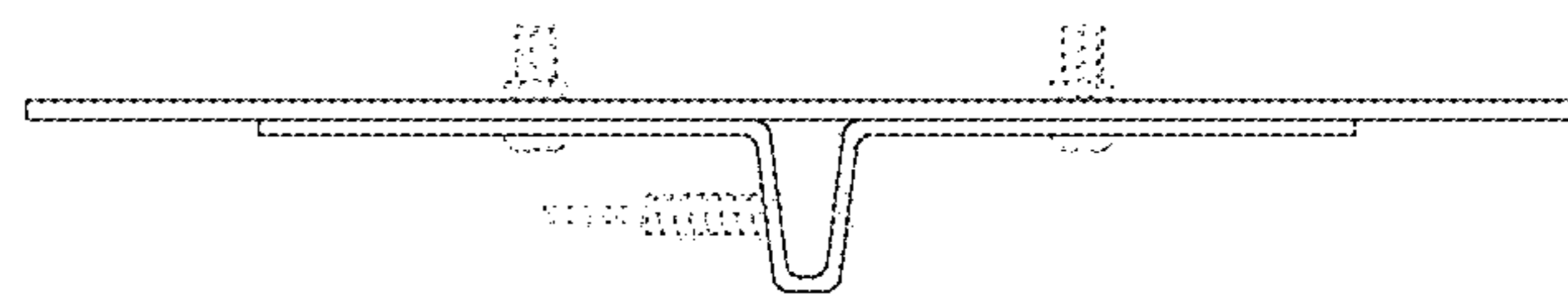


FIG. 4

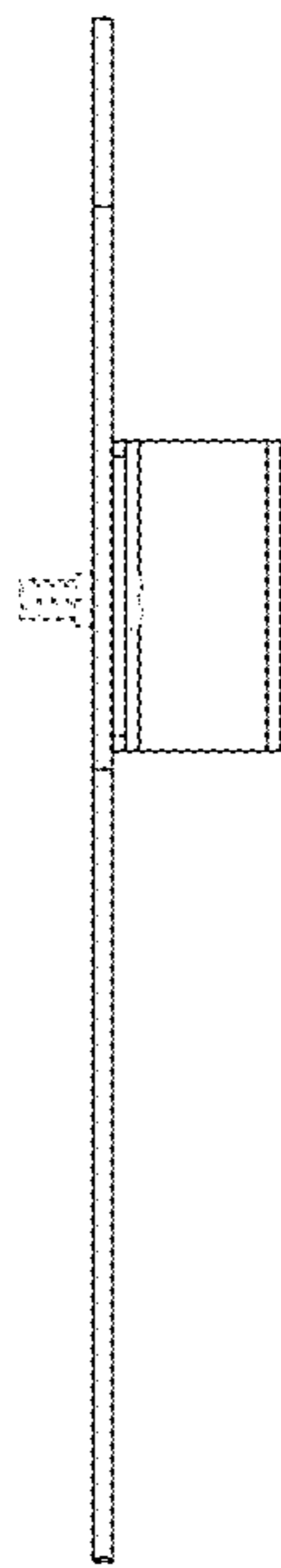


FIG. 5

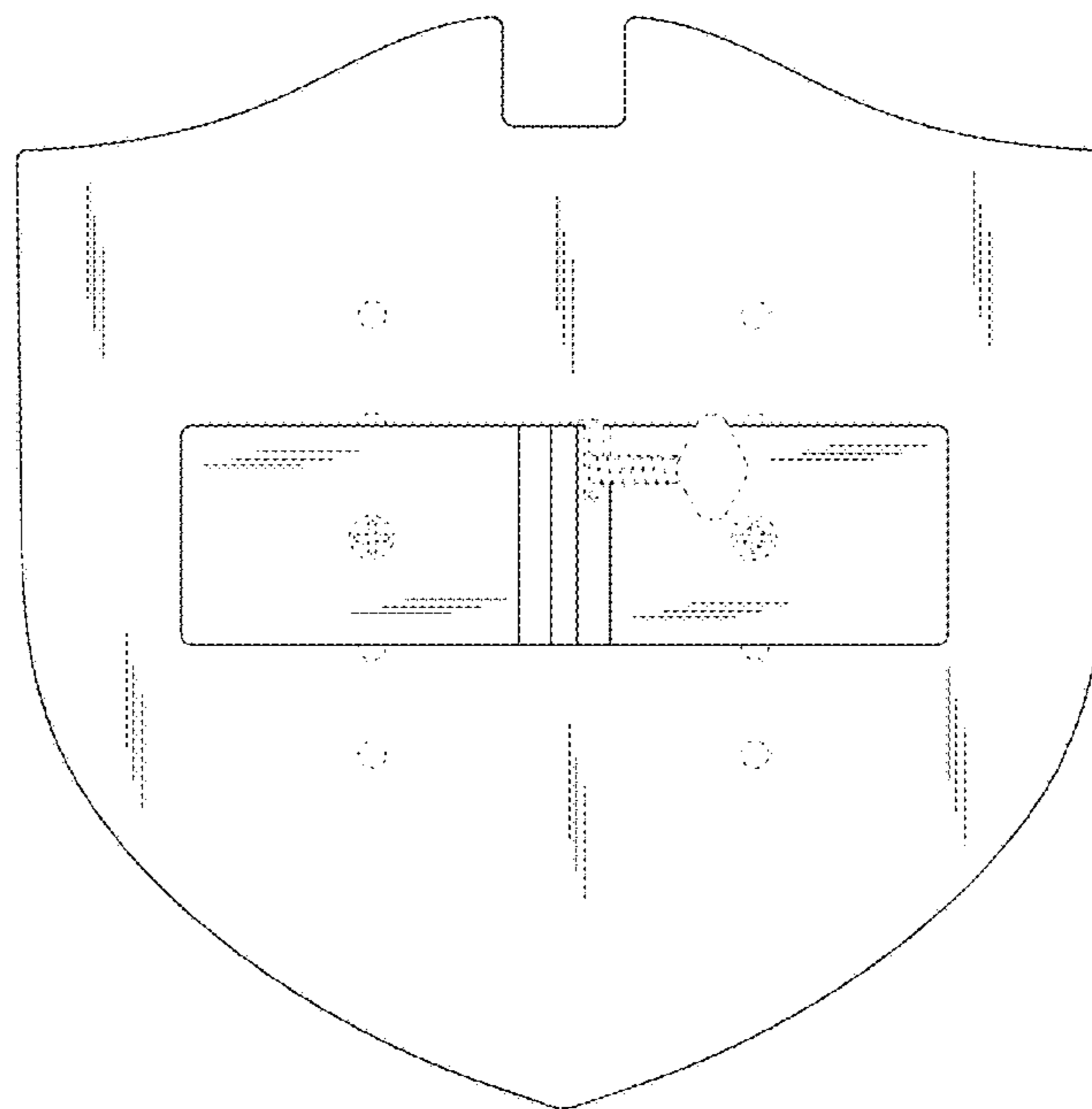


FIG. 6

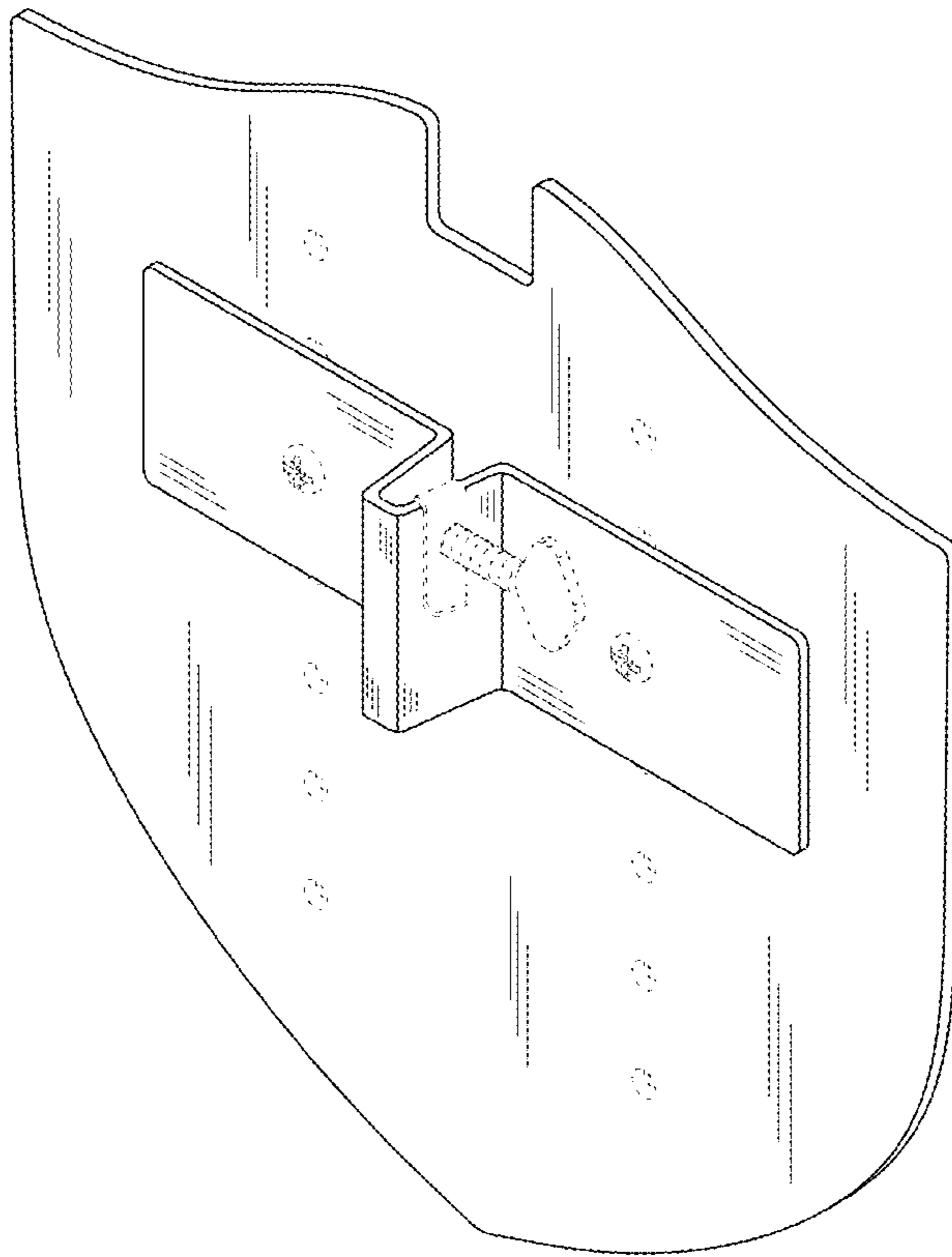


FIG. 7

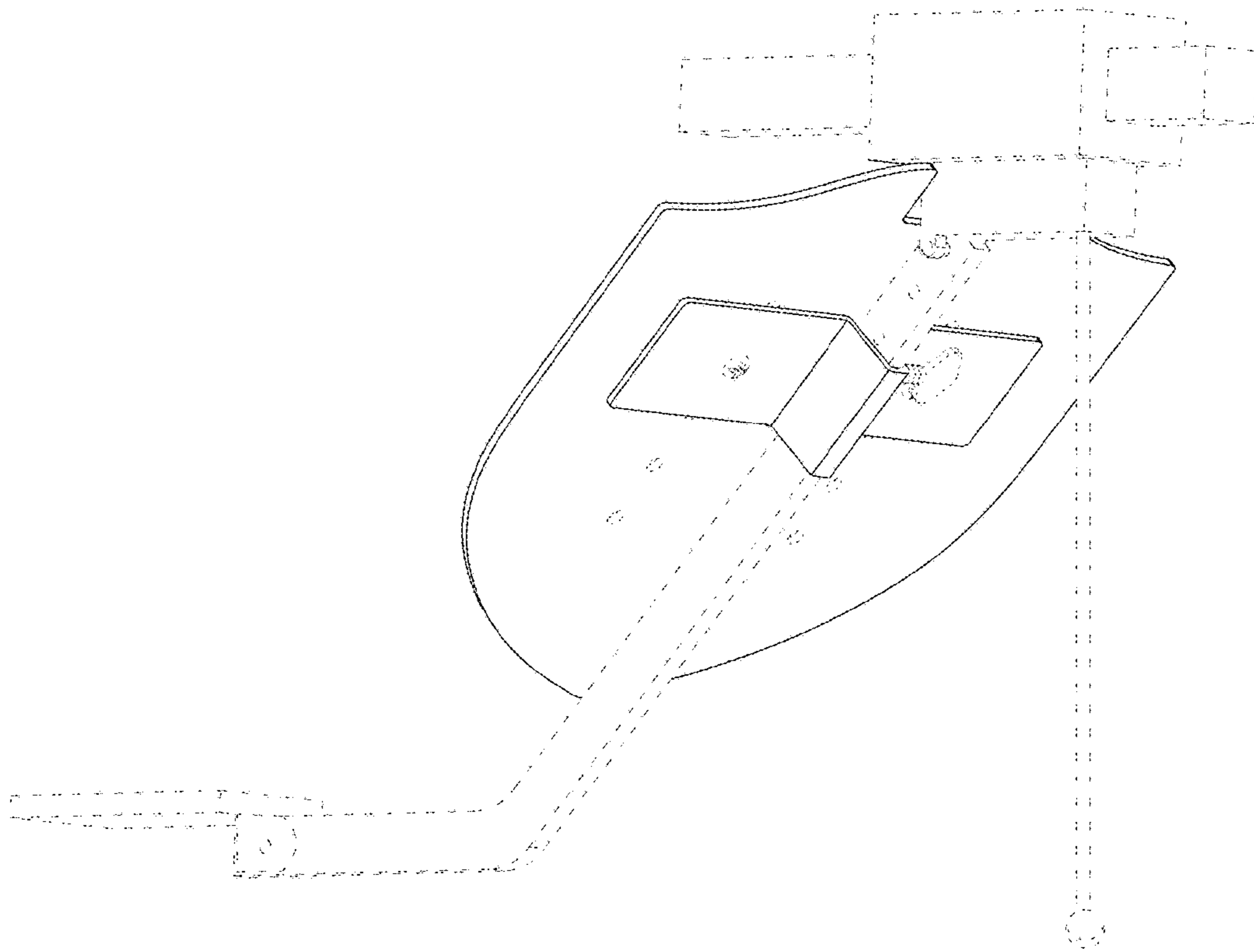


FIG. 8

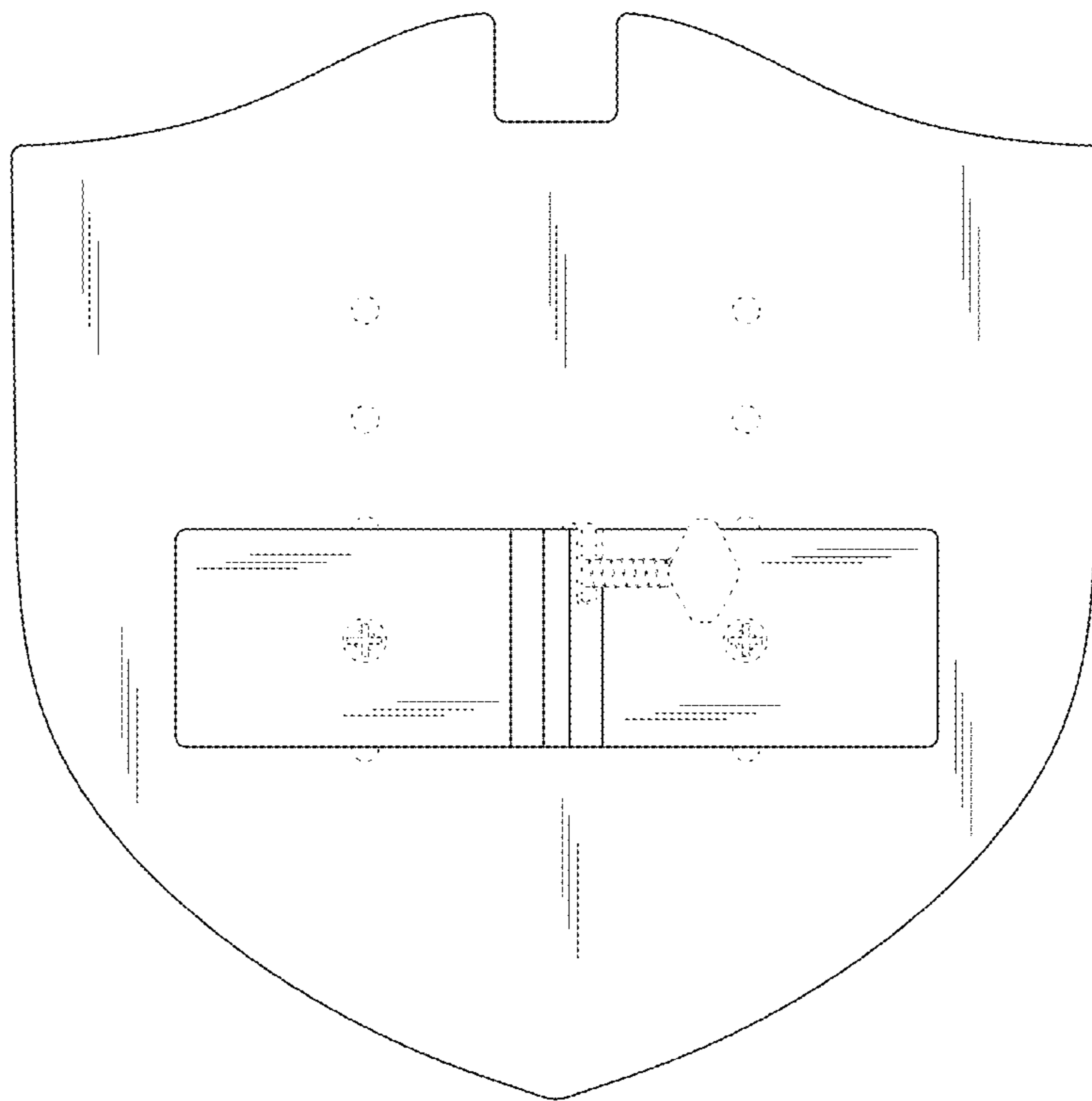


FIG. 9