



US00D786040S

(12) **United States Design Patent**
Lipscomb et al.

(10) **Patent No.:** **US D786,040 S**

(45) **Date of Patent:** **** May 9, 2017**

(54) **CUTTING DEVICE**

(71) Applicant: **Fiskars Brands, Inc.**, Madison, WI (US)

(72) Inventors: **Daniel J. Lipscomb**, Prairie Du Sac, WI (US); **Daniel Cunningham**, Edgerton, WI (US); **Alexander J. Huesman**, Madison, WI (US)

(73) Assignee: **Fiskars Brands, Inc.**, Middleton, WI (US)

(**) Term: **15 Years**

(21) Appl. No.: **29/554,824**

(22) Filed: **Feb. 16, 2016**

(51) **LOC (10) Cl.** **08-03**

(52) **U.S. Cl.**
USPC **D8/57**

(58) **Field of Classification Search**
USPC D8/4, 5, 51-58
CPC B26B 13/00; B26B 13/06; B26B 13/12
See application file for complete search history.

(56) **References Cited**

U.S. PATENT DOCUMENTS

D331,355 S * 12/1992 Viemeister D8/57
D339,725 S 9/1993 Birkholz

5,377,412 A 1/1995 Schofield et al.
D450,553 S * 11/2001 Chien D7/693
D450,987 S * 11/2001 Chien D7/693
D460,333 S * 7/2002 Carpenter D8/57
D557,094 S * 12/2007 Raia D8/53
D584,122 S * 1/2009 Caroca D8/57
D623,917 S * 9/2010 Goetz D8/57
D646,944 S * 10/2011 Bhasin D8/57
D651,493 S * 1/2012 Bhasin D8/57
D718,593 S * 12/2014 Roberts D8/57
2007/0144015 A1 6/2007 Peterson et al.

* cited by examiner

Primary Examiner — Deanna L Pratt

(74) *Attorney, Agent, or Firm* — Foley & Lardner LLP

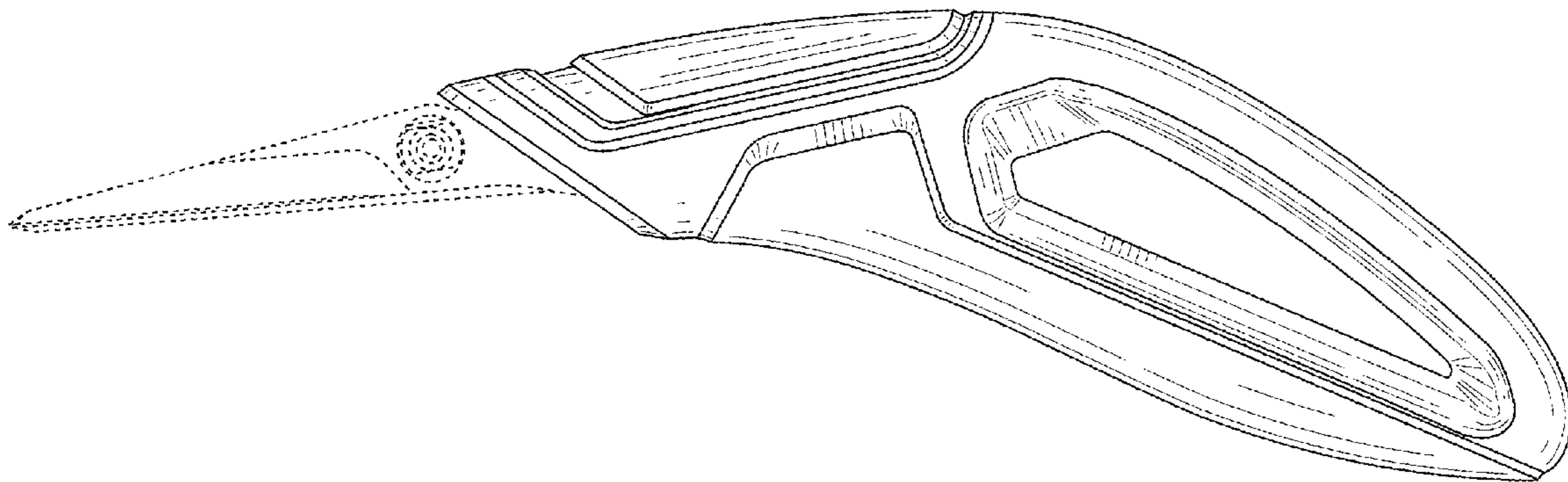
(57) **CLAIM**

We claim the ornamental design for a cutting device, as shown and described.

DESCRIPTION

FIG. 1 is an isometric view of a cutting device;
FIG. 2 is a front elevational view thereof;
FIG. 3 is a rear elevational view thereof;
FIG. 4 is a left side elevational view thereof;
FIG. 5 is a top plan view thereof;
FIG. 6 is a right side elevational view thereof; and,
FIG. 7 is a bottom plan view thereof.
The broken lines illustrate portions of the cutting device that form no part of the claimed design.

1 Claim, 7 Drawing Sheets



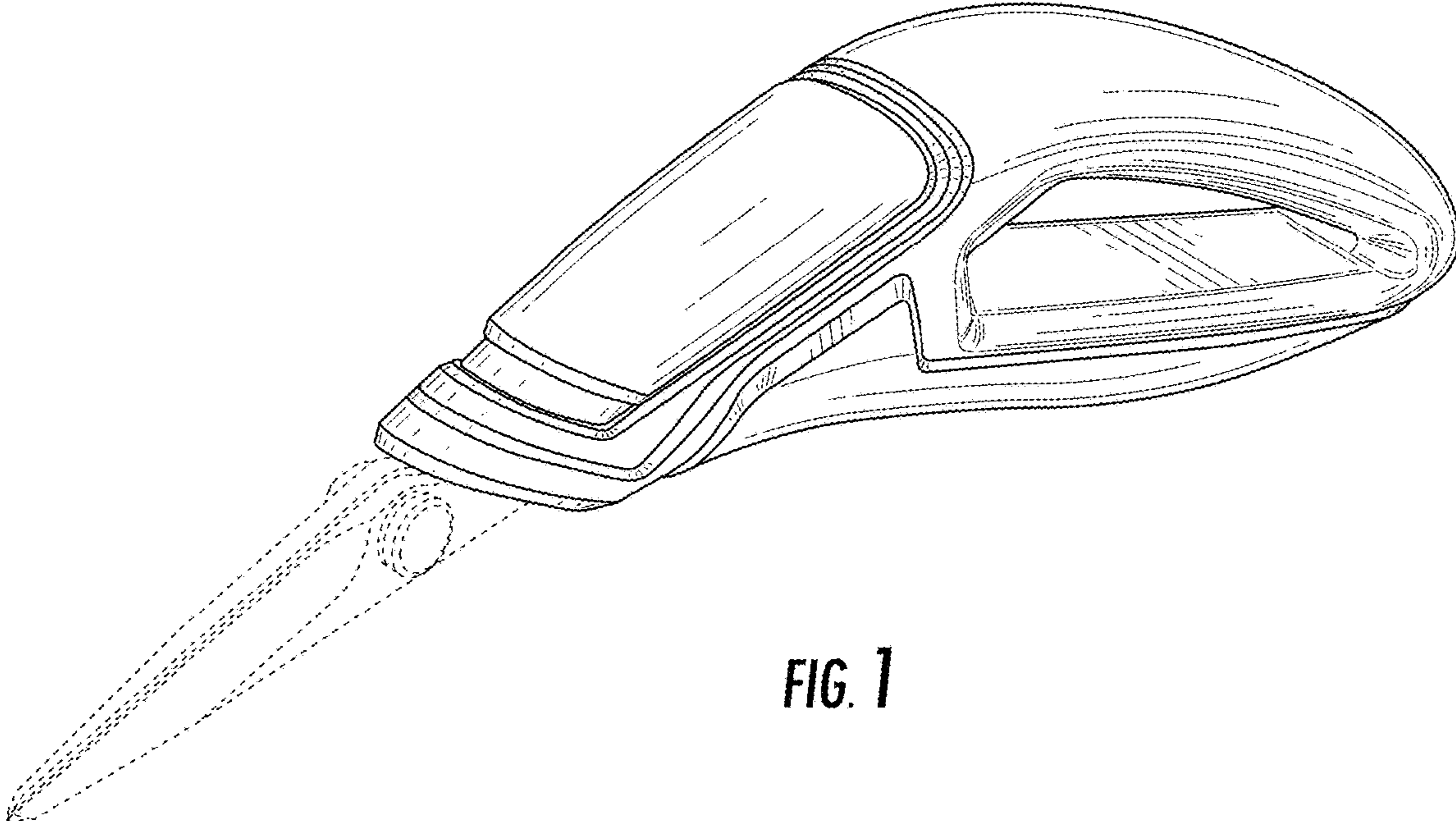


FIG. 1

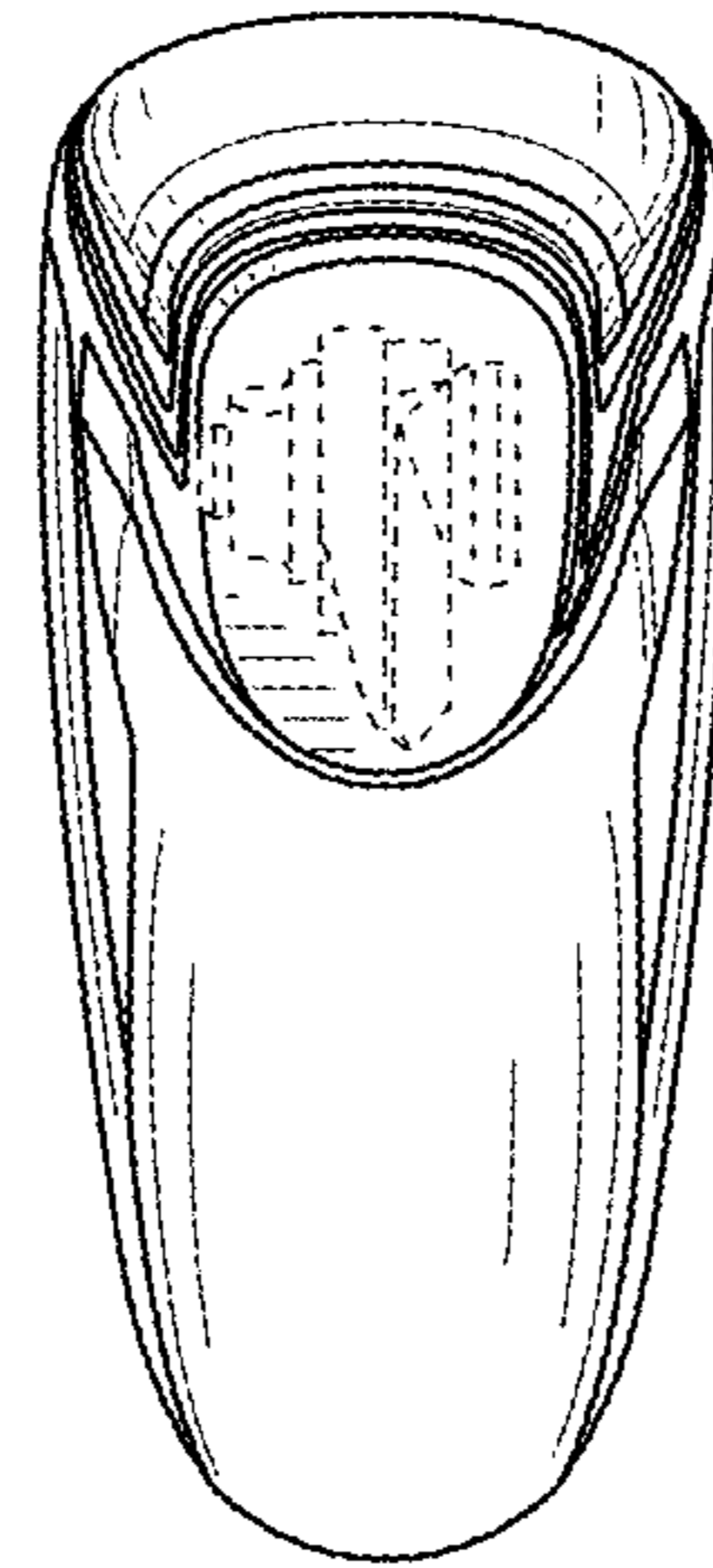


FIG. 2

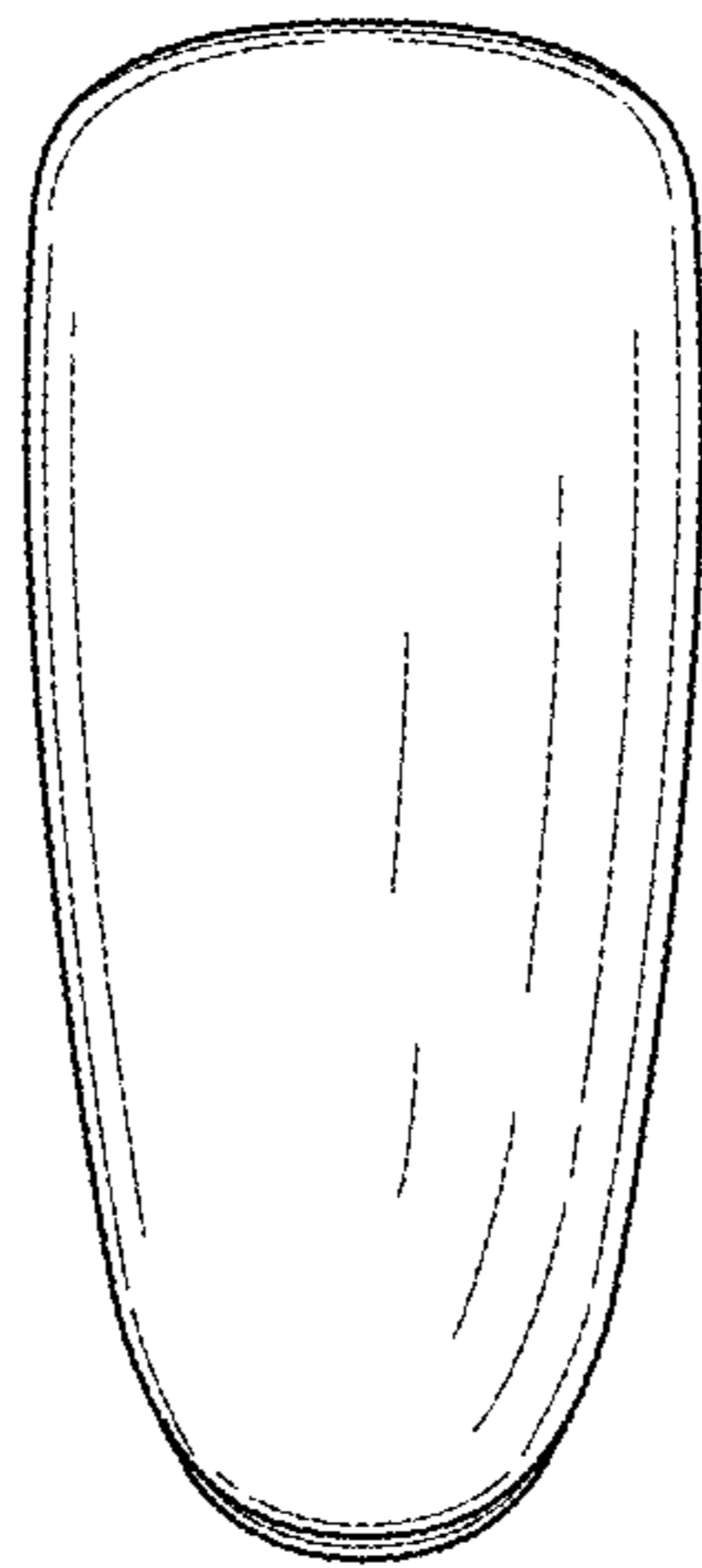


FIG. 3

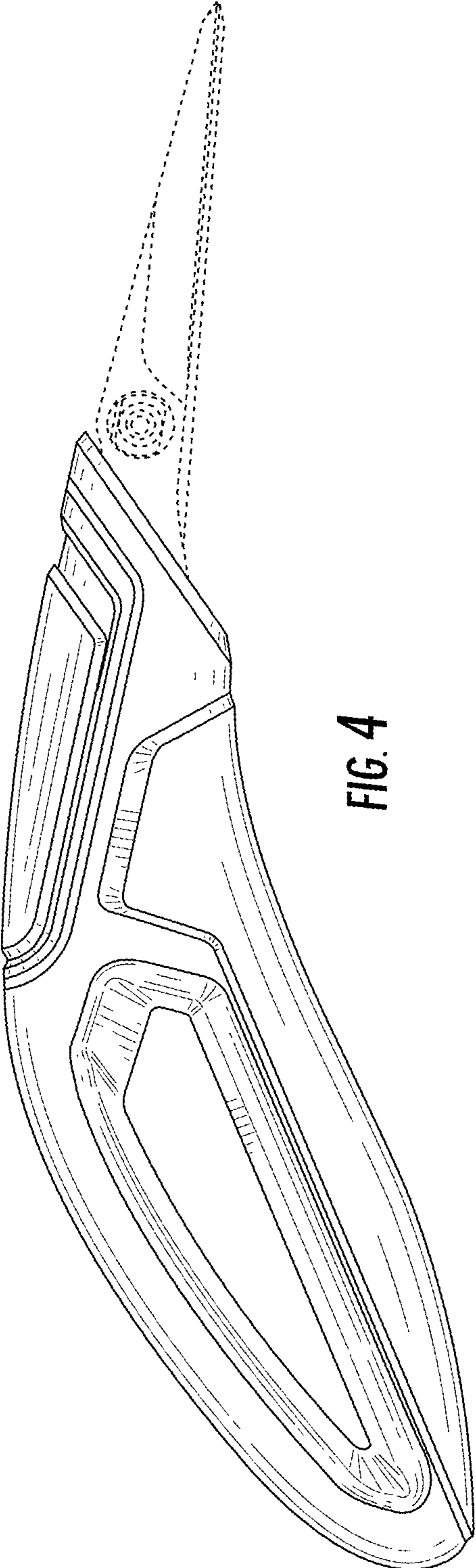


FIG. 4

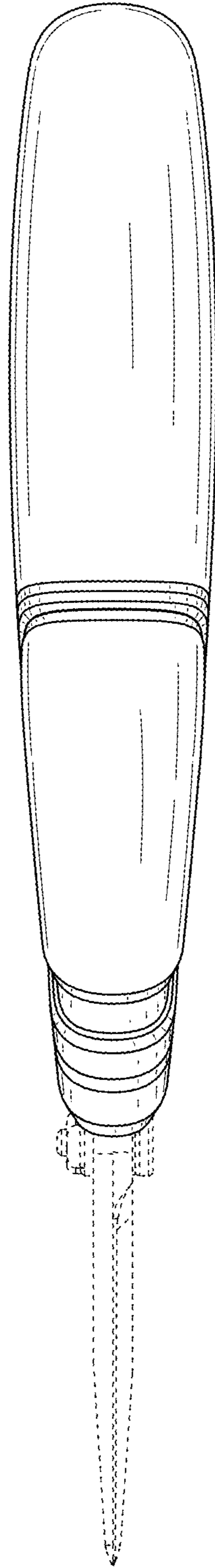


FIG. 5

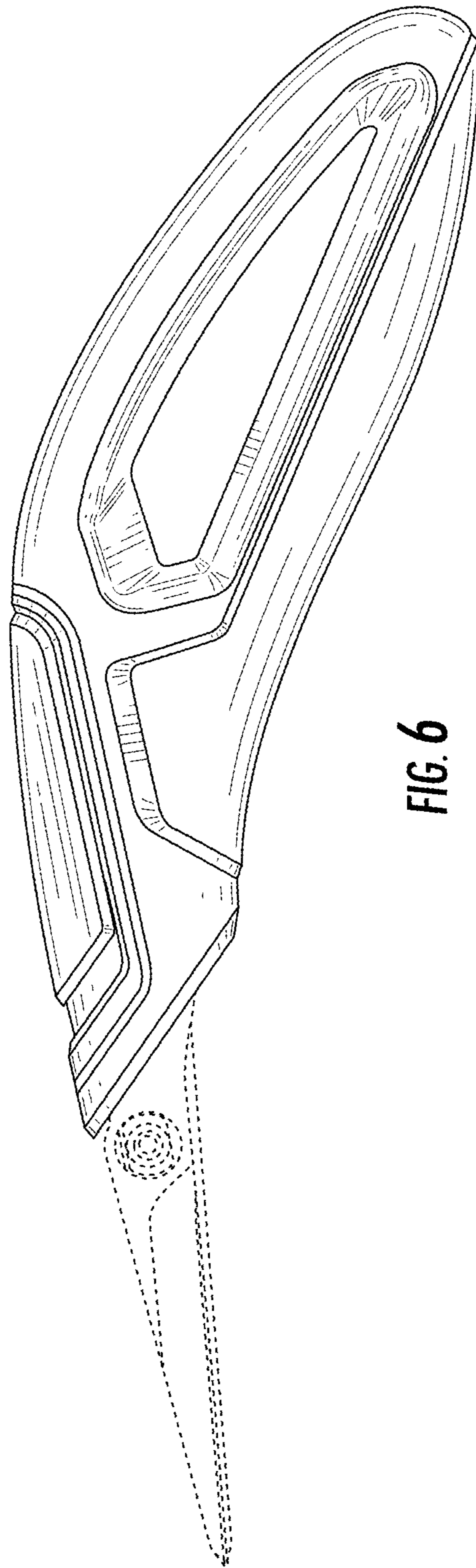


FIG. 6

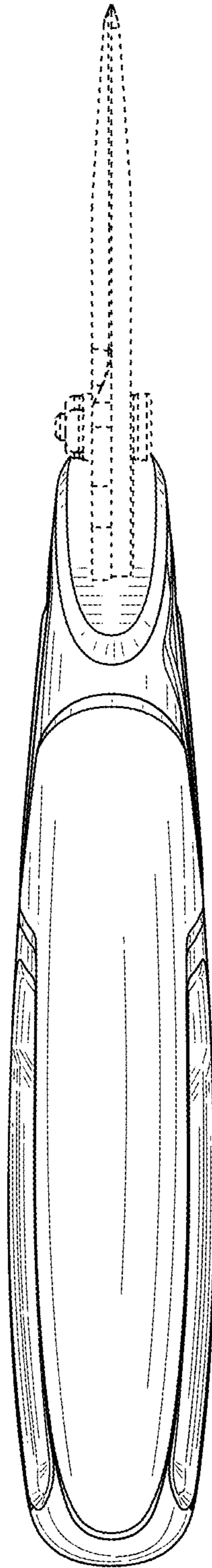


FIG. 7